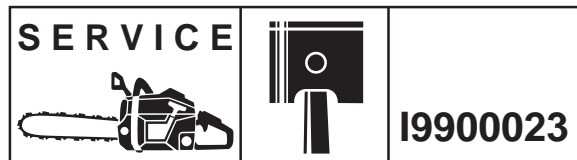


# Jonsered



IPL, 2149, 1999-05, 106 25 77-61

# 2149

**Spare parts**  
**Ersatzteile**  
**Pièces détachées**  
**Reserve onderdelen**  
**Repuestos**  
**Reservdelar**

106 25 77-61

**A**

\*compl 537 01 21-01



\*503 98 74-01

503 89 29-01\*\*

503 21 70-10\*\*

503 89 08-01\*\*

503 46 59-01\*\*

\*\*735 31 08-20

503 92 95-01

537 04 30-01\*\*

503 89 30-01

537 02 99-01

\*\*

503 89 30-01

\*\*compl 503 99 70-01

503 85 52-01\*\*

503 89 07-02\*\*

\*\*537 00 63-01

(x2) 503 22 00-01

503 21 70-10\*\* (x4)

\*\*503 85 66-01

503 21 70-10\*\*

**B**

\*compl 503 89 17-01

\*\*compl 503 89 17-02 (US only)

503 81 56-01 503 81 59-01

503 21 74-12

\*503 89 13-01

\*503 23 00-60

503 89 21-02 (.325x7 RIM)

503 89 16-01\*

\*

503 89 15-01\*

503 89 14-01\*

537 02 71-01\*\*

721 11 64-30\*

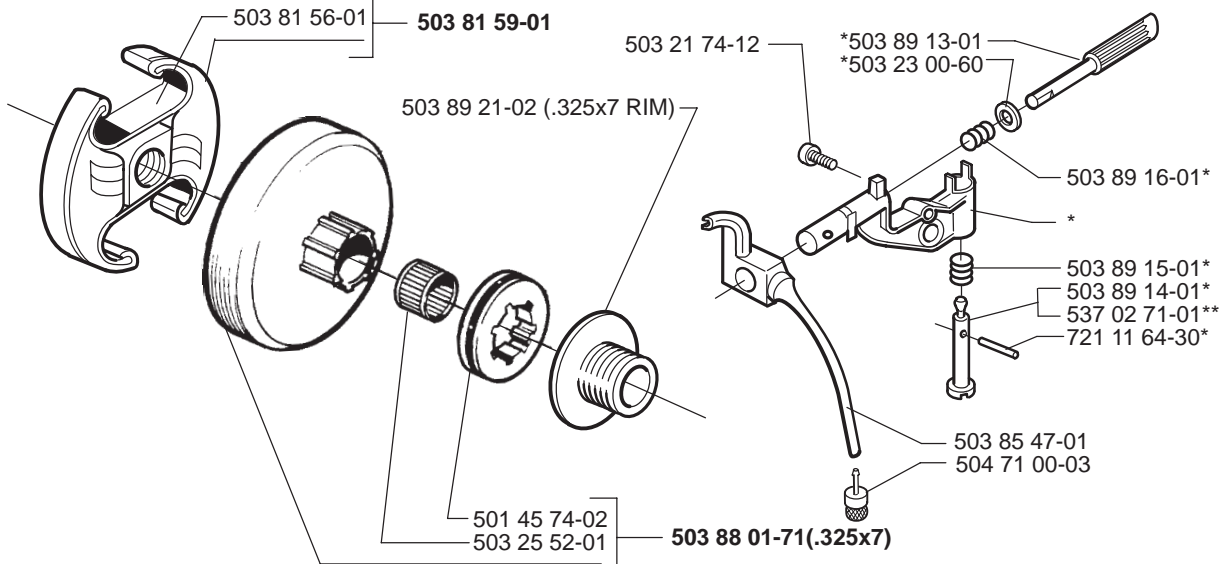
503 85 47-01

504 71 00-03

501 45 74-02

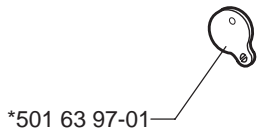
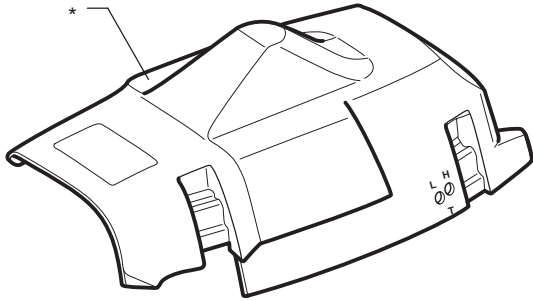
503 25 52-01

503 88 01-71(.325x7)

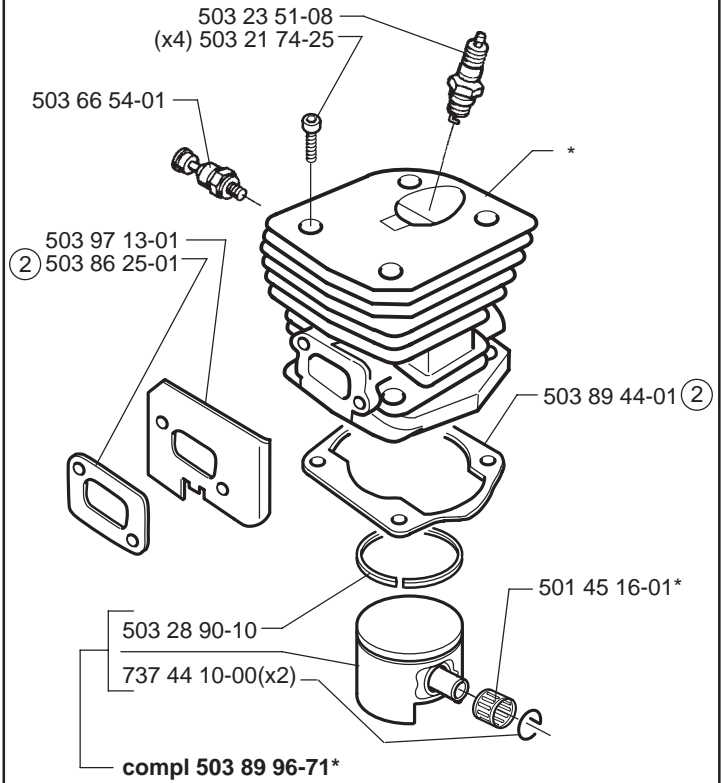


**C**

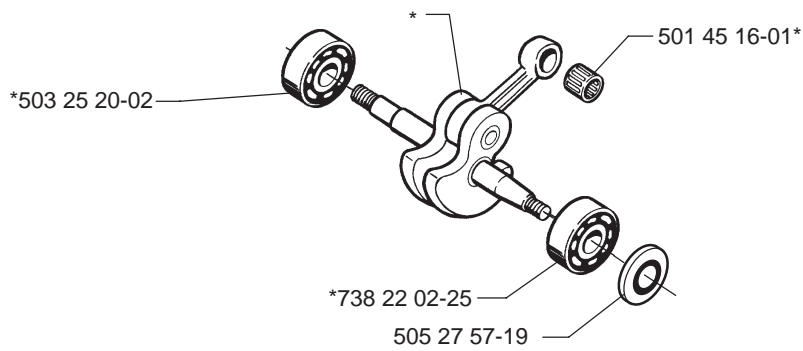
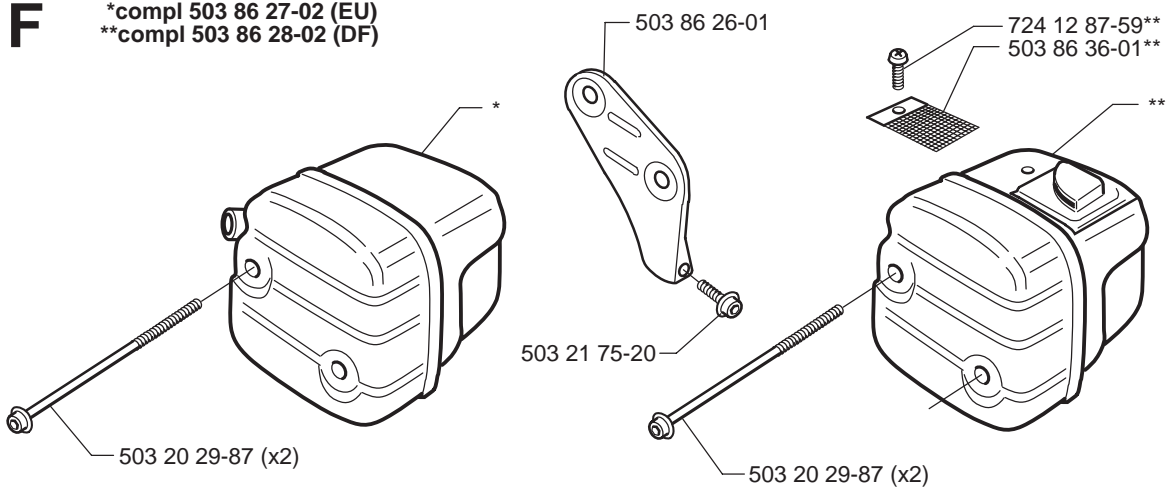
\*compl 537 03 32-01

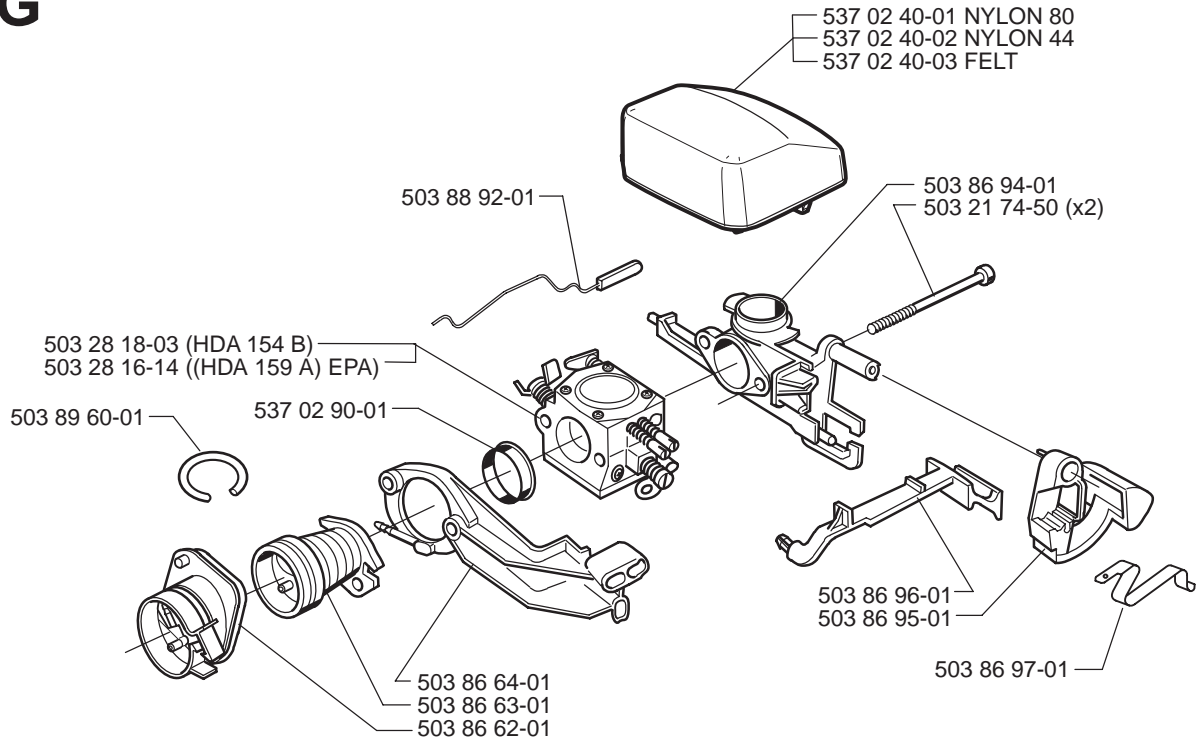
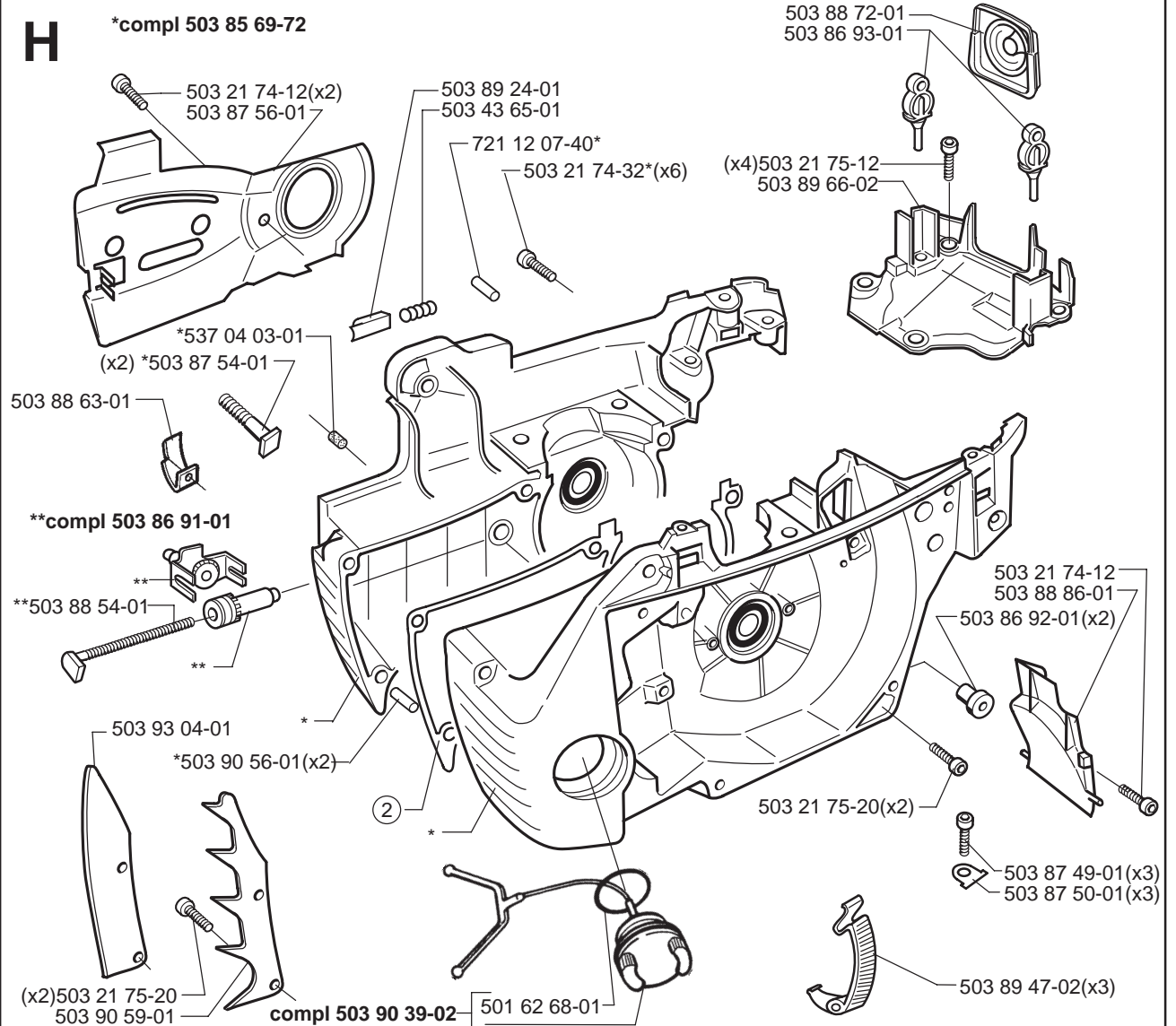
**D**

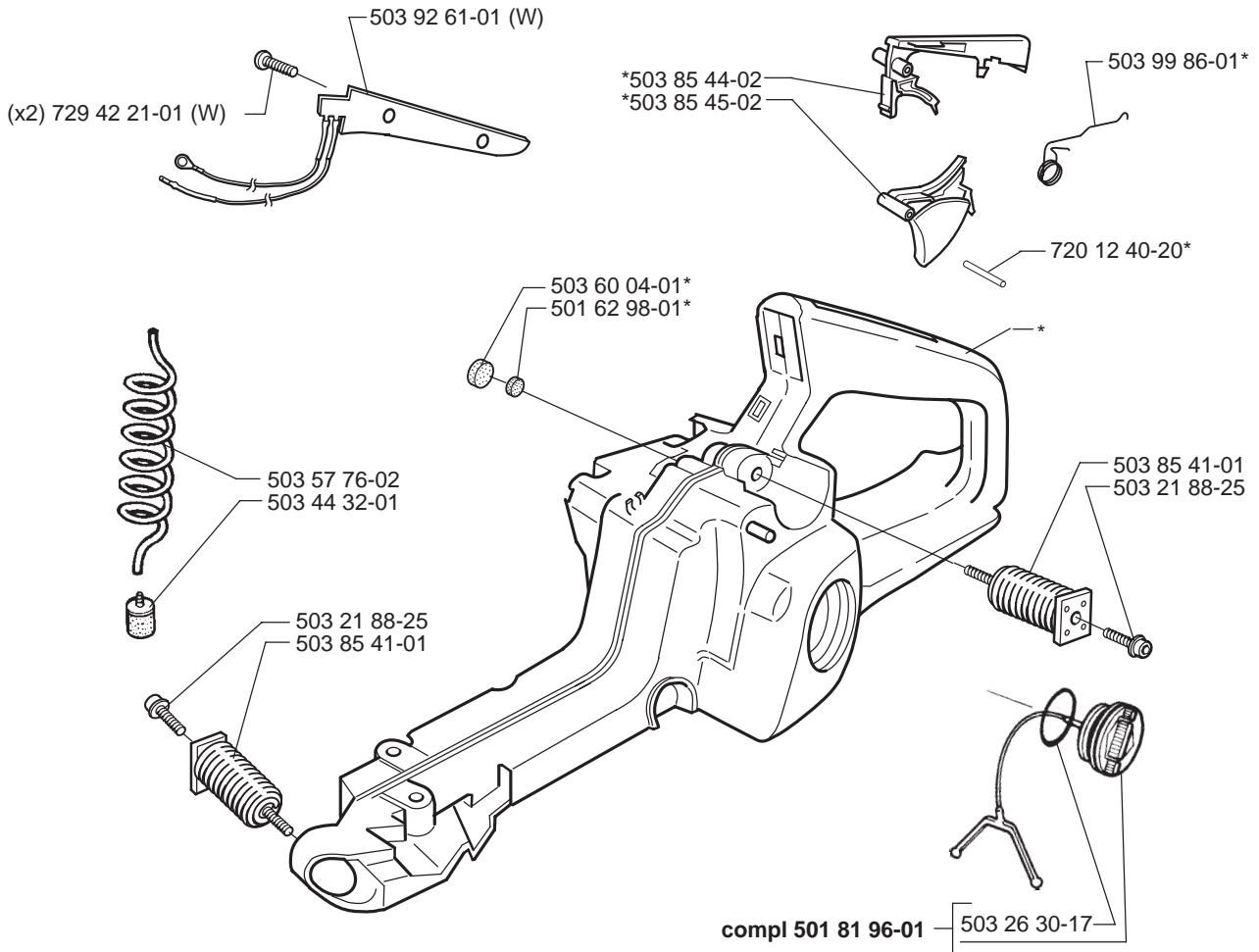
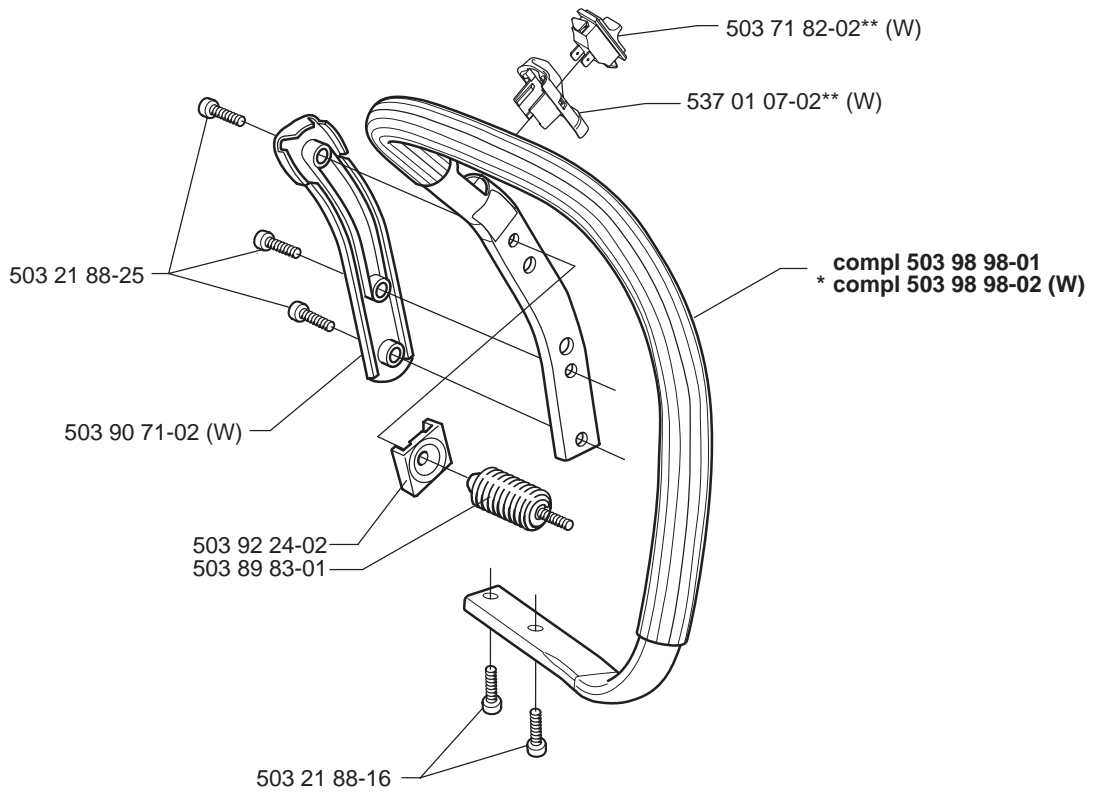
\*compl 503 86 99-71

**E**

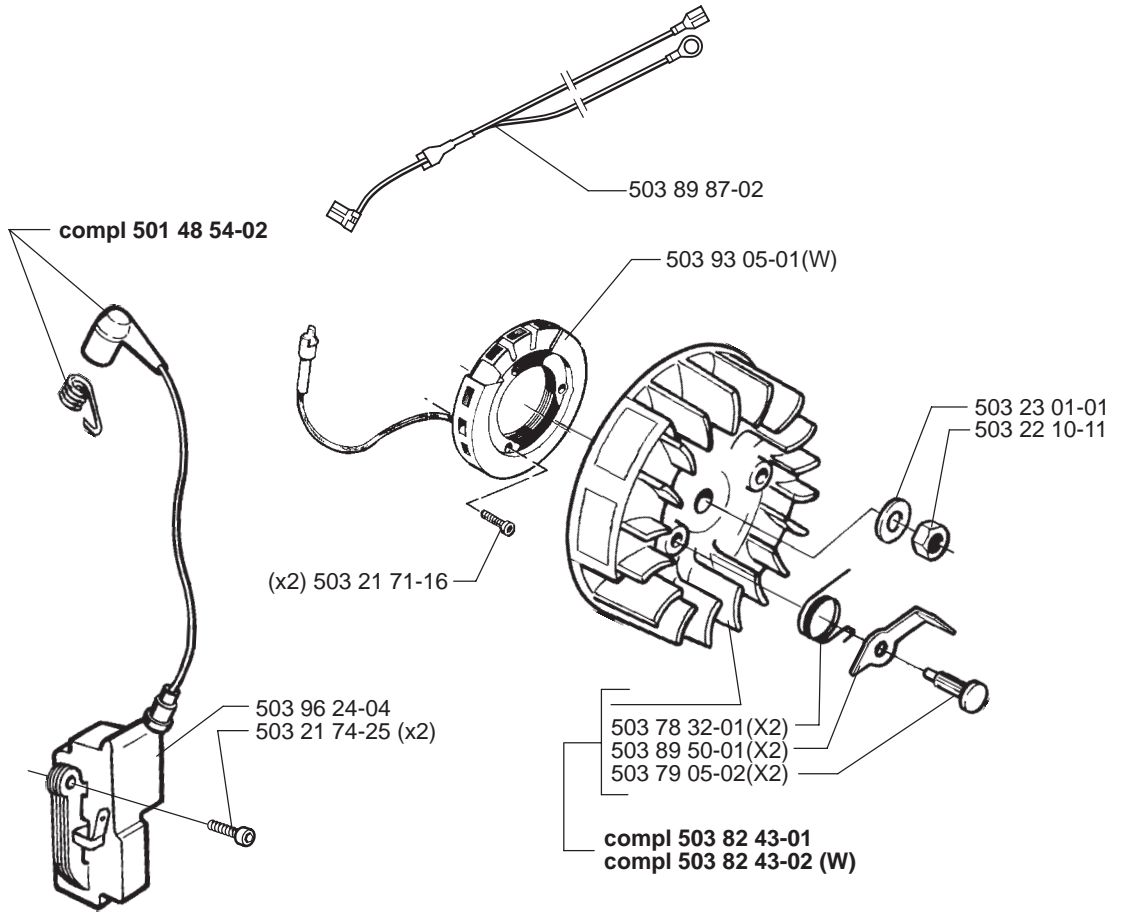
\*compl 503 85 76-71

**F**\*compl 503 86 27-02 (EU)  
\*\*compl 503 86 28-02 (DF)

**G****H**

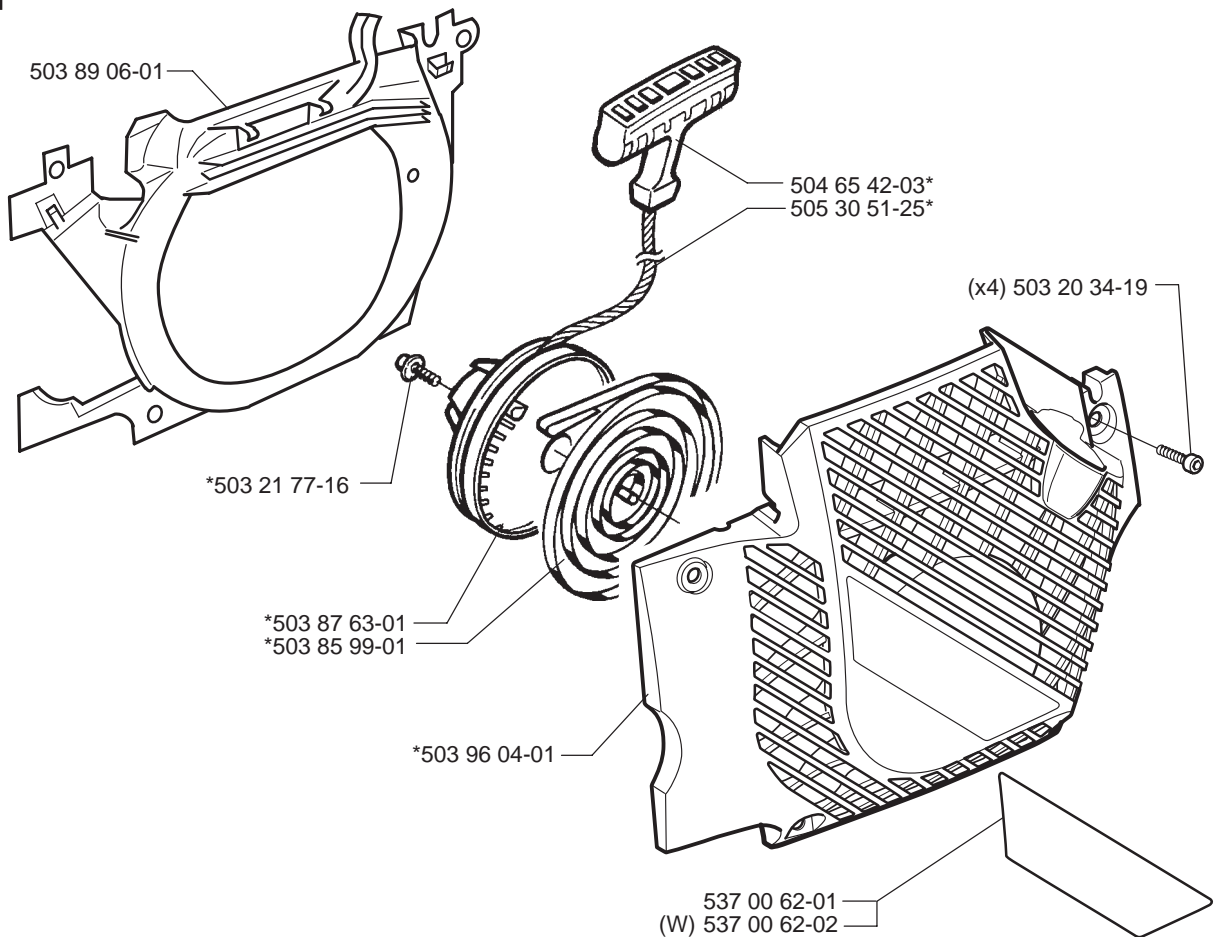
**J****\*compl 503 86 37-72****K**

**L**

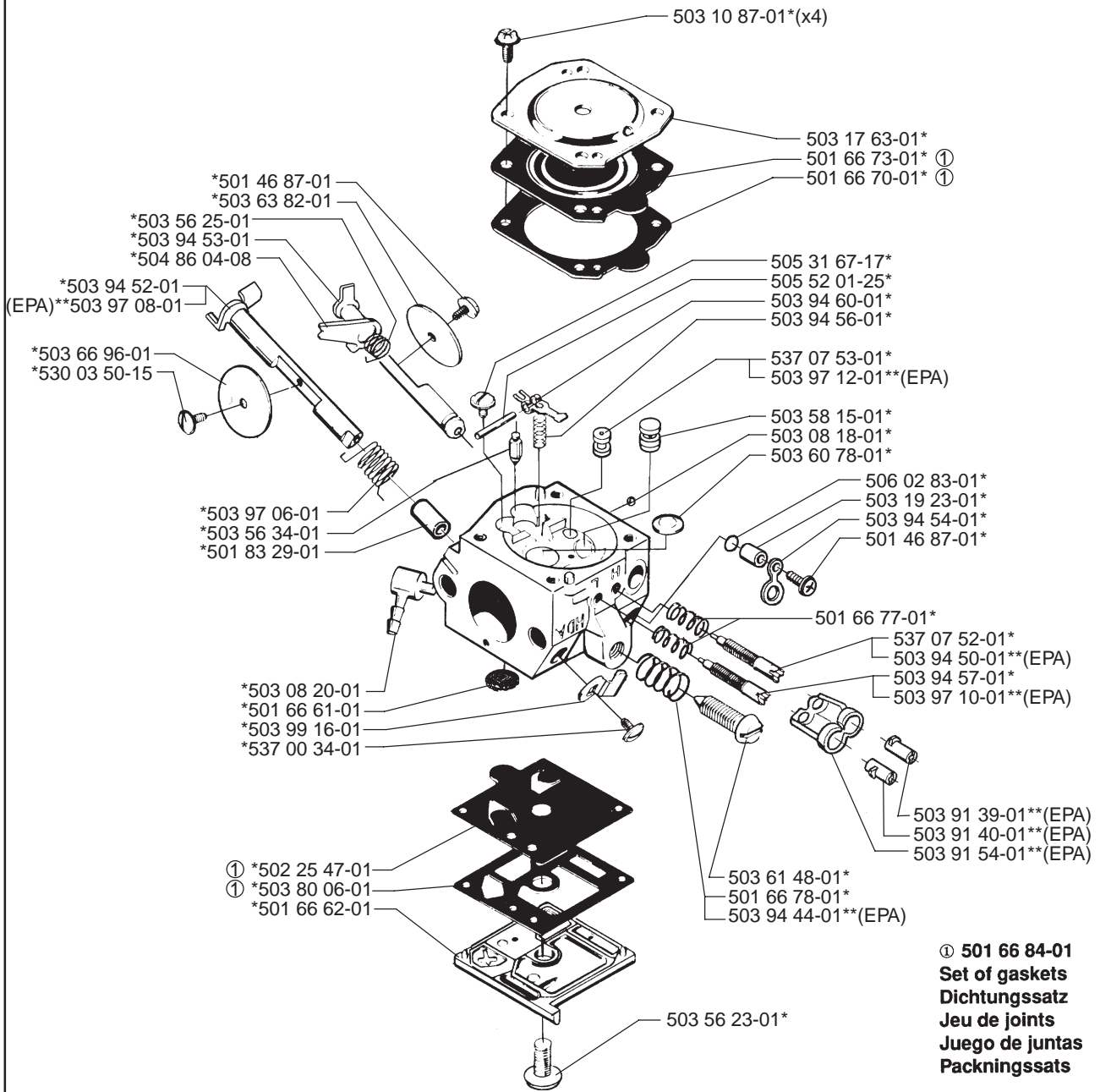


**M**

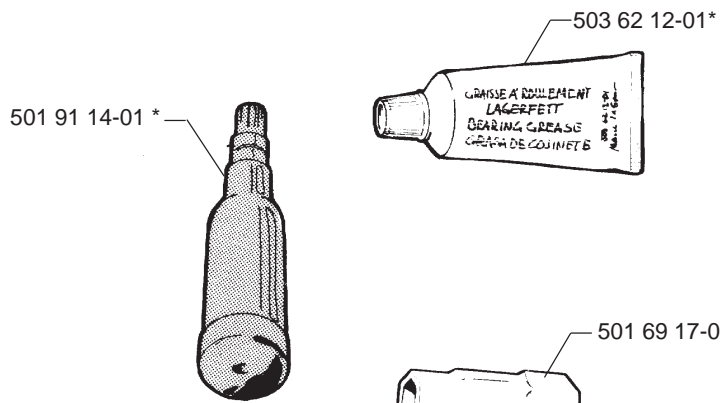
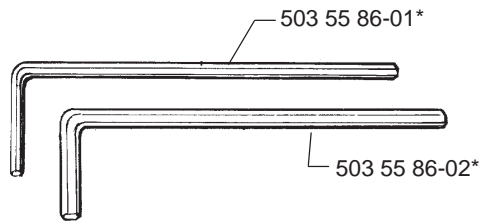
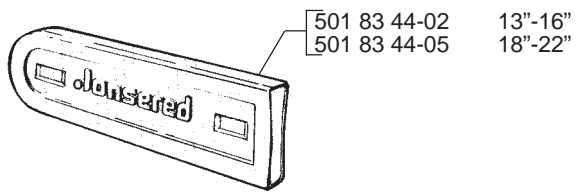
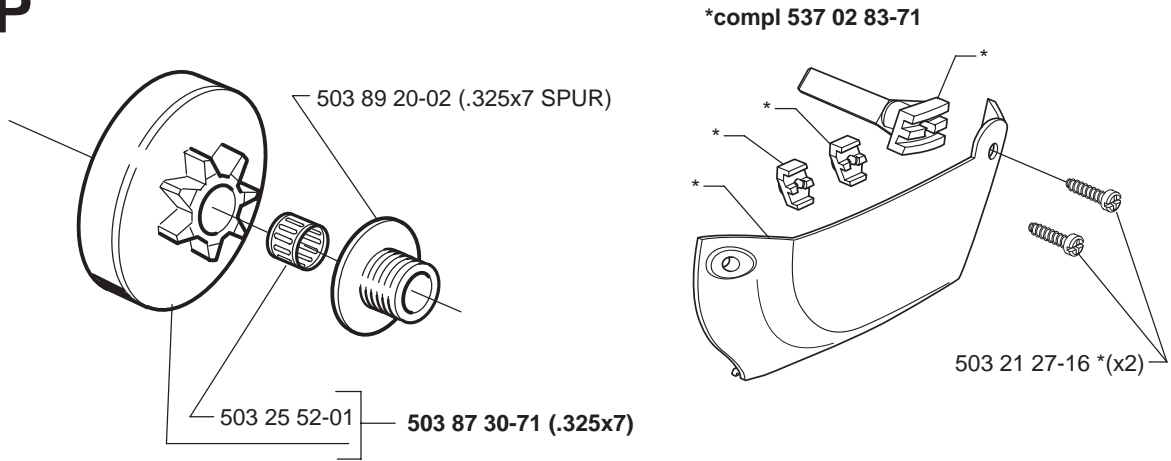
\*compl 503 99 58-01



**N** \*compl 503 28 18-03 Walbro HDA 154 B  
 \*\*compl 503 28 16-14 Walbro HDA 159 A (EPA)



**P**



\* compl 503 55 85-01



MODEL 2149

PART NUMBER	SQUARE NOTE	PART NUMBER	SQUARE NOTE	PART NUMBER	SQUARE NOTE	PART NUMBER	SQUARE NOTE
501 45 16-01	D,E	503 71 82-02	K N W	503 90 59-01	H N		
501 45 74-02	B	503 78 32-01	L	503 90 71-02	K N W		
501 46 87-01	N	503 79 05-02	L N	503 91 39-01	N N EPA		
501 48 54-02	L	503 80 06-01	N 1	503 91 40-01	N N EPA		
501 62 68-01	H	503 81 56-01	B N	503 91 54-01	N N EPA		
501 62 98-01	J	503 81 59-01	B N	503 92 24-02	K N		
501 63 97-01	C	503 82 43-01	L N	503 92 61-01	J N W		
501 66 61-01	N	503 82 43-02	L N W	503 92 95-01	A N		
501 66 62-01	N	503 85 41-01	J N	503 93 04-01	H N		
501 66 70-01	N 1	503 85 44-02	J N	503 93 05-01	L N W		
501 66 73-01	N 1	503 85 45-02	J N	503 94 28-01	N 2		
501 66 77-01	N	503 85 47-01	B N	503 94 44-01	N N EPA		
501 66 78-01	N	503 85 52-01	A N	503 94 50-01	N N EPA		
501 66 84-01	N 1	503 85 66-01	A N	503 94 52-01	N N		
501 69 17-01	P	503 85 69-72	H N	503 94 53-01	N N		
501 81 96-01	J	503 85 76-71	E N	503 94 54-01	N N		
501 83 29-01	N	503 85 99-01	M N	503 94 56-01	N N		
501 83 44-02	P	503 86 25-01	D N 2	503 94 57-01	N N		
501 83 44-05	P	503 86 26-01	F N	503 94 60-01	N N		
501 91 14-01	P	503 86 27-02	F N	503 96 04-01	M N		
502 25 47-01	N 1	503 86 28-02	F N	503 96 24-04	L N		
503 08 18-01	N	503 86 36-01	F N	503 97 06-01	N N		
503 08 20-01	N	503 86 37-72	J N	503 97 08-01	N N EPA		
503 10 87-01	N	503 86 62-01	G N	503 97 10-01	N N EPA		
503 17 63-01	N	503 86 63-01	G N	503 97 12-01	N N EPA		
503 19 23-01	N	503 86 64-01	G N	503 97 13-01	D N		
503 20 29-87	F N	503 86 91-01	H N	503 98 74-01	A N		
503 20 34-19	M	503 86 92-01	H N	503 98 98-01	K N		
503 21 27-16	P	503 86 93-01	H N	503 98 98-02	K N W		
503 21 70-10	A N	503 86 94-01	G N	503 99 16-01	N N		
503 21 71-16	L	503 86 95-01	G N	503 99 58-01	M N		
503 21 74-12	B,H N	503 86 96-01	G N	503 99 70-01	A N		
503 21 74-25	D,L N	503 86 97-01	G N	503 99 86-01	J N		
503 21 74-32	H N	503 86 99-71	D N	504 65 42-03	M		
503 21 74-50	G N	503 87 30-71	P N	504 71 00-03	B		
503 21 75-12	H N	503 87 49-01	H N	504 86 04-08	N		
503 21 75-20	F,H N	503 87 50-01	H N	505 27 57-19	E		
503 21 77-16	M N	503 87 54-01	H N	505 30 51-25	M		
503 21 88-16	K N	503 87 56-01	H N	505 31 67-17	N		
503 21 88-20	J N	503 87 63-01	M N	505 52 01-25	N		
503 21 88-25	K N	503 88 01-71	B N	506 02 83-01	N		
503 22 00-01	A	503 88 54-01	H N	530 03 50-15	N		
503 22 10-11	L	503 88 63-01	H N	537 00 34-01	N N		
503 23 00-60	B N	503 88 72-01	H N	537 00 62-01	M N		
503 23 01-01	L	503 88 86-01	H N	537 00 62-02	M N W		
503 23 51-08	D	503 88 92-01	G N	537 00 63-01	A N		
503 25 20-02	E N	503 89 06-01	M N	537 01 07-02	K N W		
503 25 52-01	B,P N	503 89 07-02	A N	537 01 21-01	A N		
503 26 30-17	J	503 89 08-01	A N	537 02 40-01	G N		
503 28 16-14	G,N N EPA	503 89 13-01	B N	537 02 40-02	G N		
503 28 18-03	G,N N	503 89 14-01	B N	537 02 40-03	G N		
503 28 90-10	D N	503 89 15-01	B N	537 02 71-01	B N		
503 43 65-01	H	503 89 16-01	B N	537 02 83-71	P N		
503 44 32-01	J	503 89 17-01	B N	537 02 90-01	G N		
503 46 59-01	A	503 89 17-02	B N	537 02 99-01	A N		
503 55 85-01	P	503 89 20-02	P N	537 03 32-01	C N		
503 55 86-01	P	503 89 21-02	B N	537 04 03-01	H N		
503 55 86-02	P	503 89 24-01	H N	537 04 30-01	A N		
503 56 23-01	N	503 89 29-01	A N	537 07 52-01	N N		
503 56 25-01	N	503 89 30-01	A N	537 07 53-01	N N		
503 56 34-01	N	503 89 44-01	D N 2	720 12 40-20	J N		
503 57 76-02	J	503 89 47-02	H N	721 11 64-30	B N		
503 58 15-01	N	503 89 50-01	L N	721 12 07-40	H N		
503 60 04-01	J	503 89 60-01	G N	724 12 87-59	F N		
503 60 78-01	N	503 89 66-02	H N	729 42 21-01	J N W		
503 61 48-01	N	503 89 83-01	K N	735 31 08-20	A		
503 62 12-01	P	503 89 87-02	L N	737 44 10-00	D		
503 63 82-01	N	503 89 96-71	D N	738 22 02-25	E		
503 66 54-01	D	503 90 39-02	H N				
503 66 96-01	N	503 90 56-01	H N				

1 = 501 66 84-01 Set of gaskets  
 2 = 503 94 28-01 Dichtungssatz  
 Jeu de joints  
 Juego de juntas  
 Packningssats

N = New part  
 Neues teil  
 Nouvelle piece  
 Nueva pieza  
 Ny detalj

EPA = Environmental Protection Agency  
 (for USA only)  
 W = only 2149 W (GENERATOR)