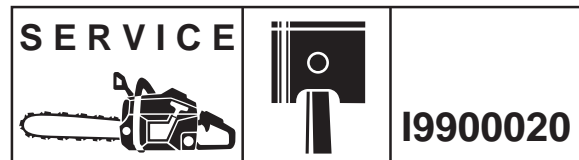


Jonsered



IPL, RS 52, 1999-04, 106 24 98-62

RS 52

Spare parts

Ersatzteile

Pièces détachées

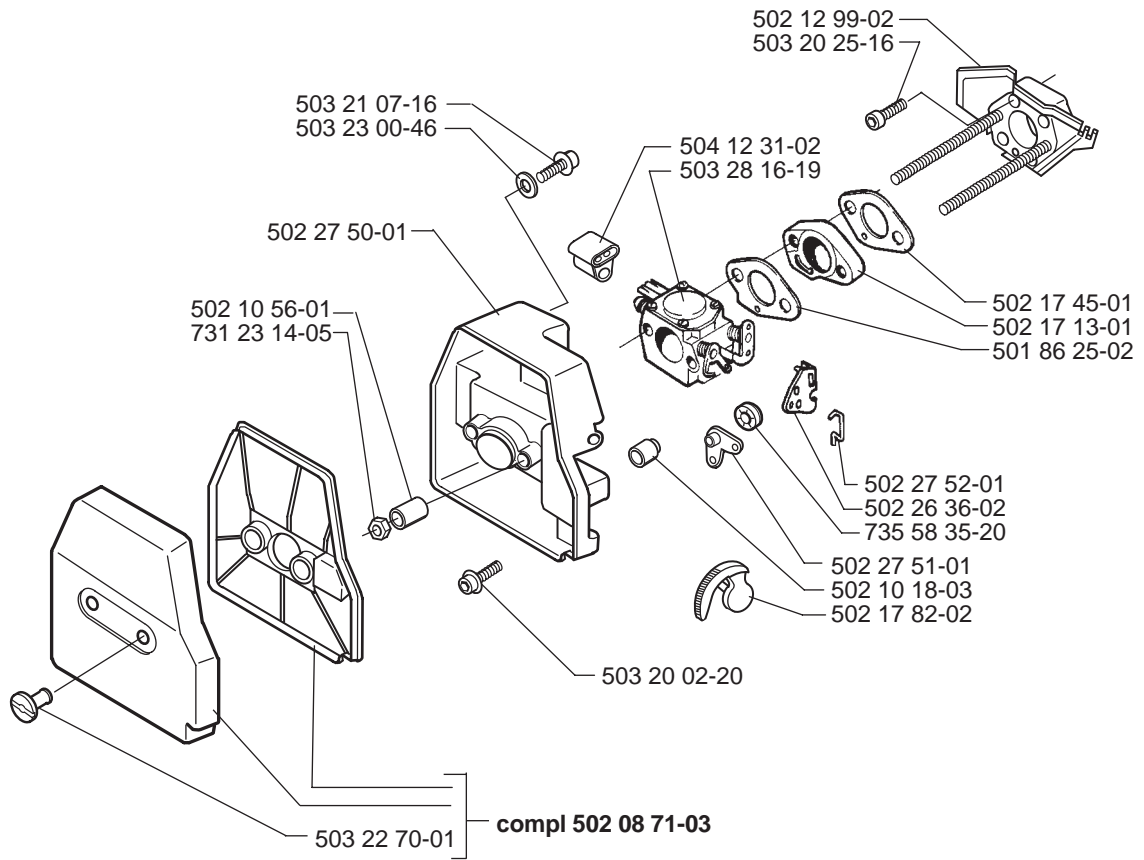
Reserve onderdelen

Repuestos

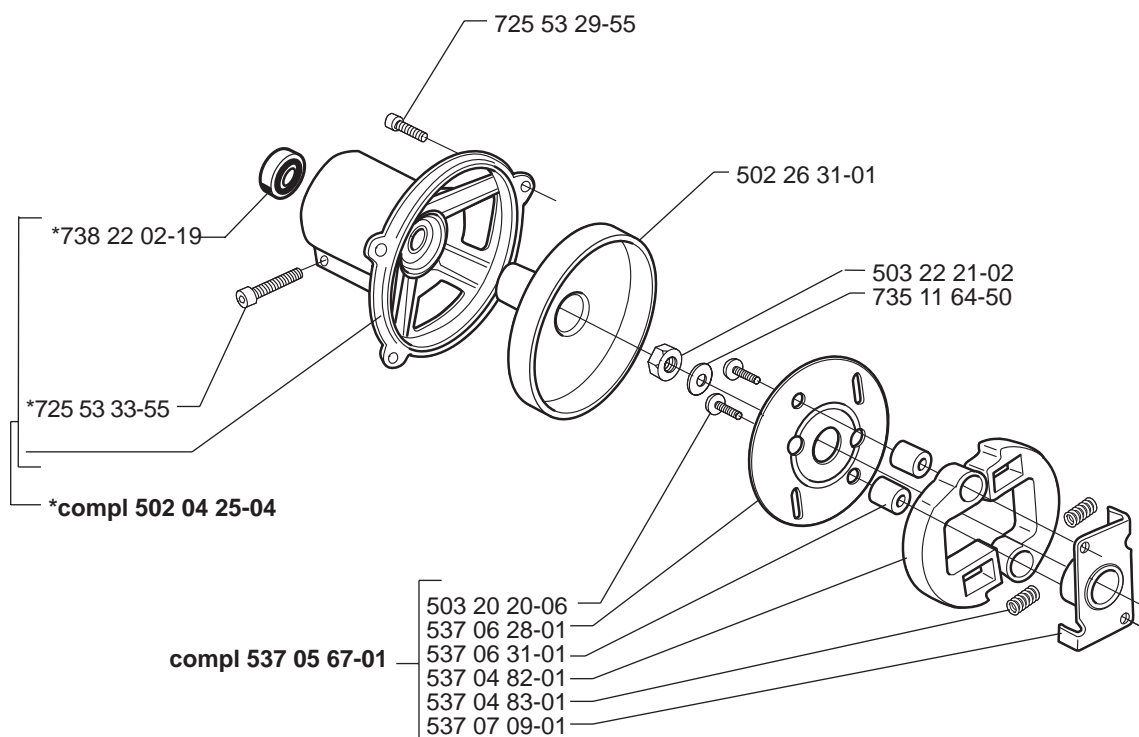
Reservdelar

106 24 98-62

A

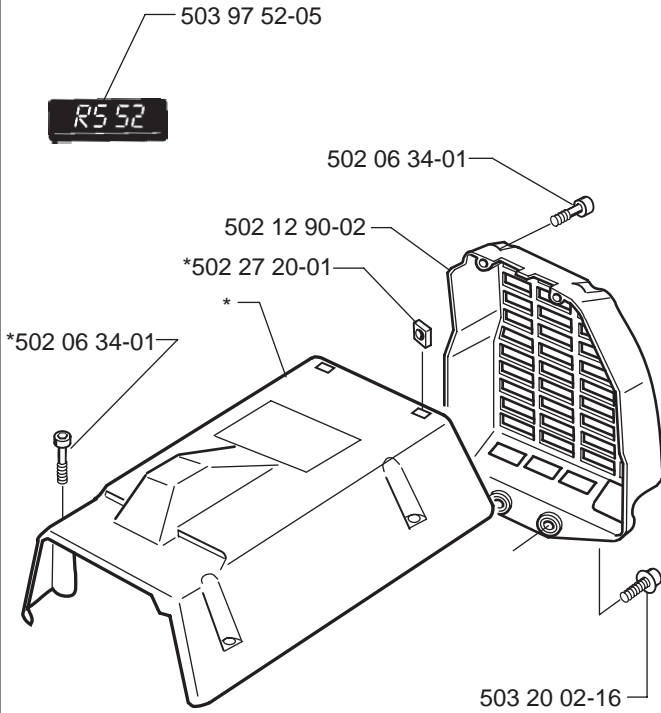


G



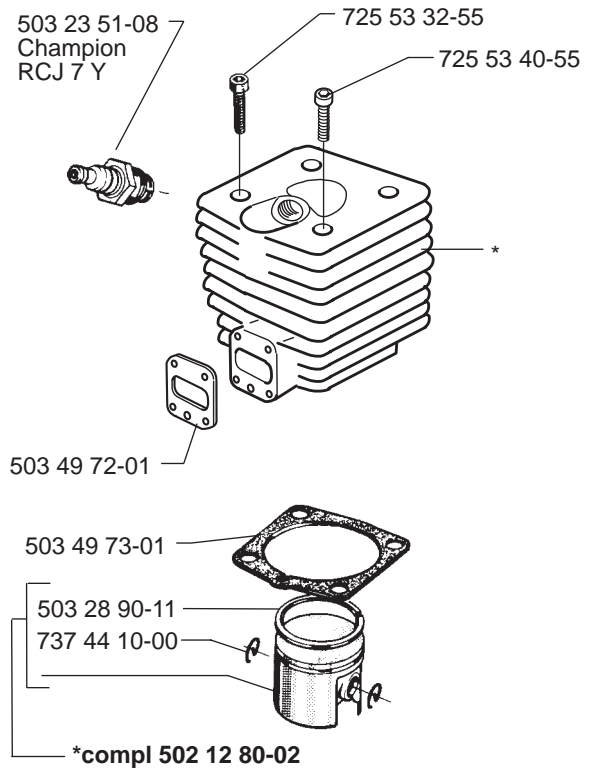
B

*compl 502 08 75-08

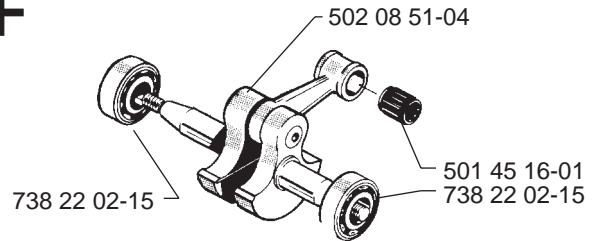


C

*compl 502 12 78-01

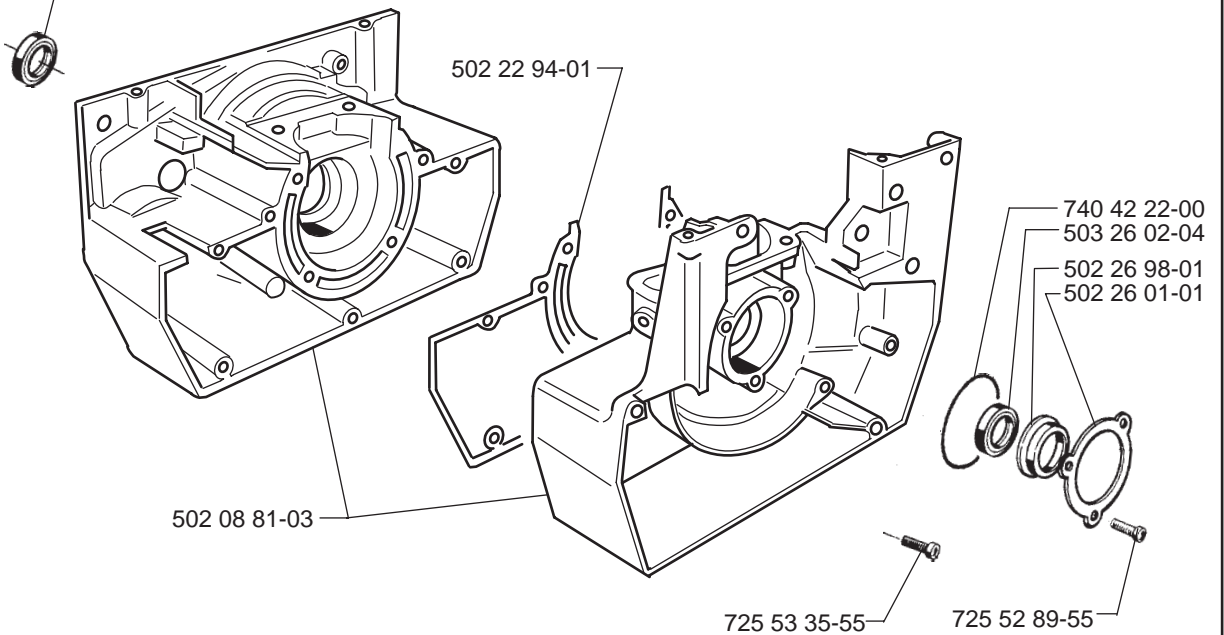


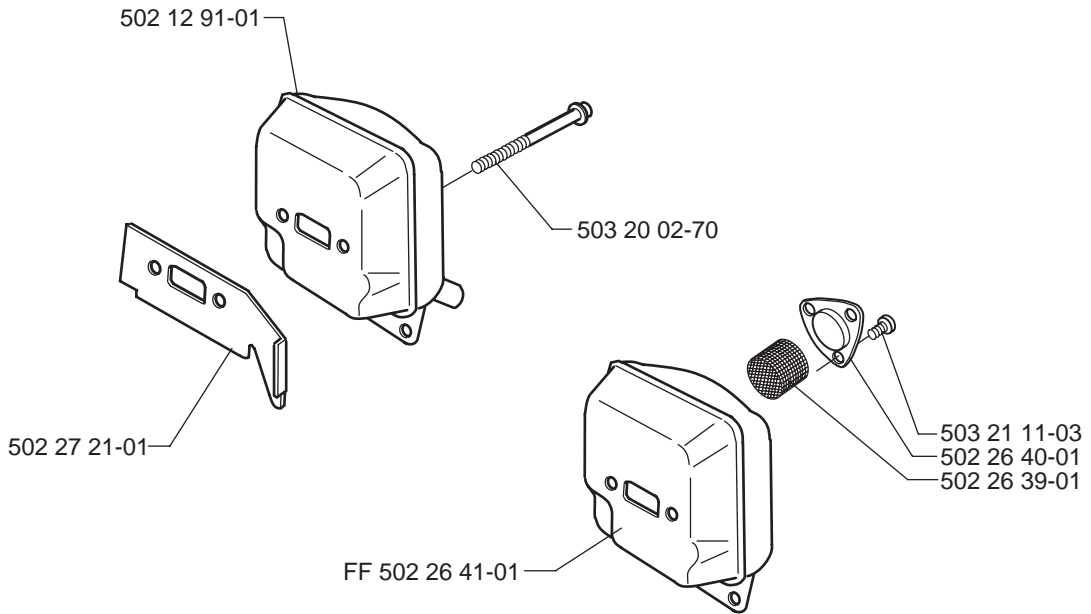
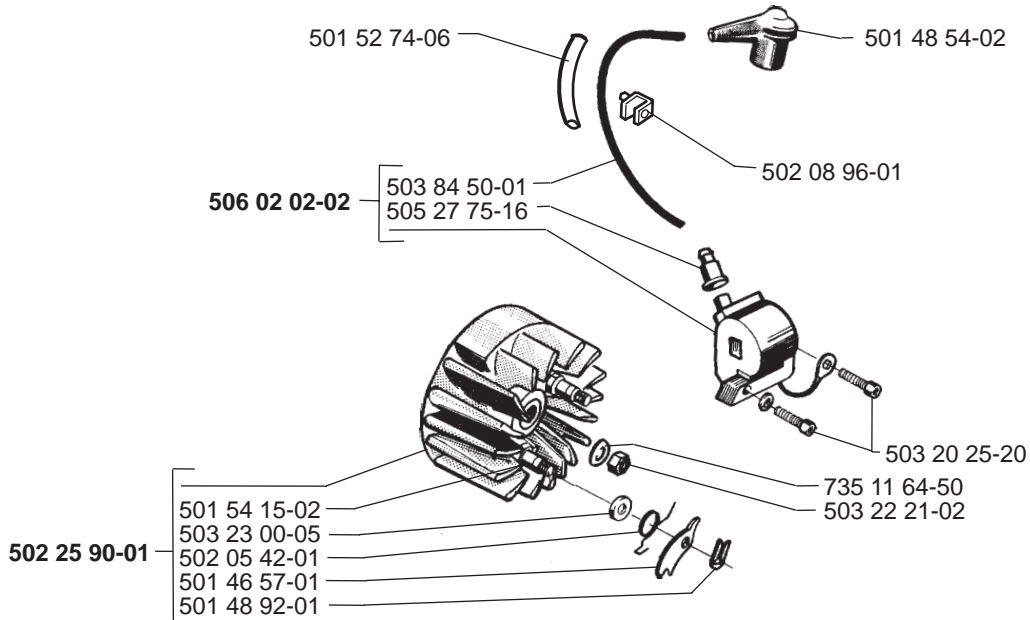
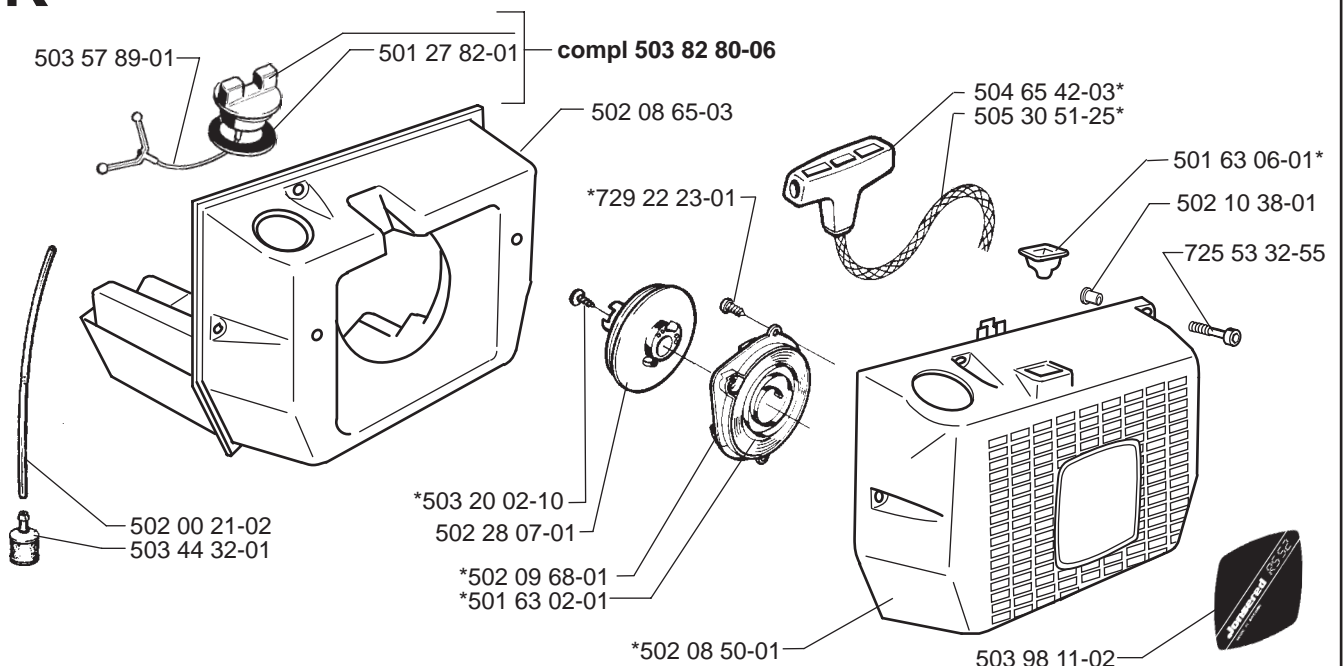
F

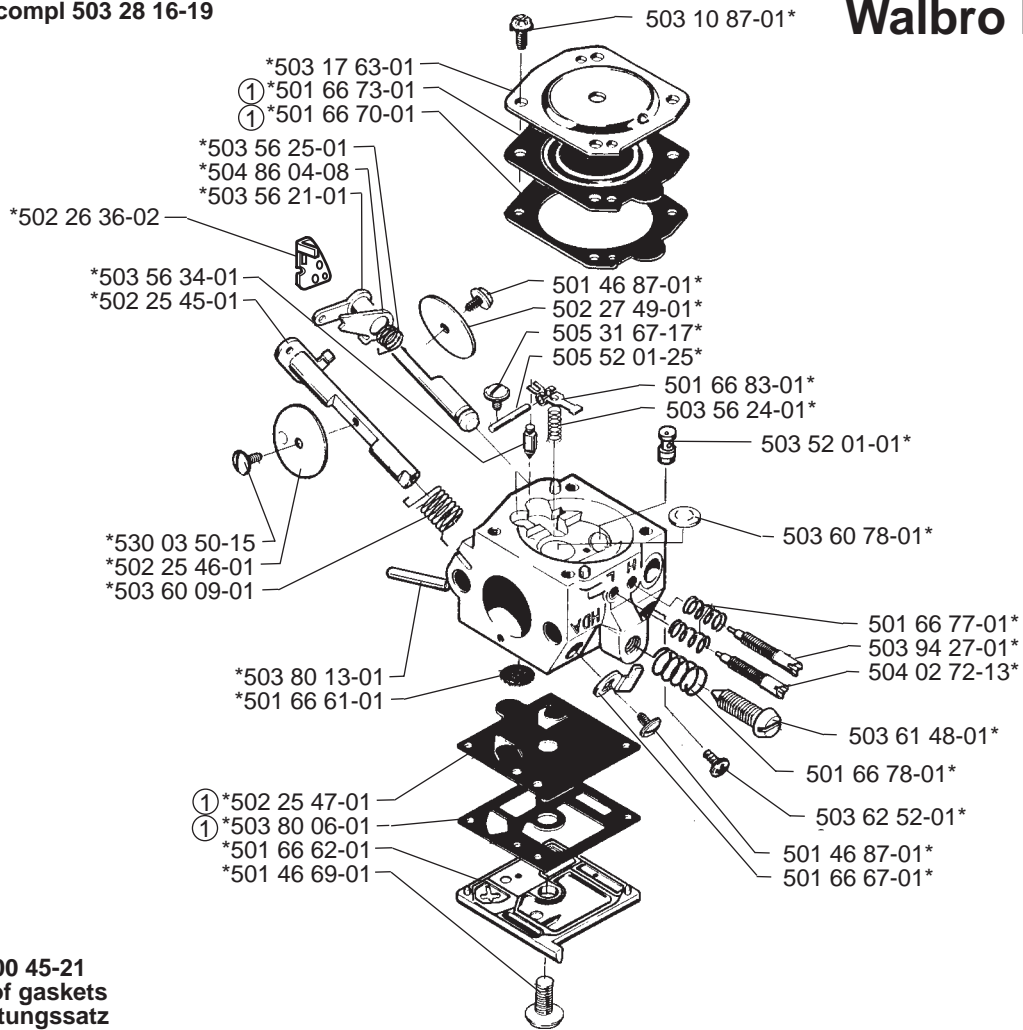


H

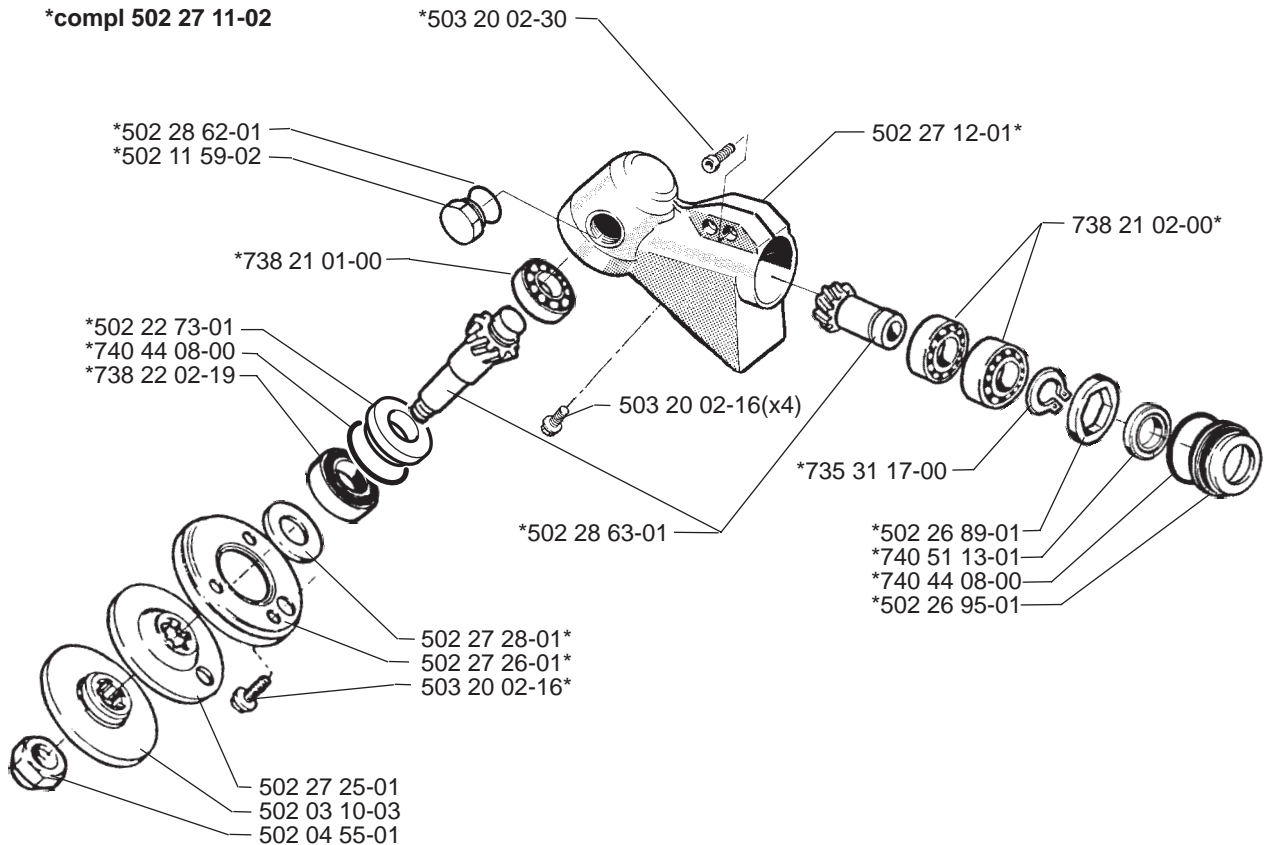
503 26 02-04



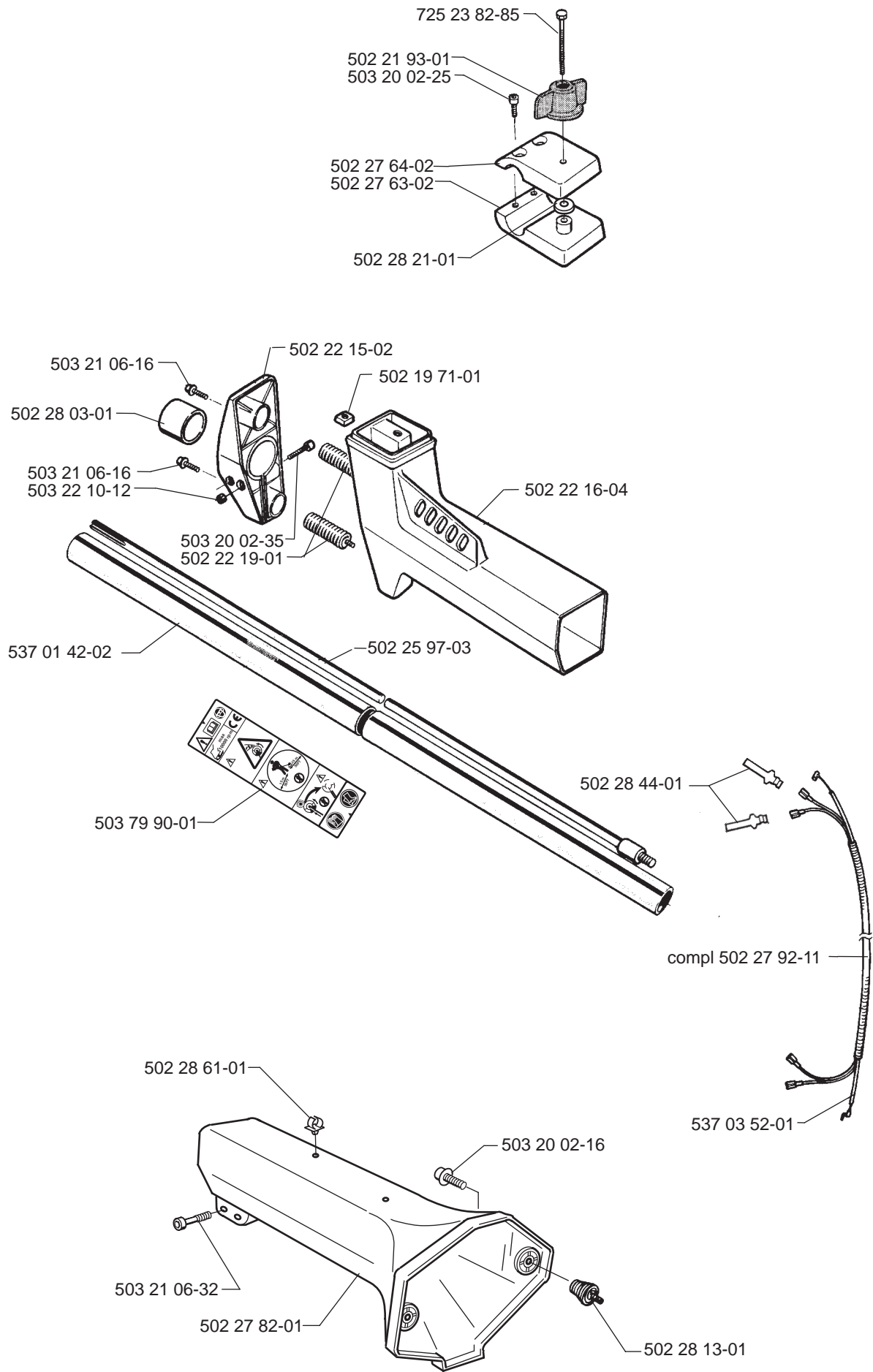
D**J****K*****compl 502 08 73-01**

E***compl 503 28 16-19****Walbro HDA-142**

① **531 00 45-21**
Set of gaskets
Dichtungssatz
Jeu de joints
Juego de juntas
Packningssats

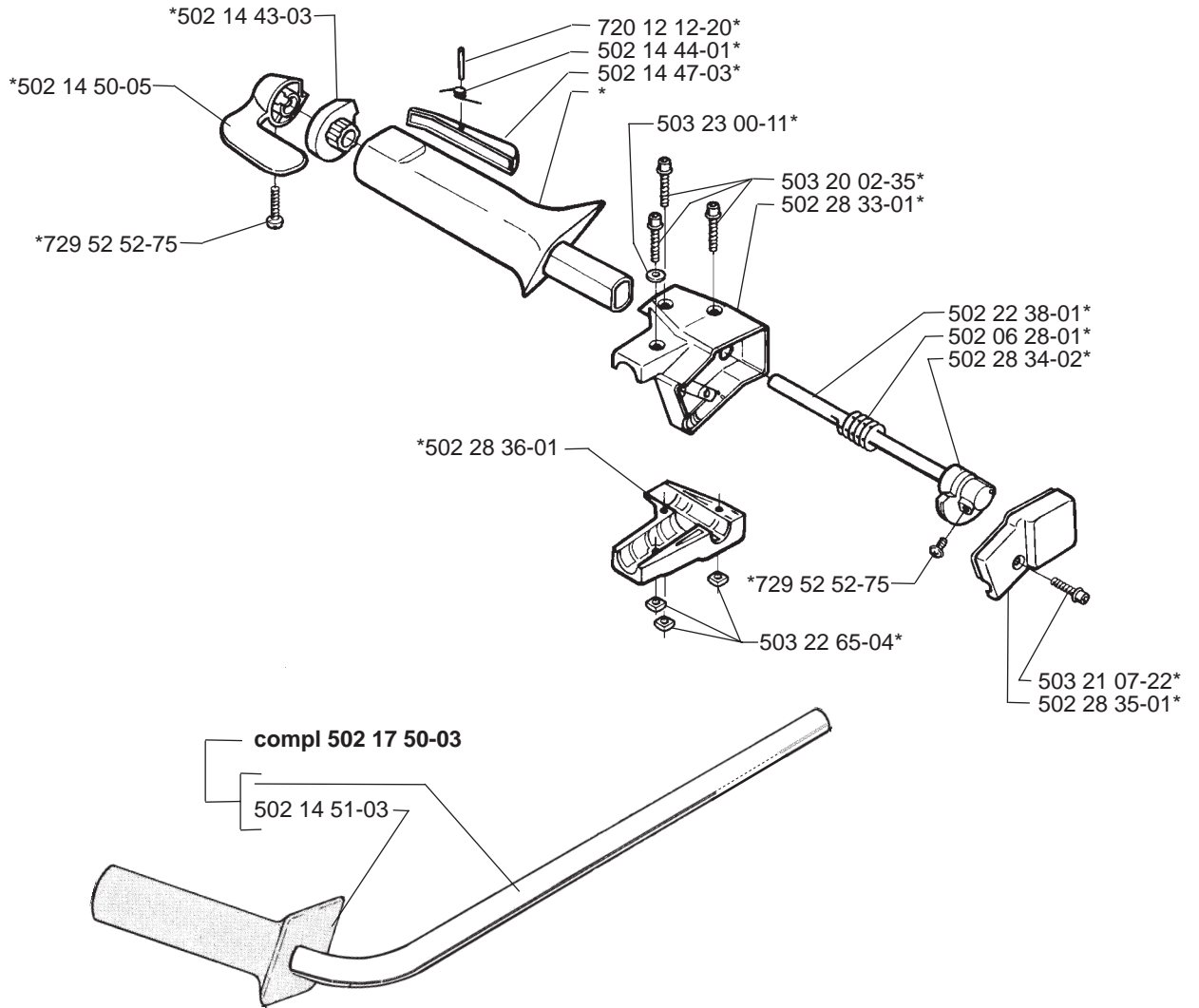
L***compl 502 27 11-02**

M



P

*compl 502 28 37-02



MODEL RS 52

PART NUMBER	SQUARE	NOTE	PART NUMBER	SQUARE	NOTE	PART NUMBER	SQUARE	NOTE	PART NUMBER	SQUARE	NOTE
501 19 22-01	N		502 21 58-01	N		503 21 07-16	AN		731 23 14-05	A	
501 27 82-01	K		502 21 65-01	N		503 21 07-22	P		735 11 64-50	GJ	
501 45 16-01	F		502 21 93-01	M		503 21 11-03	D		735 31 17-00	L	
501 46 57-01	J		502 22 15-02	M		503 22 10-12	M		735 58 35-20	A	N
501 46 69-01	E		502 22 16-04	M		503 22 21-02	GJ		737 44 10-00	C	
501 46 87-01	E		502 22 19-01	M		503 22 65-04	P		738 21 01-00	L	
501 48 54-02	J		502 22 38-01	P		503 22 70-01	A		738 21 02-00	L	
501 48 92-01	J		502 22 73-01	L		503 23 00-05	J		738 22 02-15	F	
501 52 74-06	J		502 22 94-01	H	N	503 23 00-11	P		738 22 02-19	GL	
501 54 15-02	J		502 25 45-01	E		503 23 00-46	A		740 42 22-00	H	
501 60 02-02	N		502 25 46-01	E		503 23 51-08	C		740 44 08-00	L	
501 63 02-01	K		502 25 47-01	E		503 26 02-04	H		740 51 13-01	L	
501 63 06-01	K		502 25 90-01	J		503 28 16-19	AE				
501 66 61-01	E		502 25 97-03	M		503 28 90-11	C				
501 66 62-01	E		502 26 01-01	H		503 44 32-01	K				
501 66 67-01	E		502 26 23-01	N		503 49 72-01	C				
501 66 70-01	E		502 26 31-01	G		503 49 73-01	C				
501 66 73-01	E		502 26 34-03	N		503 52 01-01	E				
501 66 77-01	E		502 26 36-02	AE		503 56 21-01	E				
501 66 78-01	E		502 26 39-01	D		503 56 24-01	E				
501 66 83-01	E		502 26 40-01	D		503 56 25-01	E				
501 68 89-01	N		502 26 41-01	D		503 56 34-01	E				
501 69 17-01	N		502 26 89-01	L		503 57 89-01	K				
501 86 25-02	A		502 26 95-01	L		503 60 09-01	E				
502 00 21-02	K		502 26 98-01	H		503 60 78-01	E				
502 02 28-02	N		502 27 11-02	L		503 61 48-01	E				
502 03 10-03	L		502 27 12-01	L		503 62 52-01	E				
502 03 55-02	N		502 27 20-01	B		503 74 29-01	N				
502 03 94-03	N		502 27 21-01	D		503 77 63-01	N				
502 04 25-04	G		502 27 22-01	N		503 79 88-01	N				
502 04 55-01	L		502 27 25-01	L		503 79 90-01	M				
502 05 42-01	J		502 27 26-01	L		503 80 06-01	E				
502 06 28-01	P		502 27 28-01	L		503 80 13-01	E				
502 06 34-01	B		502 27 33-03	N		503 82 80-06	K	N			
502 08 50-01	K		502 27 49-01	E		503 84 50-01	J				
502 08 51-04	F	N	502 27 50-01	A		503 91 60-03	N				
502 08 65-03	K		502 27 51-01	A		503 94 27-01	E				
502 08 71-03	A		502 27 52-01	A		503 97 52-05	B	N			
502 08 73-01	K		502 27 63-02	M		503 97 65-01	O	N			
502 08 75-07	O		502 27 64-02	M		503 98 11-02	K	N			
502 08 75-08	B		502 27 82-01	M		504 02 72-13	E				
502 08 81-03	H		502 27 92-11	M		504 12 31-02	A				
502 08 96-01	J		502 28 03-01	M		504 65 42-03	K				
502 09 68-01	K		502 28 07-01	K		504 86 04-08	E				
502 10 18-03	A		502 28 13-01	M		505 27 75-16	J				
502 10 38-01	K		502 28 21-01	M		505 30 51-25	K				
502 10 56-01	A		502 28 33-01	P		505 31 67-17	E				
502 11 46-02	N		502 28 34-02	P		505 52 01-25	E				
502 11 59-02	L		502 28 35-01	P		506 02 02-02	J				
502 12 32-03	N		502 28 36-01	P		530 03 50-15	E				
502 12 36-03	N		502 28 37-02	P		531 00 45-21	E				
502 12 36-05	N		502 28 44-01	M		537 01 42-02	M	N			
502 12 37-01	N		502 28 59-01	N		537 03 52-01	M	N			
502 12 78-01	C		502 28 61-01	M		537 04 82-01	G	N			
502 12 80-02	C		502 28 62-01	L		537 04 83-01	G	N			
502 12 90-02	B		502 28 63-01	L		537 05 67-01	G	N			
502 12 91-01	D		503 10 87-01	E		537 06 28-01	G	N			
502 12 99-02	A		503 17 63-01	E		537 06 31-01	G	N			
502 14 43-03	P		503 20 02-10	K		537 07 09-01	G	N			
502 14 44-01	P		503 20 02-16	BLM		720 12 12-20	P				
502 14 47-03	P		503 20 02-20	A		721 68 01-51	N				
502 14 50-05	P		503 20 02-25	M		725 23 82-85	M				
502 14 51-03	P		503 20 02-30	L		725 52 89-55	H				
502 17 13-01	A		503 20 02-35	MP		725 53 29-55	G				
502 17 15-02	N		503 20 02-70	D		725 53 32-55	CK				
502 17 45-01	A		503 20 20-06	G		725 53 33-55	G				
502 17 50-03	P		503 20 25-16	A		725 53 35-55	H				
502 17 82-02	A		503 20 25-20	J		725 53 40-55	C				
502 18 49-01	N		503 21 06-16	M		729 22 23-01	K				
502 19 71-01	M		503 21 06-32	M		729 52 52-75	P				

N = New part
 Neues teil
 Nouvelle piece
 Nueva pieza