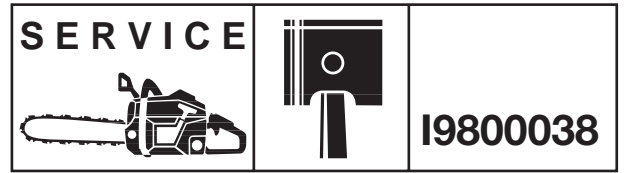


Jonsered



IPL, 2054, 2055, 1998-10, 106 25 32-61

2054, 2055

Spare parts

Replaces

Ersatzteile

Ersetzt

Pièces détachées

Remplace

Reserve onderdelen

Vervangt

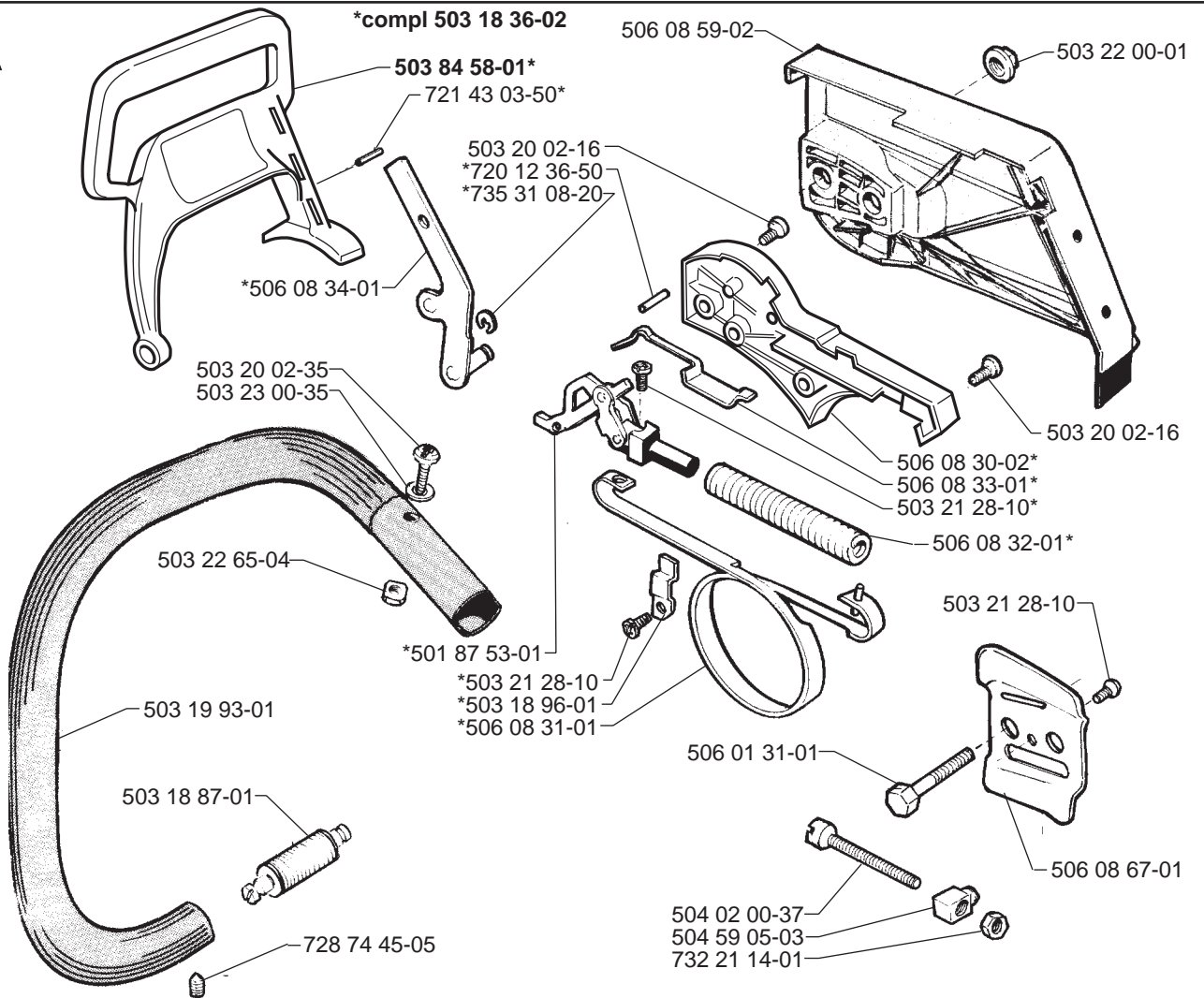
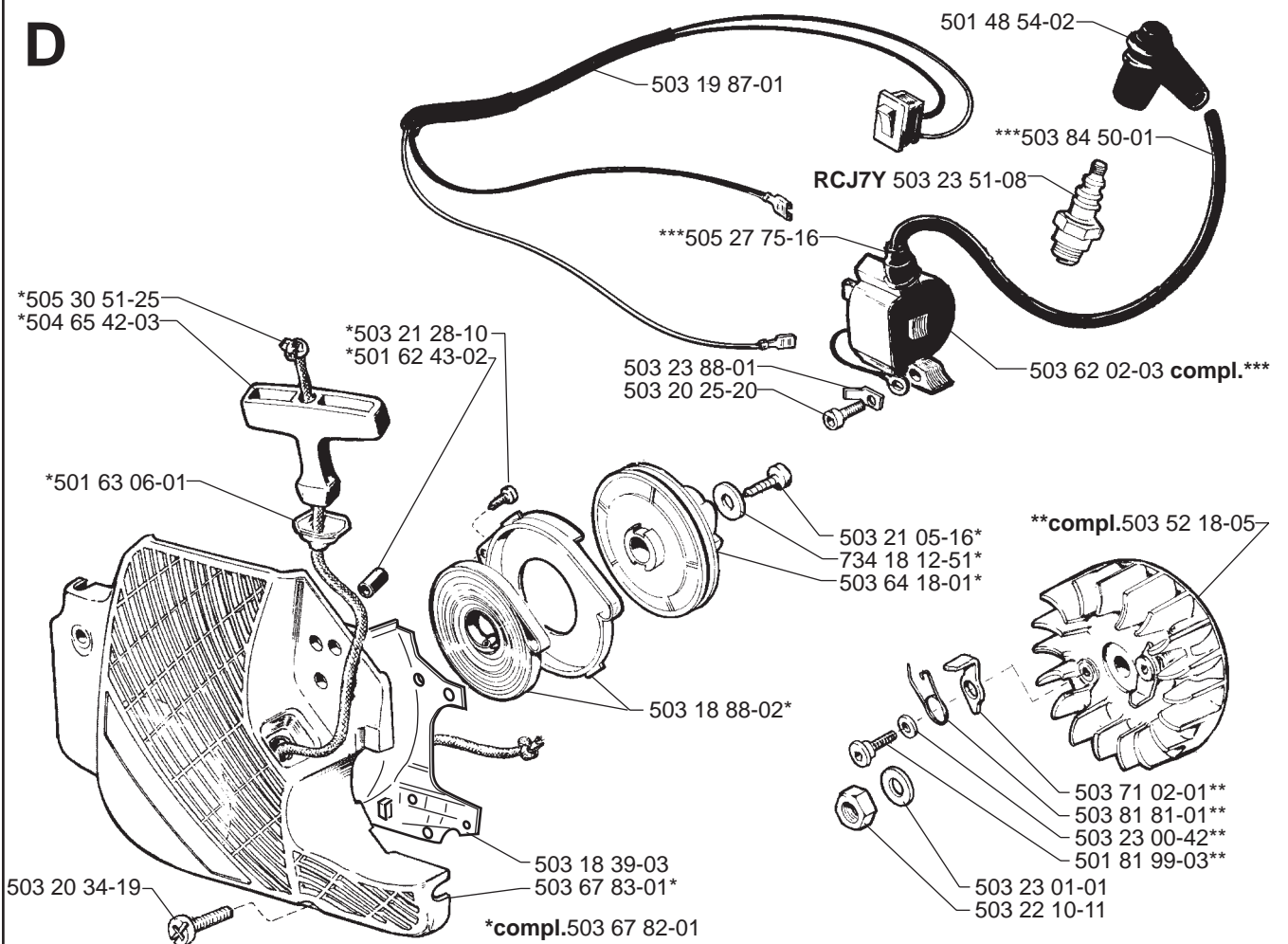
Repuestos

Reemplaza

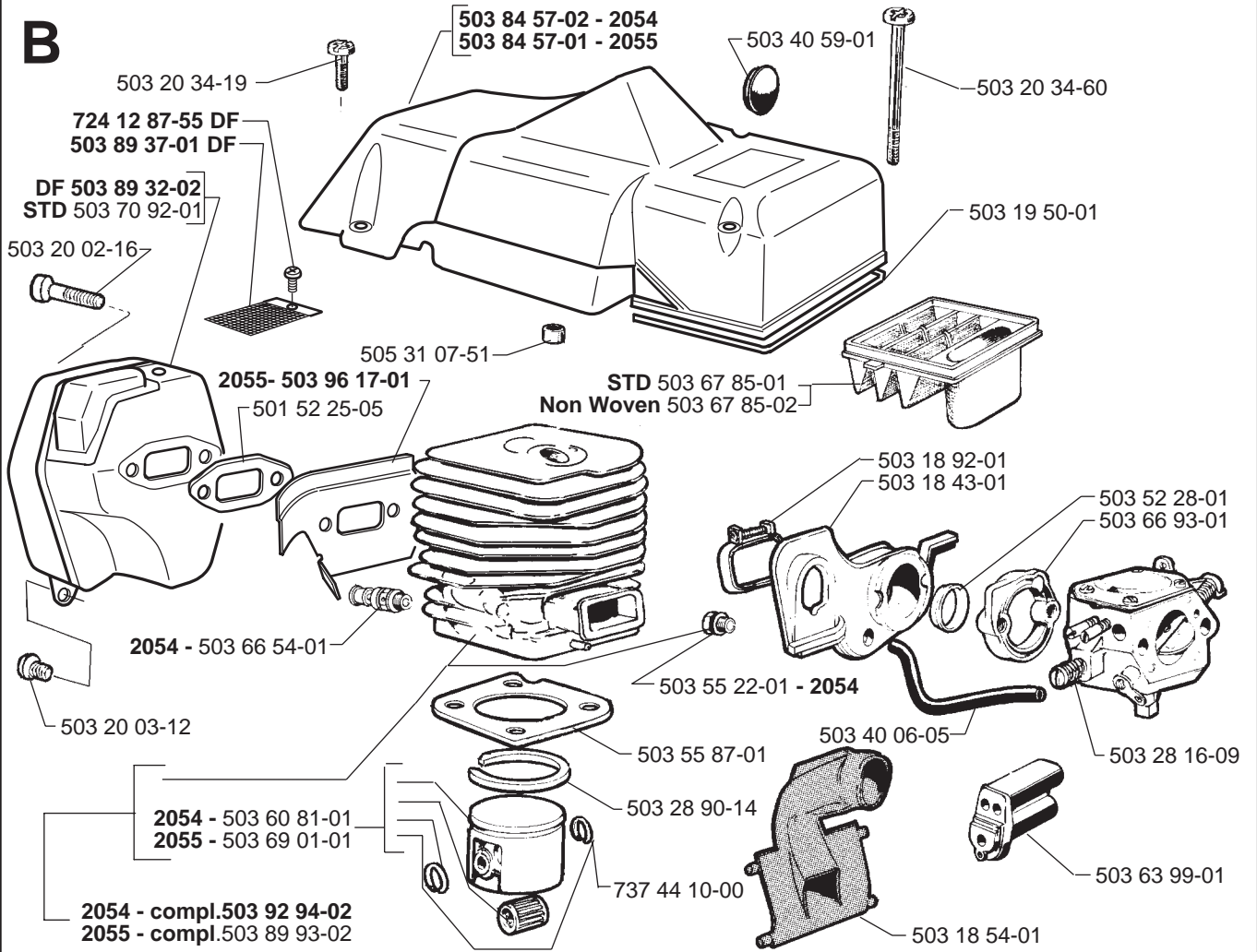
Reservdelar

Ersätter

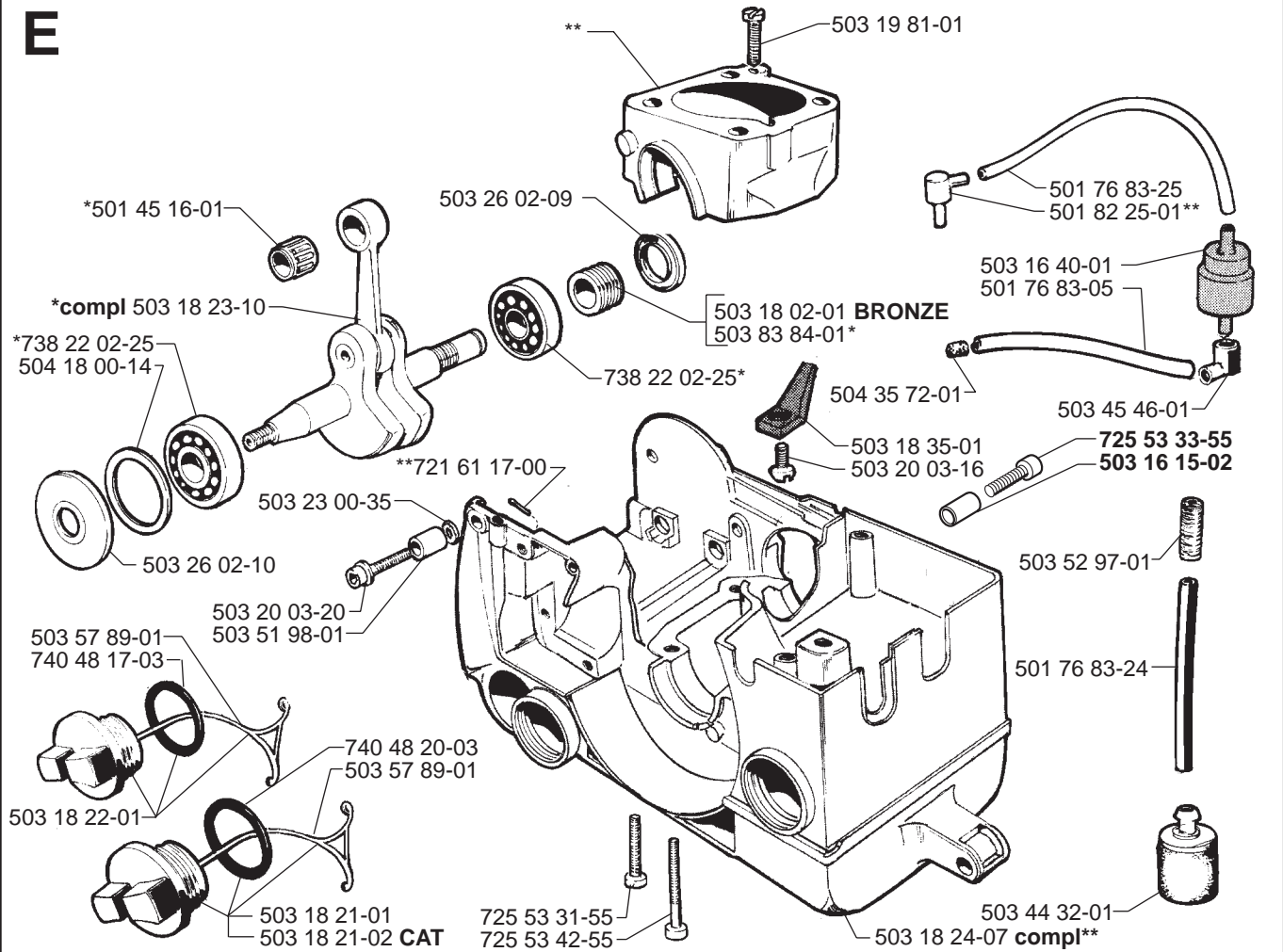
108 07 08-15

A**D**

B

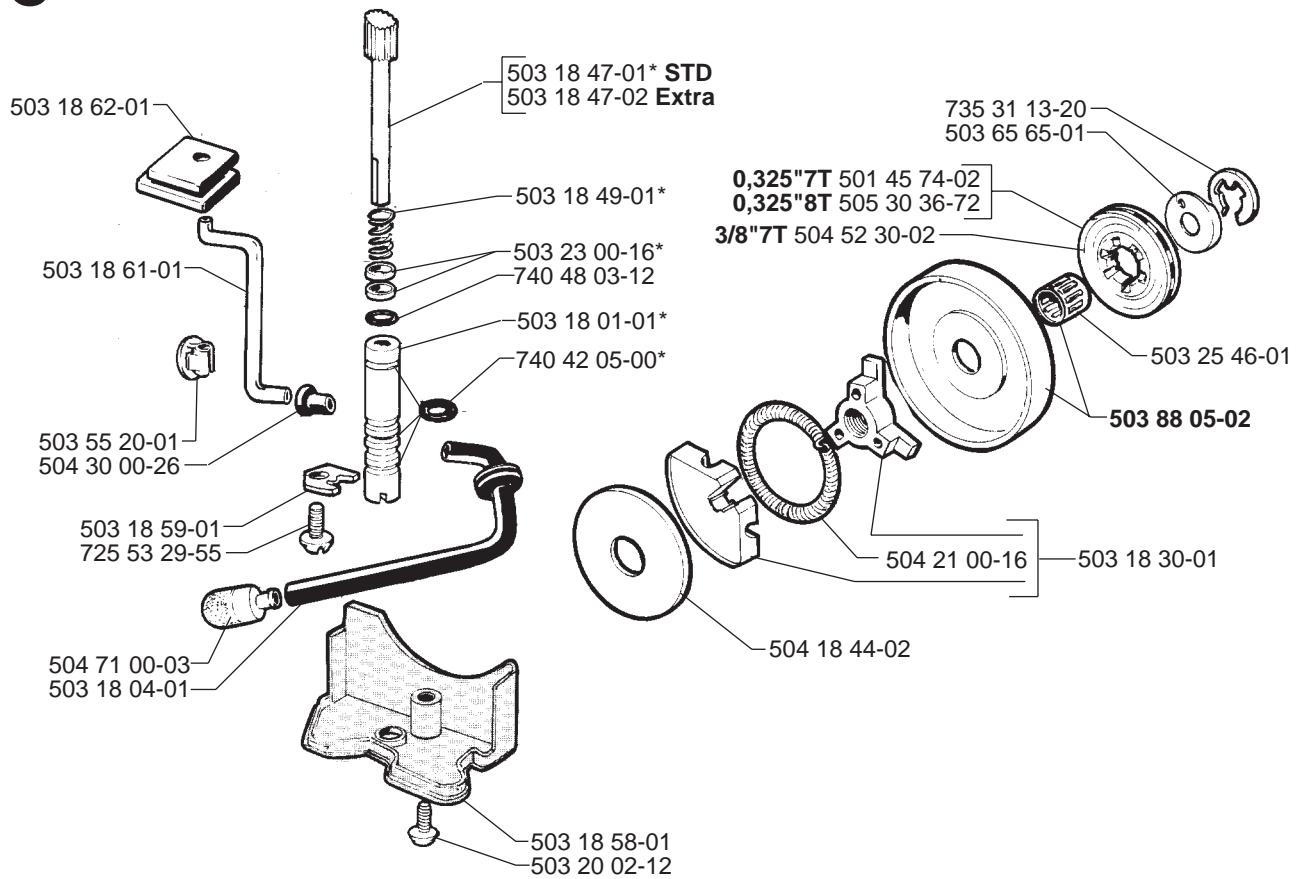
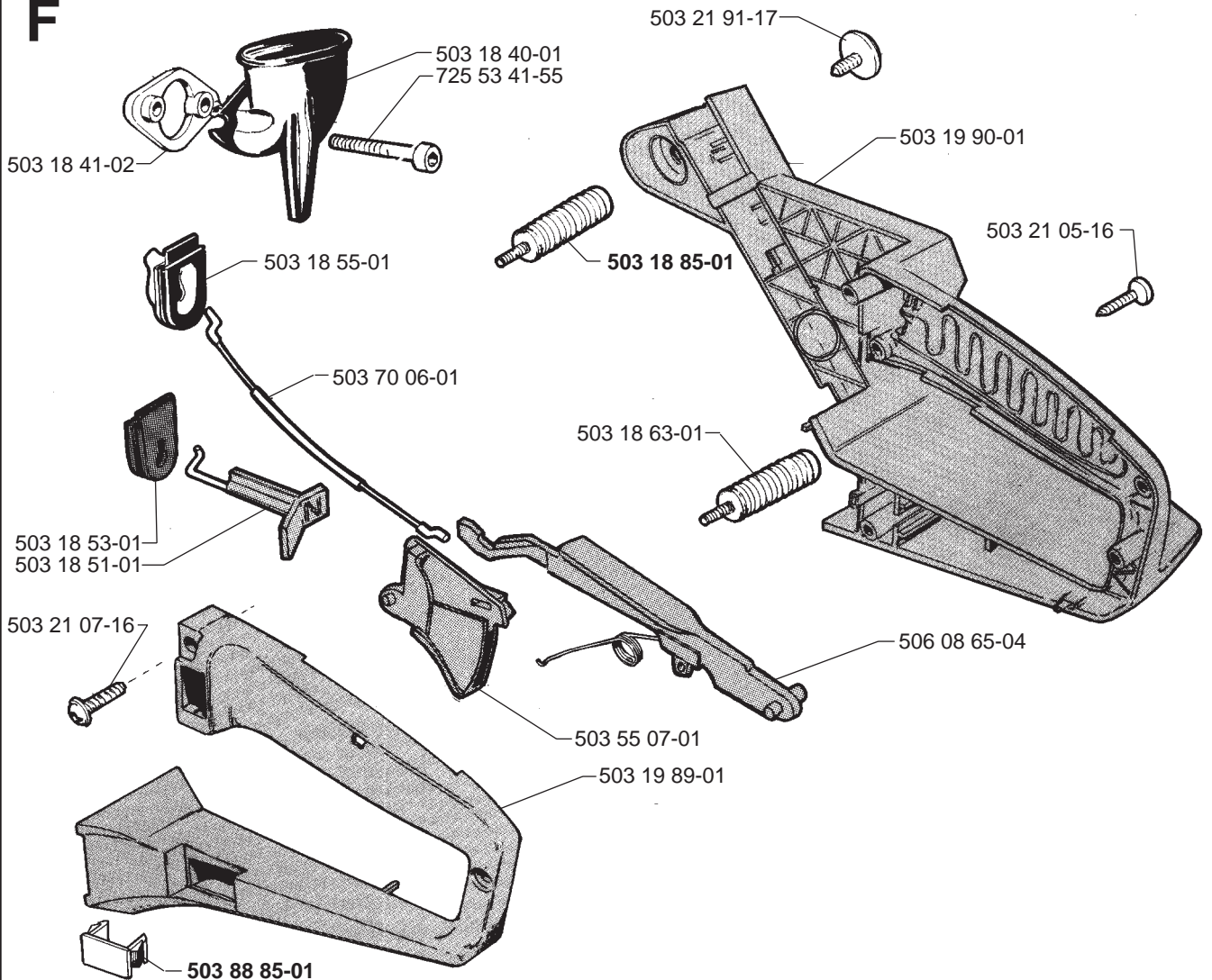


E



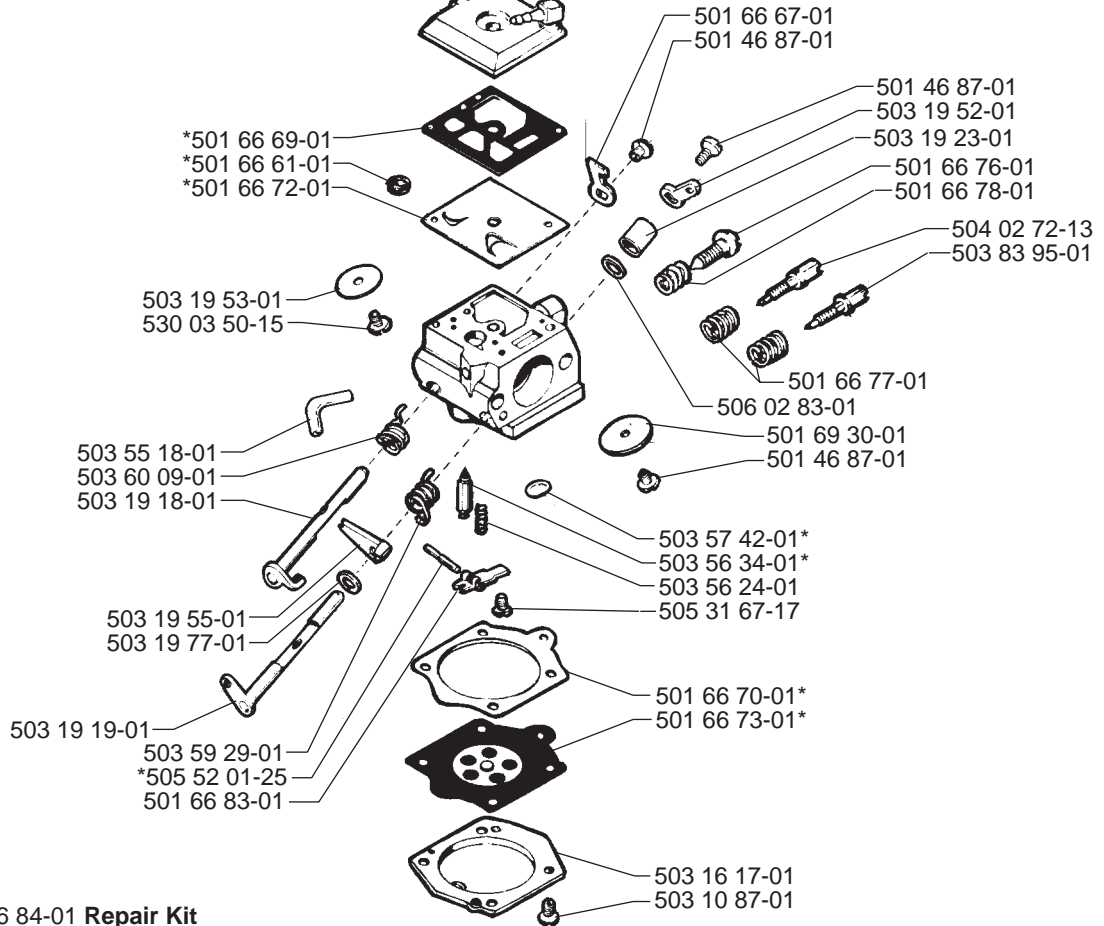
C

*compl 503 19 05-01

**F**

G

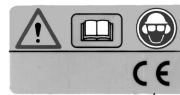
compl 503 28 16-09

503 56 23-01
503 19 20-01**WALBRO HDA 119 A**

*501 66 84-01 Repair Kit

H

503 69 44-01



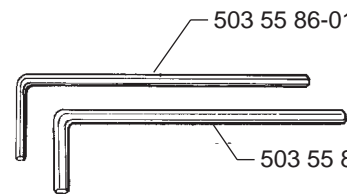
503 78 22-04



503 65 97-01



503 69 44-02



503 55 86-01*

503 55 86-02



503 69 44-03

*503 62 12-01



503 69 43-01

*501 91 14-01



503 69 43-05



503 69 43-02



503 69 43-03



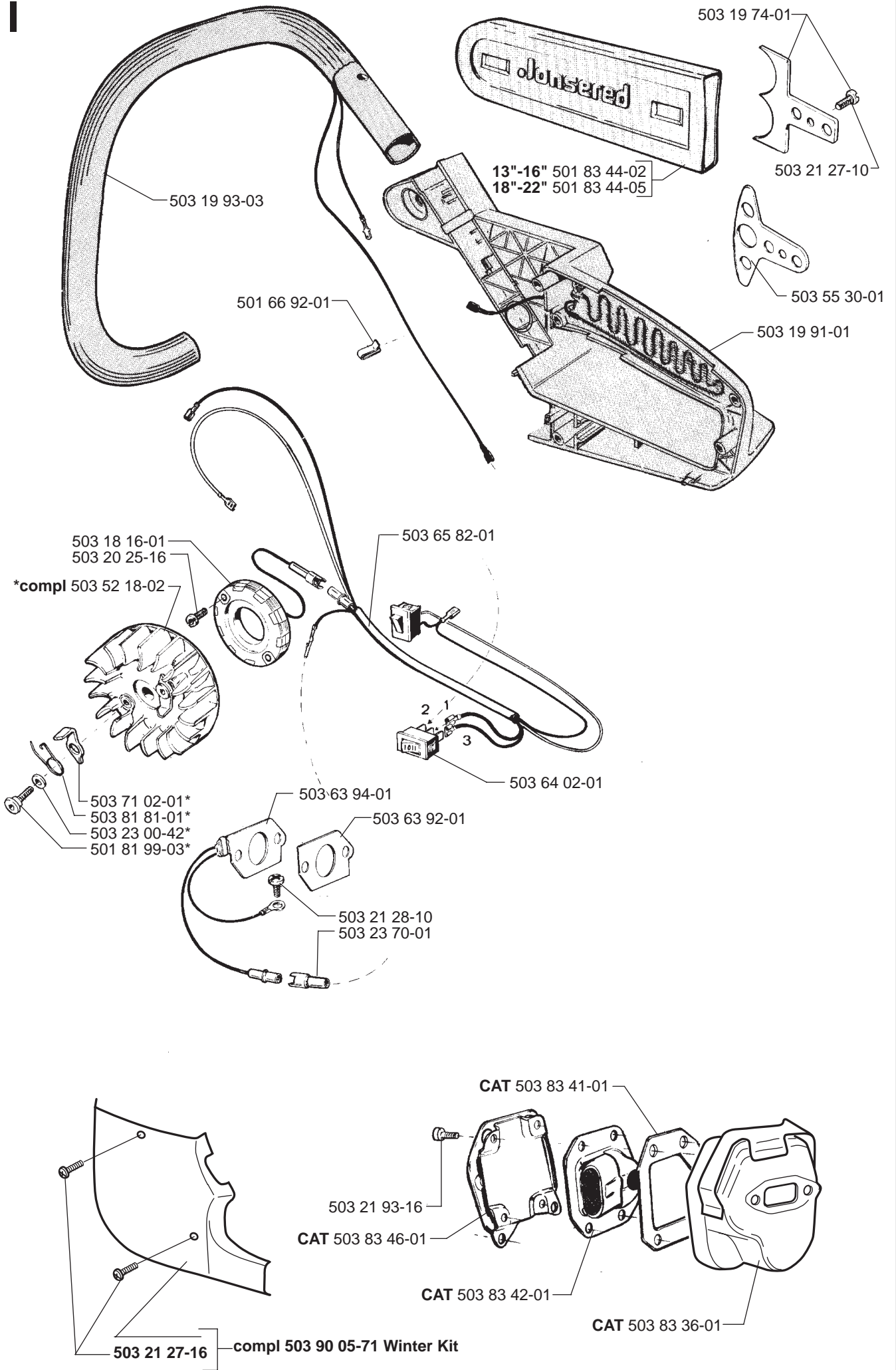
503 69 43-04

2054

501 69 17-01*

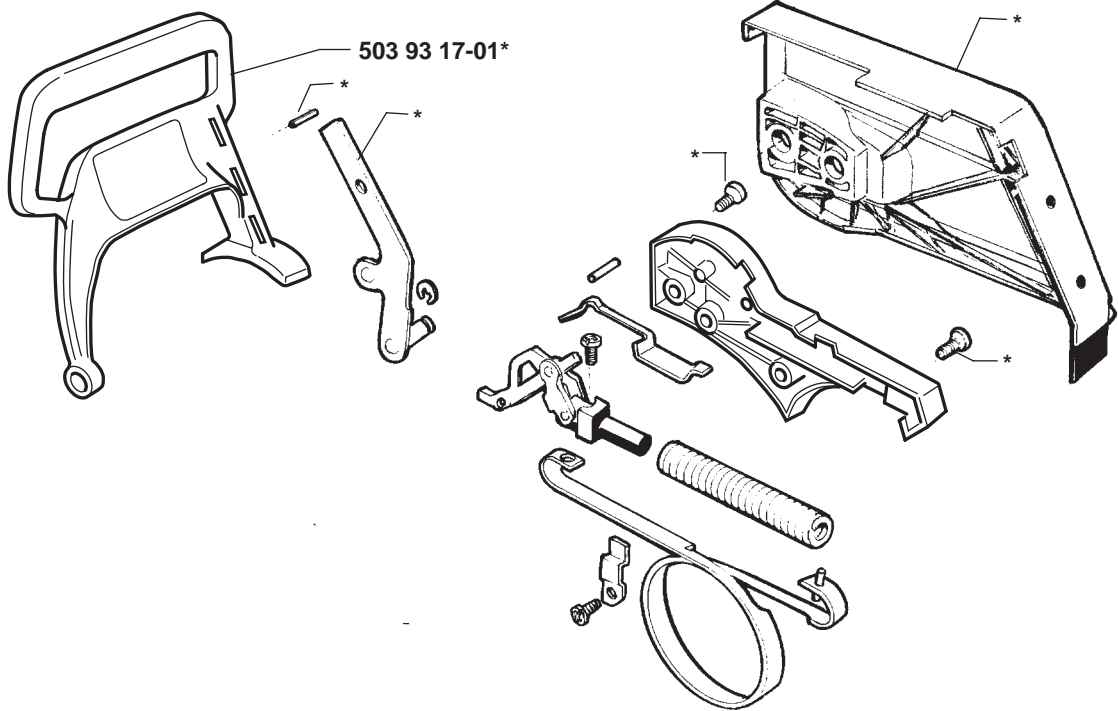
*compl 503 55 85-01 - 2055

I

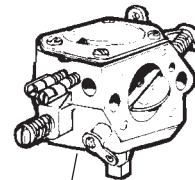
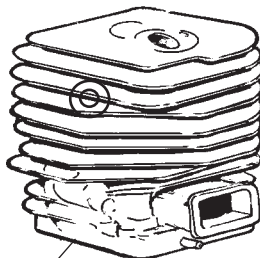
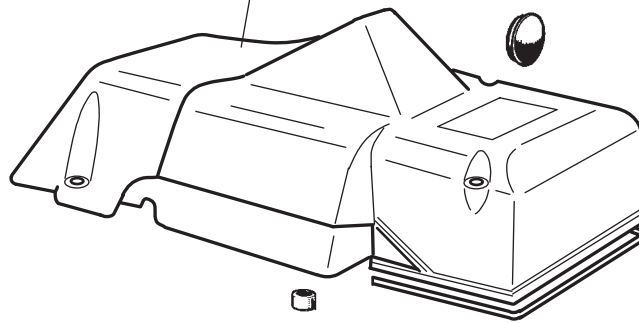


J EPA, USA only 2054

*compl 503 18 36-03



compl 503 93 16-02

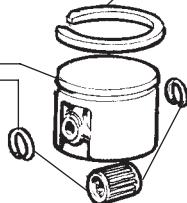


503 28 16-12
503 80 73-01

503 92 17-71

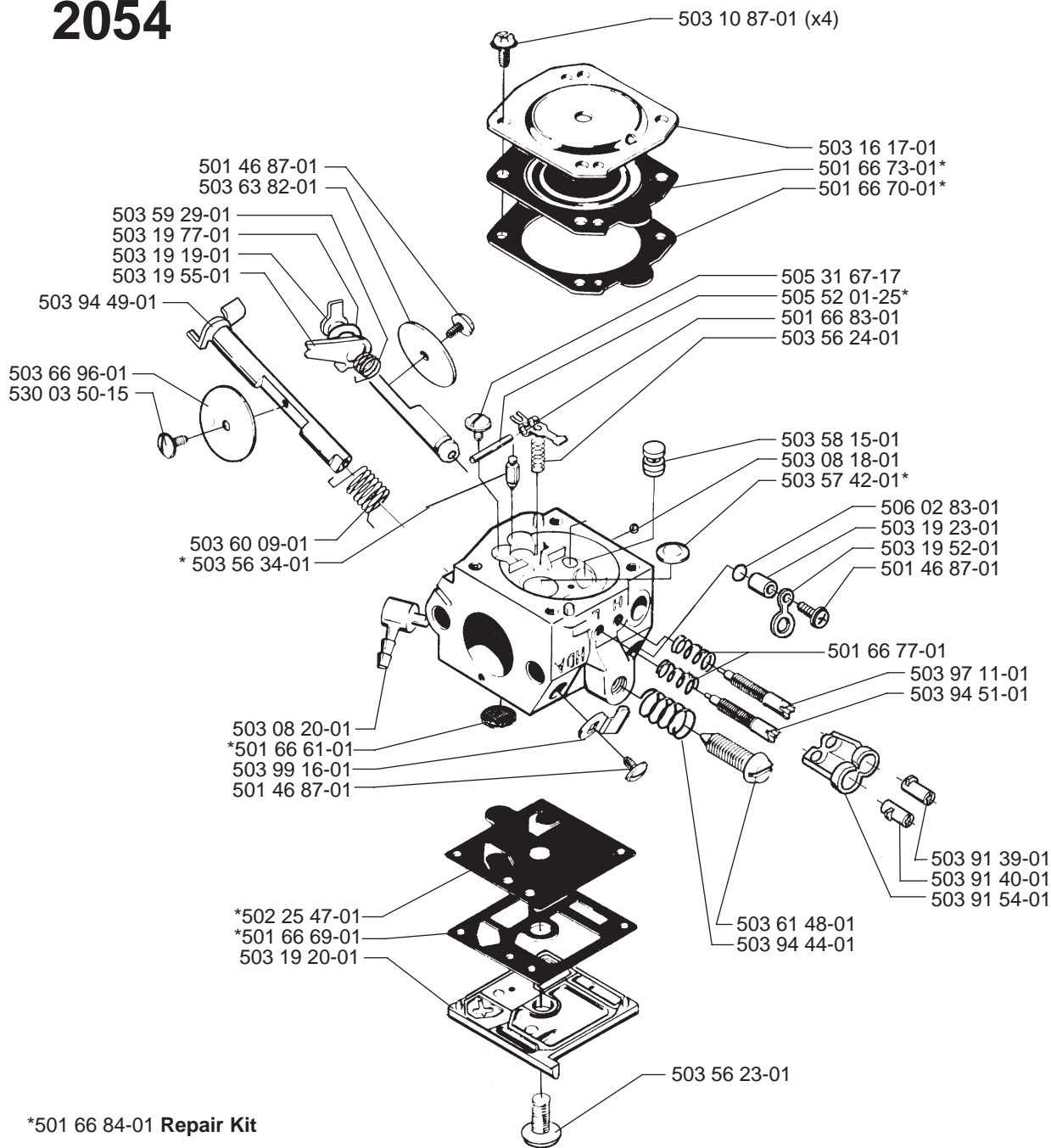
503 89 96-01

503 28 90-10



K EPA, USA only 2054

compl 503 28 16-12 **Walbro HDA 143 A**



L EPA, USA only 2054

503 90 80-07

Follow all safety precautions in the Operator's Manual (s)
Failure to follow instructions could result in serious personal injury. Recommended for **Jonsered 2054**
Chain / Bar length / Bar nose sprocket
Oregon 34 LG / 18" / max. 10 teeth
Other low kickback comb. in Operator's Manual (s).

IMPORTANT ENGINE INFORMATION
Jonsered 2054 49cc VHV049UB24RC
JONSERED HUSKVARNA SWEDEN EM
THIS ENGINE CONFORMS TO 1997 U.S. EPA EMISSION
REGULATION FOR SMALL NONROAD ENGINES.
REFER TO OPERATOR'S MANUAL FOR MAINTENANCE
SPECIFICATIONS AND ADJUSTMENTS.

PART NUMBER	SQUARE	NOTE	PART NUMBER	SQUARE	NOTE	PART NUMBER	SQUARE	NOTE	PART NUMBER	SQUARE	NOTE
501 45 16-01	E		503 18 96-01	A		503 55 87-01	B		503 94 49-01	K	N, EPA
501 45 74-02	C		503 19 05-01	C		503 56 23-01	GK		503 94 51-01	K	N, EPA
501 46 87-01	GK		503 19 18-01	G		503 56 24-01	GK		503 96 17-01	B	N
501 48 54-02	D		503 19 19-01	GK		503 56 34-01	GK		503 97 11-01	K	N, EPA
501 52 25-05	B		503 19 20-01	GK		503 57 42-01	GK		503 99 16-01	K	N, EPA
501 62 43-02	D		503 19 23-01	GK		503 57 89-01	E		504 02 00-37	A	
501 63 06-01	D		503 19 50-01	B		503 58 15-01	K	N, EPA	504 02 72-13	G	
501 66 61-01	GK		503 19 52-01	GK		503 59 29-01	GK		504 18 00-14	E	
501 66 67-01	G		503 19 53-01	G		503 60 09-01	GK		504 18 44-02	C	
501 66 69-01	GK		503 19 55-01	GK		503 60 81-01	B		504 21 00-16	C	
501 66 70-01	GK		503 19 74-01	I		503 61 48-01	K	N, EPA	504 30 00-26	C	
501 66 72-01	G		503 19 77-01	GK		503 62 02-03	D		504 35 72-01	E	
501 66 73-01	GK		503 19 81-01	E		503 62 12-01	H		504 52 30-02	C	
501 66 76-01	G		503 19 87-01	D		503 63 82-01	K	N, EPA	504 59 05-03	A	
501 66 77-01	GK		503 19 89-01	F		503 63 92-01	I		504 65 42-03	D	
501 66 78-01	G		503 19 90-01	F		503 63 94-01	I		504 71 00-03	C	
501 66 83-01	GK		503 19 91-01	I		503 63 99-01	B		505 27 75-16	D	
501 66 84-01	GK		503 19 93-01	A		503 64 02-01	I		505 30 36-72	C	
501 66 92-01	I		503 19 93-03	I		503 64 18-01	D		505 30 51-25	D	
501 69 17-01	H		503 20 02-12	C		503 65 65-01	C		505 31 07-51	B	
501 69 30-01	G		503 20 02-16	AB		503 65 82-01	I		505 31 67-17	GK	
501 76 83-05	E		503 20 02-35	A		503 65 97-01	H		505 52 01-25	GK	
501 76 83-24	E		503 20 03-12	B		503 66 54-01	B		506 01 31-01	A	
501 76 83-25	E		503 20 03-16	E		503 66 93-01	B		506 02 83-01	GK	
501 81 99-03	DI		503 20 03-20	E		503 66 96-01	K	N, EPA	506 08 30-02	A	
501 82 25-01	E		503 20 25-16	I		503 67 82-01	D		506 08 31-01	A	
501 83 44-02	I		503 20 25-20	D		503 67 83-01	D		506 08 32-01	A	
501 83 44-05	I		503 20 34-19	BD		503 67 85-01	B		506 08 33-01	A	
501 87 53-01	A		503 20 34-60	B		503 67 85-02	B		506 08 34-01	A	
501 91 14-01	H		503 21 05-16	DF		503 69 01-01	B		506 08 59-02	A	
502 25 47-01	K	N, EPA	503 21 07-16	F		503 69 43-01	H		506 08 65-04	F	
503 08 18-01	K	N, EPA	503 21 27-10	I		503 69 43-02	H		506 08 67-01	A	
503 08 20-01	K	N, EPA	503 21 27-16	I	N	503 69 43-03	H		530 03 50-15	GK	
503 10 87-01	GK		503 21 28-10	ADI		503 69 43-04	H		720 12 36-50	A	
503 16 15-02	E	N	503 21 91-17	F		503 69 43-05	H	N	721 43 03-50	A	
503 16 17-01	GK		503 21 93-16	I		503 69 44-01	H		721 61 17-00	E	
503 16 40-01	E		503 22 00-01	A		503 69 44-02	H		724 12 87-55	B	N
503 18 01-01	C		503 22 10-11	D		503 69 44-03	H		725 53 29-55	C	
503 18 02-01	E		503 22 65-04	A		503 70 06-01	F		725 53 31-55	E	
503 18 04-01	C		503 23 00-16	C		503 70 92-01	B		725 53 33-55	E	N
503 18 16-01	I		503 23 00-35	AE		503 71 02-01	DI		725 53 41-55	F	
503 18 21-01	E		503 23 00-42	DI		503 78 22-04	H	N	725 53 42-55	E	
503 18 21-02	E		503 23 01-01	D		503 80 73-01	J	N, EPA	728 74 45-05	A	
503 18 22-01	E		503 23 51-08	D		503 81 81-01	DI		732 21 14-01	A	
503 18 23-10	E		503 23 70-01	I		503 83 36-01	I		734 18 12-51	D	
503 18 24-07	E		503 23 88-01	D		503 83 41-01	I		735 31 08-20	A	
503 18 30-01	C		503 25 46-01	C		503 83 42-01	I		735 31 13-20	C	
503 18 35-01	E		503 26 02-09	E		503 83 46-01	I		737 44 10-00	B	
503 18 36-02	A	N	503 26 02-10	E		503 83 84-01	E		738 22 02-25	E	
503 18 36-03	J	N, EPA	503 28 16-09	BG		503 83 95-01	G		740 42 05-00	C	
503 18 39-03	D		503 28 16-12	JK	N, EPA	503 84 50-01	D		740 48 03-12	C	
503 18 40-01	F		503 28 90-10	J	N, EPA	503 84 57-01	B	N	740 48 17-03	E	
503 18 41-02	F		503 28 90-14	B		503 84 57-02	B	N	740 48 20-03	E	
503 18 43-01	B		503 40 06-05	B		503 84 58-01	A	N			
503 18 47-01	C		503 40 59-01	B		503 88 05-02	C	N			
503 18 47-02	C		503 44 32-01	E		503 88 85-01	F	N			
503 18 49-01	C		503 45 46-01	E		503 89 32-02	B	N			
503 18 51-01	F		503 51 98-01	E		503 89 37-01	B	N			
503 18 53-01	F		503 52 18-02	I		503 89 93-02	B				
503 18 54-01	B		503 52 18-05	D		503 89 96-01	J	N, EPA			
503 18 55-01	F		503 52 28-01	B		503 90 05-71	I	N			
503 18 58-01	C		503 52 97-01	E		503 90 80-07	L	N, EPA			
503 18 59-01	C		503 55 07-01	F		503 91 39-01	K	N, EPA			
503 18 61-01	C		503 55 18-01	G		503 91 40-01	K	N, EPA			
503 18 62-01	C		503 55 20-01	C		503 91 54-01	K	N, EPA			
503 18 63-01	F		503 55 22-01	B		503 92 17-71	J	N, EPA			
503 18 85-01	F	N	503 55 30-01	I		503 92 94-02	B	N			
503 18 87-01	A		503 55 85-01	H		503 93 16-02	J	N, EPA			
503 18 88-02	D		503 55 86-01	H		503 93 17-01	J	N, EPA			
503 18 92-01	B		503 55 86-02	H		503 94 44-01	K	N, EPA			