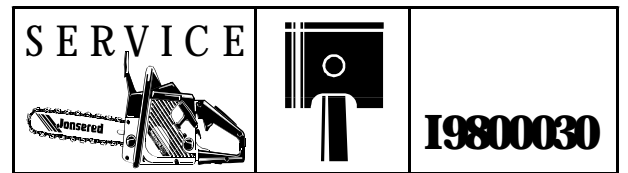


# Jonsered



IPL, GR41, GR50, RS44, 1998-06, 106 24 73-62

# GR41, GR50 RS44

**Spare parts**

**Ersatzteile**

**Pièces détachées**

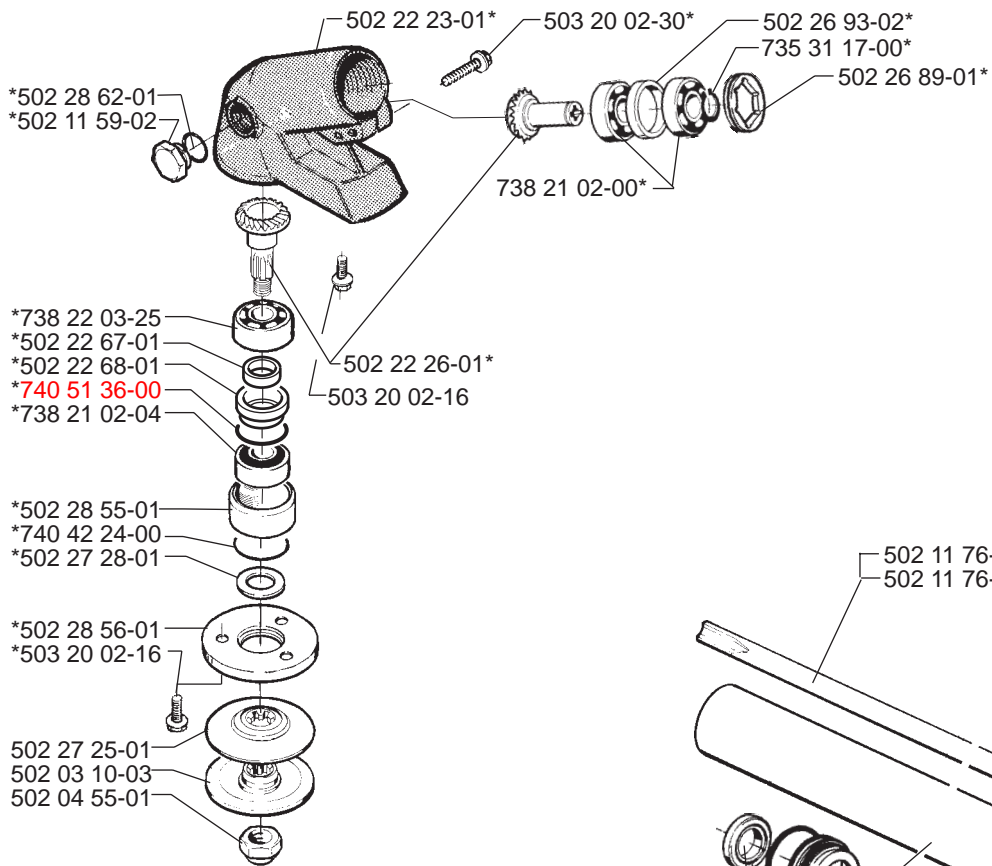
**Reserve onderdelen**

**Repuestos**

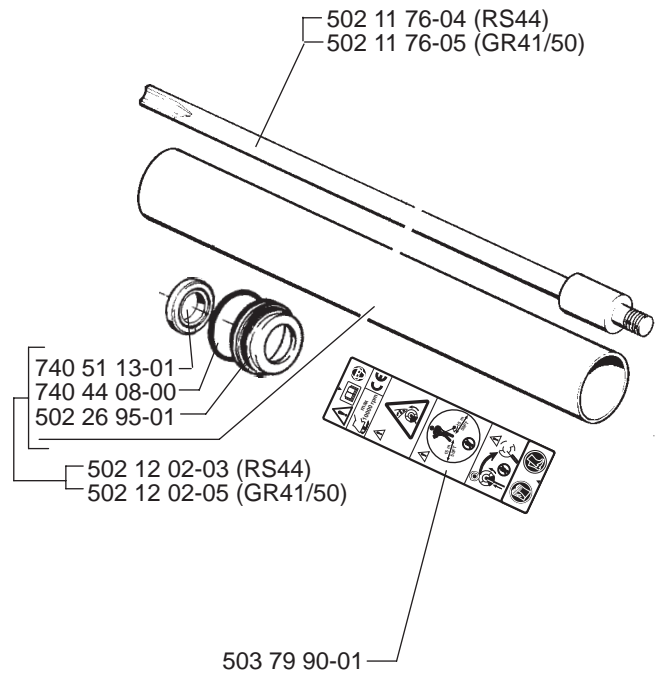
**Reservdelar**

**A**

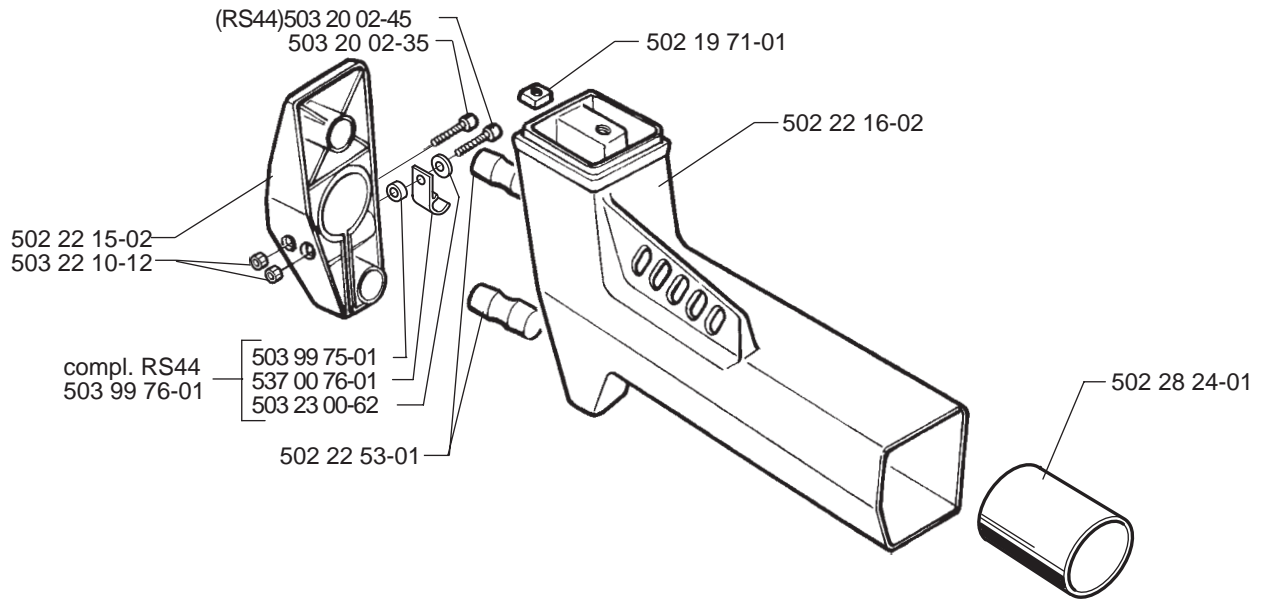
\*compl 502 28 57-02



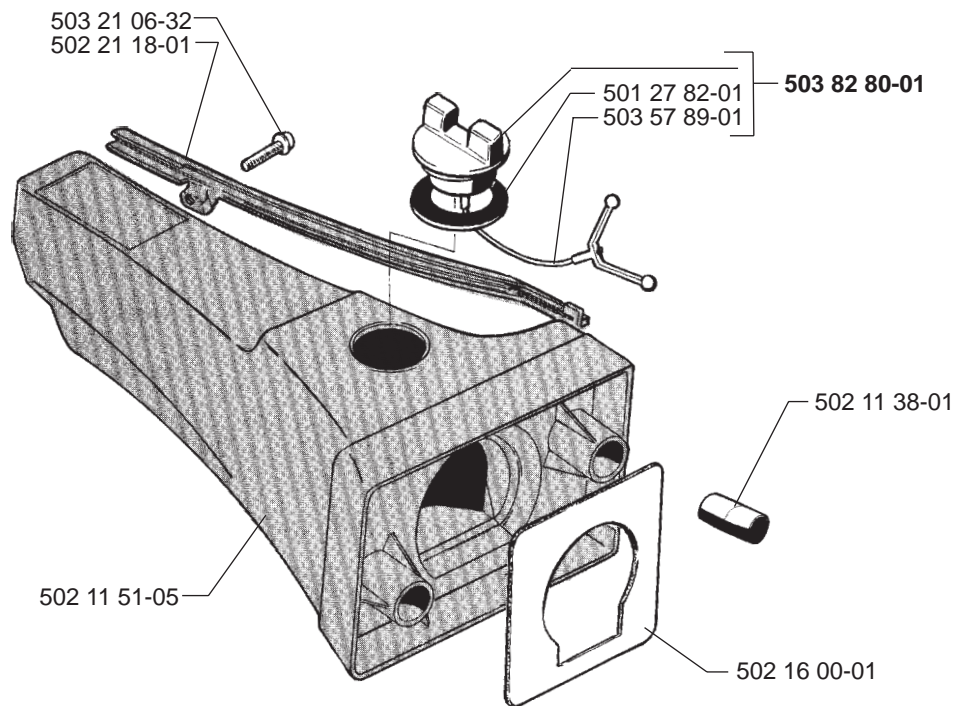
Correction:  
740 42 21-00



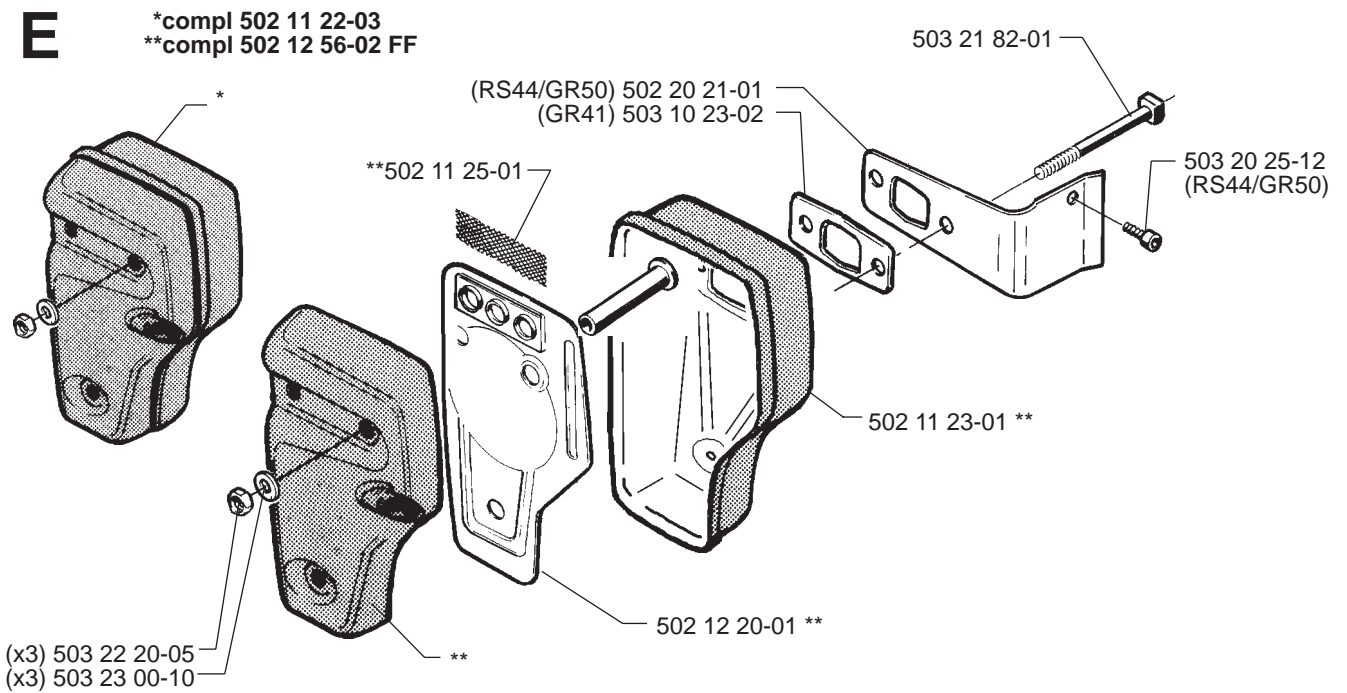
# H



# J

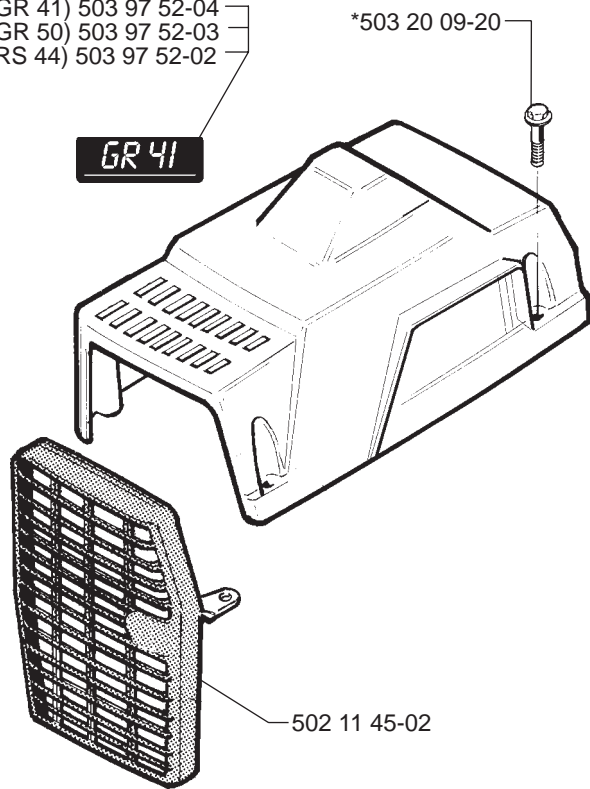
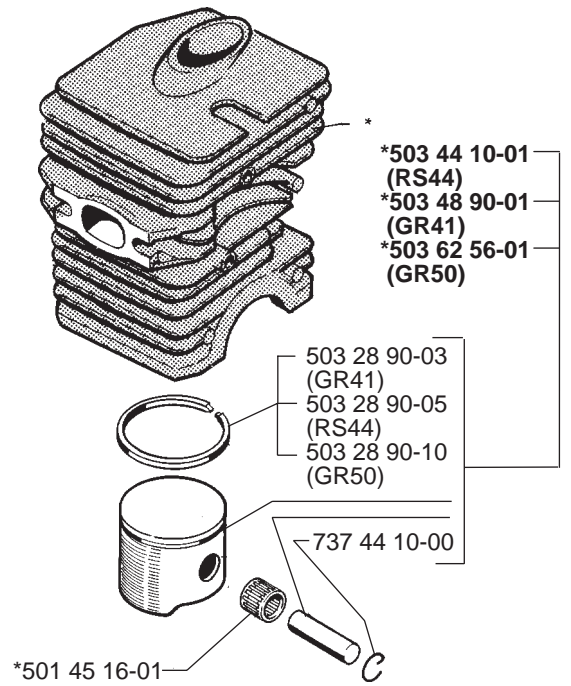
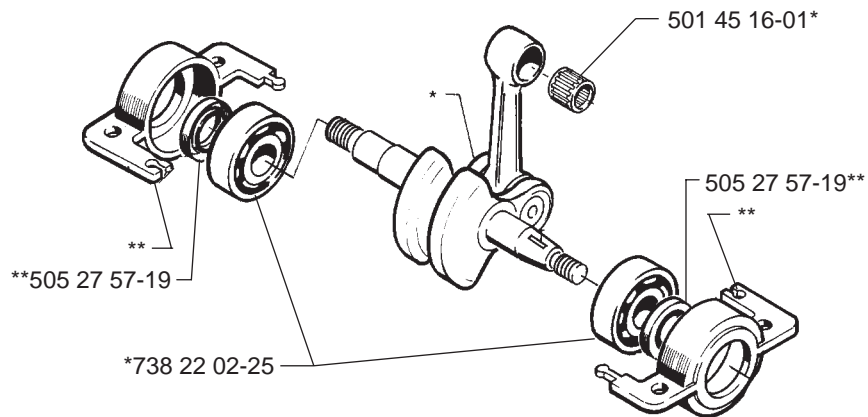


# E

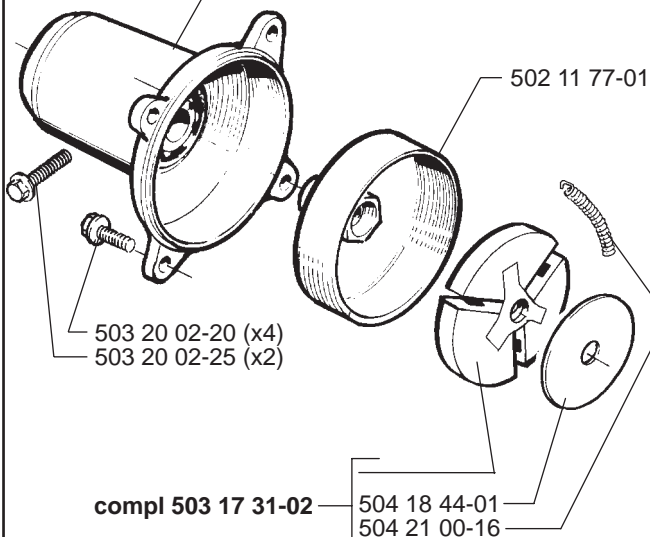
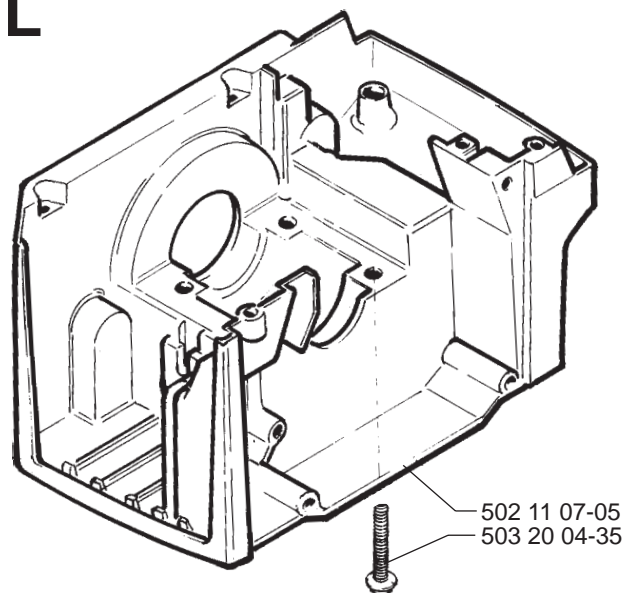


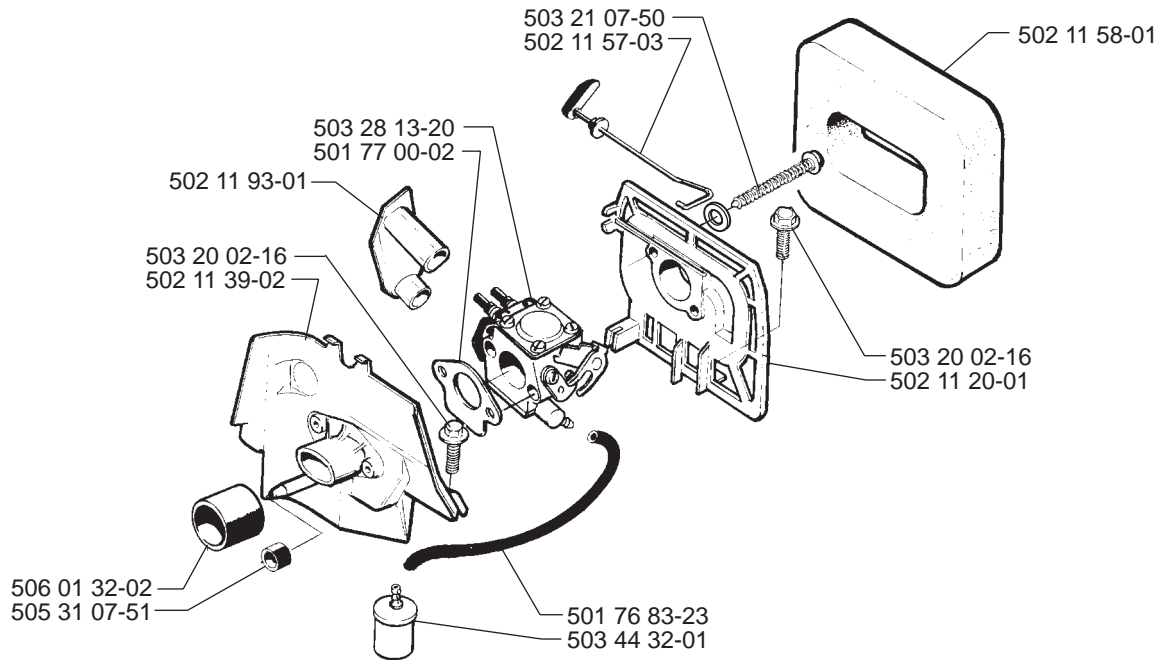
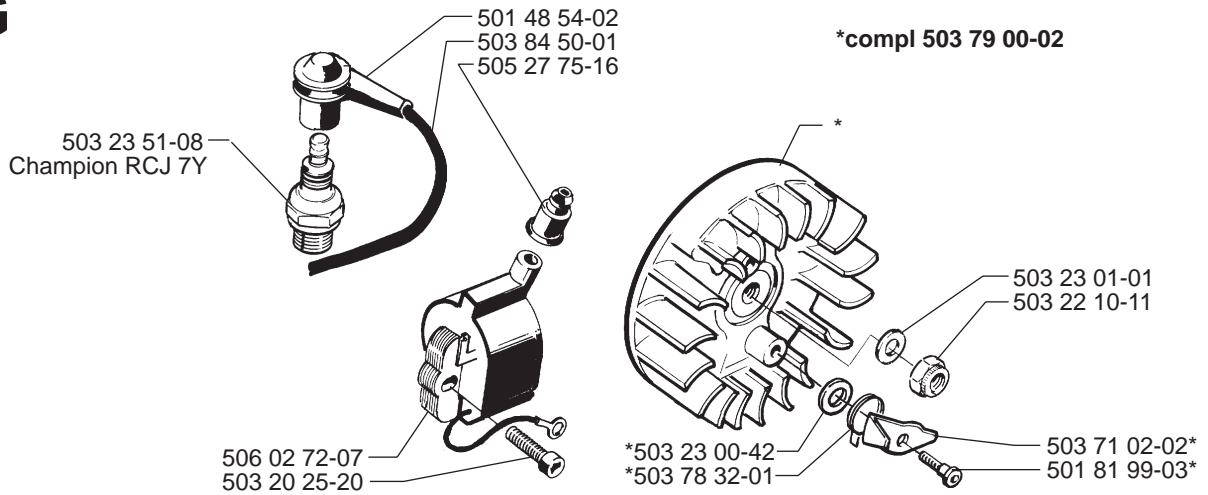
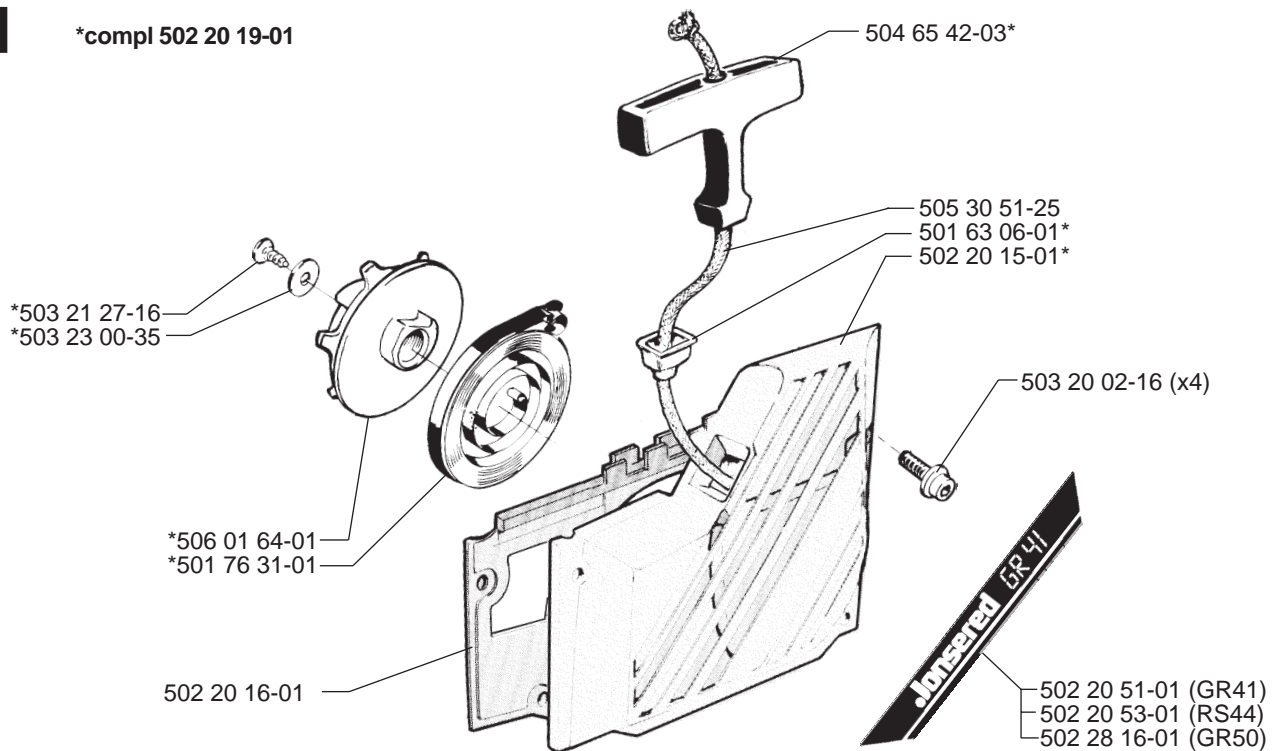
**D**

\*compl 502 12 23-07

(GR 41) 503 97 52-04  
(GR 50) 503 97 52-03  
(RS 44) 503 97 52-02**B**\*compl 503 44 08-02 (RS44)  
\*compl 506 01 06-07 (GR41)  
\*compl 503 62 55-02 (GR50)**F**\*compl 503 57 38-06  
\*\*compl 502 23 02-01**K**

compl 502 11 52-01

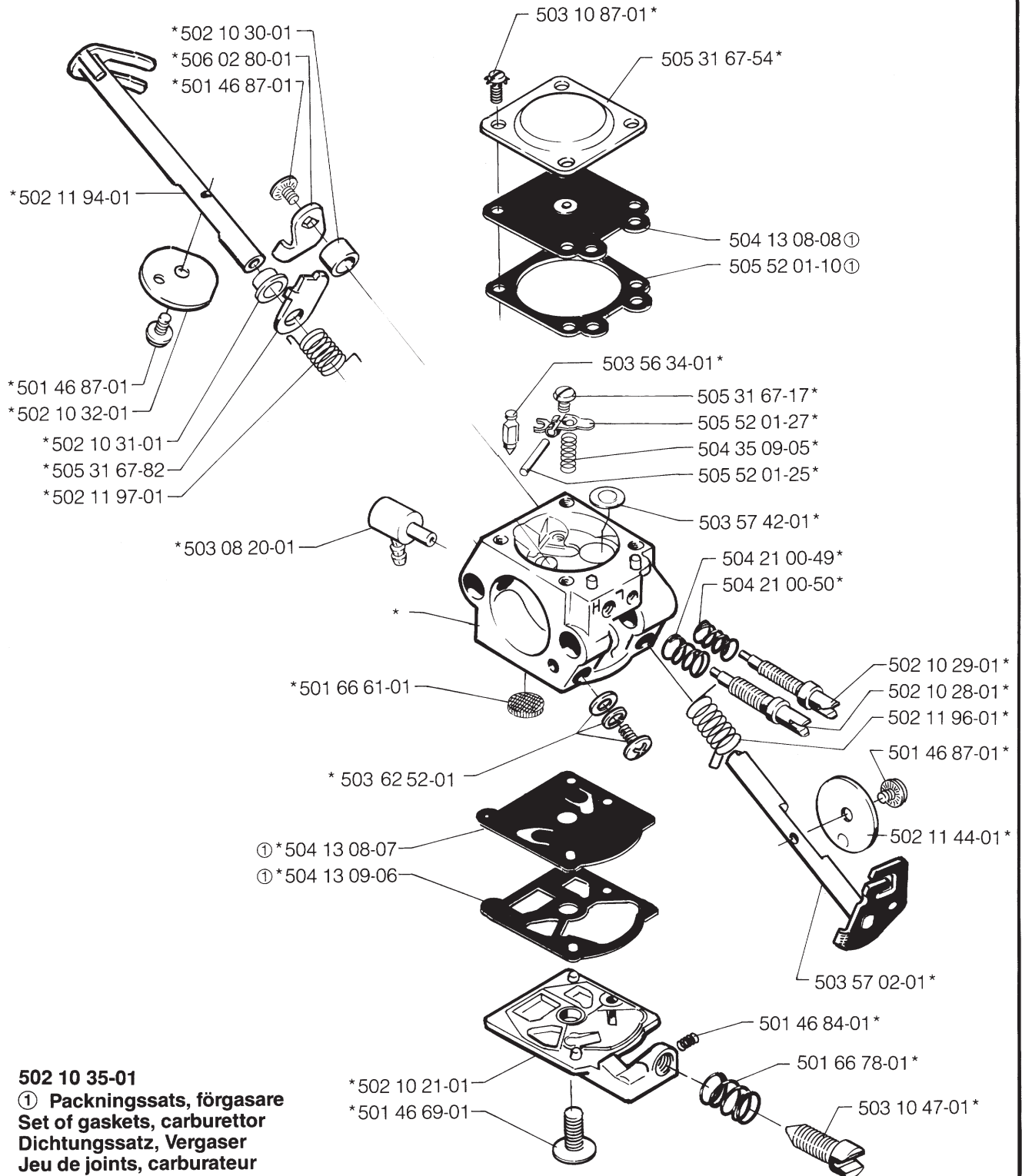
**L**

**C****G****M****\*compl 502 20 19-01**



**N**

\*compl 503 28 13-20

**Walbro WT 99****502 10 35-01**

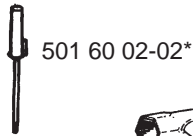
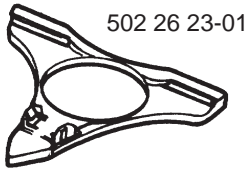
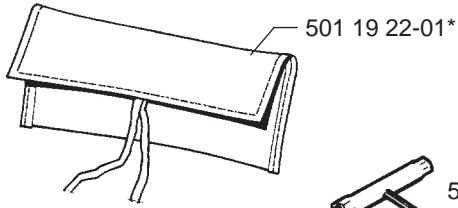
Ⓛ Packningssats, förgasare  
 Set of gaskets, carburettor  
 Dichtungssatz, Vergaser  
 Jeu de joints, carburateur

# O

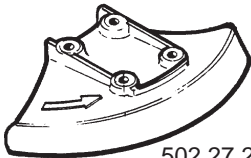
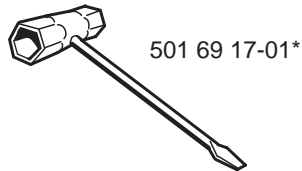
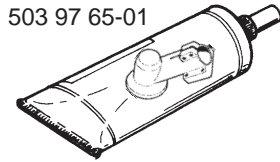
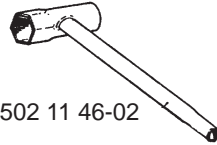
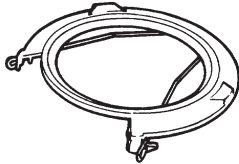
## Accessories Zubehöre Accessoires Accesorios Tillbehör

\*compl 502 12 36-03  
\*compl 502 12 36-05 USA

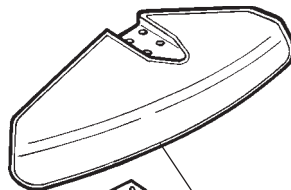
\*compl 502 27 33-03



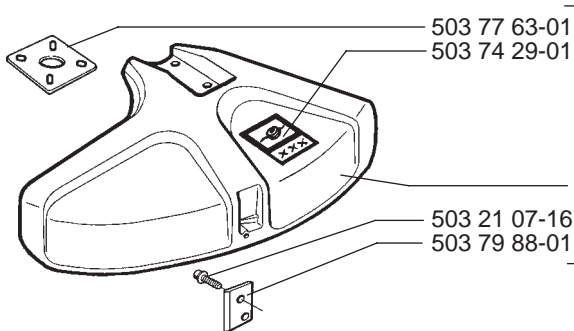
502 03 55-02 (200-250mm)



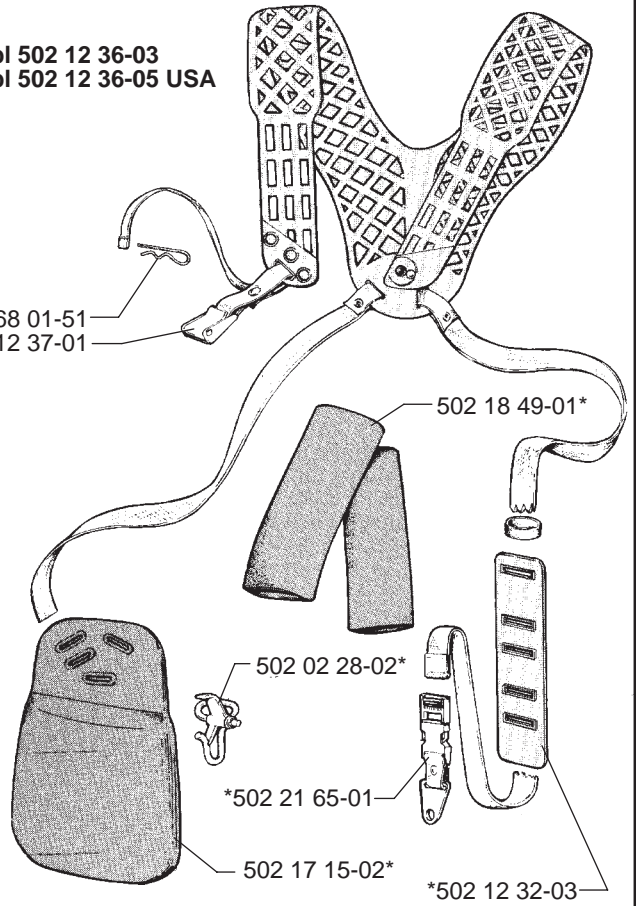
502 03 94-05 225mm



503 77 63-01



compl 503 91 60-03

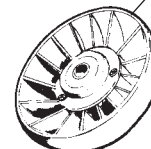
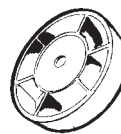


0,1 lit.

Olja Luftfilter  
Oil Airfilter  
Öl Luftfilter  
Aceite Filtro Air  
Huile Filtre air

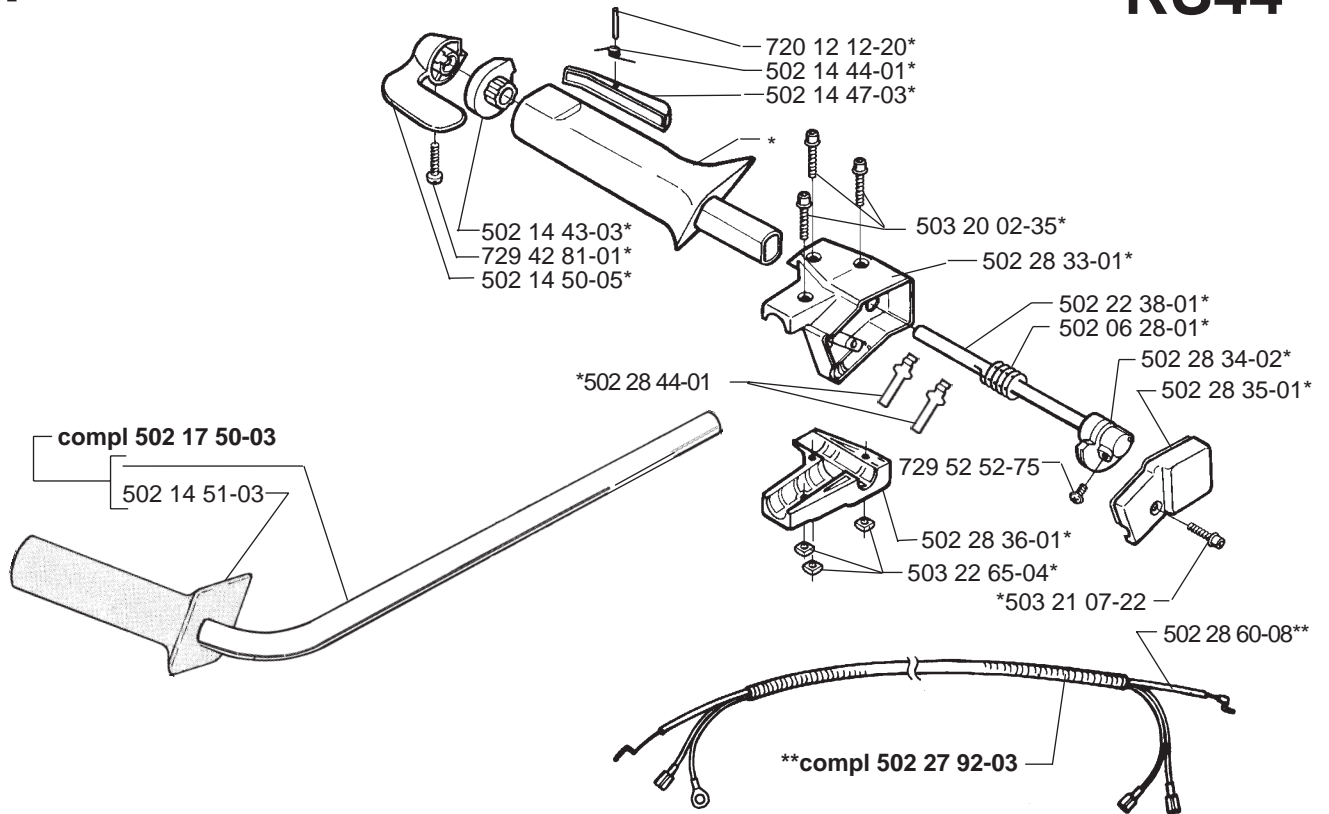


503 47 73-01



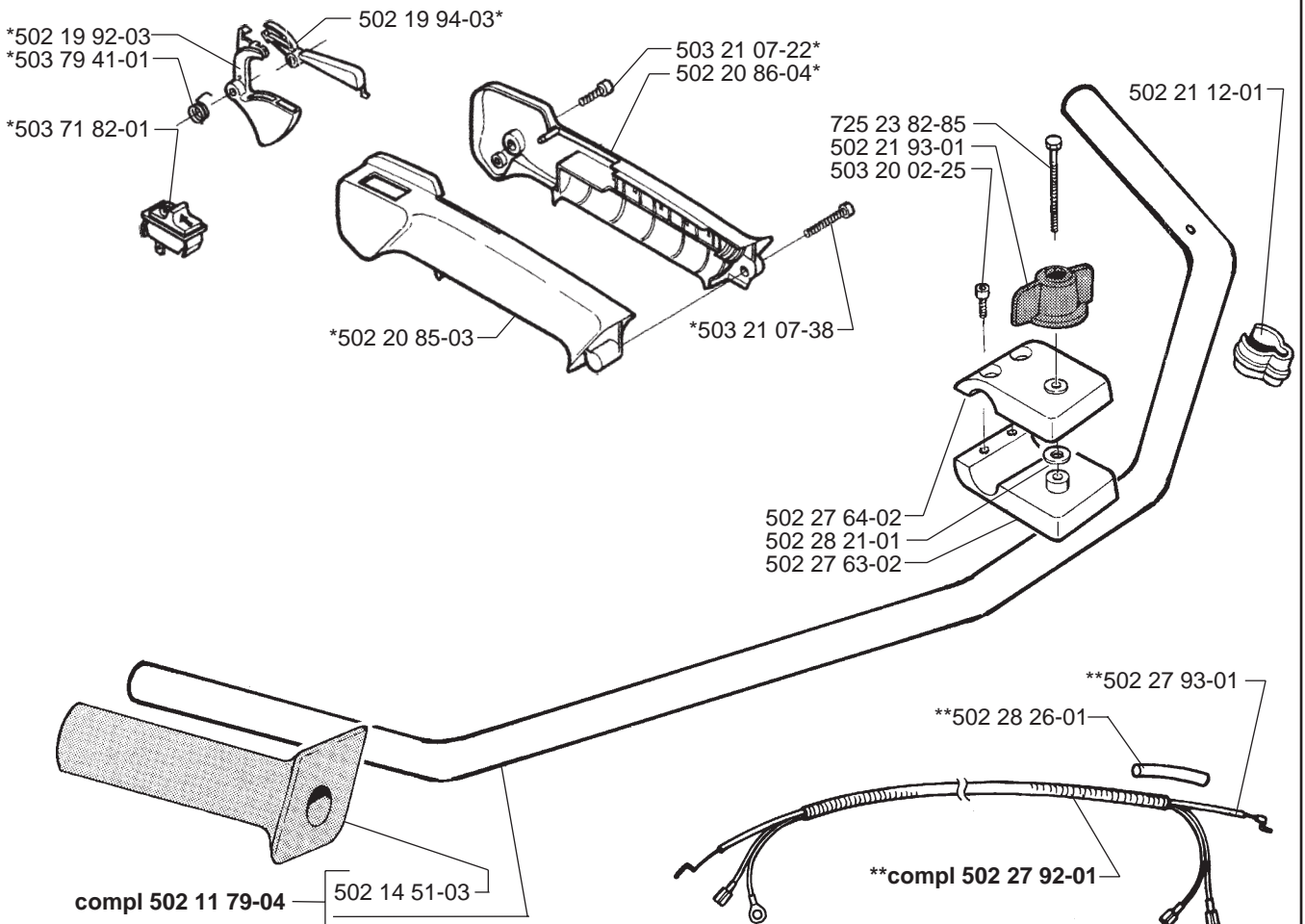
**P** \*compl 502 28 37-02

**RS44**



**Q** \*compl 502 28 06-03

**GR41/50**





PART NUMBER	SQUARE	NOTE	PART NUMBER	SQUARE	NOTE	PART NUMBER	SQUARE	NOTE	PART NUMBER	SQUARE	NOTE
501 19 22-01	O		502 17 50-03	P	N	503 20 09-20	D		505 31 67-54	N	
501 27 82-01	J		502 18 49-01	O		503 20 25-12	E		505 31 67-82	N	
501 45 16-01	BNF		502 19 71-01	H		503 20 25-20	G		505 52 01-10	N	
501 46 69-01	N		502 19 92-03	Q		503 21 06-32	J		505 52 01-25	N	
501 46 84-01	N		502 19 94-03	Q		503 21 07-16	O	N	505 52 01-27	N	
501 46 87-01	N		502 20 15-01	M		503 21 07-22	PQ	N	506 01 06-07	B	
501 48 54-02	G		502 20 16-01	M		503 21 07-38	Q		506 01 32-02	C	
501 60 02-02	O		502 20 19-01	M		503 21 07-50	C	N	506 01 64-01	M	
501 63 06-01	M		502 20 21-01	E		503 21 27-16	M		506 02 72-07	G	
501 66 61-01	N		502 20 51-01	M	N	503 21 82-01	E		506 02 80-01	N	
501 66 78-01	N		502 20 53-01	M	N	503 22 10-11	G		537 00 76-01	H	N
501 68 89-01	O		502 20 85-03	Q		503 22 10-12	H		720 12 12-20	P	N
501 69 17-01	O		502 20 86-04	Q		503 22 20-05	E		721 68 01-51	O	
501 76 31-01	M		502 21 12-01	Q		503 22 65-04	P	N	725 23 82-85	Q	
501 76 83-23	C		502 21 18-01	J		503 23 00-10	E		729 42 81-01	P	N
501 77 00-02	C		502 21 58-01	O		503 23 00-35	M		729 52 52-75	P	N
501 81 99-03	G		502 21 65-01	O		503 23 00-42	G		735 31 17-00	A	N
502 02 28-02	O		502 21 93-01	Q		503 23 00-62	H	N	737 44 10-00	B	
502 03 10-03	A		502 22 15-02	H		503 23 01-01	G		738 21 02-00	A	N
502 03 55-02	O		502 22 16-02	H	N	503 23 51-08	G		738 21 02-04	A	N
502 03 94-05	O		502 22 23-01	A	N	503 28 13-20	CN		738 22 02-25	F	
502 04 55-01	A		502 22 26-01	A	N	503 28 90-03	B		738 22 03-25	A	N
502 06 28-01	P	N	502 22 38-01	P	N	503 28 90-05	B		740 42 24-00	A	N
502 10 21-01	N		502 22 53-01	H	N	503 28 90-10	B		740 44 08-00	A	
502 10 28-01	N		502 22 67-01	A	N	503 44 08-02	B		740 51 13-01	A	
502 10 29-01	N		502 22 68-01	A	N	503 44 10-01	B		740 51 36-00	A	N
502 10 30-01	N		502 23 02-01	F		503 44 32-01	C				
502 10 31-01	N		502 26 23-01	O		503 47 73-01	O	N			
502 10 32-01	N		502 26 34-03	O		503 48 90-01	B				
502 10 35-01	N		502 26 89-01	A	N						
502 11 07-05	L		502 26 93-02	A		503 56 34-01	N				
502 11 20-01	C		502 26 95-01	A		503 57 02-01	N				
502 11 22-03	E	N	502 27 22-01	O		503 57 38-06	F				
502 11 23-01	E		502 27 25-01	A		503 57 42-01	N				
502 11 25-01	E		502 27 28-01	A		503 57 89-01	J				
502 11 38-01	J		502 27 33-03	O		503 62 52-01	N				
502 11 39-02	C		502 27 63-02	Q		503 62 55-02	B				
502 11 44-01	N		502 27 64-02	Q		503 62 56-01	B				
502 11 45-02	D		502 27 92-01	Q		503 71 02-02	G				
502 11 46-02	O		502 27 92-03	P	N	503 71 82-01	Q				
502 11 51-05	J		502 27 93-01	Q		503 74 29-01	O	N			
502 11 52-01	K		502 28 06-03	Q		503 77 63-01	O				
502 11 57-03	C		502 28 16-01	M	N	503 78 32-01	G				
502 11 58-01	C		502 28 21-01	Q		503 79 00-02	G				
502 11 59-02	A		502 28 24-01	H		503 79 41-01	Q				
502 11 76-04	A		502 28 26-01	Q		503 79 88-01	O	N			
502 11 76-05	A		502 28 33-01	P	N	503 79 90-01	A	N			
502 11 77-01	K		502 28 34-02	P	N	503 82 80-01	J	N			
502 11 79-04	Q		502 28 35-01	P	N	503 84 50-01	G				
502 11 93-01	C		502 28 36-01	P	N	503 90 18-01	O	N			
502 11 94-01	N		502 28 37-02	P	N	503 91 60-03	O	N			
502 11 96-01	N		502 28 44-01	P		503 97 52-02	D	N			
502 11 97-01	N		502 28 55-01	A		503 97 52-03	D	N			
502 12 02-03	A		502 28 56-01	A		503 97 52-04	D	N			
502 12 02-05	A		502 28 57-02	A	N	503 97 65-01	O	N			
502 12 20-01	E		502 28 59-01	O		503 99 75-01	H	N			
502 12 23-07	D		502 28 60-08	P	N	503 99 76-01	H	N			
502 12 32-03	O		502 28 62-01	A	N	504 13 08-07	N				
502 12 36-03	O		503 08 20-01	N		504 13 08-08	N				
502 12 36-05	O		503 10 23-02	E		504 13 09-06	N				
502 12 37-01	O		503 10 47-01	N		504 21 00-16	K	N			
502 12 56-02	E		503 10 87-01	N		504 21 00-49	N				
502 14 43-03	P	N	503 17 31-02	K	N	504 21 00-50	N				
502 14 44-01	P	N	503 20 02-16	ACM		504 35 09-05	N				
502 14 47-03	P	N	503 20 02-20	K		504 65 42-03	M				
502 14 50-05	P	N	503 20 02-25	KQ		505 27 57-19	F				
502 14 51-03	PQ		503 20 02-30	A	N	505 27 75-16	G				
502 15 70-01	O		503 20 02-35	H		505 30 51-25	M				
502 16 00-01	J		503 20 02-45	H	N	505 31 07-51	C				
502 17 15-02	O		503 20 04-35	L		505 31 67-17	N				