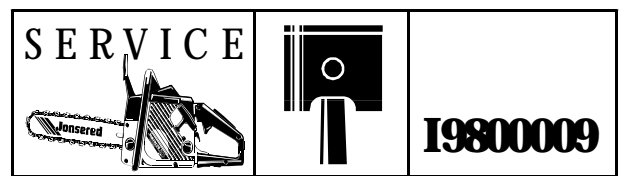


**Jonsered**



IPL, GR2032, GR2036, 1998-02, 106 24 75-61

# GR2032, GR2036

**Spare parts**

**Ersatzteile**

**Pièces détachées**

**Reserve onderdelen**

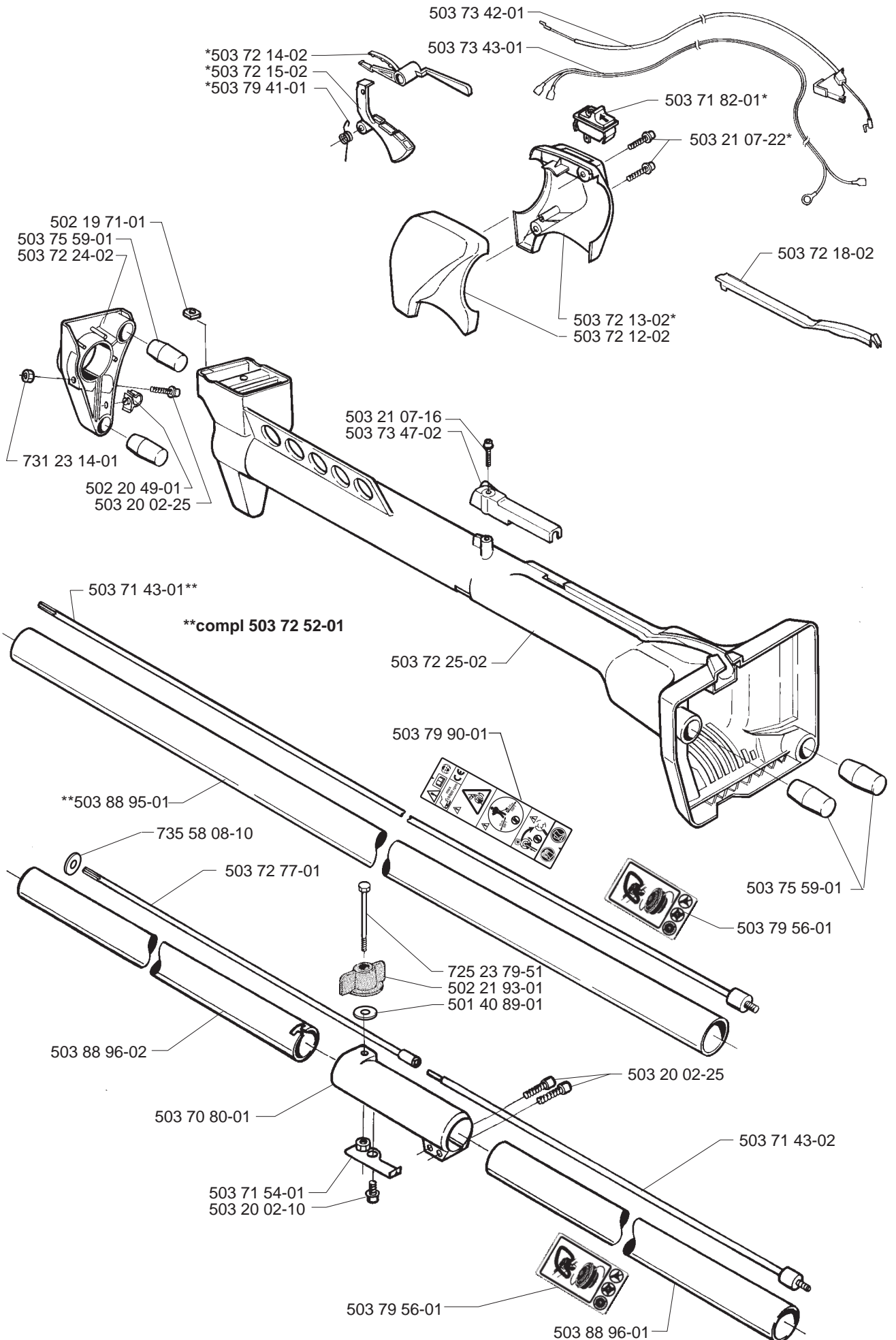
**Repuestos**

**Reservdelar**

**A**

\*compl 503 78 05-04

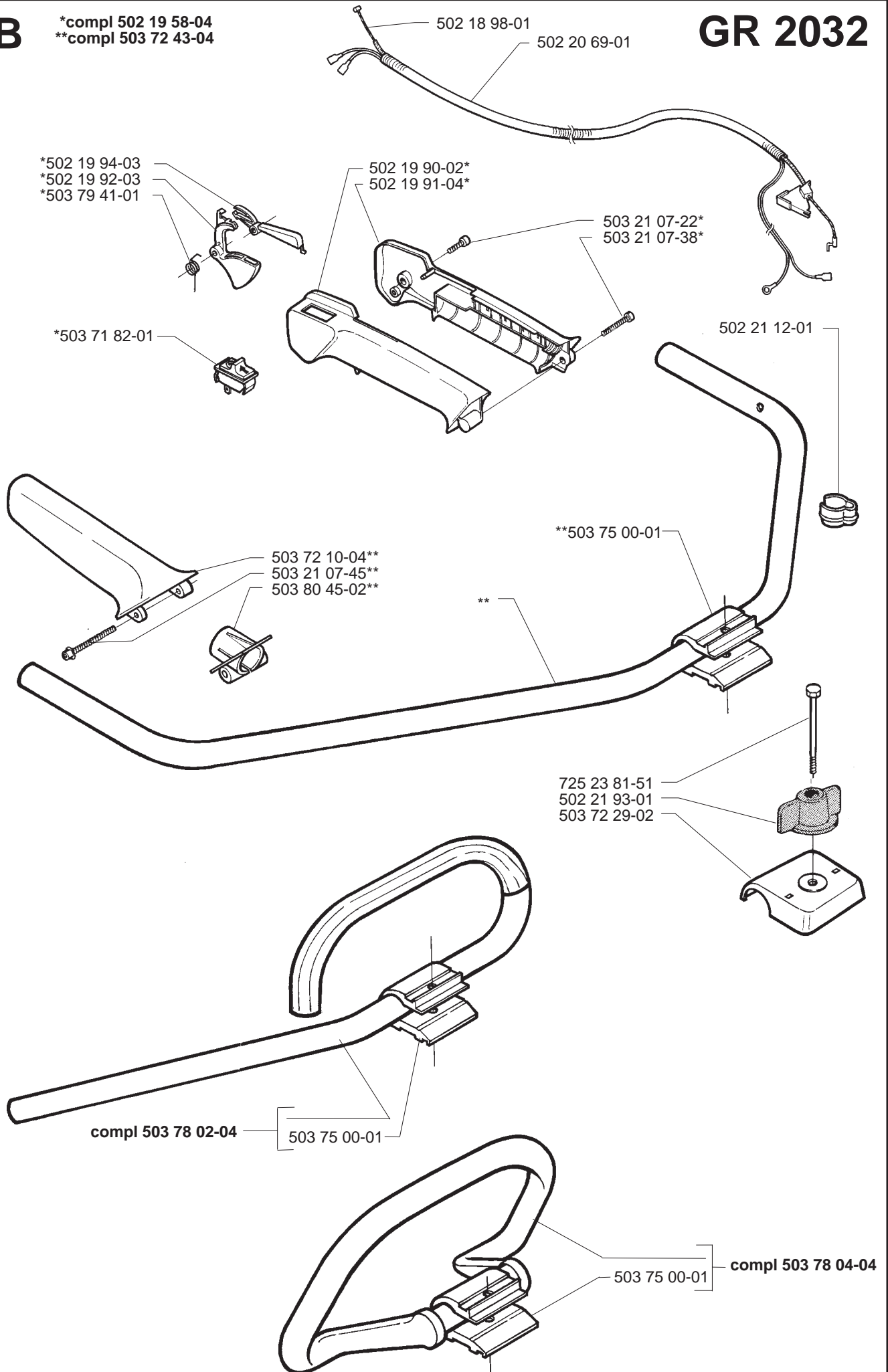
**GR 2032**

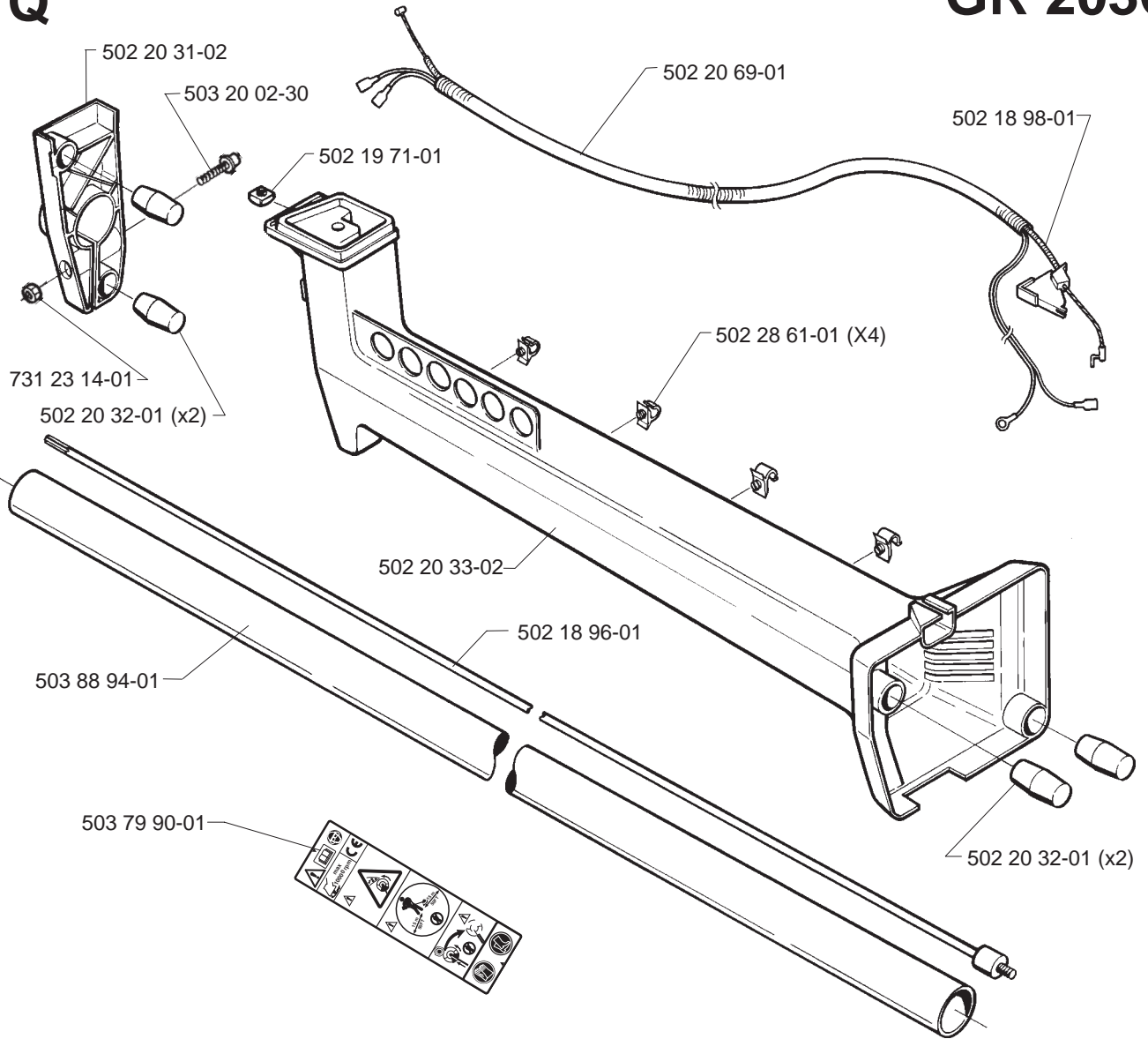


**B**

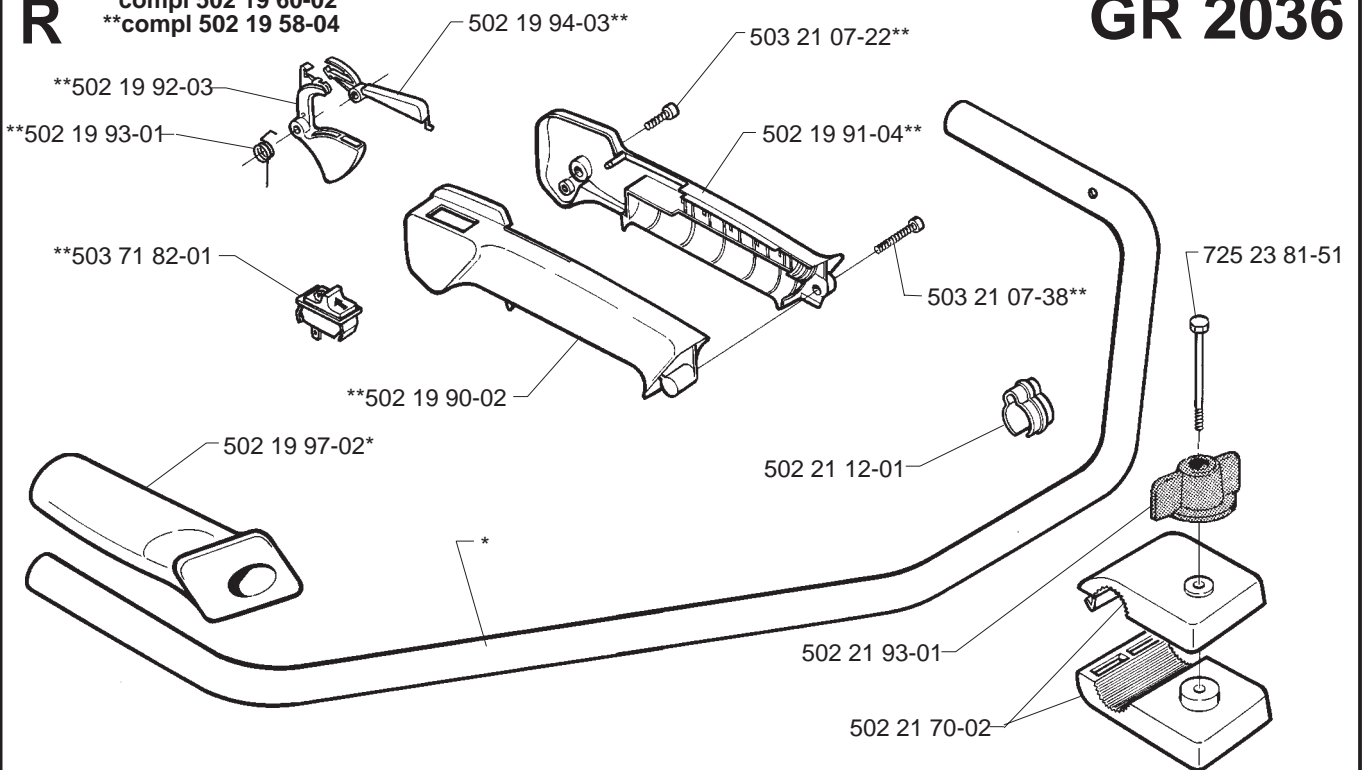
\*compl 502 19 58-04  
\*\*compl 503 72 43-04

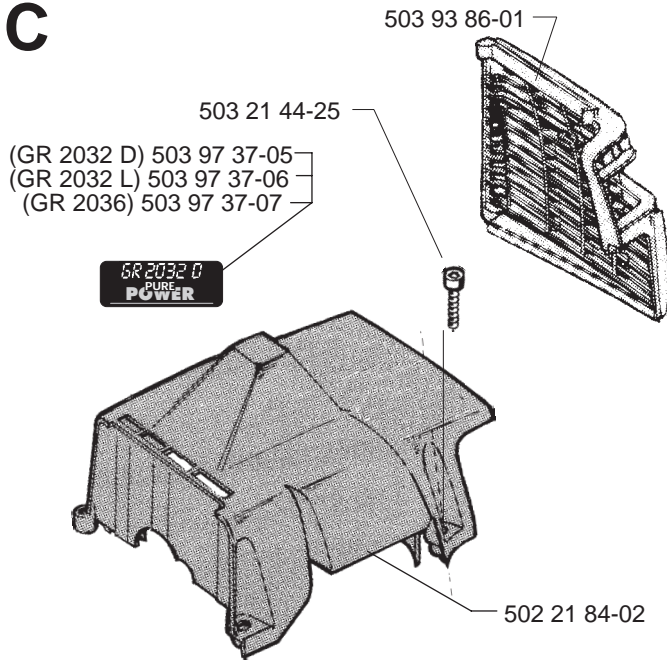
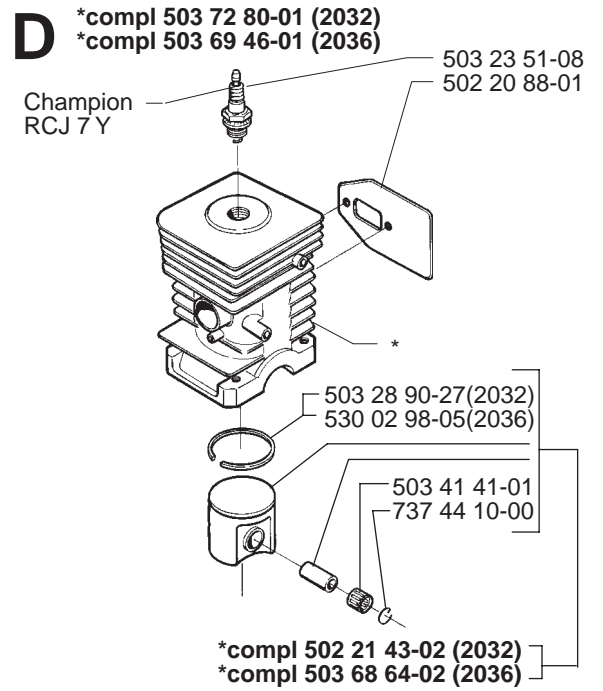
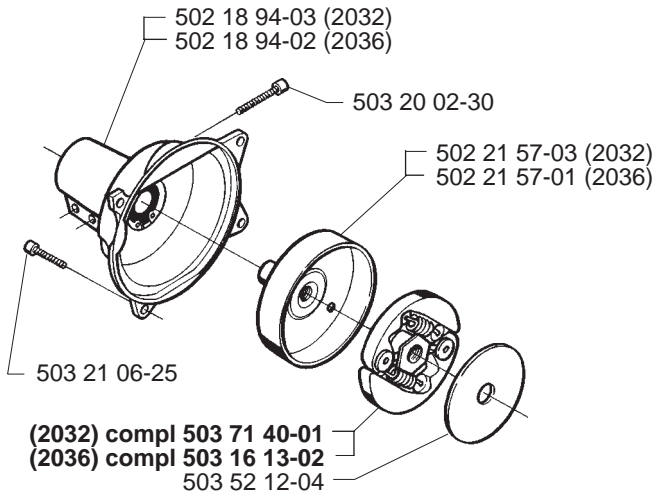
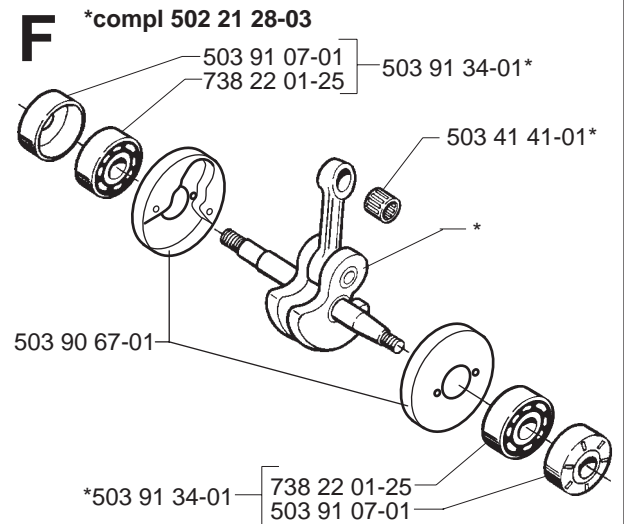
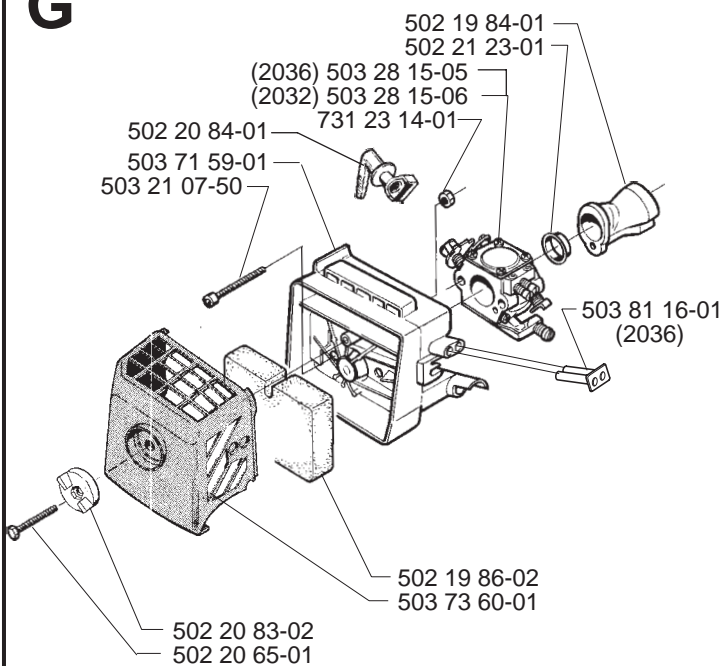
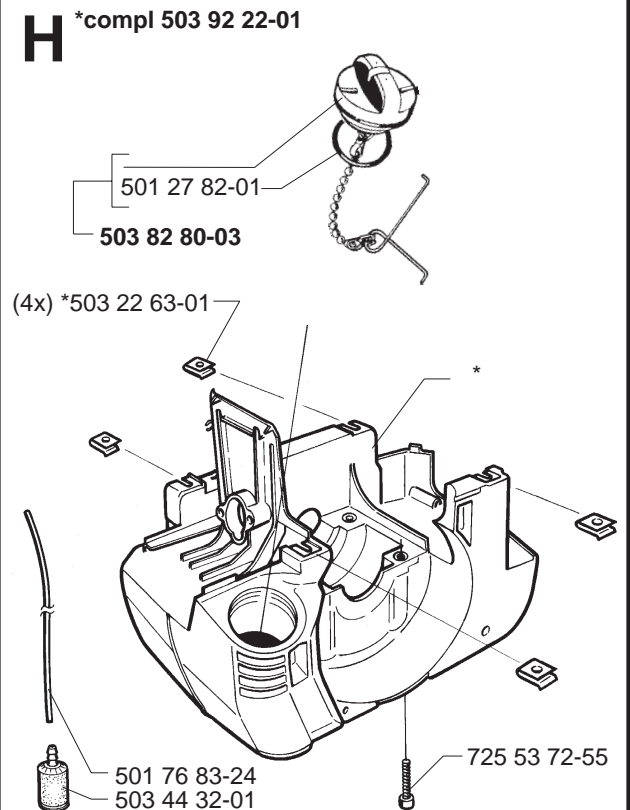
**GR 2032**

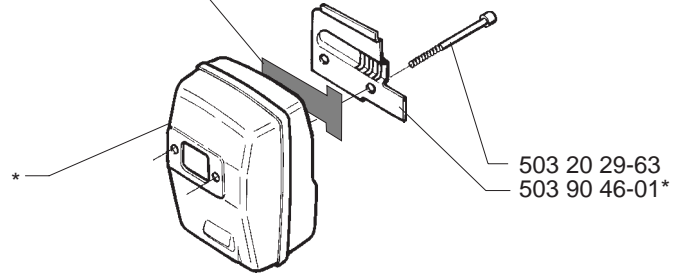


**Q****GR 2036****R**

\*compl 502 19 60-02  
 \*\*compl 502 19 58-04

**GR 2036**

**C****D****E****F****G****H**

**J****\*compl 503 90 47-01****\*503 91 25-01**

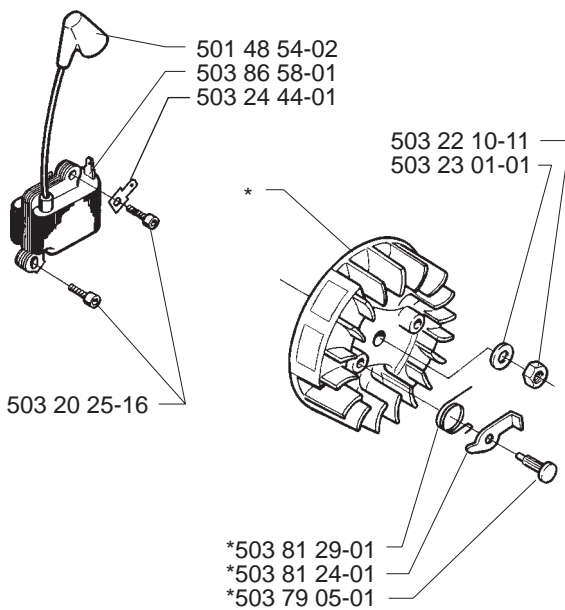
503 20 29-63  
503 90 46-01\*

**K****compl 502 21 92-03 GR 2032****503 69 63-01****503 85 32-01****738 21 99-00****503 20 02-25**

738 22 01-19  
503 70 55-01  
735 31 31-10

**503 71 48-01****503 20 02-20****503 75 34-01****738 21 99-00****735 31 11-00****735 31 25-10****503 69 67-01****503 70 07-01****503 70 29-01****compl 503 75 83-01 GR 2036****503 69 63-01****503 75 84-01****738 21 01-00****503 20 02-25**

738 22 02-19  
503 75 89-01  
735 31 33-10

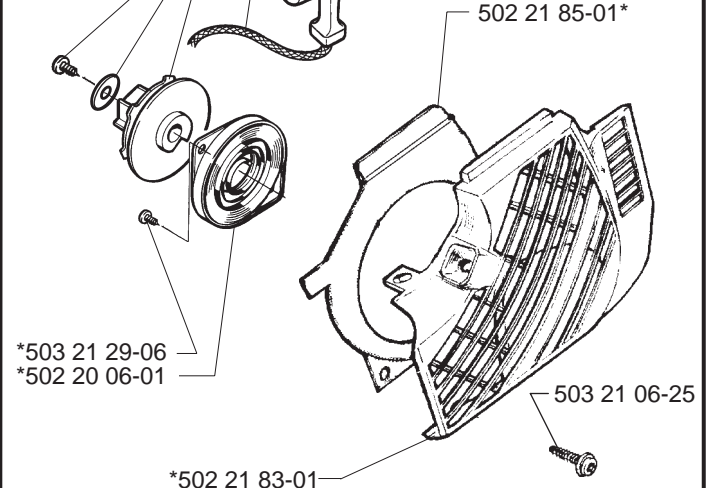
**503 20 02-20****503 84 38-01****738 21 01-00****735 31 14-00****735 31 28-10****502 19 36-01****502 19 46-01****502 03 10-03****502 04 55-01****L****\*compl 503 79 06-01**

501 48 54-02  
503 86 58-01  
503 24 44-01

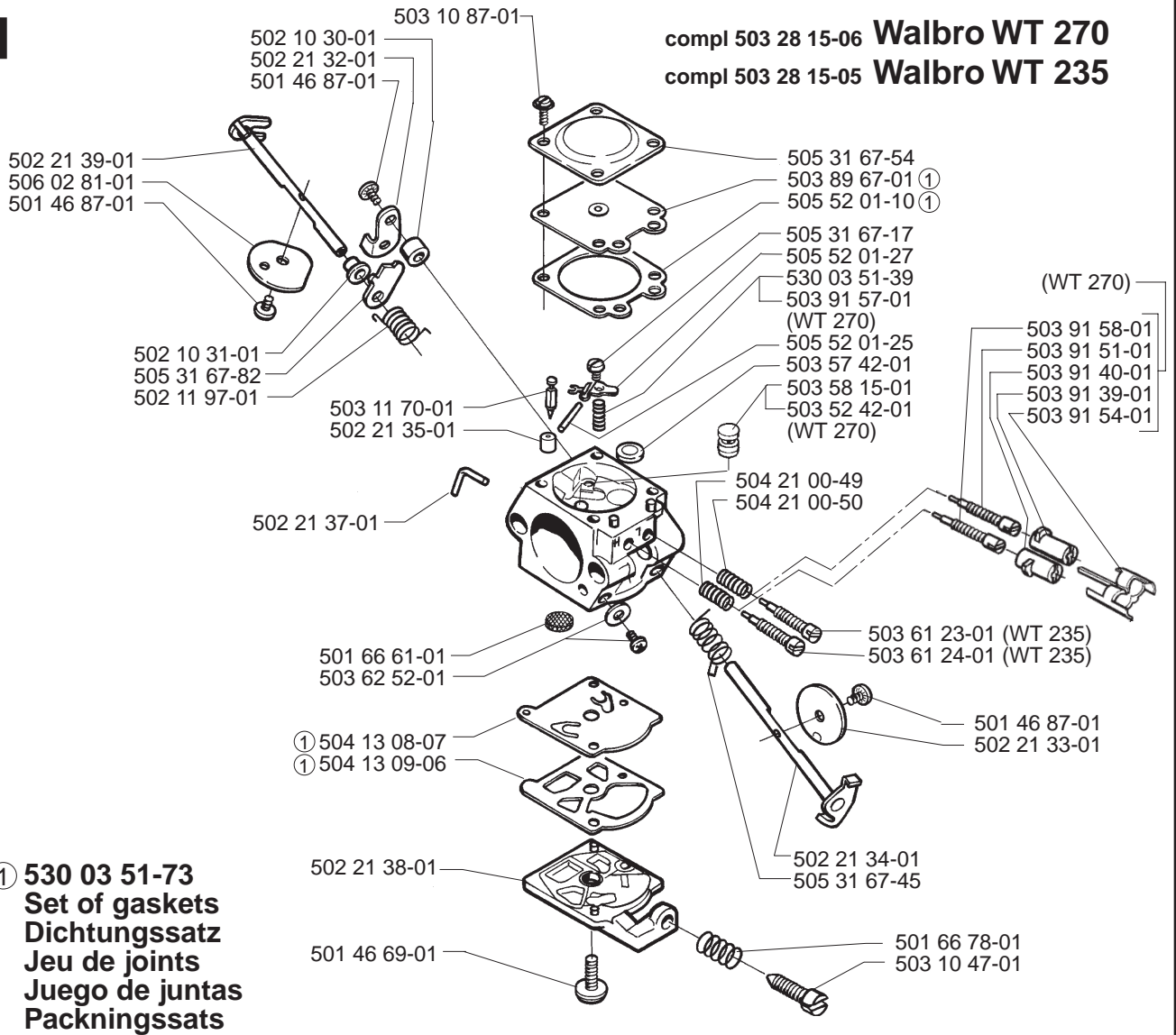
**503 20 25-16**

503 22 10-11  
503 23 01-01

\*503 81 29-01  
\*503 81 24-01  
\*503 79 05-01

**M****\*530 03 73-57****\*505 30 51-25****\*compl 502 21 95-01****\*503 77 53-01****\*503 23 00-35****\*503 21 06-16****502 21 85-01\*****\*503 21 29-06****\*502 20 06-01****503 21 06-25****\*502 21 83-01****502 21 98-20 (GR 2032 D)****502 21 98-21 (GR 2032 L)****502 21 98-22 (GR 2036)****Jonsred GR 2032 D**

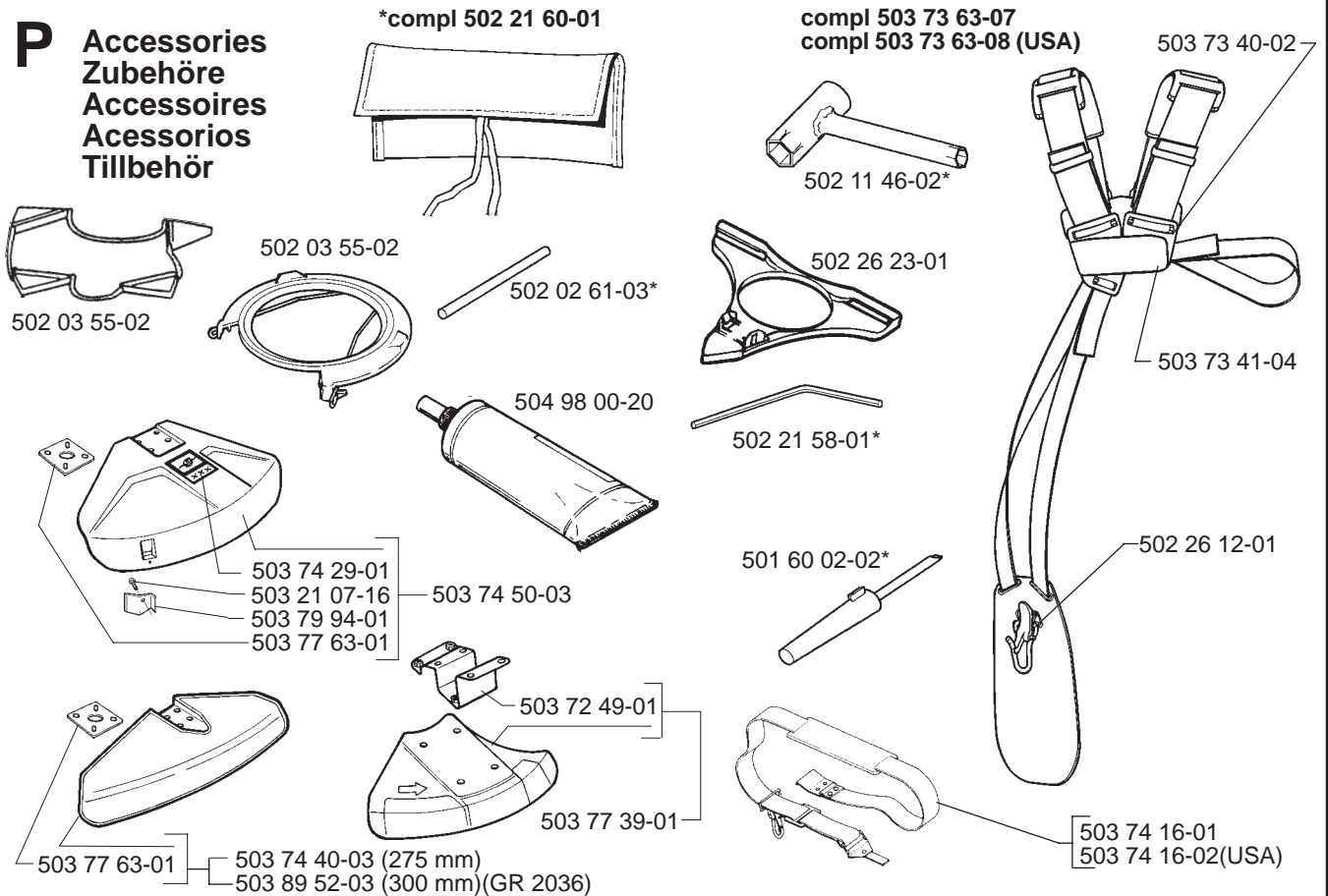


**N**

① **530 03 51-73**  
**Set of gaskets**  
**Dichtungssatz**  
**Jeu de joints**  
**Juego de juntas**  
**Packningssats**

**P**

**Accessories**  
**Zubehöre**  
**Accessoires**  
**Accesorios**  
**Tillbehör**



PART NUMBER	SQUARE	NOTE	PART NUMBER	SQUARE	NOTE	PART NUMBER	SQUARE	NOTE	PART NUMBER	SQUARE	NOTE
501 27 82-01 H			503 10 47-01 N			503 73 42-01 A			505 31 67-54 N		
501 40 89-01 A			503 10 87-01 N			503 73 43-01 A			505 31 67-82 N		
501 46 69-01 N			503 11 70-01 N			503 73 47-02 A			505 52 01-10 N		
501 46 87-01 N			503 16 13-02 E			503 73 60-01 G			505 52 01-25 N		
501 48 54-02 L			503 20 02-10 A			503 73 63-07 P			505 52 01-27 N		
501 60 02-02 P			503 20 02-20 K			503 73 63-08 P			506 02 81-01 N		
501 66 61-01 N			503 20 02-25 AK			503 74 16-01 P			530 02 98-05 D		
501 66 78-01 N			503 20 02-30 EQ			503 74 16-02 P			530 03 51-39 N		
501 76 83-24 H			503 20 25-16 L			503 74 29-01 P			530 03 51-73 N		
502 02 61-03 P			503 20 29-63 J			503 74 40-03 P			530 03 73-57 M		
502 03 55-02 P			502 20 84-01 G	N		503 74 50-03 P			725 23 79-51 A		
502 04 55-01 K			503 21 06-16 M			503 75 00-01 B			725 23 81-51 BR		
502 10 30-01 N			503 21 06-25 EM			503 75 00-01 B			725 53 72-55 H		
502 10 31-01 N			503 21 07-16 AP			503 75 34-01 K			731 23 14-01 AGQ		
502 11 46-02 P			503 21 07-22 B			503 75 59-01 A			735 31 11-00 K		
502 11 97-01 N			503 21 07-22 AR			503 75 83-01 K	N		735 31 14-00 K		
502 18 94-02 E			503 21 07-38 BR			503 75 84-01 K	N		735 31 25-10 K		
502 18 94-03 E			503 21 07-45 B			503 75 89-01 K	N		735 31 28-10 K		
502 18 96-01 Q			503 21 07-50 G	N		503 77 39-01 P			735 31 31-10 K		
502 18 98-01 BQ			503 21 29-06 M			503 77 53-01 M			735 31 33-10 K		
502 19 36-01 K			503 21 44-25 C			503 77 63-01 P			735 58 08-10 A	N	
502 19 46-01 K			503 22 10-11 L			503 78 02-04 B			737 44 10-00 D		
502 19 58-04 BR			503 22 63-01 H			503 78 04-04 B			738 21 01-00 K		
502 19 60-02 R			503 23 00-35 M			503 78 05-04 A			738 21 99-00 K		
502 19 71-01 AQ			503 23 01-01 L			503 79 05-01 L			738 22 01-19 K		
502 19 84-01 G			503 23 51-08 D			503 79 06-01 L			738 22 01-25 F		
502 19 86-02 G			503 24 44-01 L			503 79 41-01 AB			738 22 02-19 K		
502 19 90-02 BR			502 26 12-01 P			503 79 56-01 A					
502 19 91-04 BR			503 28 15-05 GN			503 79 90-01 AQ					
502 19 92-03 BR			503 28 15-06 GN			503 79 94-01 P					
502 19 93-01 R			503 28 90-27 D			503 80 45-02 B					
502 19 94-03 BR			503 41 41-01 DF			503 81 16-01 G					
502 19 97-02 R			503 44 32-01 H			503 81 24-01 L					
502 20 06-01 M			503 52 12-04 E			503 81 29-01 L					
502 20 31-02 Q			503 52 42-01 N			503 82 80-03 H					
502 20 32-01 Q			503 57 42-01 N			503 84 38-01 K					
502 20 33-02 Q			503 58 15-01 N			503 85 32-01 K					
502 20 49-01 A			503 61 23-01 N			503 86 58-01 L					
502 03 10-03 K	N		503 61 24-01 N			503 88 94-01 Q					
502 20 65-01 G			503 62 52-01 N			503 88 95-01 A					
502 20 69-01 BQ			503 68 64-02 D			503 88 96-01 A					
502 20 83-02 G			503 69 46-01 D			503 88 96-02 A					
502 20 88-01 D			503 69 63-01 K			503 89 52-03 P	N				
502 21 12-01 BR			503 69 67-01 K			503 89 67-01 N					
502 21 23-01 G			503 70 07-01 K			*503 91 25-01 J	N				
502 21 28-03 F			503 70 29-01 K			503 90 46-01 J					
502 21 32-01 N			503 70 55-01 K			503 90 47-01 J	N				
502 21 33-01 N			503 70 80-01 A			503 90 67-01 F					
502 21 34-01 N			503 71 43-01 AE			503 91 07-01 F					
502 21 35-01 N			503 71 43-02 A			503 91 34-01 F					
502 21 37-01 N			503 71 48-01 K			503 91 39-01 N					
502 21 38-01 N			503 71 54-01 A			503 91 40-01 N					
502 21 39-01 N			503 71 59-01 G			503 91 51-01 N					
502 21 43-02 D			503 71 82-01 ABR			503 91 54-01 N					
502 21 57-01 E			503 72 10-04 B			503 91 57-01 N					
502 21 57-03 E			503 72 12-02 A			503 91 58-01 N					
502 21 58-01 P			503 72 13-02 A			503 92 22-01 H					
502 21 60-01 P			503 72 14-02 A			503 92 23-01 N					
502 21 70-02 R			503 72 15-02 A			503 93 86-01 C	N				
502 21 83-01 M			503 72 18-02 A			503 97 37-05 C	N				
502 21 84-02 C	N		503 72 24-02 A			503 97 37-06 C	N				
502 21 85-01 M			503 72 25-02 A			503 97 37-07 C	N				
502 21 92-03 K			503 72 29-02 B			504 13 08-07 N					
502 21 93-01 ABR			503 72 43-04 B			504 13 09-06 N					
502 21 95-01 M			503 72 49-01 P			504 21 00-49 N					
502 21 98-20 M	N		503 72 52-01 A			504 21 00-50 N					
502 21 98-21 M	N		503 72 77-01 A			504 98 00-20 P					
502 21 98-22 M	N		503 72 80-01 D			505 30 51-25 M					
502 26 23-01 P			503 73 40-02 P			505 31 67-17 N					
502 28 61-01 Q			503 73 41-04 P			505 31 67-45 N					