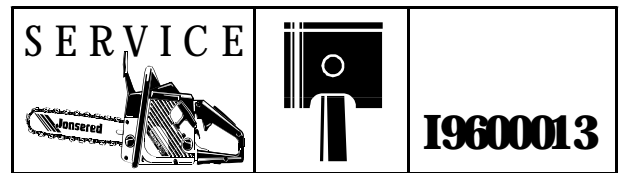


Jonsered



IPL, GT400 EL, 1996.03.11-01, 108 07 02-02

GT400 EL

Spare parts

Ersatzteile

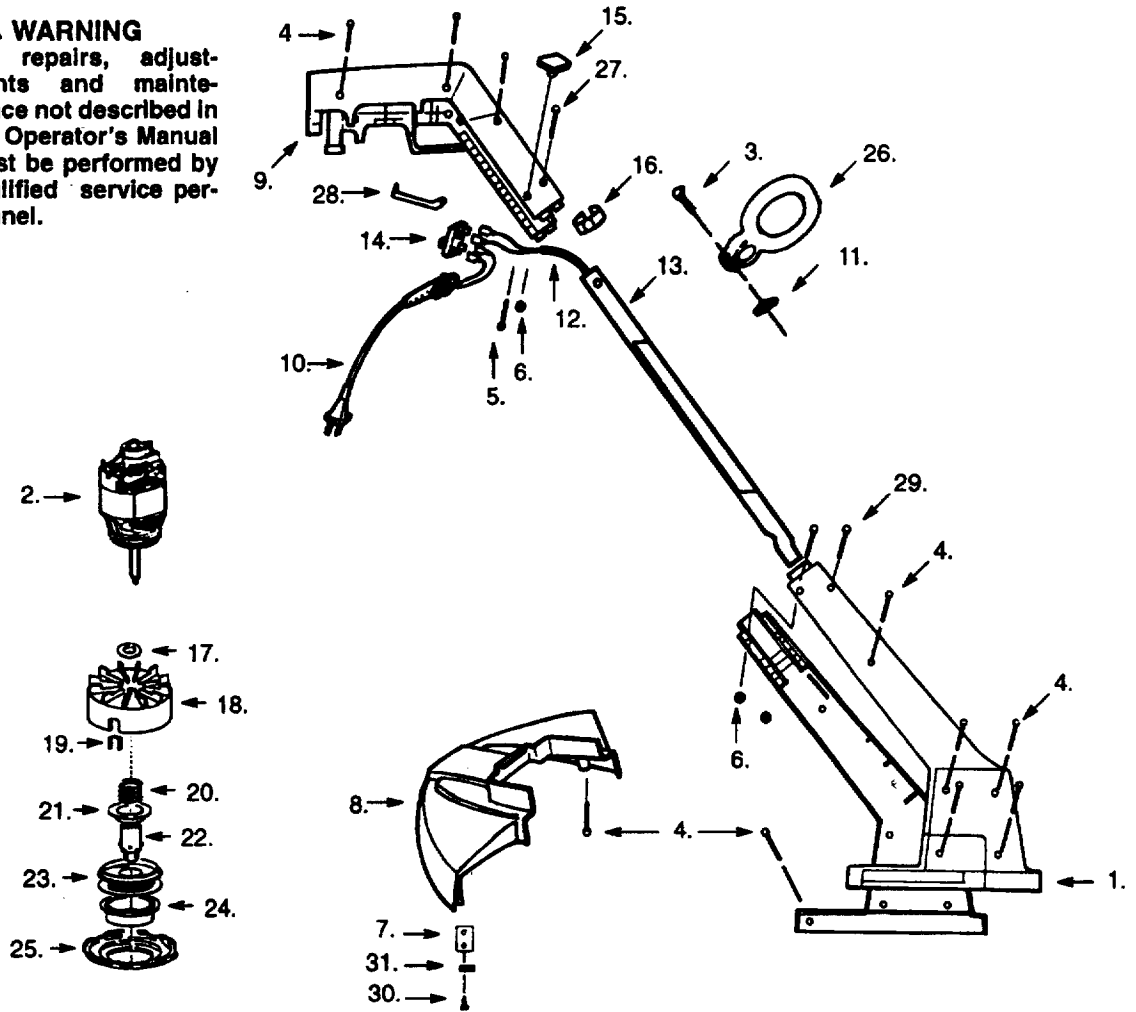
Pièces détachées

Reserve onderdelen

Repuestos

Reservdelar

⚠ WARNING
 All repairs, adjustments and maintenance not described in the Operator's Manual must be performed by qualified service personnel.



KEY NO.	PART NO.	DESCRIPTION
1	530 40 06-11	Motor Hsg. Set
2	530 40 13-39	Motor Ass'y.
3	530 34 02-28	Bolt
4	530 35 20-36	Screw
5	530 34 80-50	Screw
6	534 79 05-00	Nut
7	530 35 18-02	Line Limiter
8	530 40 06-29	Shield
9	530 40 10-03	Upper Handle Set
10	530 40 14-01	Cord/Plug Ass'y.
11	530 09 13-73	Wing Nut
12	530 40 20-55	Wiring Harness (Incl. 10 & 14)
13	530 40 12-80	Tube
14	530 40 27-05	Switch
15	530 34 78-98	Knob

KEY NO.	PART NO.	DESCRIPTION
16	530 40 15-55	Snap Button
17	530 34 79-86	Washer
18	530 40 00-08	Hub
19	530 34 05-94	Line Saver
20	530 34 00-06	Spring
21	530 34 07-32	Spring Cap
22	530 35 03-66	Drive Gear Ass'y.
23	952 71 55-59	Spool w/Line
24	530 40 00-09	Release Button
25	530 40 00-07	Cover
26	530 32 22-96	Assist Handle
27	530 40 00-23	Screw
28	530 35 18-26	Trigger
29	530 40 00-24	Screw
30	530 35 18-00	Screw
31	530 35 18-01	Blade Cover