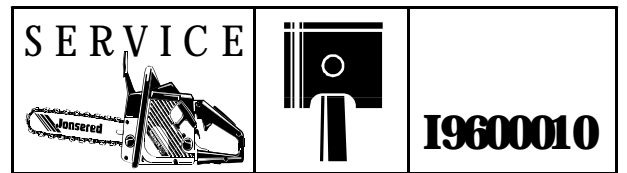


Jonsered



IPL, HT21, 1996.03.08-01, 108 07 02-47

HT21

Spare parts

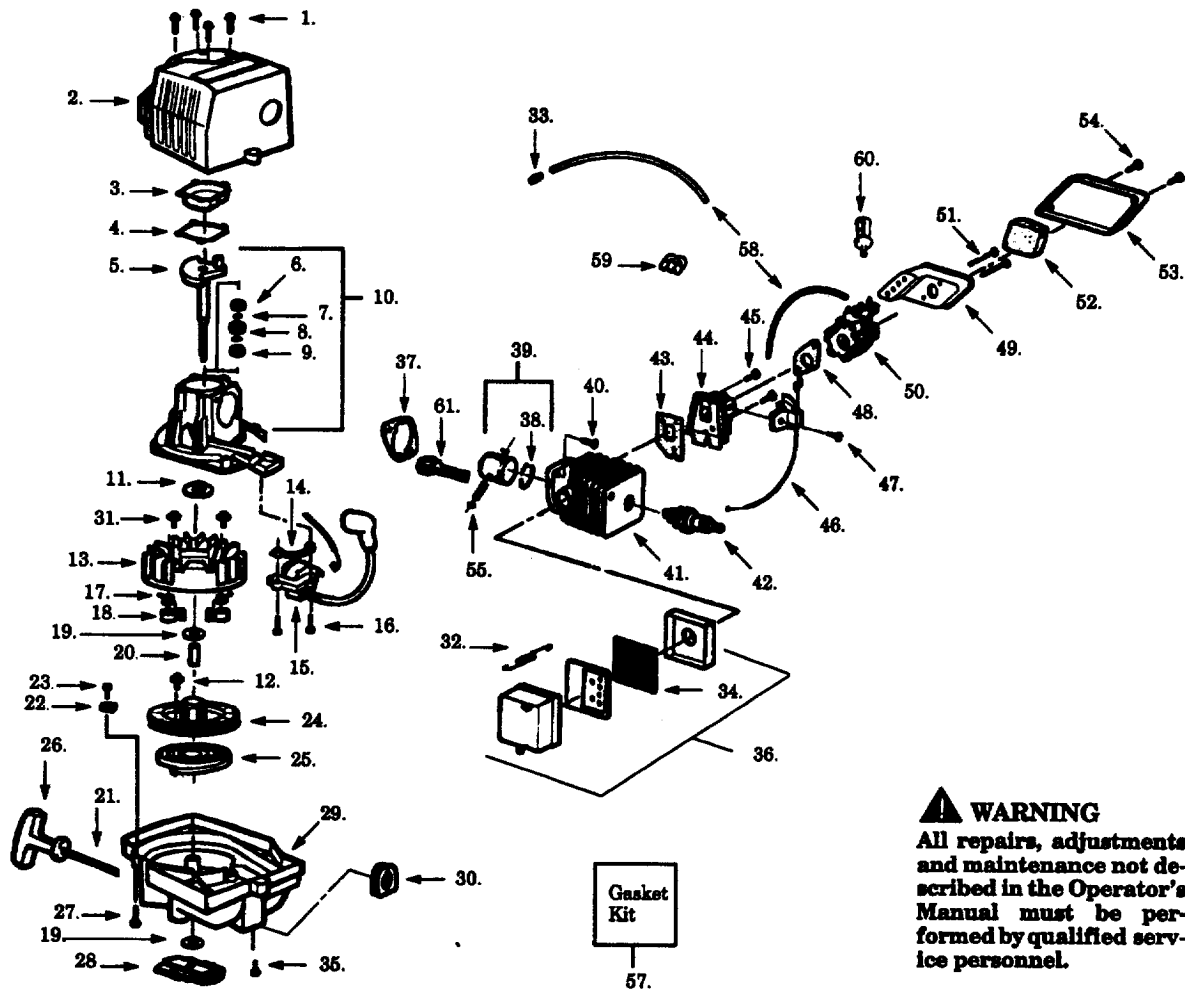
Ersatzteile

Pièces détachées

Reserve onderdelen

Repuestos

Reservdelar



⚠ WARNING
All repairs, adjustments and maintenance not described in the Operator's Manual must be performed by qualified service personnel.

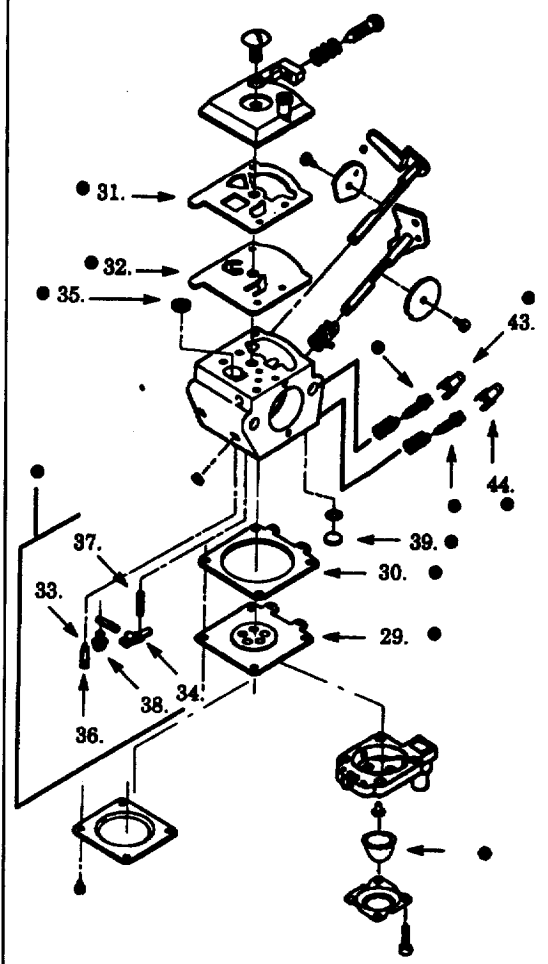
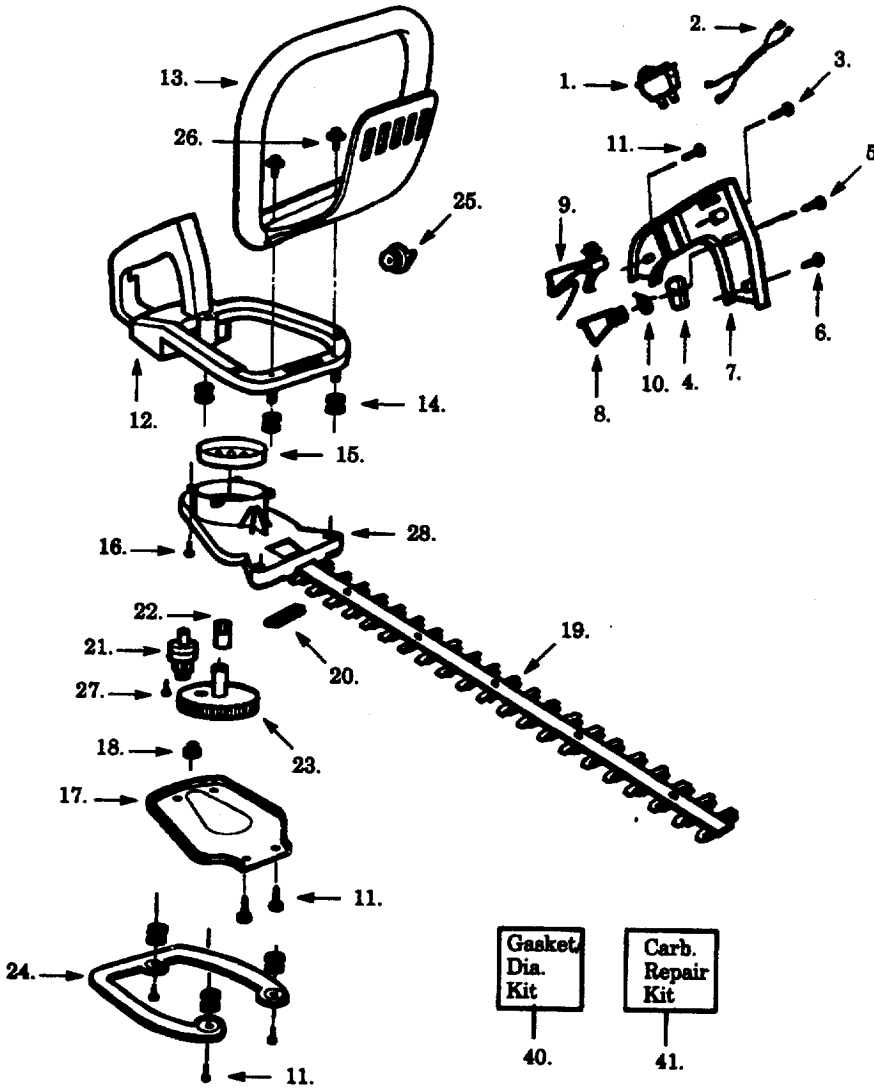
KEY PART NO. NO.	DESCRIPTION	KEY NO.	PART NO.	DESCRIPTION
1	530 01 58-10	35	530 01 59-34	Screw-Fan Hsg/Shrd.
2	530 03 80-13	36	530 06 96-59	Muffler Kit
3	530 02 99-29	37	530 01 92-23	Cylinder gasket
4	530 01 91-81	38	530 02 99-24	Piston Ring
5	530 01 43-07	39	-	Piston Kit (Incl. 38 & 55)
6	530 03 21-25		530 06 93-50	Type 1
7	530 01 59-45		530 06 96-13	Type 2
8	530 01 91-79	40	530 01 59-53	Screw-Cylinder
9	530 03 21-24	41	-	Cylinder
10	530 01 48-61		530 06 96-19	Type
11	530 01 59-41		530 06 96-14	Type 2
12	530 01 60-80	42	530 03 00-75	Spark plug (RCJ-8Y)
13	530 03 91-49	43	530 01 92-33	Gasket-Cylin./Carb.
14	530 03 61-45	44	530 03 80-17	Carb. Adaptor
15	530 03 91-63	45	530 01 60-14	Screw-Carb. Adap.
16	530 01 59-54	46	530 01 43-84	Throttle Cable Ass'y.
17	530 03 77-30	47	530 01 57-75	Screw-Throtl. Cable
18	530 02 99-39	48	530 01 91-94	Gasket-Carb. Adap.
19	530 01 58-28	49	530 03 61-92	Air Box
20	530 01 59-30	50	-	Carburetor
21	530 06 92-32		530 03 53-06	Type 1 WT221
22	530 01 59-63		530 06 96-82	Type 2 WT379
23	530 01 54-96	51	530 01 58-49	Screw-Air Box
24	530 06 93-53	52	530 02 99-34	Air Filter Foam
25	530 02 93-95	53	530 03 61-93	Air Filter Cover
26	530 02 75-69	54	530 01 56-35	Screw-A.F. Cover
27	530 01 58-86	55	530 01 51-62	Piston Pin Retainer
28	530 01 43-96	57	530 06 96-16	Gasket Kit
29	530 01 46-10			(Incl. 4, 37, 43 & 48)
30	530 01 91-82	58	530 06 95-99	Fuel Line Kit
31	530 01 58-82			(Incl. Fuel and Vent lines)
32	530 02 99-30	59	530 01 61-03	Retainer Clip
33	530 02 38-77	60	530 01 43-62	Fuel Pick-up Ass'y.
34	530 03 61-80	61	530 06 96-15	Connectinn Rod Kit

Type 1 – Carburetor Number

#530-035306 – WT-221

Type 2 – Carburetor Number

#530-069682 – WT-379



Type 1

Type 2

KEY NO.	PART NO.	DESCRIPTION	KEY NO.	PART NO.	DESCRIPTION
1	530 02 99-54	Ignition Switch	26	530 01 59-55	Screw-front Handle
2	530 03 64-43	Lead Wire Ass'y.	27	530 01 58-86	Screw-Gear
3	530 01 57-75	Screw-Handle Cov.	28	530 01 43-99	Gear Box Ass'y. (Incl. 21, 22 & 27)
4	530 02 99-58	Trigger Lever			
5	530 01 59-40	Screw-Handle Cov.			
6	530 01 57-70	Screw-Handle Cov.	29	504 13 08-08	Type 1 only Metering Diaphragm
7	530 03 83-05	Handle Cover	30	530 03 53-20	Metering Diaphragm Gasket
8	530 02 99-56	Throttle Trigger	31	504 13 09-06	Pump Gasket
9	530 03 61-22	Throttle Lockout	32	504 13 08-07	Pump Diaphragm
10	530 03 61-23	Trigger Spring	33	505 52 01-25	Metering Pin
11	530 01 59-34	Screw-Handle Cov.	34	505 52 01-27	Metering Lever
12	530 04 74-94	Rear Handle/Tank Ass'y.	35	530 03 51-78	Fuel Inlet Screen
13	530 09 49-92	Front Handle	36	503 11 70-01	Inlet Needle valve
14	530 02 99-46	Isolator Spring	37	530 03 51-39	Metering Lever Spring
15	530 04 81-13	Clutch Drum	38	505 31 67-17	Metering Lever Pin Screw
16	530 01 58-43	Screw	39	530 03 51-62	Welch Plug
17	530 02 99-16	Gear Box Plate	40	530 03 52-13	Gasket/Diaphragm kit (Incl. 29-32)
18	530 03 21-21	Bushing Blade	41	-	Carb. Repair Kit
19	530 03 63-71	Blade Ass'y.		530 03 53-12	Type 1 (Incl. 33-38 & 40)
20	530 02 99-48	Blade Seal		530 06 96-56	Type 2 (. Indicates Contents)
21	530 03 62-28	Pinion Ass'y.			
22	530 01 60-13	Drive Gear Bearings			
23	530 06 93-55	Drive Gear Kit	43	530 03 83-17	Type 2 only Limiter Cap-Low
24	530 03 60-46	Isolator Plate	44	530 03 83-18	Limiter Cap-High
25	530 03 69-65	Fuel Cap Ass'y.			