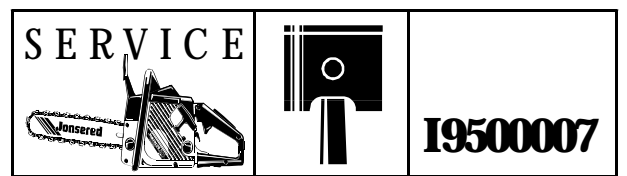


Jonsered



IPL, GT400 EL, 1995.05.14-01, 108 07 02-02

GT400 EL

Spare parts

Ersatzteile

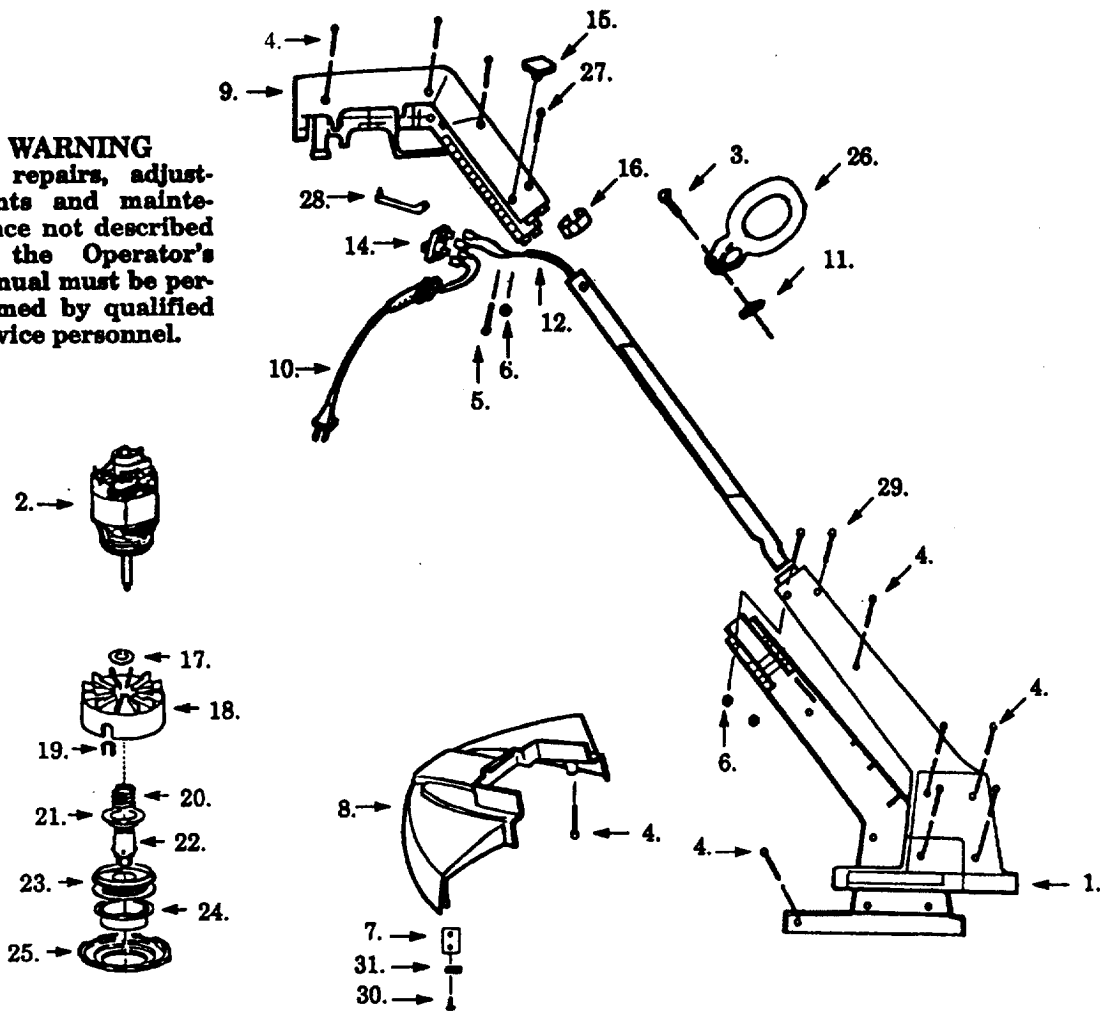
Pièces détachées

Reserve onderdelen

Repuestos

Reservdelar

⚠ WARNING
All repairs, adjustments and maintenance not described in the Operator's Manual must be performed by qualified service personnel.



KEY NO.	PART NO.	DESCRIPTION	KEY NO.	PART NO.	DESCRIPTION
1	530 40 06-11	Motor Hsg. Set	16	530 40 15-55	Snap Button
2	530 40 13-39	Motor Ass'y.	17	530 34 79-86	Washer
3	530 34 02-28	Bolt	18	530 40 00-08	Hub
4	530 35 20-36	Screw	19	530 34 05-94	Line Saver
5	530 34 80-50	Screw	20	530 34 00-06	Spring
6	534 79 05-00	Nut	21	530 34 07-32	Spring Cap
7	530 35 18-02	Line Limiter	22	530 35 03-66	Drive Gear Assty.
8	530 40 06-29	Shield	23	952 71 55-59	Spool w/Line
9	530 40 10-03	Upper Handle Set	24	530 40 00-09	Release Button
10	508 03 38-01	Cord/Plug Ass'y.	25	530 40 00-07	Cover
11	530 09 13-73	Wing Nut	26	530 32 22-96	Assist Handle
12	530 40 20-55	Wiring Harness	27	530 40 00-23	Screw
14	530 40 15-26	Switch	28	530 35 18-26	Trigger
15	530 34 78-98	Knob	29	530 40 00-24	Screw
			30	530 35 18-00	Screw
			31	530 35 18-01	Blade Cover