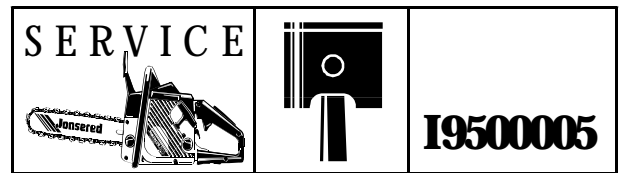


# Jonsered



IPL, HT21, 1995.05.12-01, 108 07 02-47

# HT21

**Spare parts**

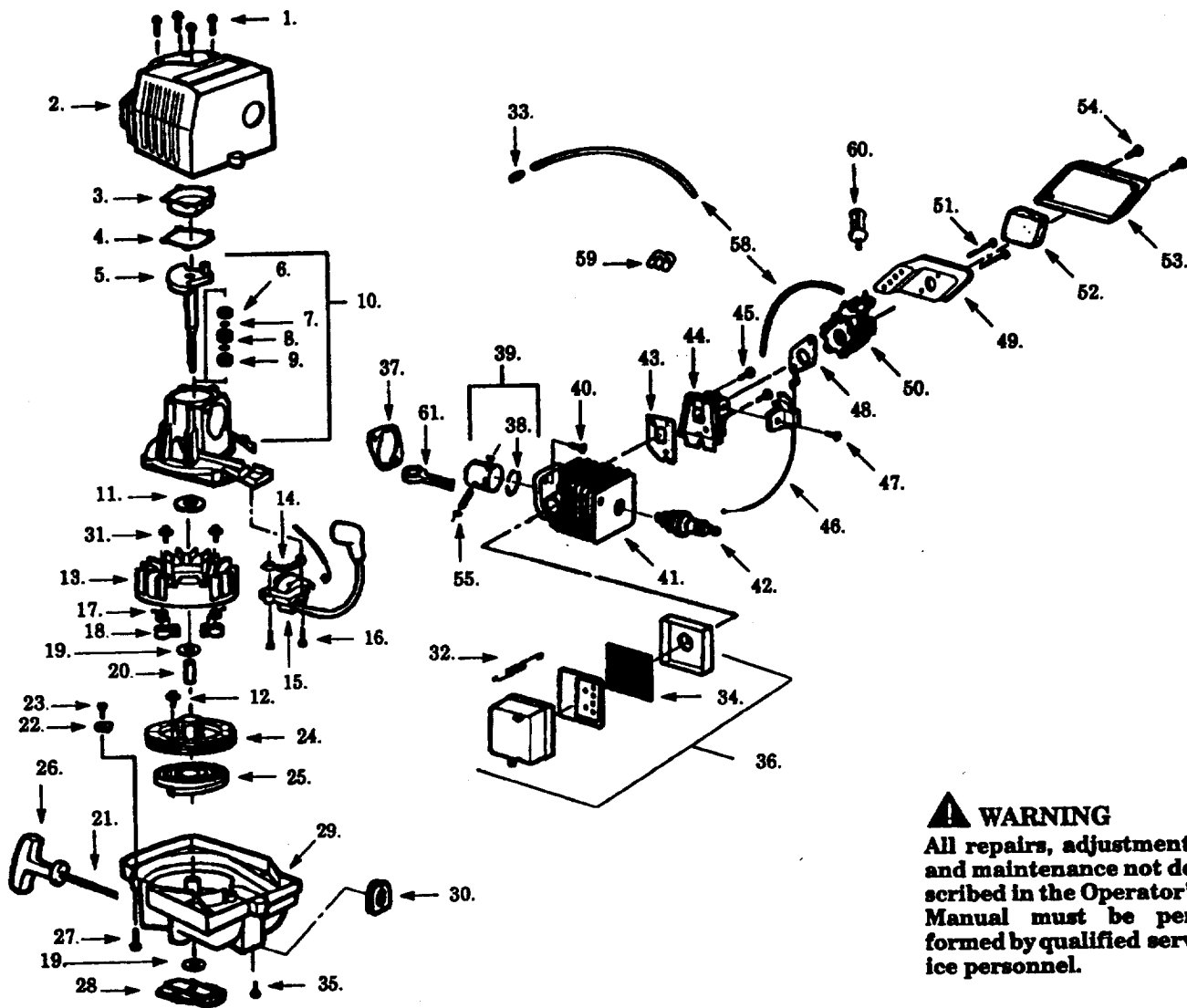
**Ersatzteile**

**Pièces détachées**

**Reserve onderdelen**

**Repuestos**

**Reservdelar**

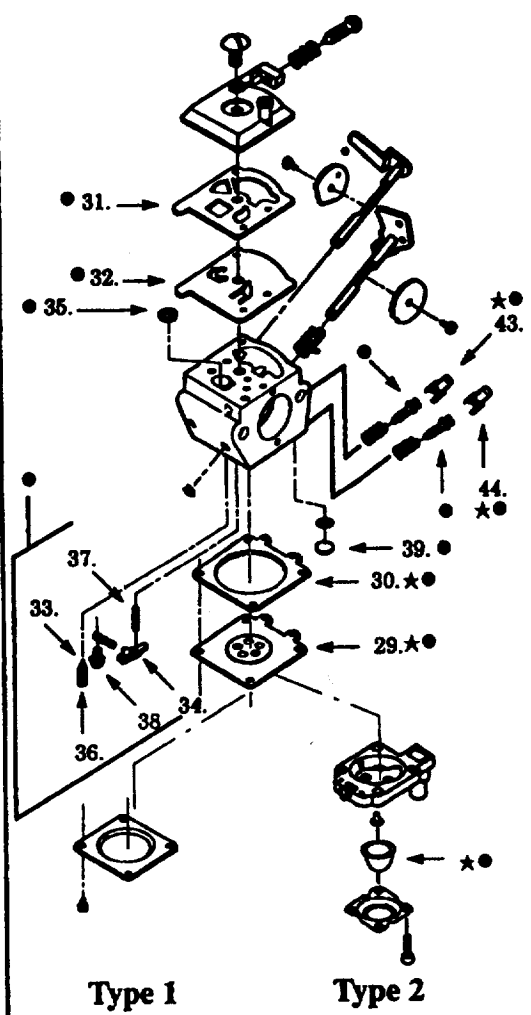
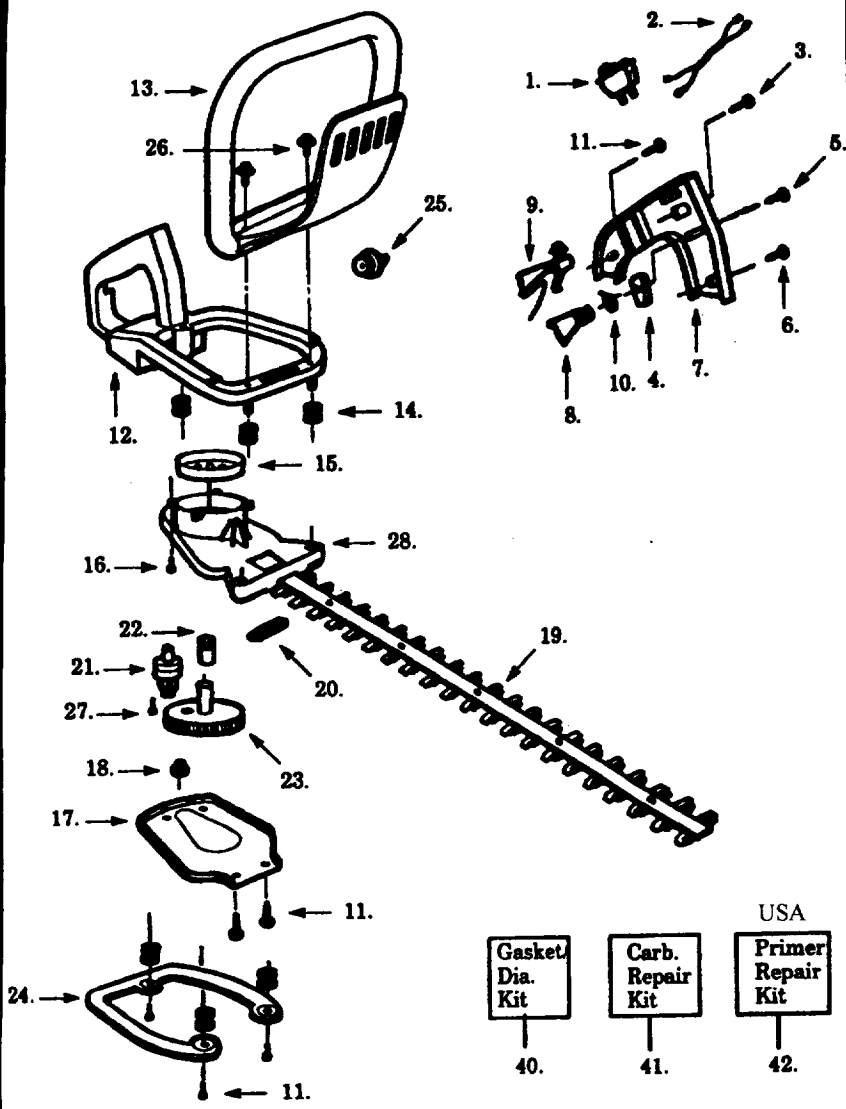


**▲ WARNING**  
**All repairs, adjustments and maintenance not described in the Operator's Manual must be performed by qualified service personnel.**

KEY PART NO.	PART NO.	DESCRIPTION	KEY PART NO.	PART NO.	DESCRIPTION
1	530 01 58-10	Screw-Shroud	31	530 01 58-82	Screw-Flywheel
2	530 03 80-13	Shroud	32	530 02 99-30	Muffler Spring
3	530 02 99-29	Crankcase Cover	33	530 02 38-77	Fuel Line Fitting
4	530 01 91-81	Gasket-Shrd./C'case	34	530 03 61-80	Muffler Screen
5	530 01 43-07	Crankshaft Ass'y.	35	530 01 59-34	Screw-Fan Hsg/Shrd.
6	530 03 21-25	Inner Bearing	36	530 06 93-52	Muffler Kit
7	530 01 59-45	Retainer-C'case	37	530 01 92-23	Cylinder Gasket
8	530 01 91-79	Crankcase Seal	38	530 02 99-24	Piston Ring
9	530 03 21-24	Outer Bearing	39	530 06 96-13	Piston Kit (Incl. 38 & 55)
10	530 01 48-61	Crankcase Ass'y. (Incl. 6-9)	40	530 01 59-53	Screw-Cylinder
11	530 01 59-41	Retaining Ring	41	530 06 46-14	Cylinder
12	530 01 60-80	Screw-Pulley	42	503 23 50-08	Spark Plug (CJ-8Y)
13	530 03 91-49	Flywheel Ass'y.	43	530 01 91-85	Gasket-Cylinder/Carburetor
14	530 03 61-45	Spacer-Ignition Module	44	530 03 80-17	Carburetor Adaptor
15	530 03 91-63	Ignition Module	45	530 01 60-14	Screw-Carburetor Adaptor
16	530 01 59-54	Screw-Ignition Module	46	530 01 43-84	Throttle Cable Ass'y.
17	530 03 77-30	Spring-Starter Dog	47	530 01 57-75	Screw-Throttle Cable
18	530 02 99-39	Starter Dog	48	530 01 91-94	Gasket-Carburetor Adaptor
19	530 01 58-28	Washer	49	530 03 61-92	Air Box
20	530 01 59-30	Flywheel Spacer	50	530 03 53-06	Carburetor
21	530 06 92-32	Rope Kit	51	530 01 58-49	Screw-Air Box
22	530 01 59-63	Retainer	52	530 02 99-34	Air Filter Foam
23	530 01 54-96	Screw-Retainer	53	530 03 61-93	Air Filter Cover
24	530 06 93-53	Starter Pulley	54	530 01 56-35	Screw-A.F. Cover
25	530 02 93-95	Starter Spring	55	530 01 51-62	Piston Pin Retainer
26	530 02 75-69	Starter Handle	58	530 06 95-99	Fuel Line Kit (Incl. Fuel and Vent Lines)
27	530 01 58-86	Screw-Fan Housing	59	530 01 61-03	Retainer Clip
28	530 01 43-96	Clutch Ass'y. Kit	60	530 01 43-62	Fuel Pick-up Ass'y.
29	530 01 46-10	Fan Housing	61	530 06 96-15	Connecting Rod Kit
30	530 01 91-82	Grommet			

Type 1 - Carburetor Number  
#530-035306-WT-221

Type 2 - Carburetor Number  
#530-069682-WT-379 only for USA



- 40. Gasket/Dia. Kit
- 41. Carb. Repair Kit
- 42. USA Primer Repair Kit

**KEY PART NO. NO. DESCRIPTION**

1	530 02 99-54	Ignition Switch
2	530 03 64-43	Lead Wire Ass'y.
3	530 01 57-75	Screw-Handle Cover
4	530 02 99-58	Trigger Lever
5	530 01 59-40	Screw-Handle Cover
6	530 01 57-70	Screw-Handle Cover
7	<b>530 03 83-05</b>	Handle Cover
8	530 02 99-56	Throttle Trigger
9	530 03 61-22	Throttle Lockout
10	530 03 61-23	Trigger Spring
11	530 01 59-34	Screw-Handle Cover
12	<b>530 04 71-96</b>	Rear Handle/Tank Ass'y.
13	530 09 49-92	Front Handle
14	530 02 99-46	Isolator Spring
15	530 04 81-13	Clutch Drum
16	<b>530 01 58-14</b>	Screw
17	530 02 99-16	Gear Box Plate
18	530 03 21-21	Bushing Blade
19	530 03 63-71	Blade Assty.
20	530 02 99-48	BladeSeal
21	530 03 62-28	Pinion Ass'y.
22	530 01 60-13	Drive Gear Bearings
23	530 06 93-55	Drive Gear Kit
24	530 03 60-46	Isolator Plate
25	530 01 48-71	Fuel Cap Ass'y.
26	530 01 59-55	Screw-Front Handle
27	530 01 58-86	Screw-Gear
28	530 01 43-99	Gear Box Ass'y. (Incl. 21, 22 & 27)

**KEY PART NO. NO. DESCRIPTION**

<b>Type 1 only</b>	
29	530 03 50-14 Metering Diaphragm
30	530 03 53-20 Metering Diaphragm Gasket
31	530 03 50-16 Pump Gasket
32	530 03 50-17 Pump Diaphragm
33	530 03 52-50 Metering Pin
34	530 03 50-31 Metering Lever
35	530 03 51-78 Fuel Inlet Screen
36	530 03 52-23 Inlet Needle Valve
37	530 03 51-39 Metering Lever Spring
38	530 03 52-36 Metering Lever Pin Screw
39	<b>530 03 53-19</b> Welch Plug
40	<b>530 03 52-13</b> Gasket/Diaphragm Kit (Incl. 29-32)
41	530 03 53-12 Carb. Repair Kit (Incl. 33-38 & 40)
41	530 06 96-56 Type 2 (• Indicates Contents)
<b>Type 2 Only for USA</b>	
42	530 06 97-11 Primer Repair Kit (* Indicates Contents)
43	530 03 83-17 Limiter Cap-Low
44	530 03 83-18 Limiter Cap-High