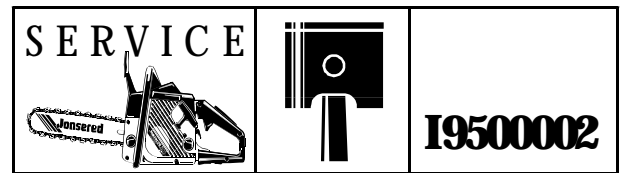


**Jonsered**



IPL, GT22 L, GT24 L, 1995.05.11-01, 108 07 02-88

# GT22 L, GT24 L

**Spare parts**

**Ersatzteile**

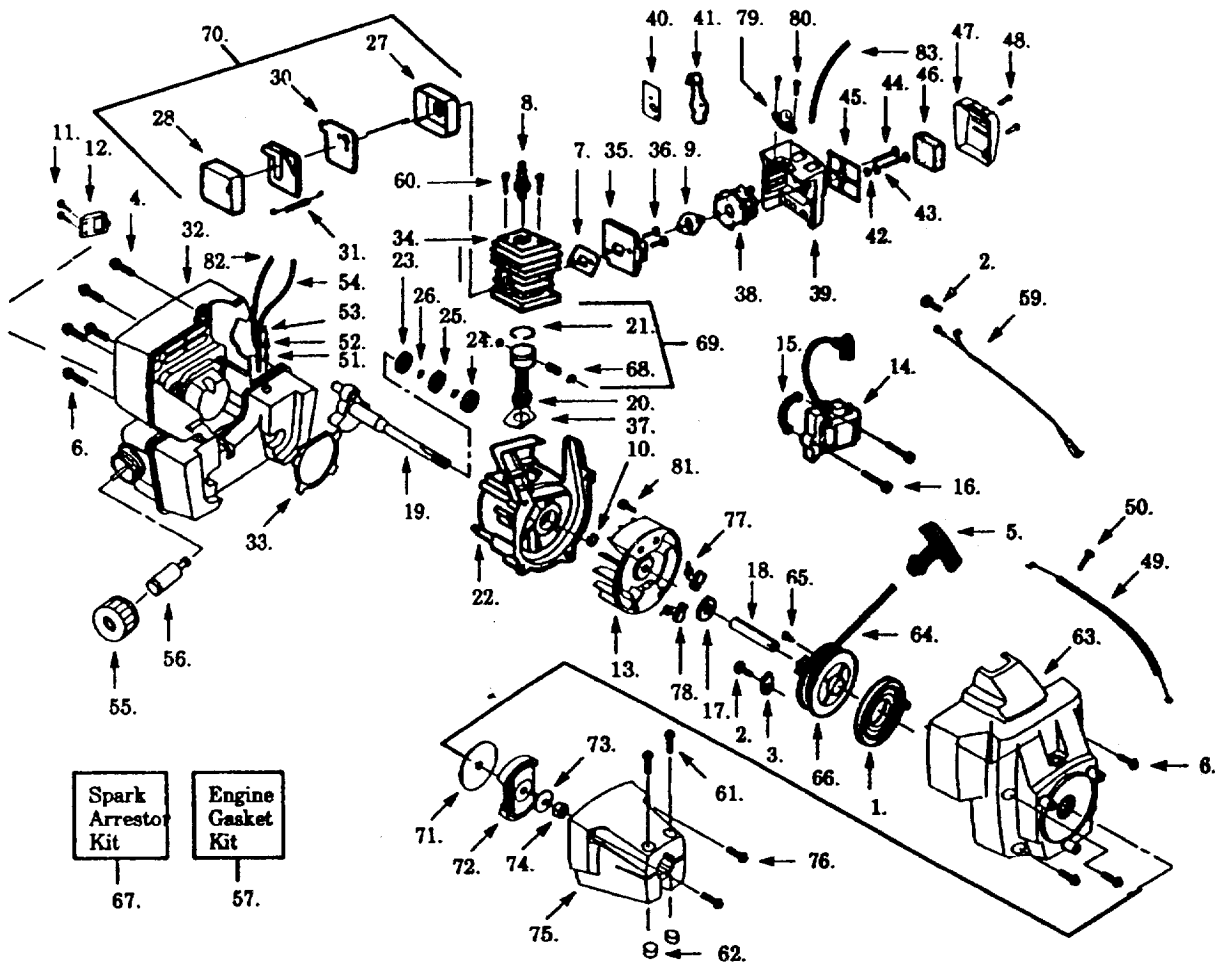
**Pièces détachées**

**Reserve onderdelen**

**Repuestos**

**Reservdelar**

# Model GT22L GT24L

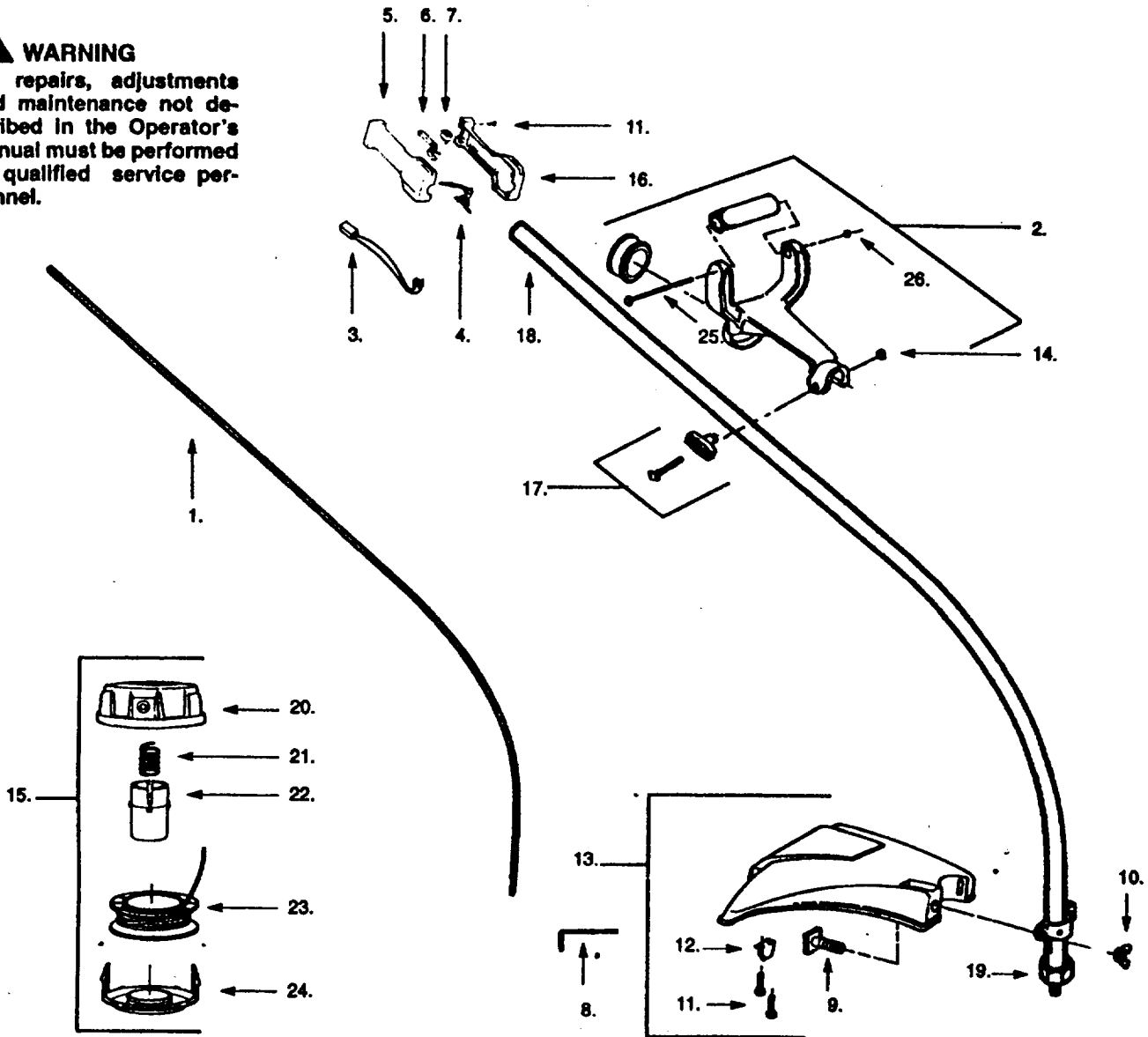


Ref.	Part No.	Description	Ref.	Part No.	Description	Ref.	Part No.	Description
1.	530 02 93-95	Starter Spring	30.	530 03 65-79	Muffer Baffle-First	57.	<b>530 06 96-25</b>	Engine Gasket Kit
2.	530 01 57-75	Screw	31.	530 02 99-30	Muffer Spring	59.	<b>530 04 72-78</b>	Lead Wire Ass'y.
3.	530 02 75-23	Retainer	32.	530 04 70-90	Shroud & Tank Ass'y.	60.	530 01 59-53	Screw
4.	530 01 59-34	Screw	33.	530 01 91-81	Gasket-C'case	61.	<b>530 01 60-72</b>	Screw
5.	530 02 75-69	Starter Handle	34.	530 06 96-18	Cylinder	62.	530 01 57-68	Locknut
6.	530 01 58-86	Screw	35.	530 03 84-76	Carb. Adaptor	63.	<b>530 04 74-93</b>	Fan Housing
7.	530 01 91-85	Gasket-Cyl./Carb	36.	530 01 60-14	Screw -	64.	530 06 92-32	Rope Kit
8.	503 23 50-08	Spark Plug	37.	<b>530 01 92-23</b>	Gasket-Cylinder	65.	530 01 60-80	Screw
9.	530 01 91-83	Gasket-Carb.	38.	530 06 96-83	Carburetor WT-380 (Incl. Limiter Caps)	66.	530 06 94-00	Starter Pulley
10.	<b>530 01 59-45</b>	Retain. Ring C'case	39.	530-037966	Air Box	67.	530 06 93-80	Spark Arrestor Kit
11.	<b>530 01 56-75</b>	Screw-Muffer Guard	40.	530 03 73-26	Choke Plate	68.	530 01 51-62	Piston Pin Retainer
12.	<b>530 03 70-45</b>	Muffer Guard	41.	<b>530 03 81-02</b>	Choke Shutter	69.	<b>530 06 96-70</b>	Piston Kit (Incl. 21,68 & Pin)
13.	530 03 91-48	Flywheel Ass'y.	42.	530 01 52-54	Wave Washer	70.	<b>530 06 96-61</b>	<b>Muffer Kit</b>
14.	530 03 91-63	Ignition Module	43.	530 01 58-52	Choke Spacer	71.	530 01 56-11	Washer
15.	530 03 61-45	Spacer	44.	530 01 58-49	Screw	72.	530 06 94-91	Clutch Ass'y. Kit
16.	530 01 59-54	Screw	45.	530 03 74-13	Filter Plate	73.	530 01 51-27	Washer
17.	530 01 58-28	Washer	46.	530 03 73-31	Air Filter Foam	74.	530 62 66-05	Nut
18.	530 03 74-14	Spacer	47.	530 03 72-92	Air Filter Cover	75.	530 04 70-13	Clutch Hsg. Ass'y.
19.	<b>530 03 73-19</b>	Crankshaft Ass'y.	48.	530 01 59-66	Screw	76.	530 01 58-86	Screw
20.	<b>530 06 96-15</b>	Connecting Rod Ass'y.	49.	530 03 74-15	Throttle Cable Assty.	77.	530 02 99-39	Starter Dog
21.	530 03 64-04	Piston Ring	50.	531 01 58-43	Screw	78.	<b>530 03 77-30</b>	Starter Dog Spring
22.	530 01 48-61	Crankcase Ass'y.	51.	530 02 61-19	Check Valve	79.	530 03 79-72	Primer Bulb Ass'y.
23.	530 03 21-25	Inner Bearing	52.	530 02 97-17	Element	80.	530 01 57-80	Screw-Primer Ass'y.
24.	530 03 21-24	Outer Bearing	53.	530 02 96-96	Retainer	81.	<b>530 01 58-82</b>	<b>Screw-Flywheel</b>
25.	530 01 91-79	C'case Seal	54.	530 06 92-47	Fuel Line-Tnk./Carb.	82.	530 06 95-71	Fuel Line-Prim.ITnk.
26.	530 01 59-41	Retain. Ring-C'shaft	55.	<b>530 01 43-47</b>	Fuel Cap Ass'y.	83.	530 06 92-16	Fuel Line Carb./Primer
27.	<b>530 03 65-78</b>	Muffer Body	56.	530 01 43-62	Fuel Pickup Assty.			
28.	<b>530 03 65-77</b>	Muffer Cover						

# Model GT22L

B02

**WARNING**  
 All repairs, adjustments and maintenance not described in the Operator's Manual must be performed by qualified service personnel.

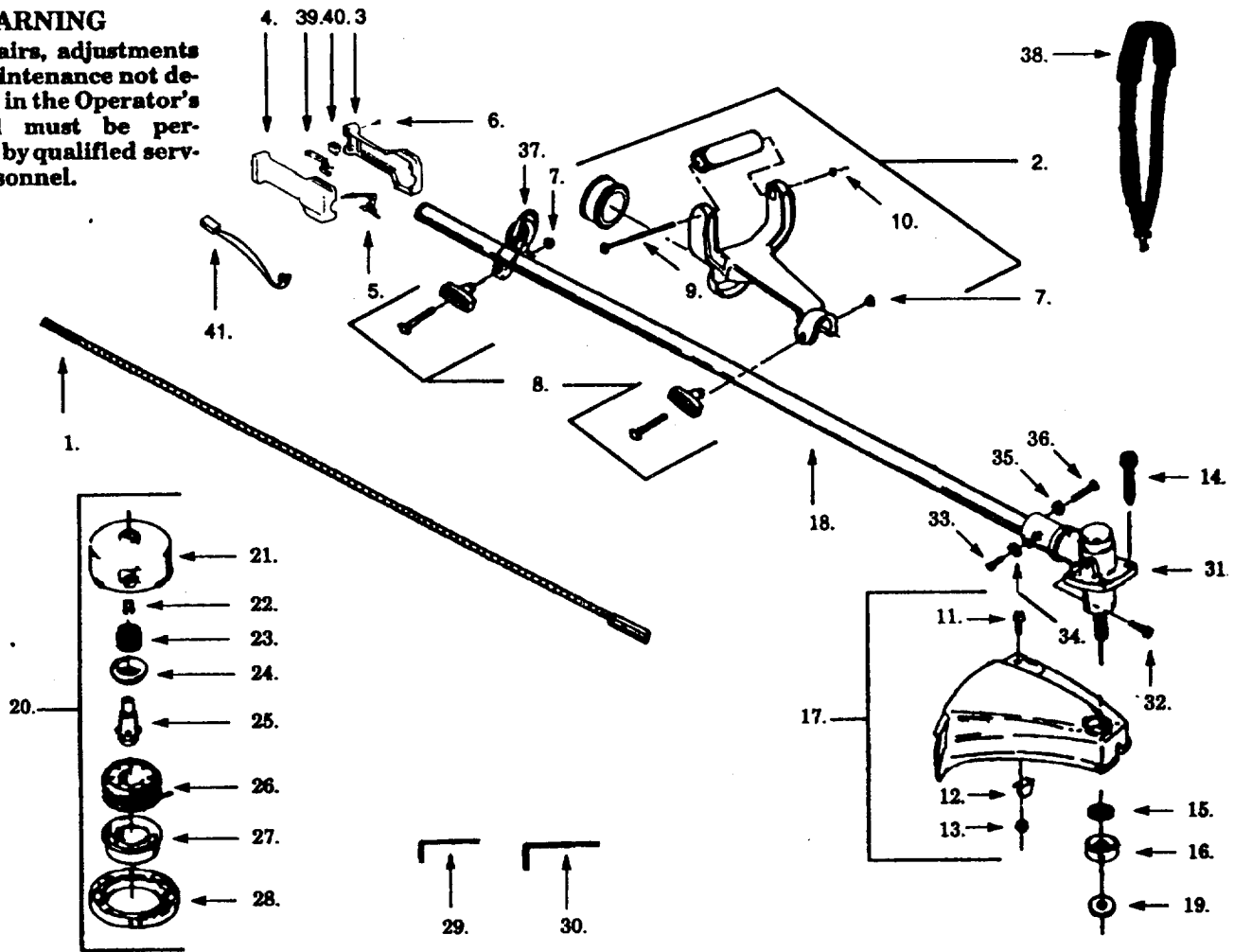


Ref.	Part No.	Description	Ref.	Part No.	Description
1.	530 09 52-98	Drive Shaft	14.	530 01 51-97	Nut-Handle
2.	530 01 09-58	Handle	15.	952 71 55-40	Cutting Head Ass'y. (Incl. 20-24)
3.	530 04 73-07	Lead Wire Ass'y.	16.	530 40 20-26	Throttle Housing (Left)
4.	530 40 20-27	Throttle Lever	17.	530 06 92-52	T-Handle Kit
5.	530 40 20-25	Throttle Housing (Right)	18.	530 09 53-06	Drive Shaft Hsg.
6.	530 40 20-28	Throttle Lock	19.	530 09 45-43	Dust Cup
7.	530 03 76-92	Switch	20.	530 09 48-78	Hub Ass'y.
8.	502 71 36-01	Hex Wrench	21.	530 09 48-30	Spring
9.	530 01 58-20	Bolt-Shield	22.	530 09 48-27	Release Button
10.	530 01 61-18	Nut-Shield	23.	952 71 55-44	Spool w/Line
11.	530 01 58-86	Screw-Line Limiter/ Throttle Hsg.	24.	530 09 48-28	Cover
12.	530 09 54-29	Line Limiter	25.	530 01 57-84	Screw-Handle
13.	530 06 96-66	Shield Kit Ass'y. (Incl. 11 & 12)	26.	530 01 57-85	Nut-Handle

# Model GT24L

## ⚠ WARNING

All repairs, adjustments and maintenance not described in the Operator's Manual must be performed by qualified service personnel.



Ref.	Part No.	Description	Ref.	Part No.	Description
1.	530 09 45-66	Drive Shaft	21.	530 09 38-96	Hub Ass'y.
2.	530 01 09-58	Antivibe Handle Ass'y.	22.	530 09 38-98	Line Saver
3.	<b>530 40 20-26</b>	Throttle Hsg. (Left)	23.	530 34 00-07	Spring
4.	<b>530 40 20-25</b>	Throttle Hsg. (Right)	24.	530 09 20-68	Spring Cap
5.	<b>530 40 20-27</b>	Throttle Lever	25.	530 09 38-97	Drive Gear
6.	<b>530 01 58-86</b>	Screw	26.	952 71 55-48	Spool w/Line
7.	530 01 51-97	Nut	27.	530 40 11-83	Release Button
8.	530 06 92-52	"T" Handle	28.	530 09 21-33	Cover
9.	530 01 57-84	Screw	29.	502 71 36-01	Hex Wrench (5/32)
10.	530 01 57-85	Locknut	30.	502 50 57-01	Hex Wrench (3/16)
11.	530 01 53-37	Screw	31.	530 09 45-68	Gear Box Ass'y.
12.	530 09 45-70	Line Limiter	32.	530 09 46-16	Screw
13.	<b>534 23 59-01</b>	Locknut	33.	530 09 46-12	Screw
14.	<b>530 01 61-07</b>	Screw	34.	530 01 53-28	Lockwasher
15.	530 09 46-40	Seal	35.	530 00 16-42	Lockwasher
16.	530 09 46-39	Dust Cup	36.	530 00 17-11	Screw
17.	530 06 92-56	Shield Kit Ass'y.	37.	530 09 46-86	Clamp Harness Assty.
18.	<b>530 09 51-65</b>	Drive Shaft Hsg.	38.	530 09 20-85	Shoulder Strap
19.	530 09 45-71	Grass Washer	39.	<b>530 40 20-28</b>	Throttle Lock
20.	952 71 55-46	Cutting Head Ass'y. (Incl. 21-28)	40.	<b>530 03 76-92</b>	Switch
			41.	<b>530 04 73-07</b>	Lead Wire Assty.

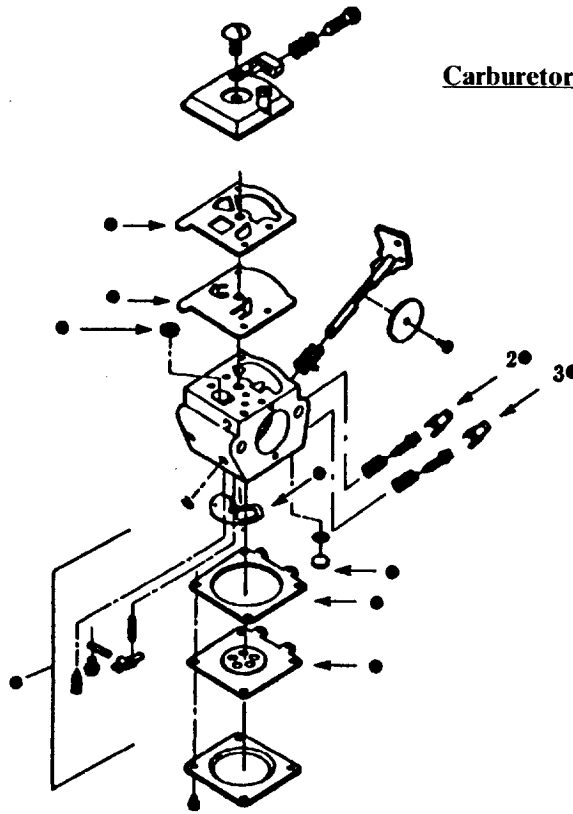
# Model GT22L GT24L

B03

## Carburetor Assembly – WT-380 #530-069683

Carb.  
Repair  
Kit

1.



Ref.	Part No.	Description
1.	530 06 96-70	Carburetor Repair Kit (• Indicates Contents)
2.	530 03 83-17	Limiter Cap-Low
3.	530 03 83-18	Limiter Cap-High