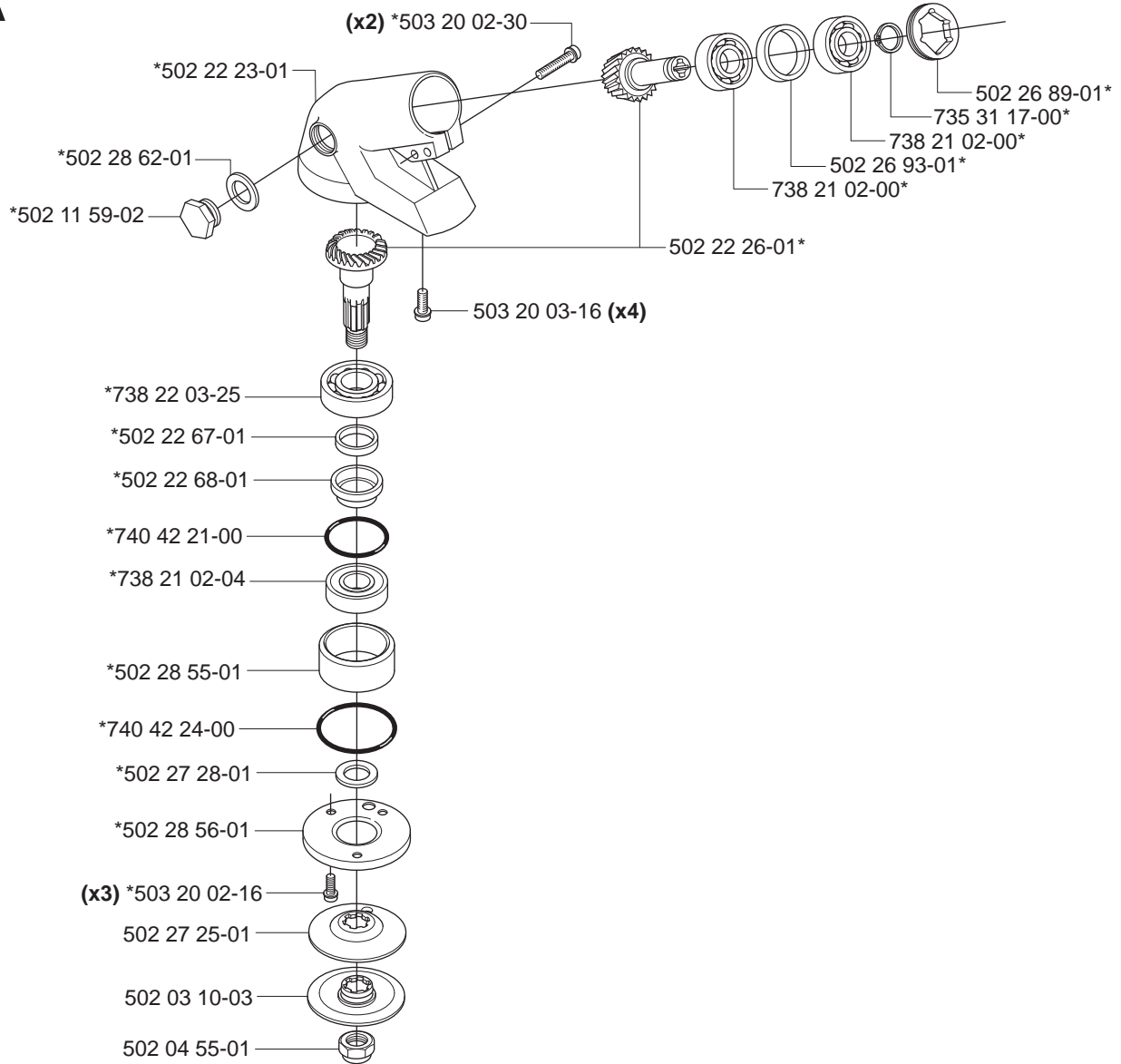
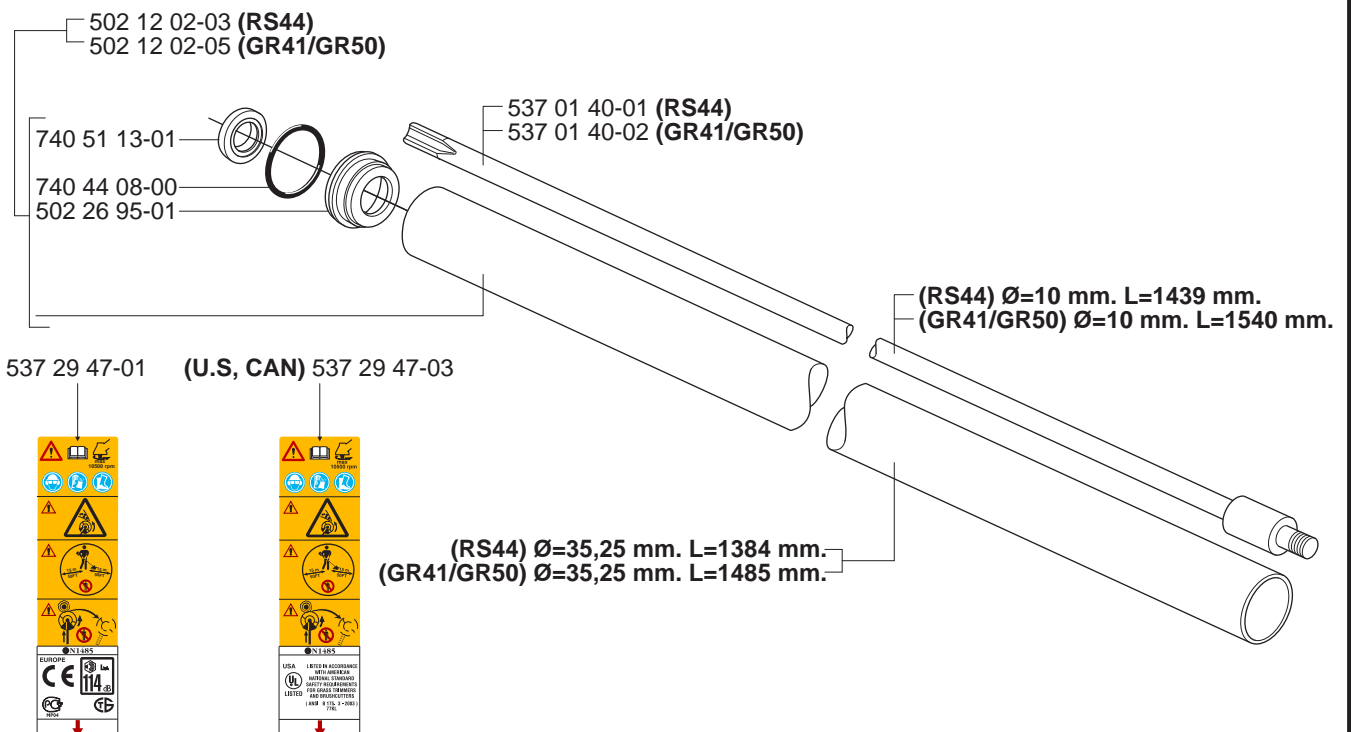


**RS 44**  
**GR 41**  
**GR 50**  
**RS 44 EPA**  
**GR 41 EPA**  
**GR 50 EPA**

**Spare parts**  
**Ersatzteile**  
**Pièces détachées**  
**Reserve onderdelen**  
**Repuestos**  
**Reservdelar**

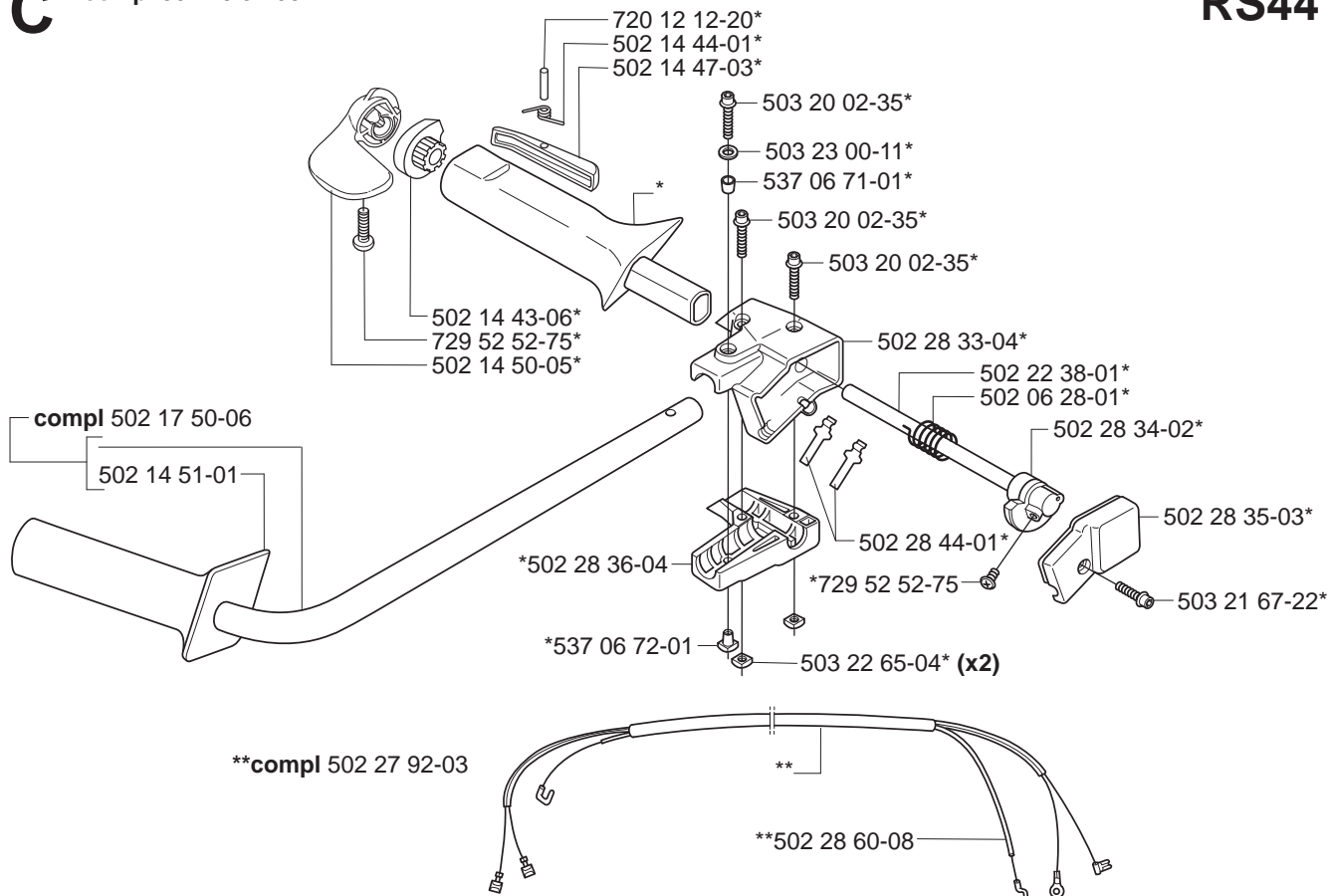
**A**

\*compl 502 28 57-02

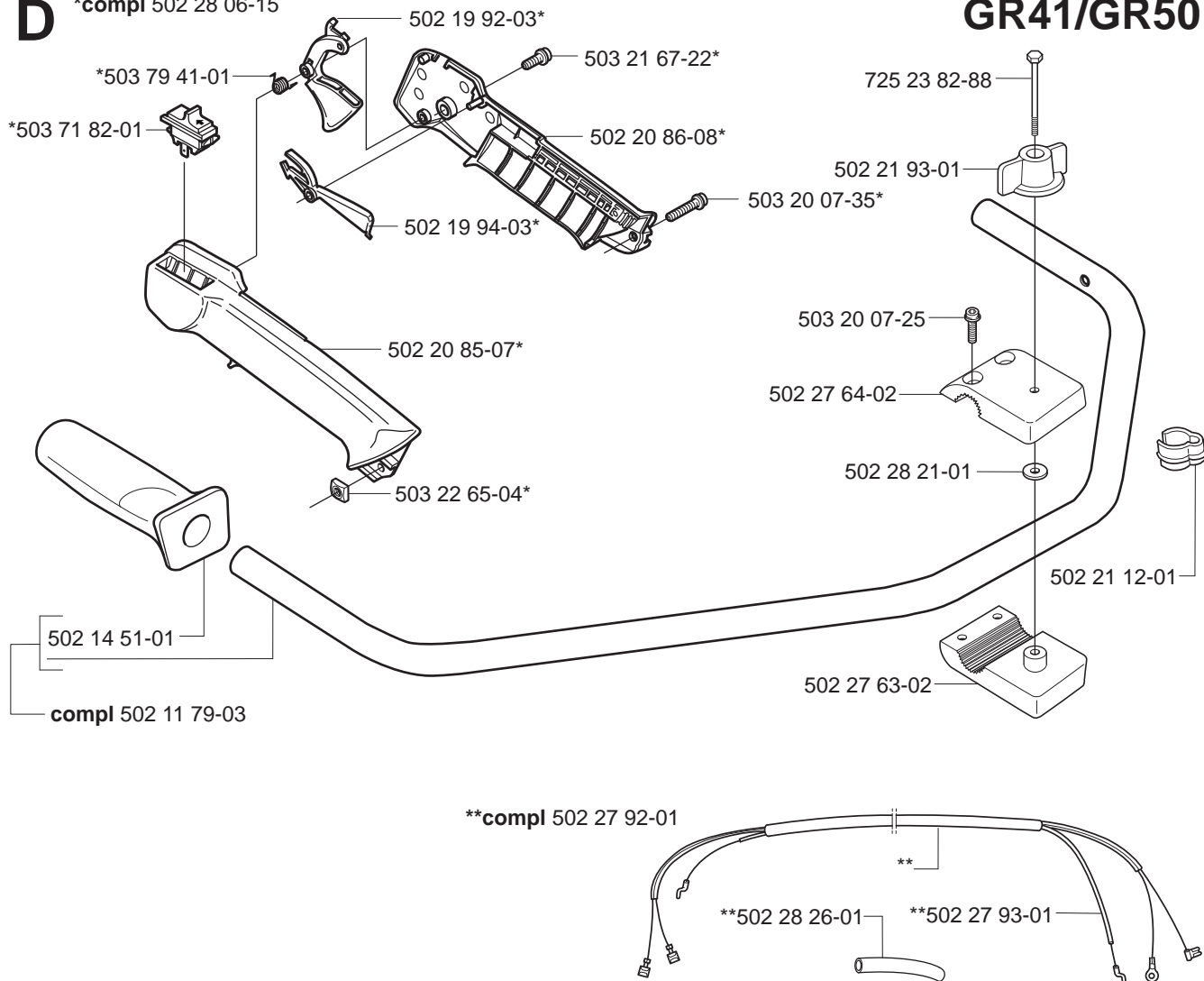
**B**

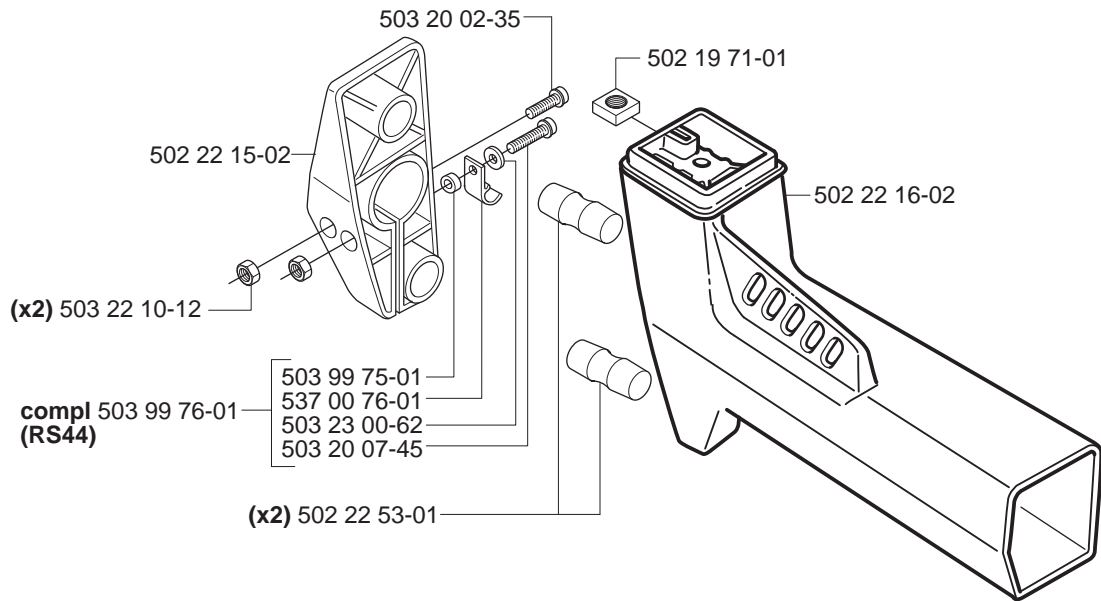
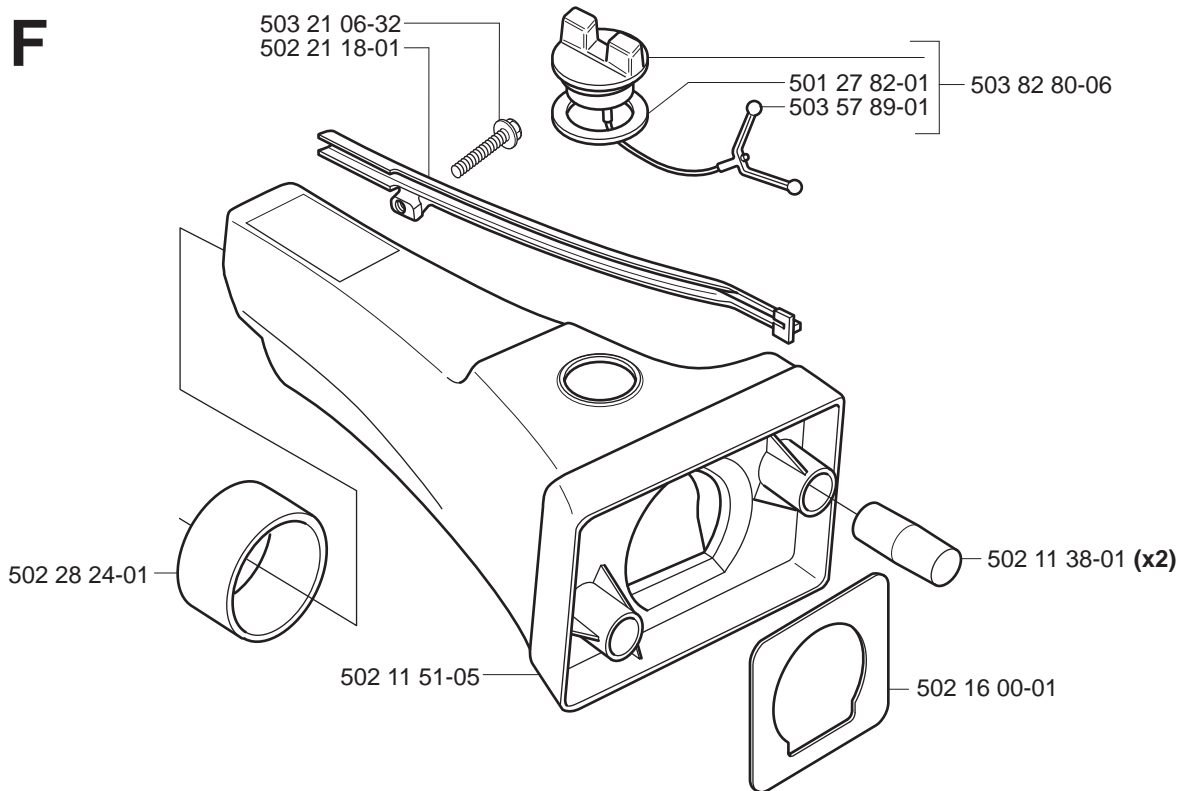
**C**

\*compl 502 28 37-06

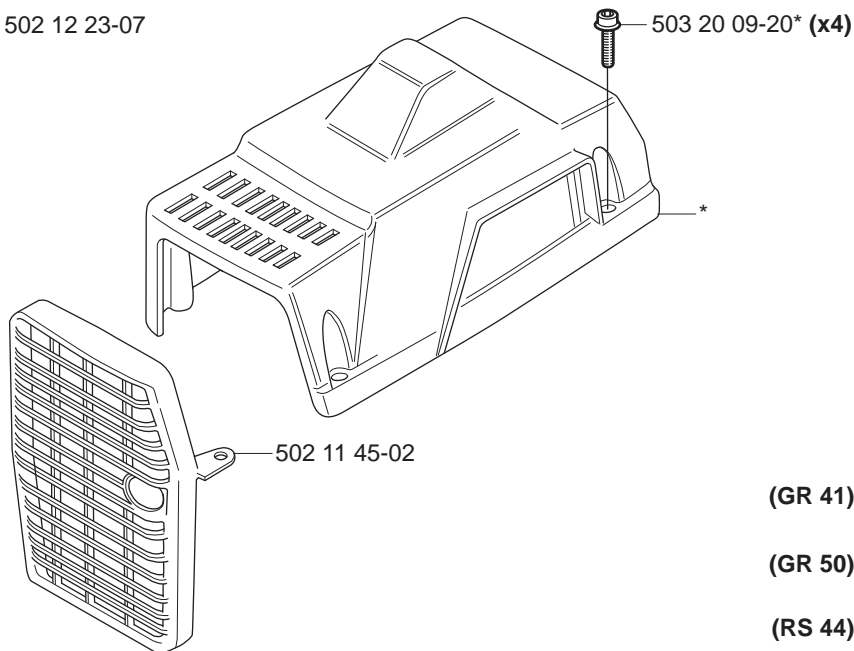
**RS44****D**

\*compl 502 28 06-15

**GR41/GR50**

**E****F****G**

\*compl 502 12 23-07



(GR 41) 503 97 52-04 — GR 41

(GR 50) 503 97 52-03 — GR 50

(RS 44) 503 97 52-02 — RS 44

**H**

\*compl 502 11 52-01

\*738 22 02-19

503 20 07-20 (x4)

(x2) \*503 20 07-25

502 11 77-01

compl 503 17 31-02

504 18 44-01  
504 21 00-16**J**

\*compl 502 11 22-03

\*\*compl 502 12 56-02 (EPA)

502 20 21-01

503 21 82-04 (x3)

\*\*502 11 25-02

503 20 25-12

502 11 23-01\*\*

503 22 23-02 (x3)

503 22 23-02 (x3)

502 11 24-02\*\*

**K**

\*compl 502 20 19-01

503 21 77-16\*

537 19 65-01\*

506 01 64-01\*

505 30 51-25\*

\*501 76 31-01

501 63 06-01\*

502 20 15-01\*

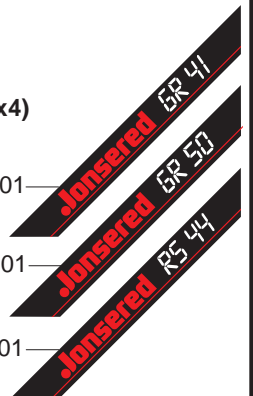
502 20 16-01

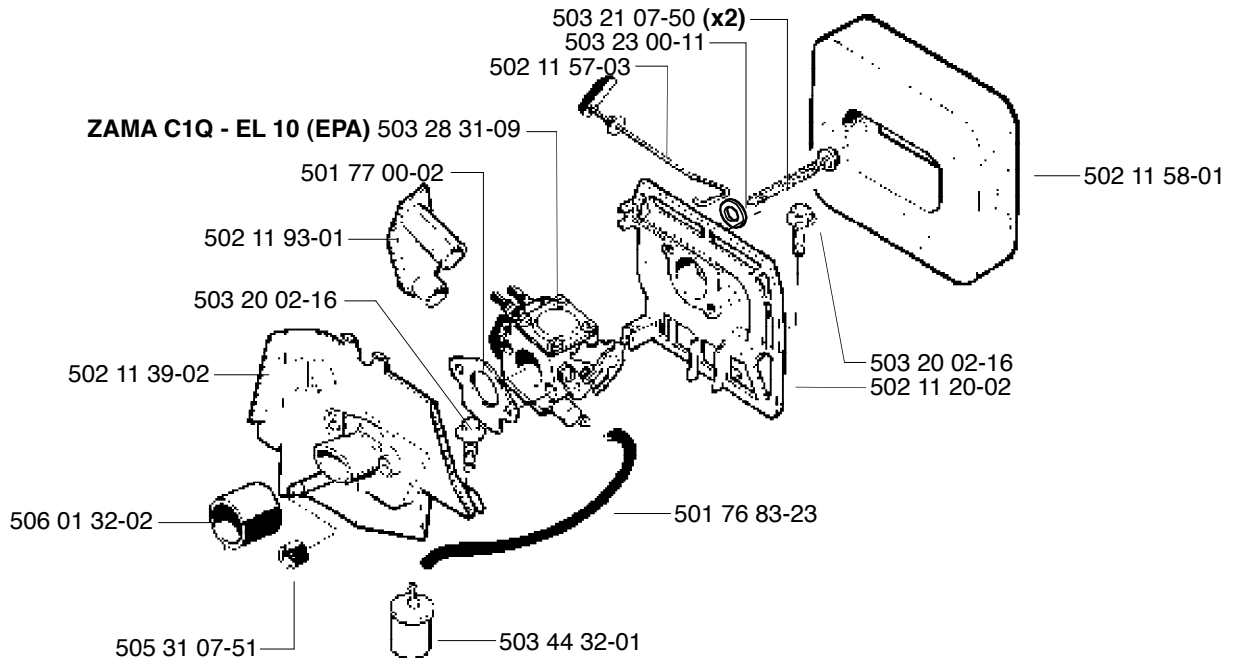
503 20 02-16 (x4)

(GR41) 502 20 51-01

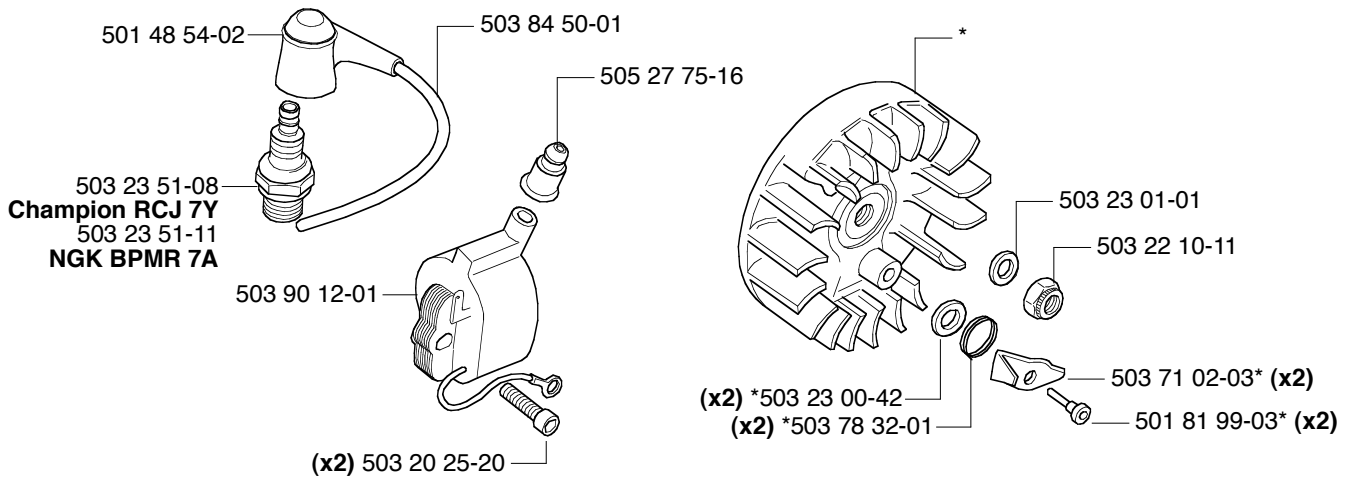
(GR50) 502 28 16-01

(RS44) 502 20 53-01



**L****M**

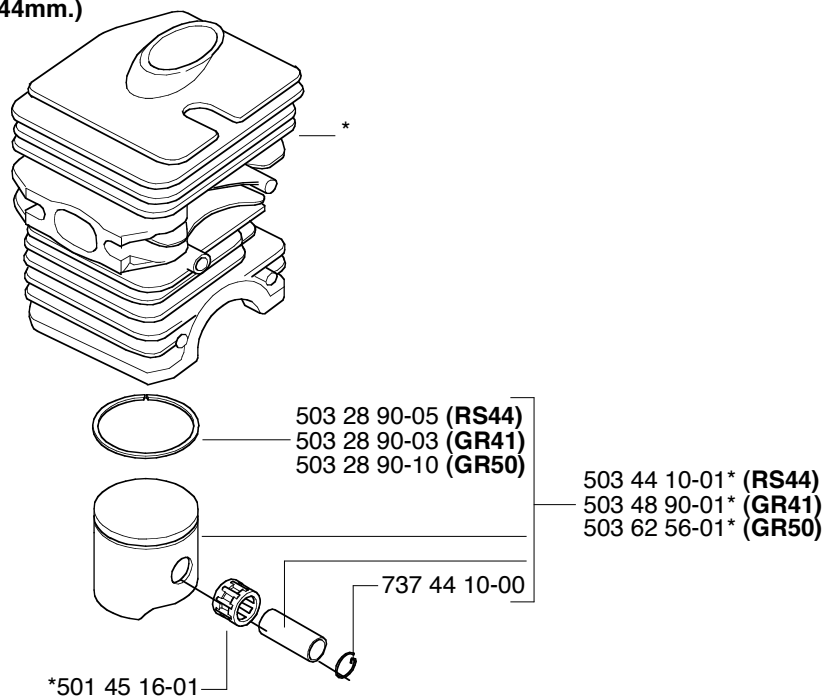
\*compl 503 79 00-02

**N**

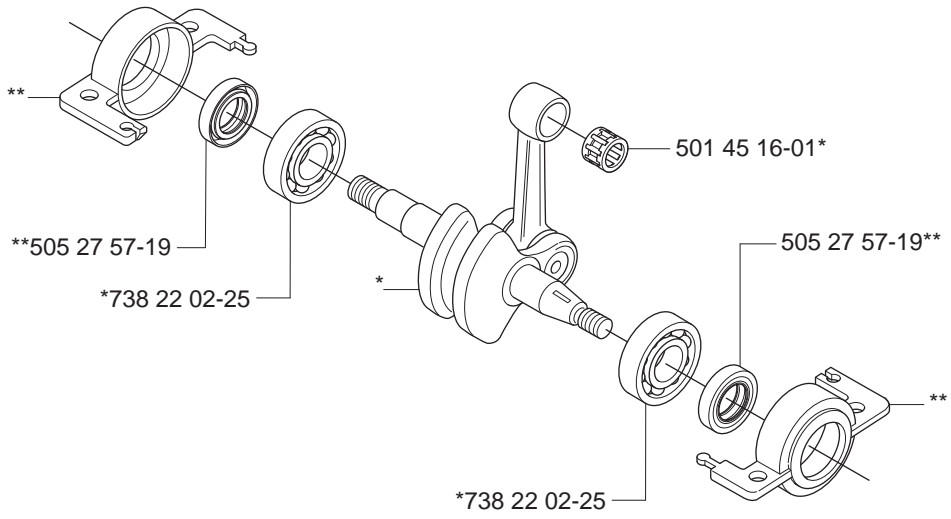
\*compl 503 44 08-02 (RS44 Ø 42mm.)

\*compl 506 01 06-07 (GR41 Ø 40mm.)

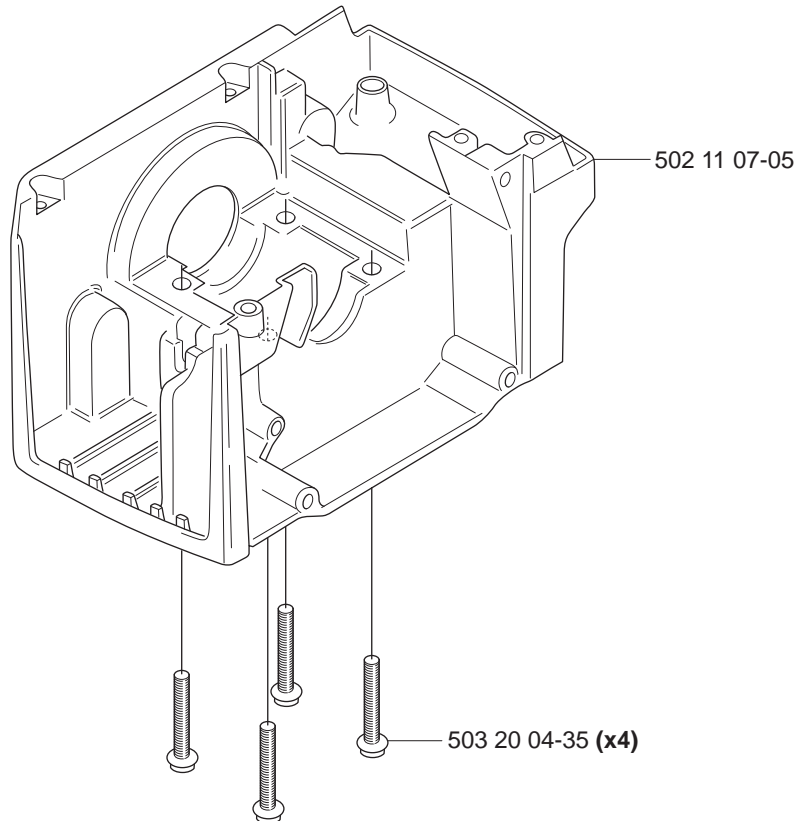
\*compl 503 62 55-02 (GR50 Ø 44mm.)



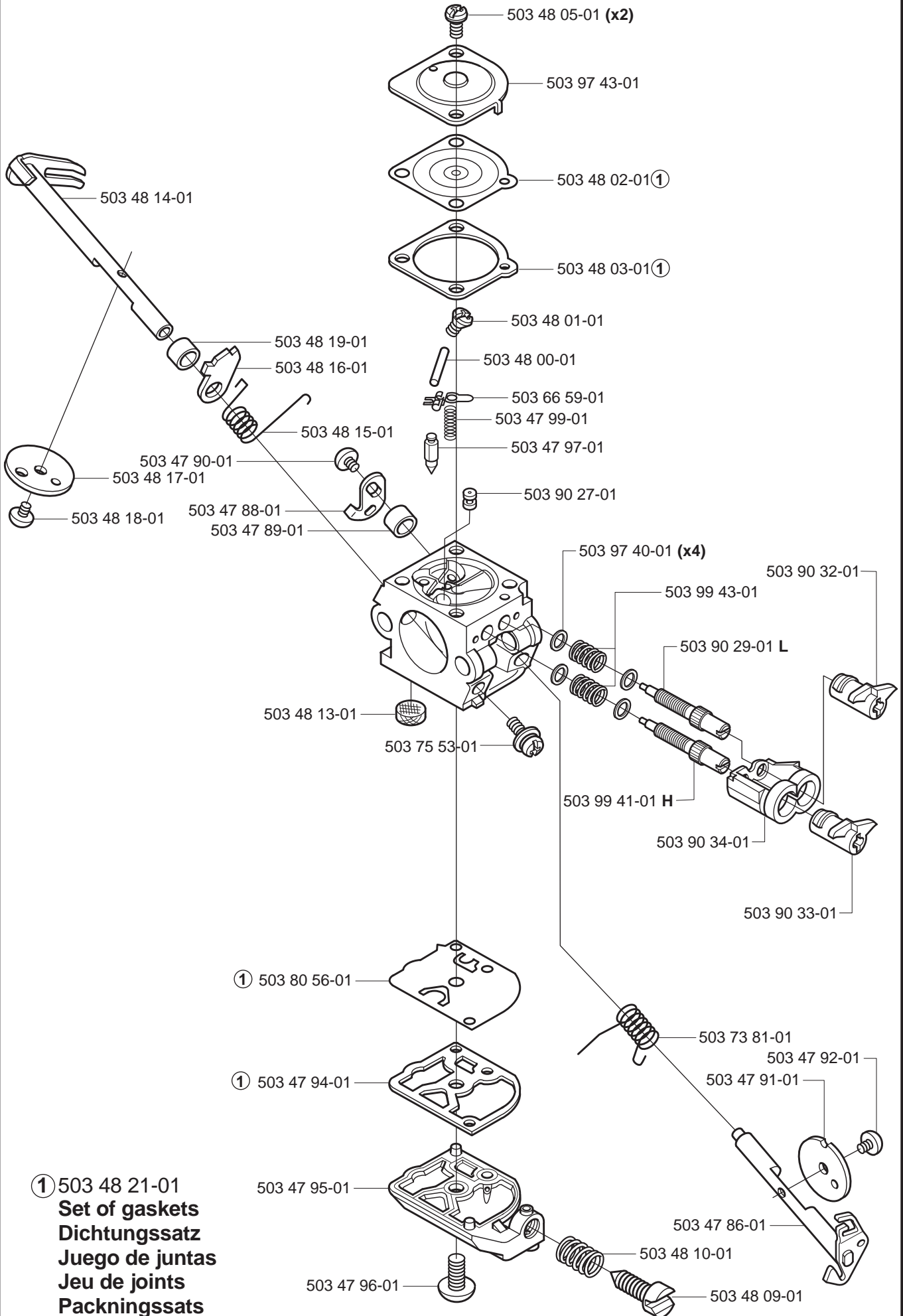
**P** \*compl 503 57 38-06  
\*\*compl 502 23 02-01



**Q**



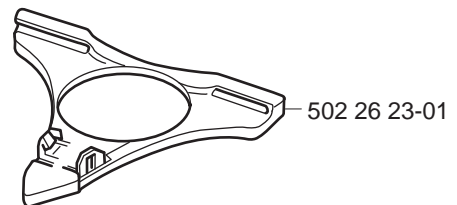
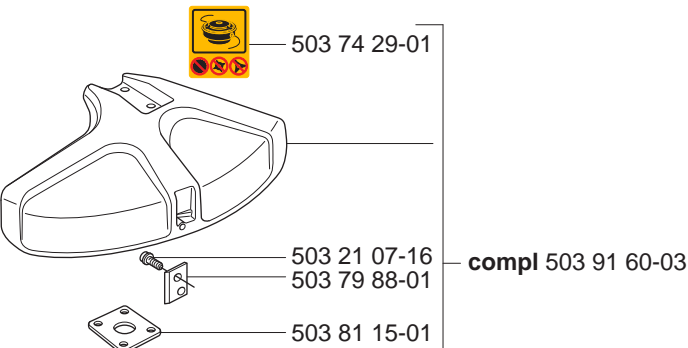
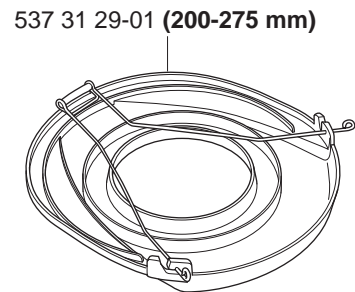
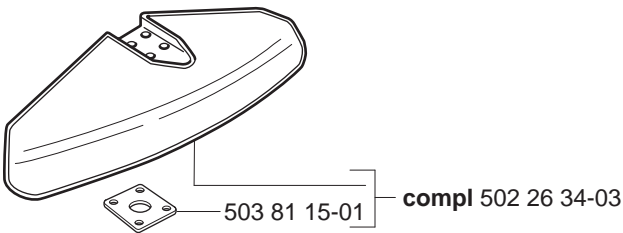
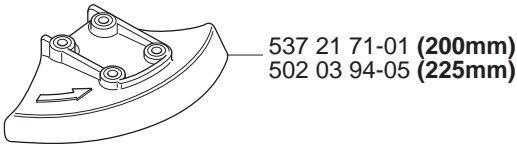
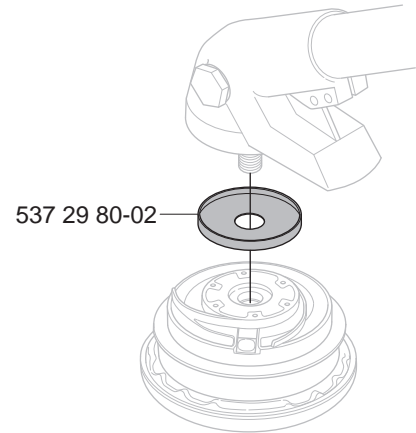
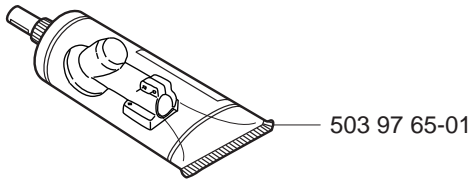
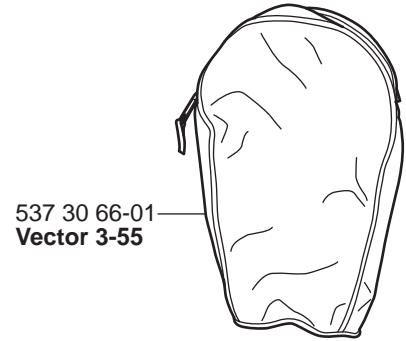
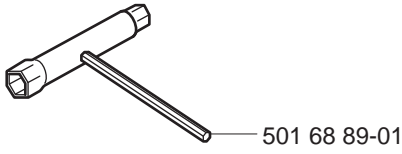
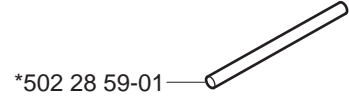
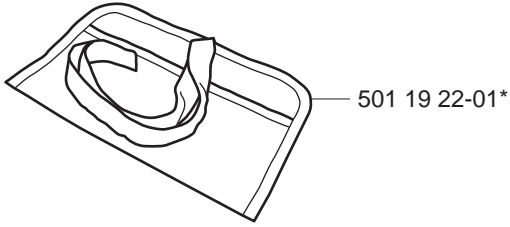
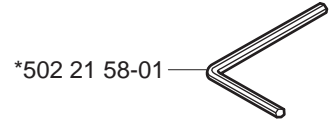
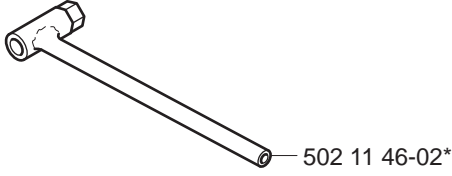
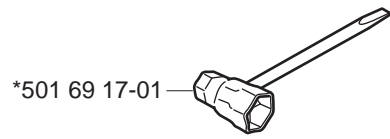
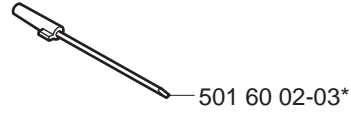
# ZAMA C1Q - EL 10 (EPA)





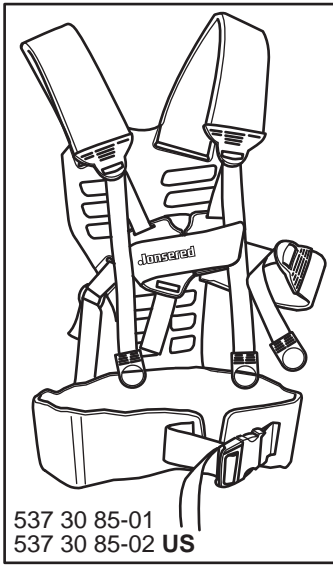
**S** Accessories  
 Zubehöre  
 Accessoires  
 Accesorios  
 Tillbehör

\*compl 502 27 33-03

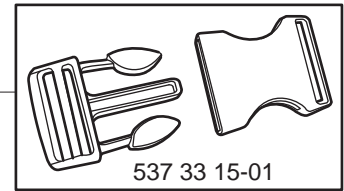
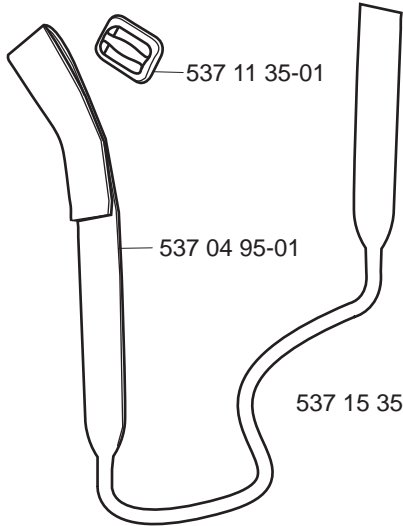
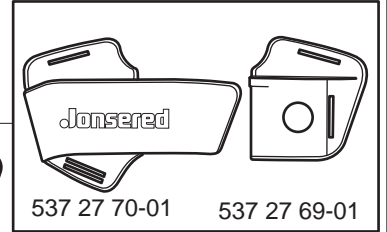
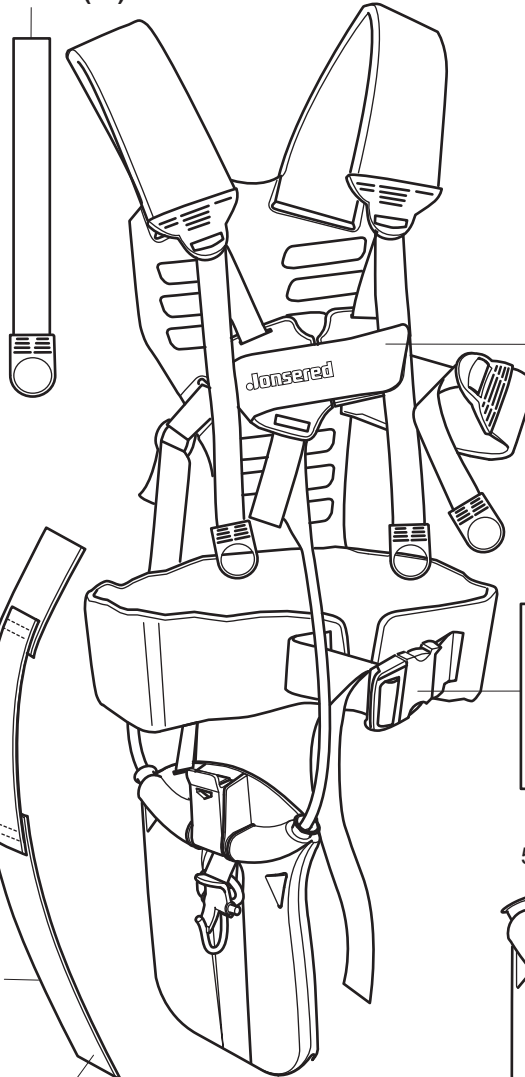


**T** compl 531 00 86-03  
compl 531 00 86-04 US

# Vector 3-55



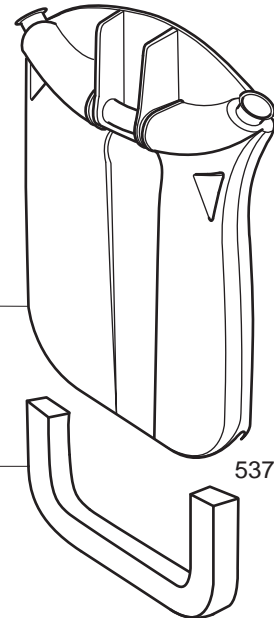
503 99 61-01 (x3)



537 15 35-01

501 60 82-01

compl 537 17 12-03

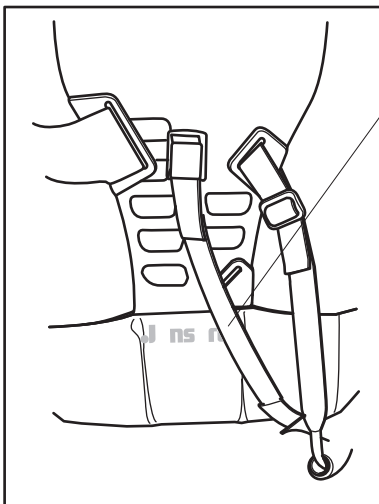


503 99 59-02

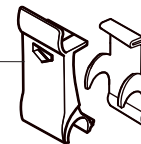


537 17 53-01

537 17 54-01 (x3)

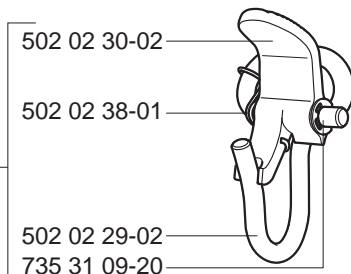


537 04 92-01

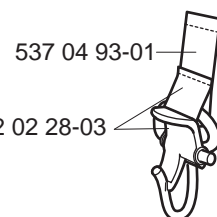


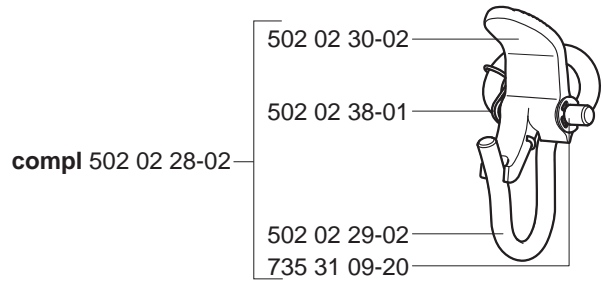
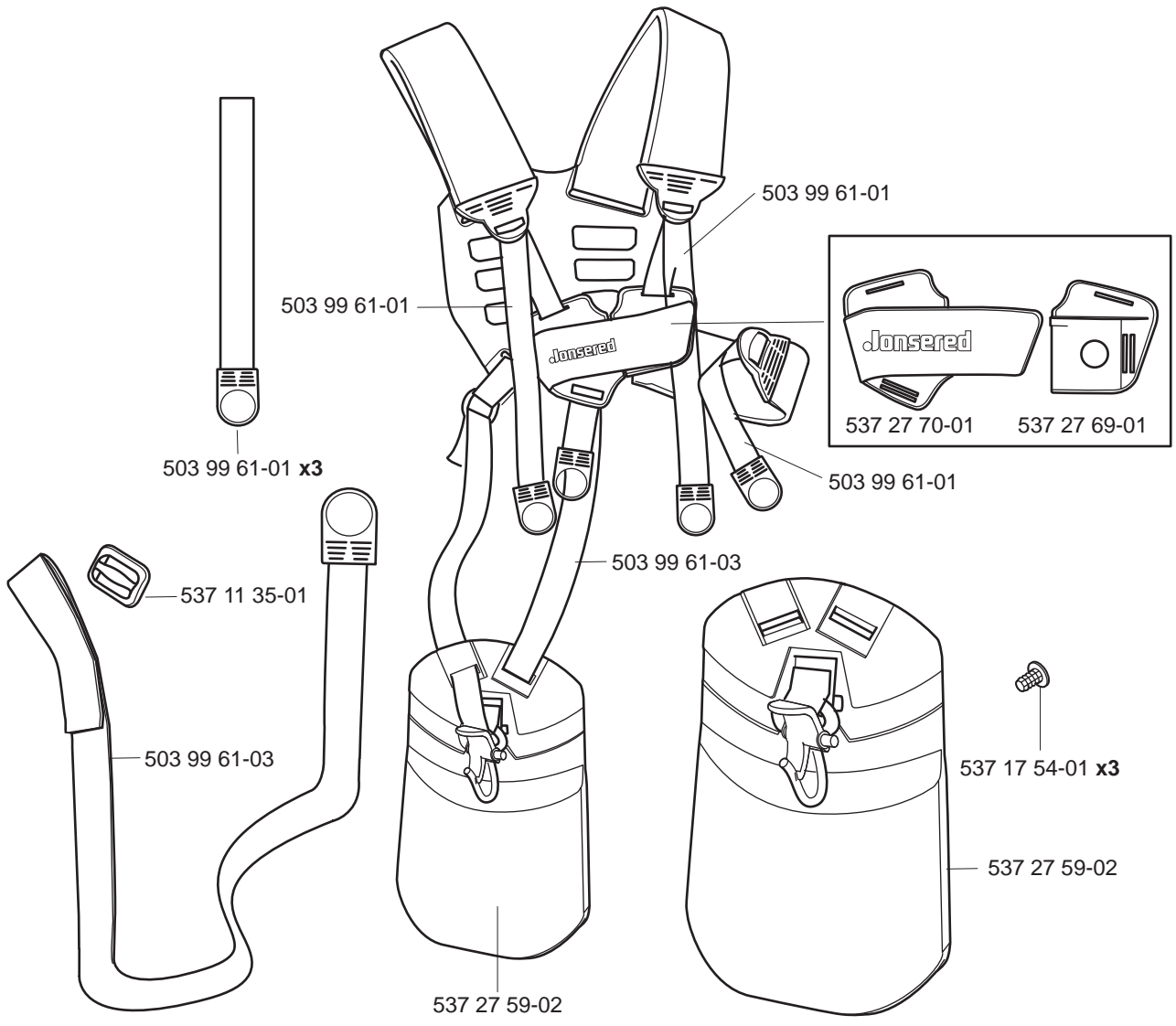
537 04 94-01

compl 502 02 28-02



compl 502 02 28-03

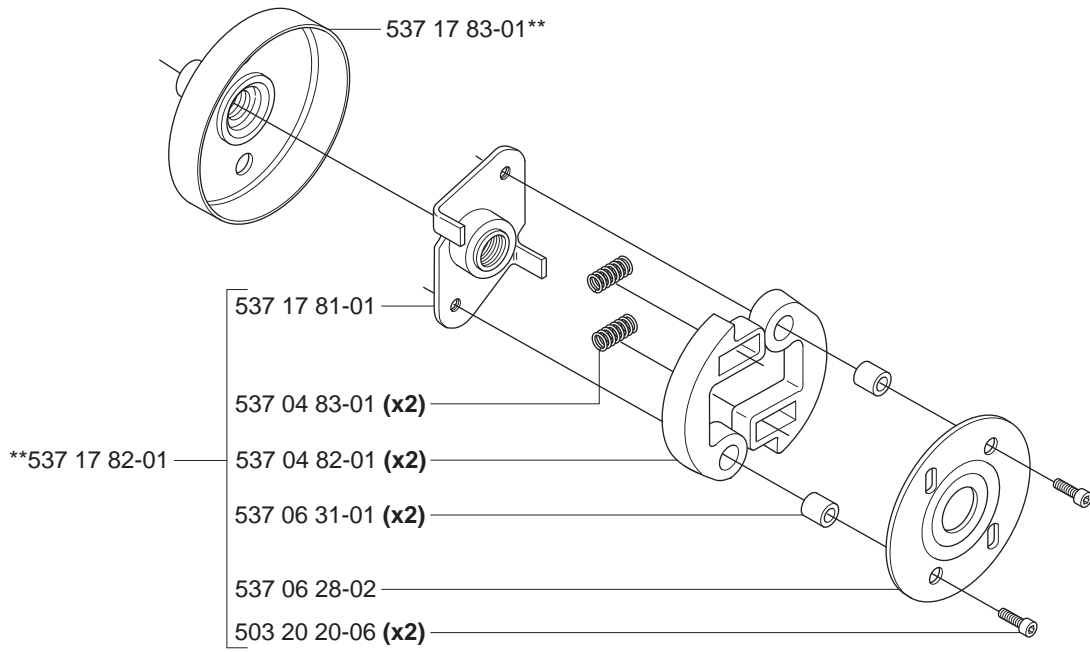




U



**\*\*compl 537 23 94-01**



PART NUMBER	SQUARE	NOTE	PART NUMBER	SQUARE	NOTE	PART NUMBER	SQUARE	NOTE	PART NUMBER	SQUARE	NOTE
501 19 22-01	S		502 22 26-01	A		503 44 08-02	N		504 21 00-16	H	
501 27 82-01	F		502 22 38-01	C		503 44 10-01	N		505 27 57-19	P	
501 45 16-01	NP		502 22 53-01	E		503 44 32-01	L		505 27 75-16	M	
501 48 54-02	M		502 22 67-01	A		503 47 86-01	R		505 30 51-25	K	
501 60 02-03	S		502 22 68-01	A		503 47 88-01	R		505 31 07-51	L	
501 60 82-01	T		502 23 02-01	P		503 47 89-01	R		506 01 06-07	N	
501 63 06-01	K		502 26 23-01	S		503 47 90-01	R		506 01 32-02	L	
501 68 89-01	S		502 26 34-03	S		503 47 91-01	R		506 01 64-01	K	
501 69 17-01	S		502 26 89-01	A		503 47 92-01	R		531 00 86-03	T	
501 76 31-01	K		502 26 93-01	A		503 47 94-01	R		531 00 86-04	T	
501 76 83-23	L		502 26 95-01	B		503 47 95-01	R		531 00 92-48	S	
501 77 00-02	L		502 27 25-01	A		503 47 96-01	R		537 00 76-01	E	
501 81 99-03	M		502 27 28-01	A		503 47 97-01	R		537 01 40-01	B	
502 02 28-02	T		502 27 33-03	S		503 47 99-01	R		537 01 40-02	B	
502 02 28-03	T		502 27 63-02	D		503 48 00-01	R		537 04 82-01	U	
502 02 29-02	T		502 27 64-02	D		503 48 01-01	R		537 04 83-01	U	
502 02 30-02	T		502 27 92-01	D		503 48 02-01	R		537 04 92-01	T	
502 02 38-01	T		502 27 92-03	C		503 48 03-01	R		537 04 93-01	T	
502 03 10-03	A		502 27 93-01	D		503 48 05-01	R		537 04 94-01	T	
502 03 94-05	S		502 28 06-15	D		503 48 09-01	R		537 04 95-01	T	
502 04 55-01	A		502 28 16-01	K		503 48 10-01	R		537 06 28-02	U	
502 06 28-01	C		502 28 21-01	D		503 48 13-01	R		537 06 31-01	U	
502 11 07-05	Q		502 28 24-01	F		503 48 14-01	R		537 06 71-01	C	
502 11 20-02	L		502 28 26-01	D		503 48 15-01	R		537 06 72-01	C	
502 11 22-03	J		502 28 33-04	C		503 48 16-01	R		537 11 35-01	T	
502 11 23-01	J		502 28 34-02	C		503 48 17-01	R		537 15 35-01	T	
502 11 24-02	J		502 28 35-03	C		503 48 18-01	R		537 17 12-03	T	
502 11 25-02	J		502 28 36-04	C		503 48 19-01	R		537 17 53-01	T	
502 11 38-01	F		502 28 37-06	C		503 48 21-01	R		537 17 54-01	T	
502 11 39-02	L		502 28 44-01	C		503 48 90-01	N		537 17 81-01	U	
502 11 45-02	G		502 28 55-01	A		503 57 38-06	P		537 17 82-01	U	
502 11 46-02	S		502 28 56-01	A		503 57 89-01	F		537 17 83-01	U	
502 11 51-05	F		502 28 57-02	A		503 62 55-02	N		537 19 65-01	K	N
502 11 52-01	H		502 28 59-01	S		503 62 56-01	N		537 21 71-01	S	N
502 11 57-03	L		502 28 60-08	C		503 66 59-01	R		537 23 94-01	U	
502 11 58-01	L		502 28 62-01	A		503 71 02-03	M		537 27 58-01	T	
502 11 59-03	A	N	503 17 31-02	H		503 71 82-01	D		537 27 58-03	T	
502 11 77-01	H		503 20 02-16	AKL		503 73 81-01	R		537 27 59-02	T	
502 11 79-03	D		503 20 02-30	A		503 74 29-01	S		537 27 69-01	T	
502 11 93-01	L		503 20 02-35	CE		503 75 53-01	R		537 27 70-01	T	
502 12 02-03	B		503 20 03-16	A		503 78 32-01	M		537 29 47-01	B	N
502 12 02-05	B		503 20 04-35	Q		503 79 00-02	M		537 29 47-03	B	N
502 12 23-07	G		503 20 07-20	H		503 79 41-01	D		537 29 80-02	S	
502 12 56-02	J		503 20 07-25	DH		503 79 88-01	S		537 30 66-01	S	
502 14 43-06	C		503 20 07-35	D		503 80 56-01	R		537 30 85-01	T	
502 14 44-01	C		503 20 07-45	E		503 81 15-01	S		537 30 85-02	T	
502 14 47-03	C		503 20 09-20	G		503 82 80-06	F		537 31 29-01	S	N
502 14 50-05	C		503 20 20-06	U		503 84 50-01	M		537 33 15-01	T	
502 14 51-01	CD		503 20 25-12	J		503 90 12-01	M		720 12 12-20	C	
502 15 70-01	S		503 20 25-20	M		503 90 18-01	S		725 23 82-88	D	
502 16 00-01	F		503 21 06-32	F		503 90 27-01	R		729 52 52-75	C	
502 17 50-06	C		503 21 07-16	S		503 90 29-01	R		735 31 09-20	T	
502 19 71-01	E		503 21 07-50	L		503 90 32-01	R		735 31 17-00	A	
502 19 92-03	D		503 21 67-22	CD		503 90 33-01	R		737 44 10-00	N	
502 19 94-03	D		503 21 77-16	K		503 90 34-01	R		738 21 02-00	A	
502 20 15-01	K		503 21 82-04	J		503 91 60-03	S		738 21 02-04	A	
502 20 16-01	K		503 22 10-11	M		503 97 40-01	R		738 22 02-19	H	
502 20 19-01	K		503 22 10-12	E		503 97 43-01	R		738 22 02-25	P	
502 20 21-01	J		503 22 23-02	J		503 97 52-02	G		738 22 03-25	A	
502 20 51-01	K		503 22 65-04	CD		503 97 52-03	G		740 42 21-00	A	
502 20 53-01	K		503 23 00-11	CL		503 97 52-04	G		740 42 24-00	A	
502 20 85-07	D		503 23 00-42	M		503 97 65-01	S		740 44 08-00	B	
502 20 86-08	D		503 23 00-62	E		503 99 41-01	R		740 51 13-01	B	
502 21 12-01	D		503 23 01-01	M		503 99 43-01	R				
502 21 18-01	F		503 23 51-08	M		503 99 59-02	T				
502 21 58-01	S		503 23 51-11	M		503 99 61-01	T				
502 21 93-01	D	N	503 28 31-09	LR		503 99 61-03	T				
502 22 15-02	E		503 28 90-03	N		503 99 75-01	E				
502 22 16-02	E		503 28 90-05	N		503 99 76-01	E				
502 22 23-01	A		503 28 90-10	N		504 18 44-01	H				

N = New part  
Neues teil  
Nouvelle pièce  
Nueva pieza  
Ny detalj

EPA = Environmental Protection Agency  
(for USA only)