



SB, CS2156, Introduction of manual decompression valve, 2006-02

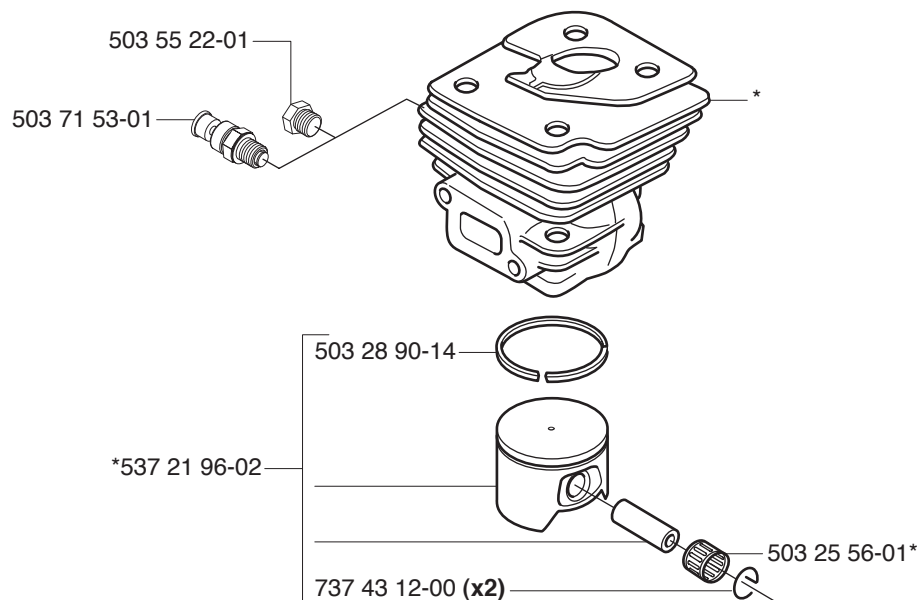
We have received information from our markets that the automatic decompression valve on CS2156 does not fully satisfy our stringent quality requirements. In the meantime, we will revert to the manual decompression valve on these saws while we rectify this problem. This is not a permanent solution and we will revert to the automatic decompression valve when we have reached a satisfactory level of quality.

Introduced from serial number: CS2156 060700001

New part no.	Description	Excl. part no.	Remark
537 24 85-04	Cylinder, complete		*
503 71 53-01	Manual decompression valve		

*Saws with manual decompression valves

*compl 537 24 85-04





Spare parts for saws with automatic decompression valves

When replacing spare parts on CS2156 with automatic decompression valve, cylinder, complete, part number 537 24 85-02 and automatic decompression valve, complete, part number 537 12 68-05, remain as spare parts.

Conversion of saws with automatic decompression valves to manual decompression valves

CS2156 with automatic decompression valve can be converted to a manual decompression valve. This is done by plugging the pulse channel with the plug, part number 537 18 00-01 and clamp, part number 537 32 09-01 and to fit the manual decompression valve, part number 503 71 53-01.

*compl 537 24 85-02 (CS2156)

