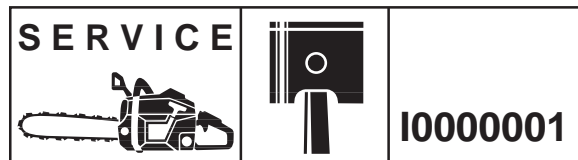


# Jonsered



IPL, 2115, 2116, 2118 EL, 2000-02, 106 26 09-61

# 2115, 2116, 2118 EL

**Spare parts**

**Ersatzteile**

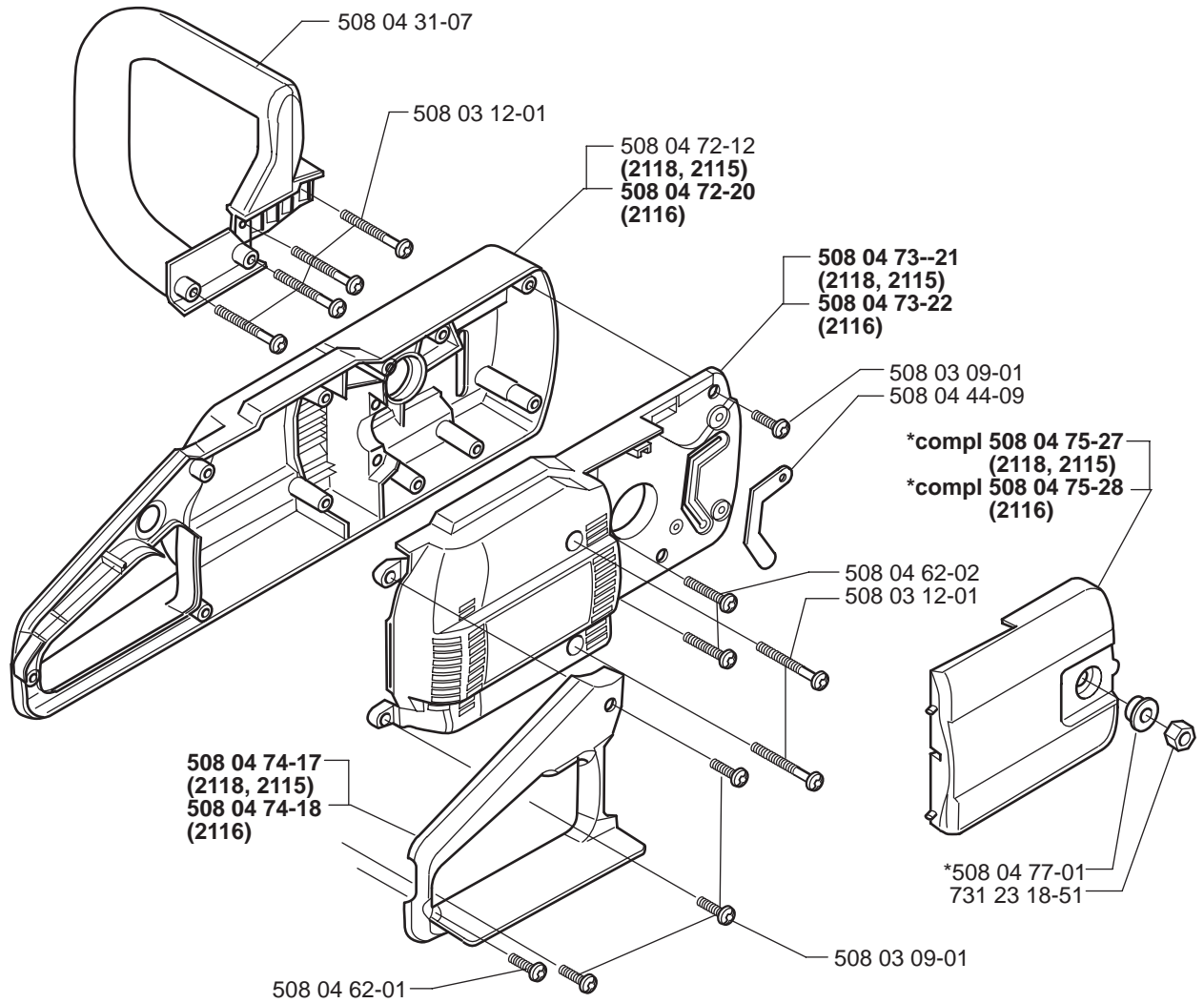
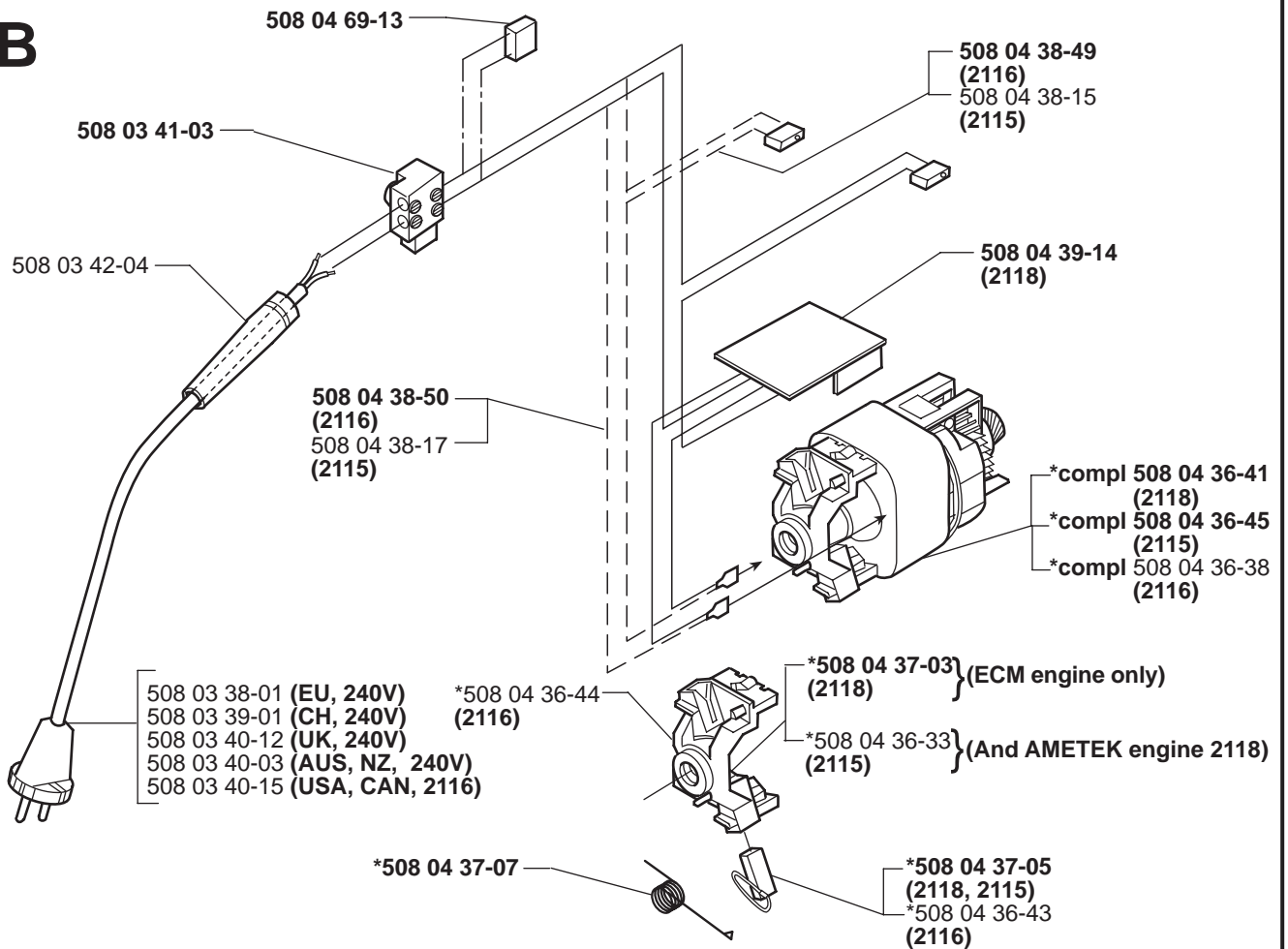
**Pièces détachées**

**Reserve onderdelen**

**Repuestos**

**Reservdelar**

106 26 09-61

**A****B**

**C**

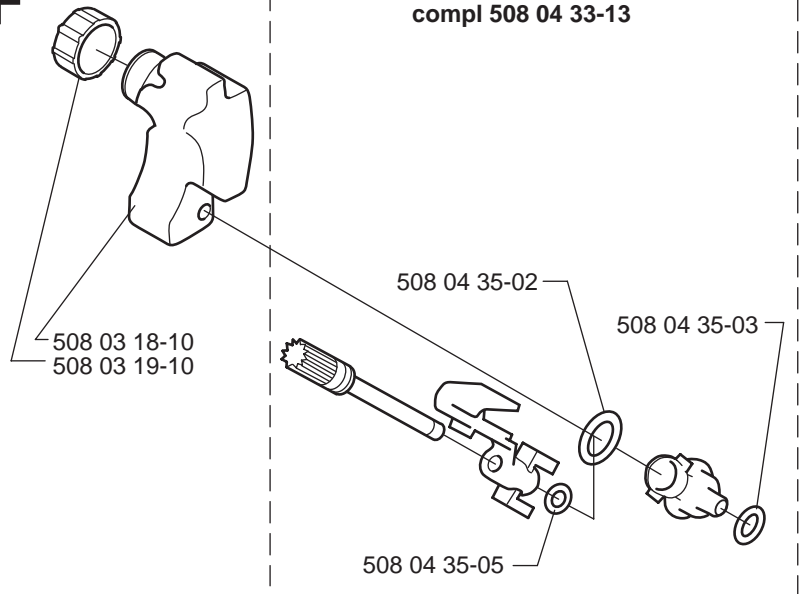
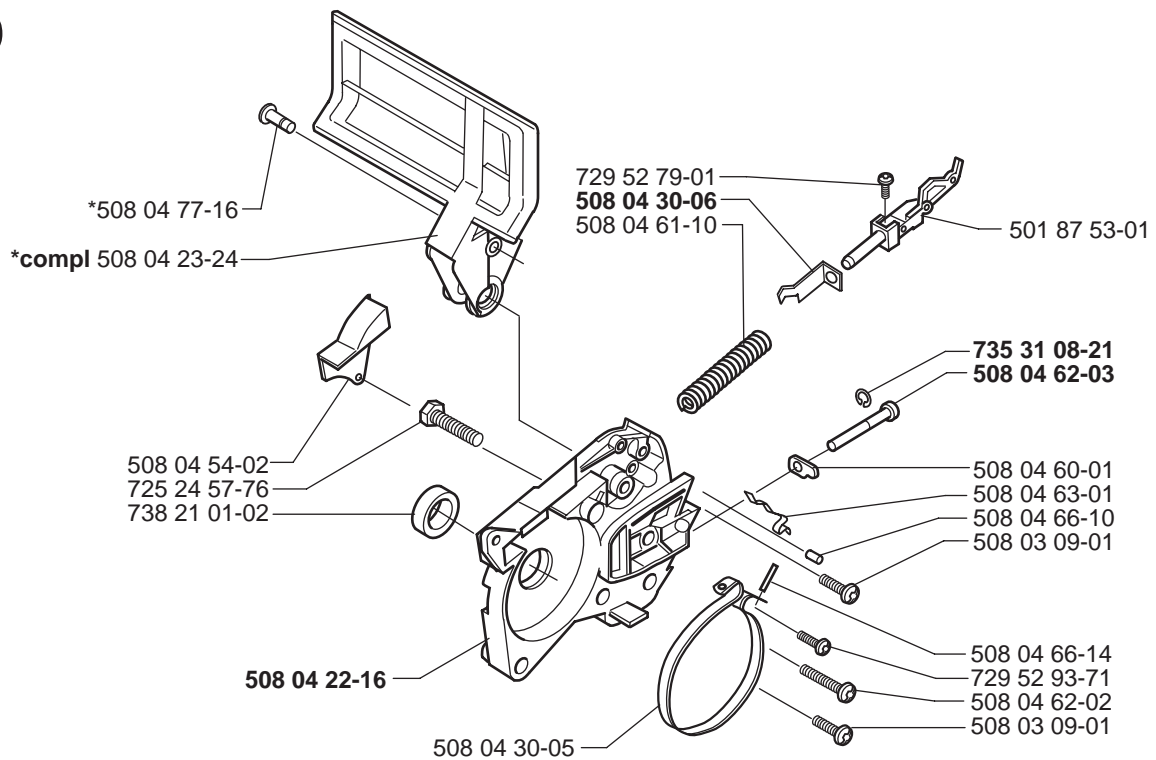
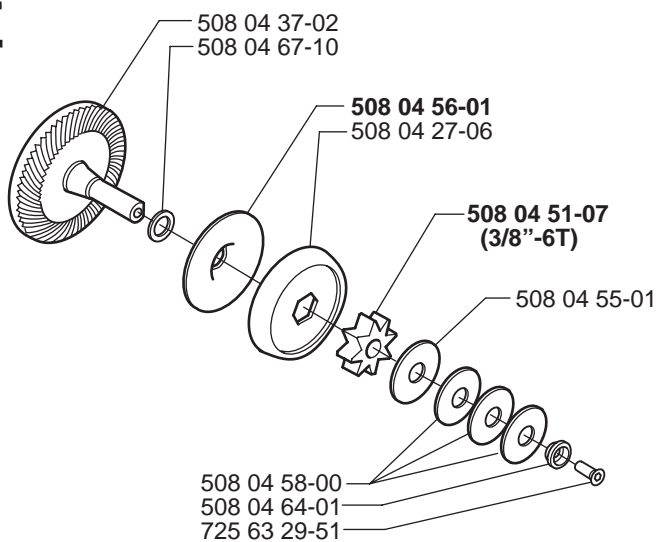
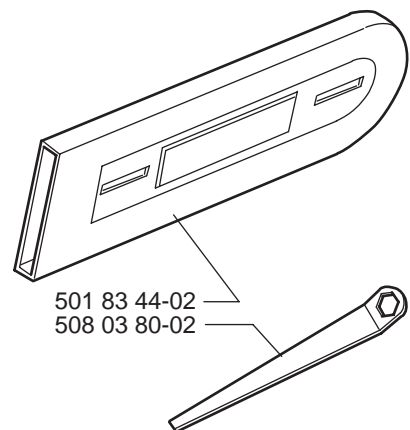
508 03 89-15



508 03 89-16



508 03 89-14

**F****D****E****G**

MODEL 2115, 2116, 2118 EL

PART NUMBER	SQUARE NOTE	PART NUMBER	SQUARE NOTE	PART NUMBER	SQUARE NOTE	PART NUMBER	SQUARE NOTE
501 83 44-02	G	725 63 29-51	E				
501 87 53-01	D	729 52 79-01	D				
508 03 09-01	AD	729 52 93-71	D				
508 03 12-01	A	731 23 18-51	A				
508 03 18-10	F	735 31 08-21	D	N			
508 03 19-10	F	738 21 01-02	D				
508 03 38-01	B						
508 03 39-01	B						
508 03 40-03	B						
508 03 40-12	B						
508 03 40-15	B						
508 03 41-03	B					N	
508 03 42-04	B						
508 03 80-02	G						
508 03 89-14	C					N	
508 03 89-15	C					N	
508 03 89-16	C					N	
508 04 22-16	D					N	
508 04 23-24	D						
508 04 27-06	E						
508 04 30-05	D						
508 04 30-06	D					N	
508 04 31-07	A						
508 04 33-13	F					N	
508 04 35-02	F						
508 04 35-03	F						
508 04 35-05	F						
508 04 36-33	B						
508 04 36-38	B						
508 04 36-41	B					N	
508 04 36-43	B						
508 04 36-44	B						
508 04 36-45	B					N	
508 04 37-02	E						
508 04 37-03	B					N	
508 04 37-05	B					N	
508 04 37-07	B					N	
508 04 38-15	B						
508 04 38-17	B						
508 04 38-49	B					N	
508 04 38-50	B					N	
508 04 39-14	B					N	
508 04 44-09	A						
508 04 51-07	E					N	
508 04 54-02	D						
508 04 55-01	E						
508 04 56-01	E					N	
508 04 58-00	E						
508 04 60-01	D						
508 04 61-10	D						
508 04 62-01	A						
508 04 62-02	AD						
508 04 62-03	D					N	
508 04 63-01	D						
508 04 64-01	E						
508 04 66-10	D						
508 04 66-14	D						
508 04 67-10	E						
508 04 69-13	B					N	
508 04 72-12	A						
508 04 72-20	A					N	
508 04 73-21	A					N	
508 04 73-22	A					N	
508 04 74-17	A					N	
508 04 74-18	A					N	
508 04 75-27	A					N	
508 04 75-28	A					N	
508 04 77-01	A						
508 04 77-16	D						
725 24 57-76	D						

N = New part  
 Neues teil  
 Nouvelle piece  
 Nueva pieza  
 Ny detalj