

**REPAIR PARTS MANUAL**  
**MODEL NO. JLR115T**  
**LAWN TRACTOR LR 10T**

---

**Jonsered**

# HOW TO USE THIS MANUAL


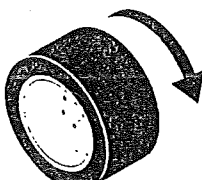

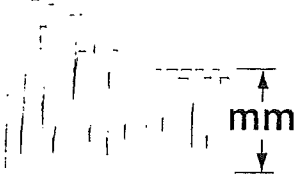

This manual is designed to provide the customer with a means to identify the parts on his/her tractor when ordering repair parts. The illustrations may or may not represent the actual assemblies; therefore, it is not recommended to use this manual as a guide to assemble or disassemble the tractor. Some hardware and parts are drawn larger in order to more readily identify them.

Each tractor has its own model number.

The model number for your tractor can be found on the fender under the seat.

When ordering parts, always give the following information:

- Product - "Tractor"
- Model Number - "JLR115T90A"
- Part Number
- Part Description

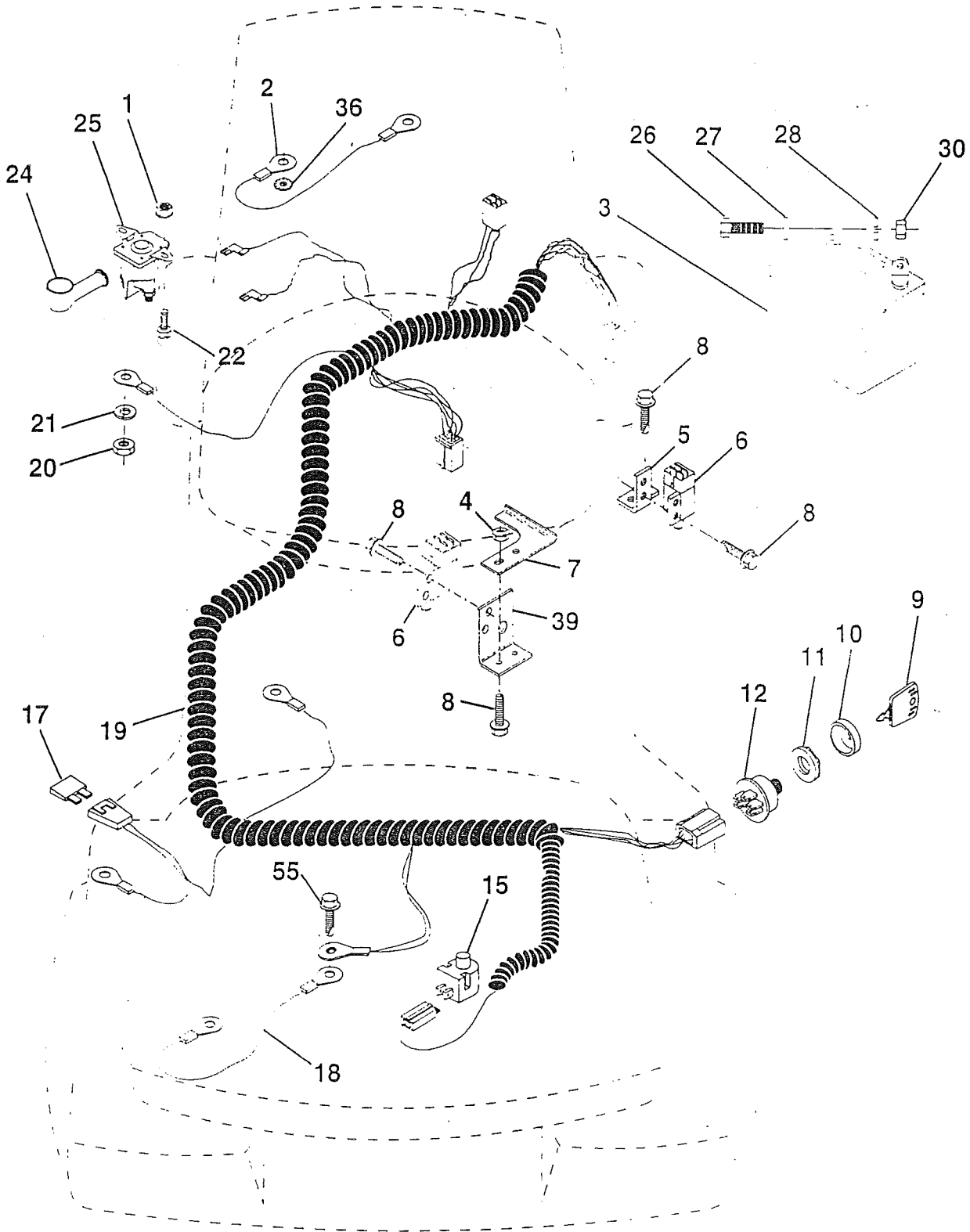
 hp/kw	 km/h	 cm	 mm	 KG	dB (A)
11,5/8,5	0-5,8	91	25-89	205	100

## TABLE OF CONTENTS

HOOD .....	3
FENDER/CHASSIS .....	4
SEAT .....	5
DASH .....	6
STEERING .....	7
BRAKE/LIFT .....	8
FRONT AXLE .....	9
SECTOR GEAR .....	10
ENGINE .....	11
DRIVE .....	12
TRANSAXLE .....	13
DECAL .....	15
MOWER DECK .....	16-17
ELECTRICAL .....	18-19
TRANSAXLE IPB .....	20-21

# REPAIR PARTS

TRACTOR - MODEL NO. JLR115T (JLR115T90A), PRODUCT NO. 954 20 00-01  
ELECTRICAL



# REPAIR PARTS

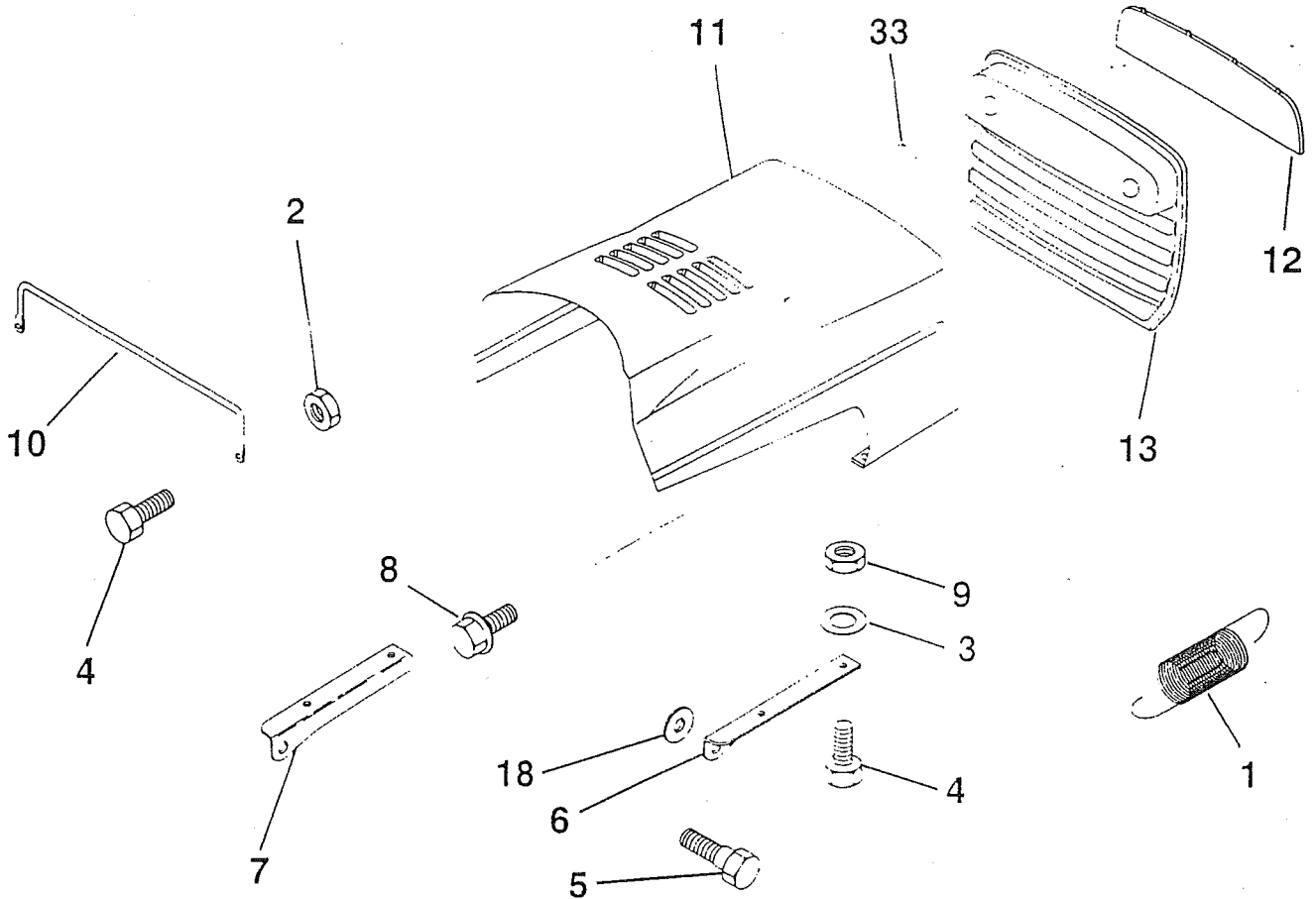
TRACTOR - MODEL NO. JLR115T (JLR115T90A), PRODUCT NO. 954 20 00-01  
ELECTRICAL

KEY NO.	PART NO.	DESCRIPTION
1	873640400	Nut, Hex Keys 1/4-20
2	532004560	Assembly, Cable
3	532146138	Battery
4	532069180	Nut, Lock#10-24 UNC
5	532108236	Bracket, Switch
6	532109553	Switch, Interlock (4-terminal)
7	532146374	Keeper Actuator
8	817021008	Screw, Hex Hd. Self-Tapping #10-24 x 1/2
9	532140402	Key, Steel
10	532141226	Cover, Key Ignition
11	532140400	Nut, Ignition
12	532144921	Switch, Ignition
15	532121305	Switch, Plunger
17	532108824	Fuse
18	532128353	Assembly, Cable
19	532146063	Harness, Ignition
20	873350400	Nut, Hex Jam 1/4-20
21	810090400	Washer, Lock 1/4
22	871110408	Bolt, Fin. Hex 1/4-20 UNC x 1/2
24	532131563	Cover, Terminal
25	532145673	Solenoid
26	874760412	Bolt, Hex Hd. 1/4-20 UNC x 3.4
27	819091016	Washer 9/32 x 5/8 x 15
28	810040400	Washer, Lock 1/4
30	873220400	Nut, Fin. Hex 1/4-20 UNC
36	811150400	Washer Lock Inter. Tooth 1/4
39	532141735	Bracket Switch Clutch
55	817490508	Screw Thdrol 5/16 - 18 x 1/2

HARDWARE SHOWN LARGER FOR EASIER IDENTIFICATION

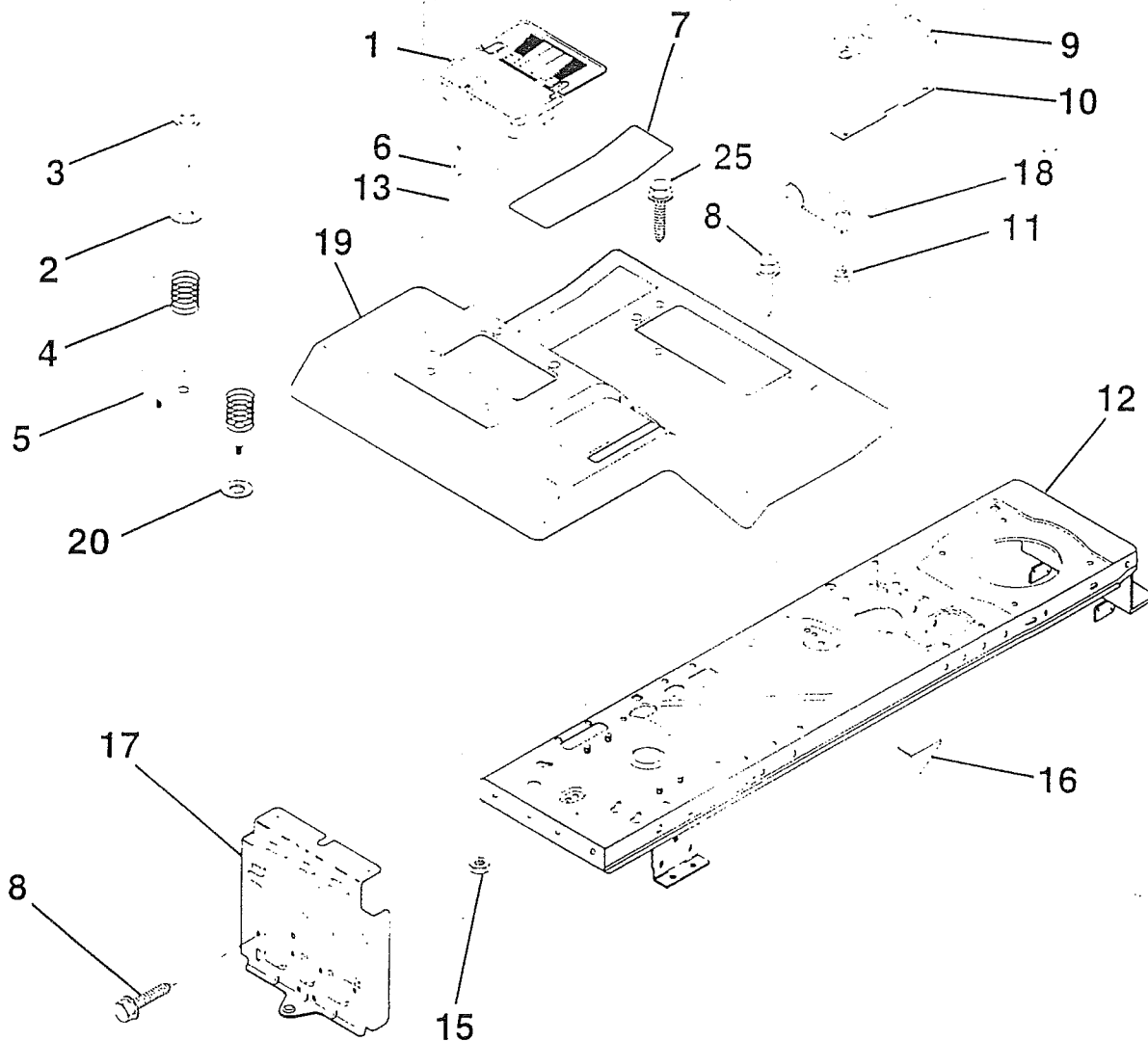
# REPAIR PARTS

TRACTOR - MODEL NO. JLR115T (JLR115T90A), PRODUCT NO. 954 20 00-01  
HOOD



KEY NO.	PART NO.	DESCRIPTION
1	532124657	Extension, Spring
2	873640400	Nut, Hex, Keps 1/4-20
3	819091416	Washer, 9/32 x 7/8 x 16 Ga.
4	874780412	Bolt, Hex Fin 1/4-20 x 3/4 Gr. 5
5	532139888	Bolt, Shoulder
6	532122549	Bracket, Hood R. H.
7	532122548	Bracket, Hood L.H.
8	817521312	Screw Sltd. Hex Hd W/PL Washer

KEY NO.	PART NO.	DESCRIPTION
9	873800400	Nut Lock W.Insert 1/4-20 UNC
10	532123693	Brace, Hood
11	532125429	Hood
12	532122035	Lens Clear Bar
13	532127029	Grille
18	819111116	Washer 11 32 x 11/16 x 16 Ga.
33	532131319	Plug, Socket Light

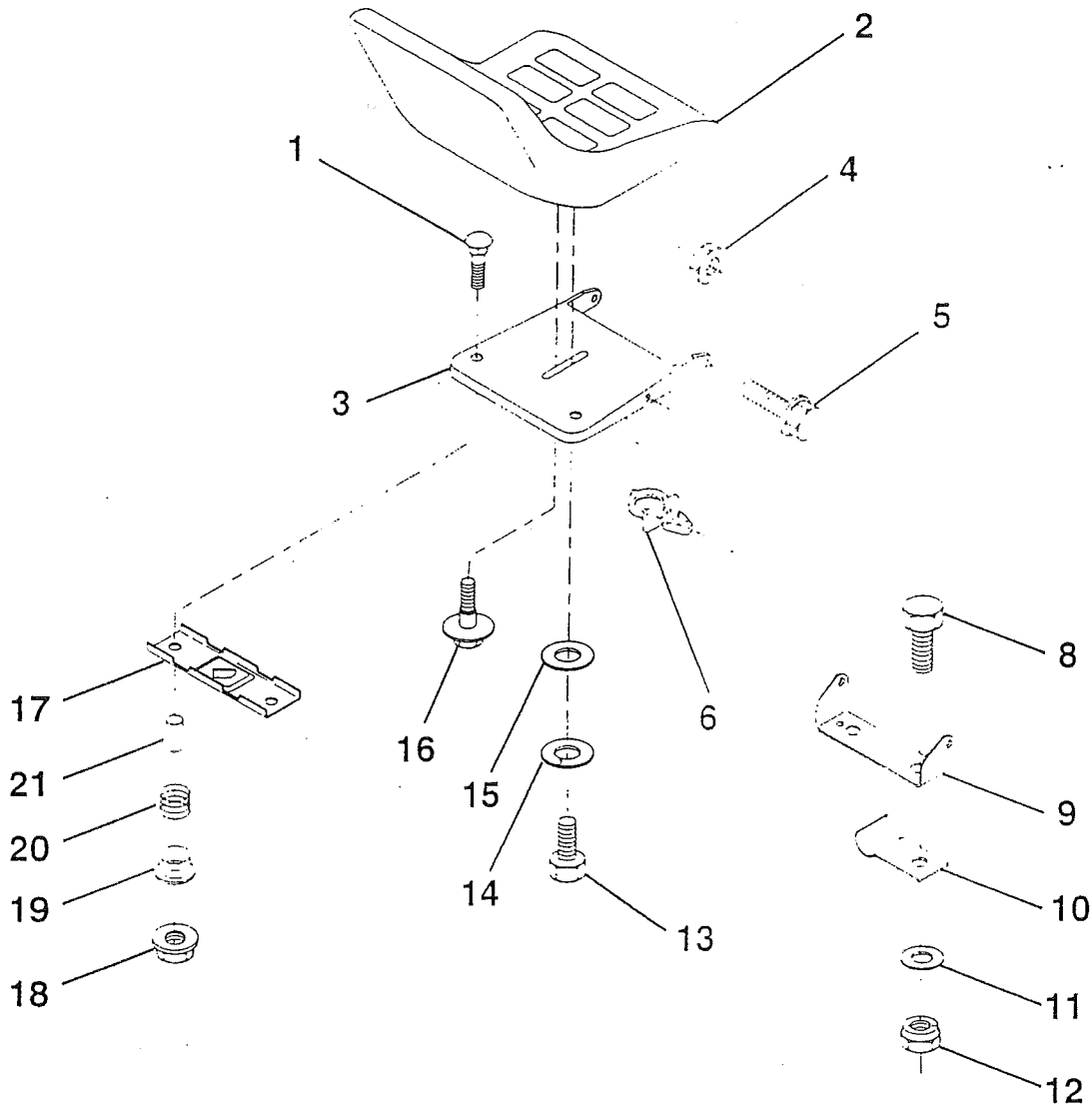


KEY NO.	PART NO.	DESCRIPTION	KEY NO.	PART NO.	DESCRIPTION
1	532156417	Case, Battery	11	532124346	Nut, Self-Threading, Wsher Hd 3/16
2	819132012	Washer 13/32 x 1-1/4 x 12 Ga.	12	532145190	Assembly, Frame
3	817490612	Screw, Hex Wsh. Thrdrol 3/8-16 x 3/4	13	532109238	Tube, Battery Drain
4	532124181	Spring, Compression, Seat	15	873640400	Nut, Keps 1.4-20 UNC
5	532125431	Plate, Asm. Battery	16	532141736	Switch Actuator
6	532109596	Clamp, Hose	17	532140782	Drawbar
7	532124144	Pad, Footrest	18	532126470	Clip, Insulated
8	817490512	Screw Thrdrol 5/16-18 x 3/4	19	532141650	Fender/Foctrst
9	532126996	Console, Shift Control	20	819091413	Washer 9/32 x 7/8 x 13 Ga.
10	532139783	Bar, Shift Lock	25	817190516	Scr-Hx Wsh Thd Rol 5/16-18 x 1

HARDWARE SHOWN LARGER FOR EASIER IDENTIFICATION

# REPAIR PARTS

TRACTOR - MODEL NO. JLR115T (JLR115T90A), PRODUCT NO. 954 20 00-01  
SEAT



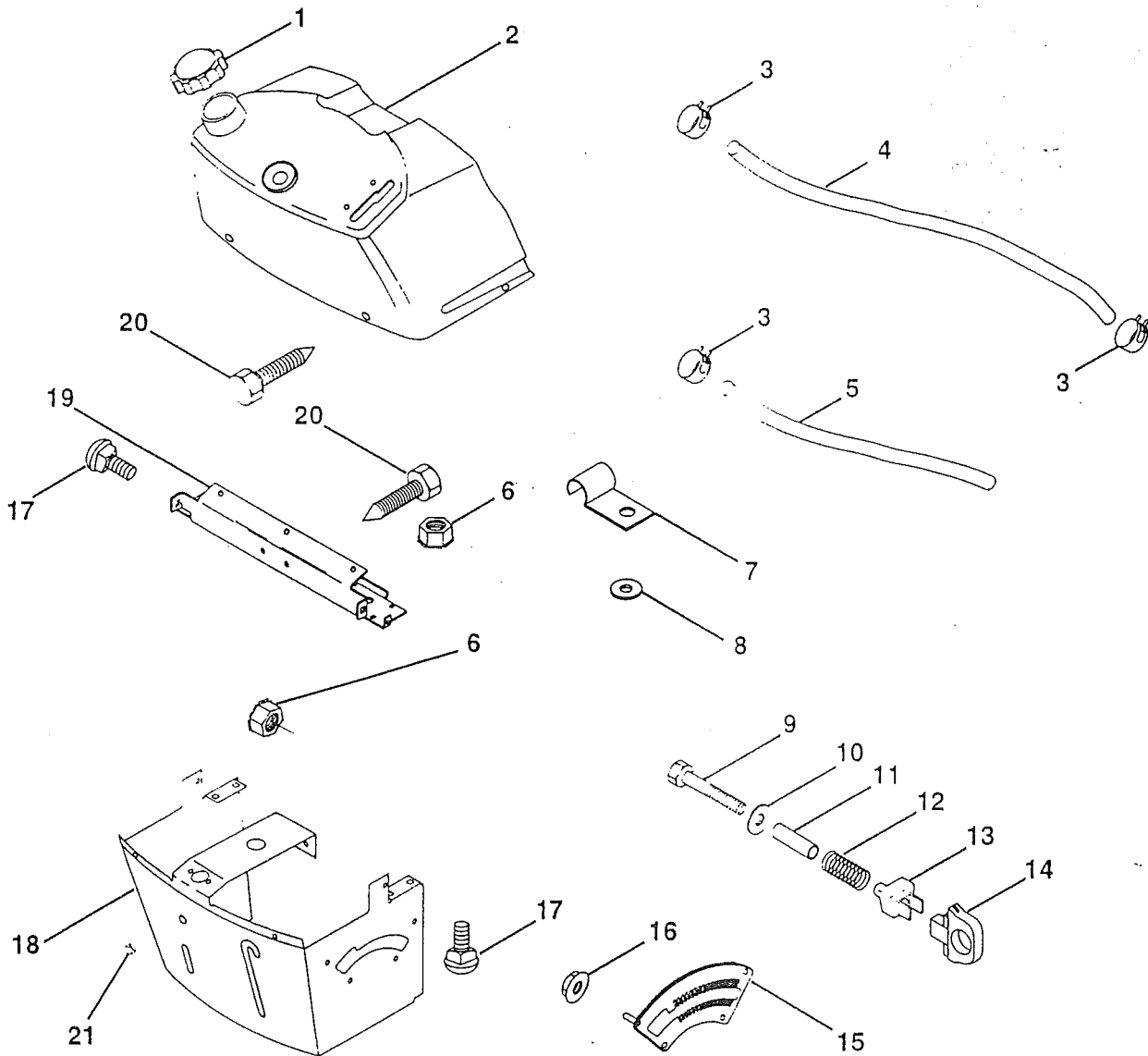
KEY NO.	PART NO.	DESCRIPTION	KEY NO.	PART NO.	DESCRIPTION
1	872050411	Bolt, Carriage 1/4-20 x 1-3/8	12	873800600	Nut, Lock Hex w/Wsh 3/8-16 UNC
2	532127426	Seat	13	874780814	Bolt Hex 1/2-13 x 7/8
3	532155925	Pan, Seat	14	810040800	Washer Lock Hvy. Hlicl Spring 1/2
4	873800500	Nut, Lock Hex w/Ins. 5/16-18	15	819171912	Washer, 17 32 x 1-3/16 x 12 Ga.
5	532153236	Bolt, Shoulder 5/16-18 UNC	16	532127018	Bolt, Shoulder
6	532145006	Clip, Push-in	17	532121246	Bracket, Switch, Mounting
8	874760616	Bolt, Fin Hex 3/8-16 UNC x 1	18	532123976	Nut, Hex Large Flange Lock
9	532140551	Bracket, Pivot Seat	19	532121248	Bushing, Snap
10	532126471	Clip Insulator	20	532121250	Spring, Compression
11	819133210	Washer 12/32 x 2 x 10 Ga.	21	532134300	Spacer, Split 28 Id. x .88 Lg.

HARDWARE SHOWN LARGER FOR EASIER IDENTIFICATION

# REPAIR PARTS

TRACTOR - MODEL NO. JLR115T (JLR115T90A), PRODUCT NO. 954 20 00-01

DASH



KEY NO.	PART NO.	DESCRIPTION
1	532141523	Cap. Fuel
2	532138393	Assembly, Dash & Fuel Tank
3	532123487	Clamp, Hose
4	532008544	Line, Fuel
5	532008548	Line, Fuel
6	873640400	Nut, Hex, Keps 1/4-20
7	532124996	Clip, Fuel Line
8	819091216	Washer 9/32 x 3/4 x 16 Ga.
9	874760428	Bolt, Hex, Fin 1/4-20 x 1-3/4
10	819091413	Washer 11/32 x 11/16 x 16 Ga.
11	532121249	Spacer, Split

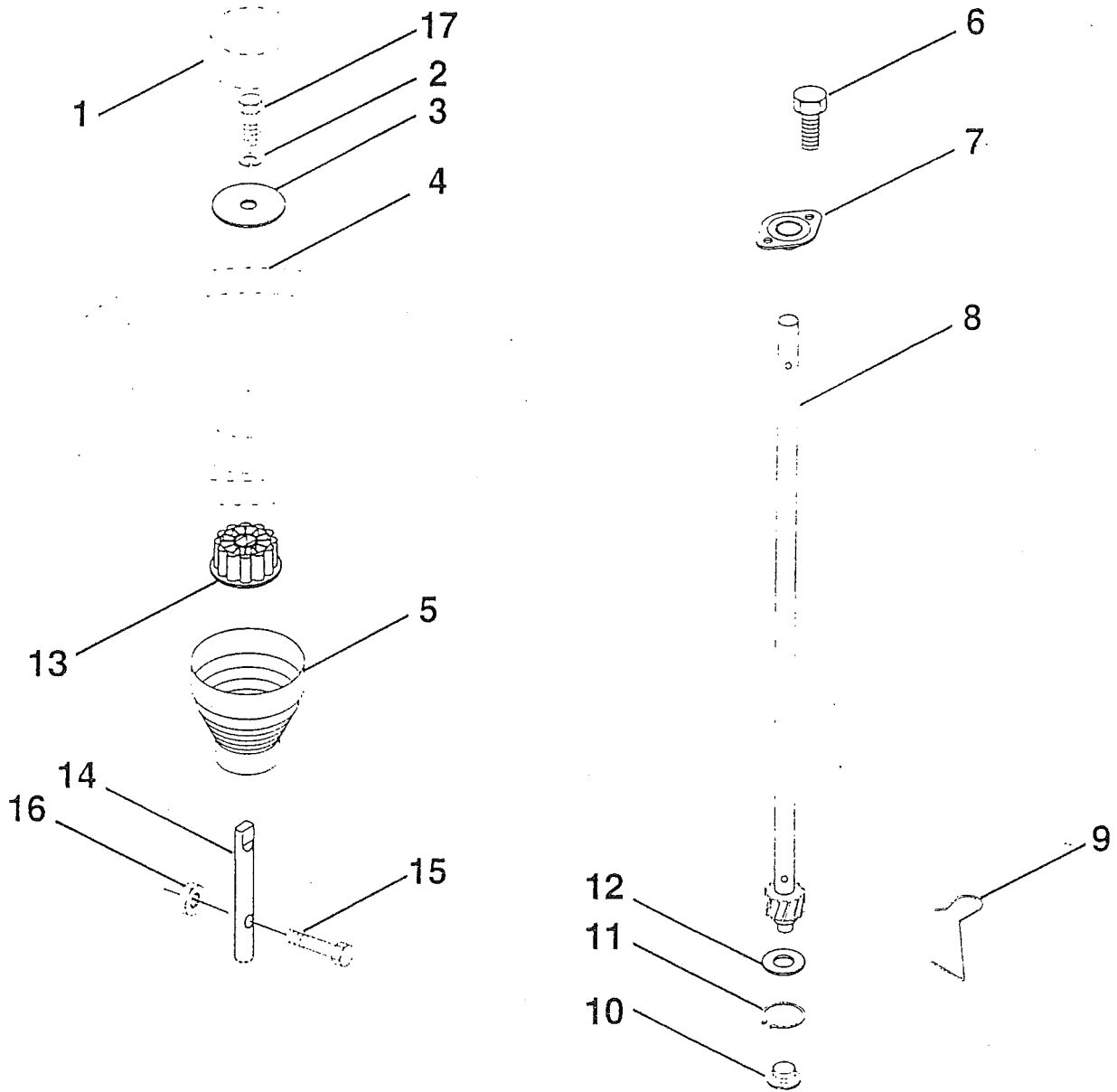
KEY NO.	PART NO.	DESCRIPTION
12	532003720	Spring
13	532126450	Clip, Height Adjustment
14	532126115	Knob, Height Stop
15	532122023	Adjustment, Quadrant Height
16	532124346	Nut, Self-Threading 3/16-18
17	872110404	Bolt, Carriage 1/4-20 x 1/2 Gr. 5
18	532130745	Support Assembly, Dash
19	532134744	Brace, Cross
20	817060408	Screw, Self-Tapping 1/4-20 x 1/2
21	532134014	Plug Dome Black

HARDWARE SHOWN LARGER FOR EASIER IDENTIFICATION



# REPAIR PARTS

TRACTOR - MODEL NO. JLR115T (JLR115T90A), PRODUCT NO. 954 20 00-01  
STEERING WHEEL



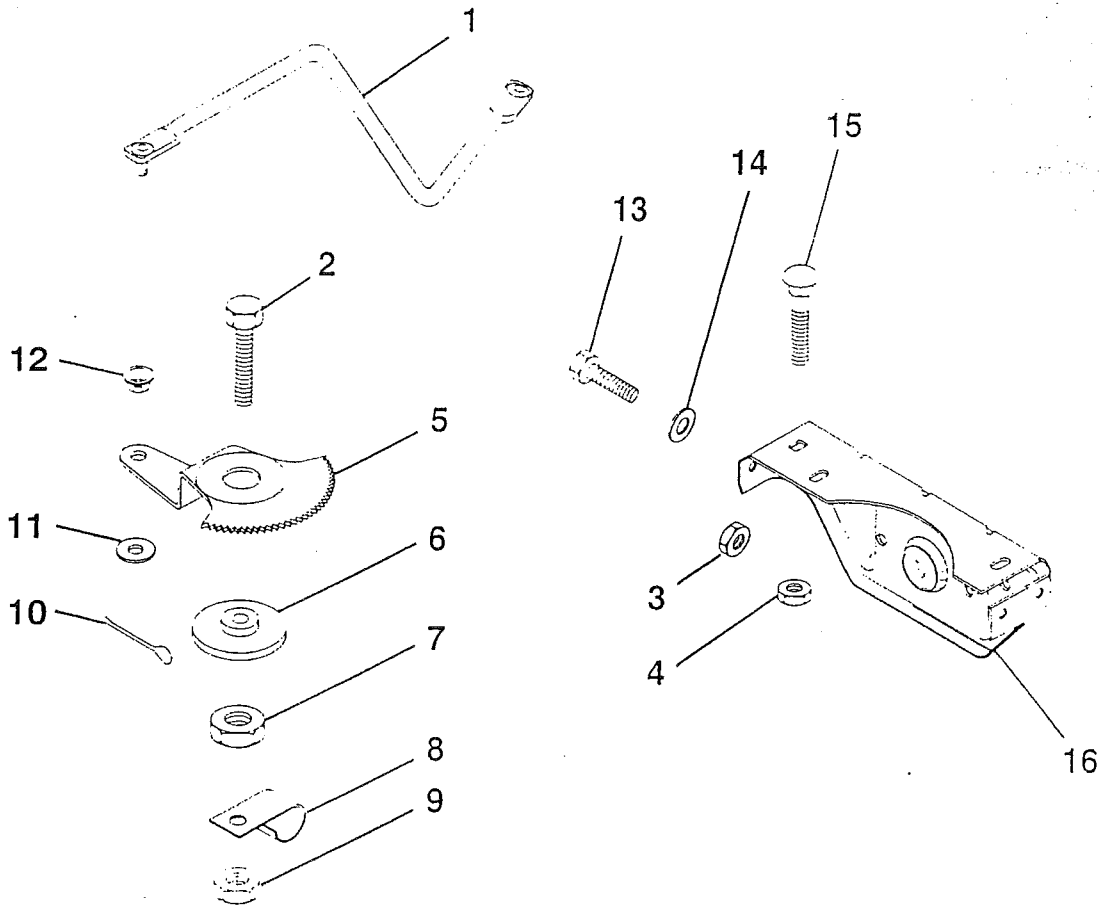
KEY NO.	PART NO.	DESCRIPTION
1	532140175	Insert, Wheel, Steering
2	810040600	Washer Lock Hevy Hlcl
3	819133808	Washer 12/32 x 2-3/8 x 8 Ga.
4	532139768	Wheel, Steering
5	532121897	Sleeve, Steering
6	532152927	Screw
7	532155104	Bushing, Steering
8	532147391	Shaft, Steering

KEY NO.	PART NO.	DESCRIPTION
9	532124210	Clip, Steering
10	532123438	Bushing, Lower, Steering
11	812000045	Ring, Retaining
12	819211616	Washer 21/32 x 1 x 16 Ga.
13	532100711	Adaptor, Wheel, Steering
14	532153720	Extension Shaft Steering
15	874780520	Bolt Fin Hex 5/16-18 UNC x 1-1/4
16	873800500	Nut Lock Hex W/Ins 5/416-18 UNC
17	874780616	Bolt Fin Hex 3/8-16unc x 1

HARDWARE SHOWN LARGER FOR EASIER IDENTIFICATION

# REPAIR PARTS

TRACTOR - MODEL NO. JLR115T (JLR115T90A), PRODUCT NO. 954 20 00-01  
SECTOR GEAR / AXLE SUPPORT



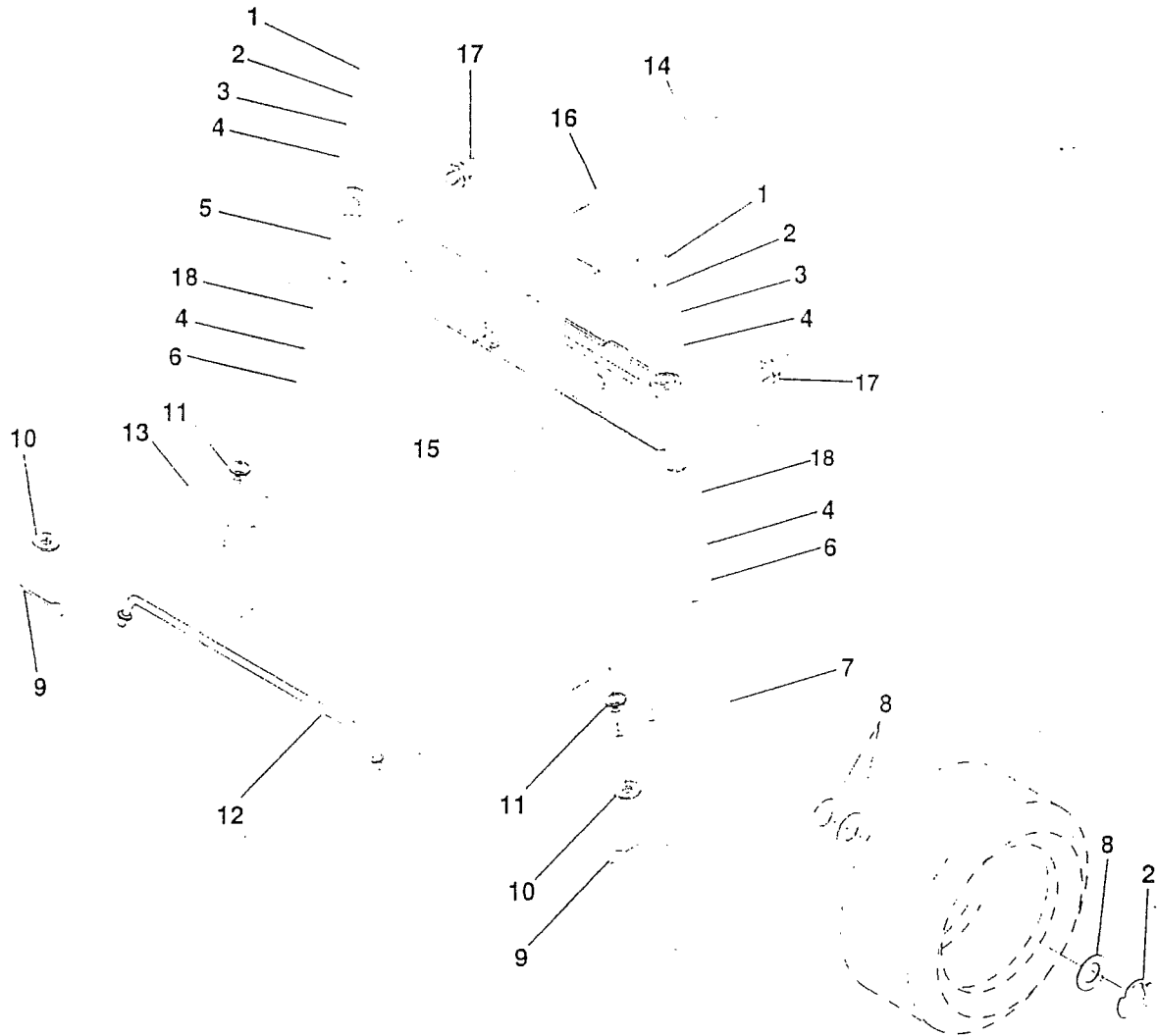
KEY NO.	PART NO.	DESCRIPTION
1	532132566	Link, Drag
2	874780828	Bolt, Fin Hex 1/2-13 x 1-3/4
3	873680500	Nut, Crownlock 5/16-18
4	873680600	Nut, Crownlock 3/8-16
5	532121926	Gear, Sector
6	532121927	Bushing
7	873030800	Nut, Heavy Hex Top Lock 1/2-13 UNC
8	532126472	Clip, Insulated

KEY NO.	PART NO.	DESCRIPTION
9	873680800	Nut, Crownlock 3/8-16
10	876020412	Pin, Cotter 1/8 x 3/4
11	819131316	Washer, 13/32 x 13/16 x 16 Ga.
12	532126847	Bushing
13	874760512	Bolt, Hex Hd. 5/16-18 UNC x 3/4
14	819111416	Washer 11/32 x 7/8 x 16 Ga.
15	872110606	Bolt, Carriage 3/8-16 UNC x 3/4
16	532137096	Support, Front Axle

HARDWARE SHOWN LARGER FOR EASIER IDENTIFICATION

# REPAIR PARTS

TRACTOR - MODEL NO. JLR115T (JLR115T90A), PRODUCT NO. 954 20 00-01  
FRONT AXLE

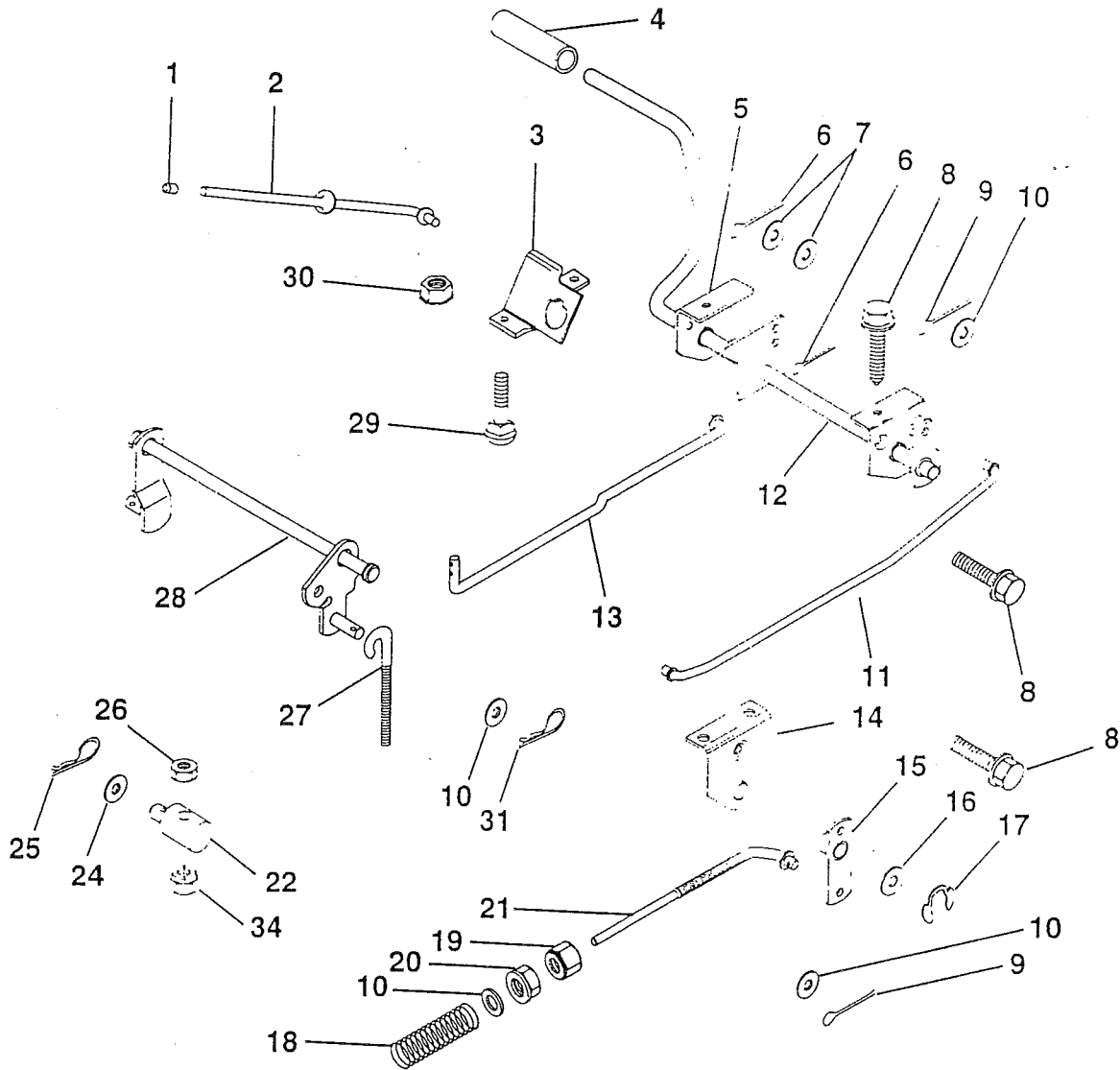


KEY NO.	PART NO.	DESCRIPTION	KEY NO.	PART NO.	DESCRIPTION
1	532121232	Cap. Spindle	10	819131316	Washer 13/32 x 13/16 x 16 Ga.
2	812000029	Ring, Clip	11	532126847	Bushing
3	532121748	Washer 25/32 x 1-5/8 x 16 Ga.	12	532130465	Rod, Tie
4	532124937	Nyliner	13	532137061	Spindle, L.H. Asm.
5	532142033	Axle, Front	14	874011056	Bolt Hex 5/8-11 x 3-1/2
6	532124931	Bearing, Thrust	15	873901000	Nut, Lock Flange 5/8-11
7	532137062	Spindle, R.H. Asm.	16	532110438	Spacer Bearing Axle
8	532121749	Washer 25/32 x 1-1/4 x 16 Ga.	17	532124836	Fitting Grease
9	876020412	Pin, Cotter 1/8 x 3/4	18	819272016	Washer 27/32 x 1-1/4 x 16 Ga.

HARDWARE SHOWN LARGER FOR EASIER IDENTIFICATION

# REPAIR PARTS

TRACTOR - MODEL NO. JLR115T (JLR115T90A), PRODUCT NO. 954 20 00-01  
BRAKE / REAR MOWER LIFT ASSEMBLY

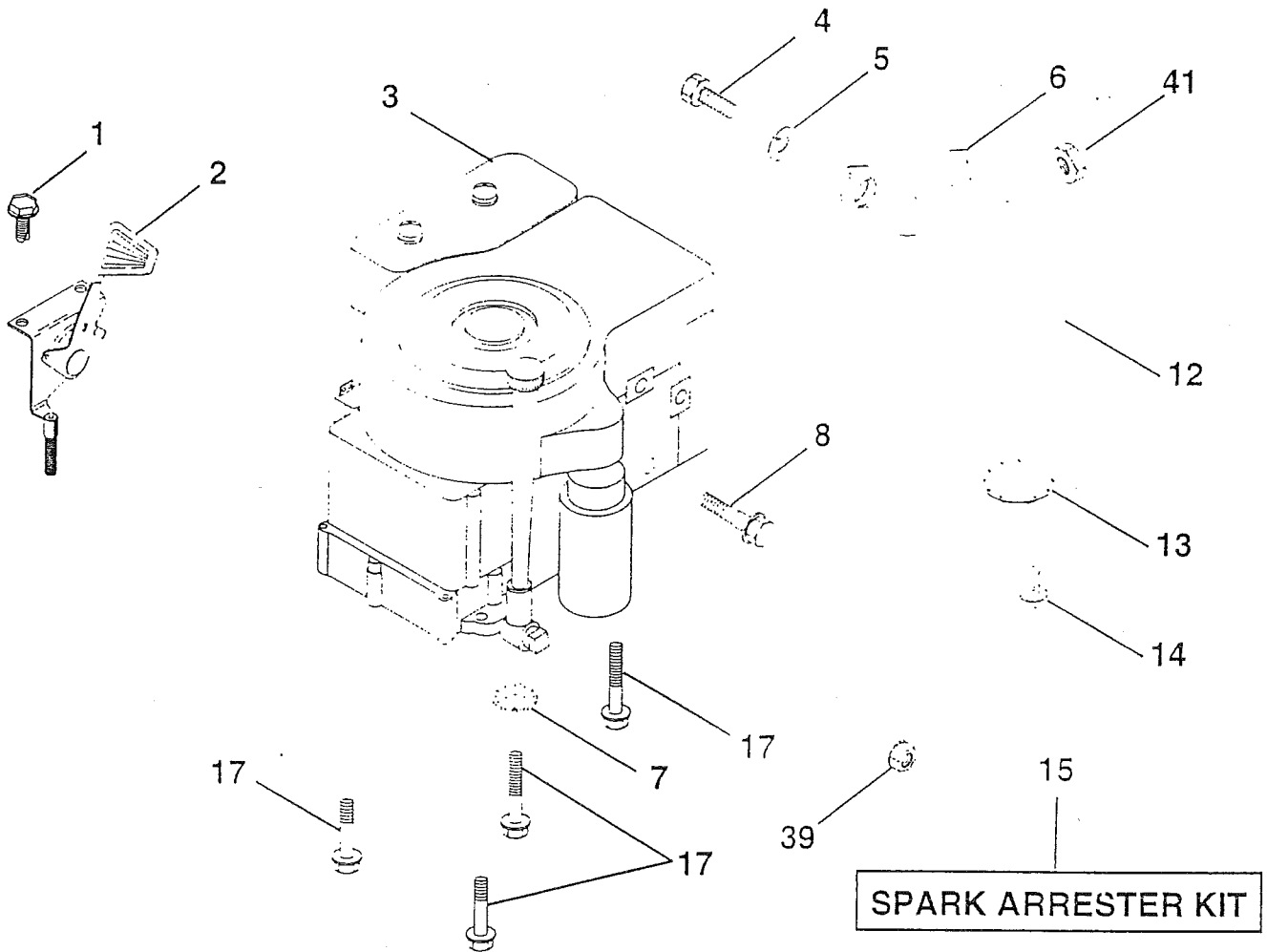


KEY NO.	PART NO.	DESCRIPTION	KEY NO.	PART NO.	DESCRIPTION
1	532071673	Cap, Plunger	16	819251816	Washer 25/32 x 1-1/8 x 16 Ga.
2	532123436	Rod, Parking Brake	17	812000034	Ring, Klip
3	532123437	Bracket, Parking Brake	18	532151332	Spring, Brake Rod
4	532124872	Cover, Pedal	19	873350600	Nut, Hex, Jam 3/8-16 UNC
5	532122504	Bracket, Clutch/Brake Pedal, L.H.	20	873800600	Nut, Lock, Hex W/Ins. 3/8-16 UNC
6	876020312	Pin, Cotter 3/32 x 3/4	21	532131460	Rod, Rear Brake
7	819131016	Washer 13/32 x 5/8 x 16 Ga.	22	532144585	Trunnion, Lift
8	817490508	Screw, Hex, Thd. Roll. 5/16-18 x 1/2	24	819132012	Washer 13/32 x 1-1/4 x 12 Ga.
9	876020412	Pin, Cotter 1/8 x 3/4	25	532124961	Spring, Retainer
10	819131316	Washer 13/32 x 13/16 x 16 Ga.	26	873930600	Nut, Centerlock 3/8-16 UNC
11	532123543	Rod, Brake Front	27	532127369	Link, Threaded
12	532139933	Assembly, Clutch/Brake Pedal	28	532140776	Assembly, Rear Mower Lift
13	532123394	Rod, Clutch	29	872110506	Bolt, Carriage 5/16-18 UNC x 3/4
14	532121978	Bracket, Lift, Shaft	30	<b>873516500</b>	Nut, Keps 5/16-16 UNC
15	532133332	Assembly, Brake, Pivot, Arm	31	532124660	Retainer, Spacer
			34	873680600	Nut, Crownlock 3/8-16 UNC

HARDWARE SHOWN LARGER FOR EASIER IDENTIFICATION

# REPAIR PARTS

TRACTOR - MODEL NO. JLR115T (JLR115T90A), PRODUCT NO. 954 20 00-01  
ENGINE

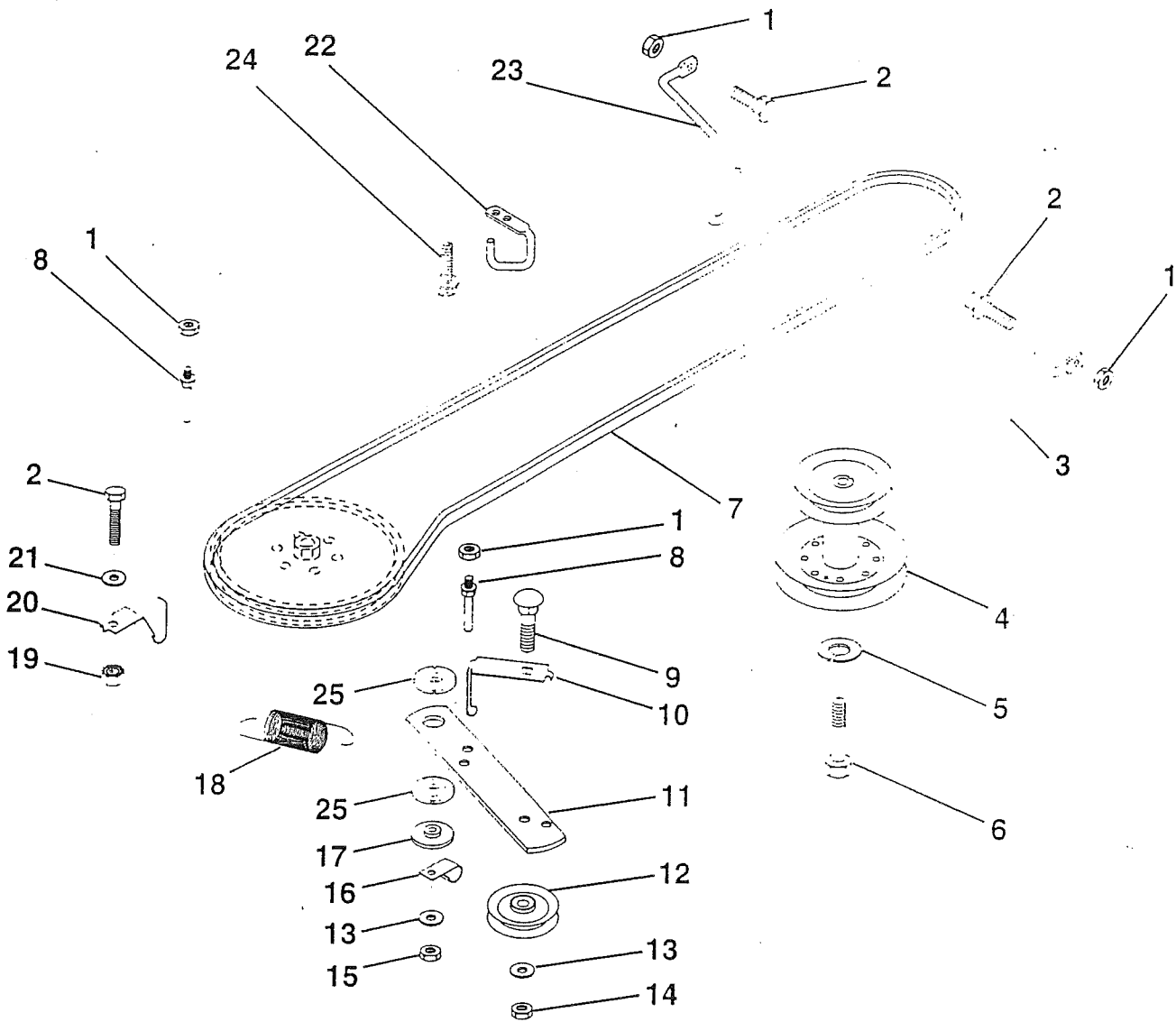


KEY NO.	PART NO.	DESCRIPTION	KEY NO.	PART NO.	DESCRIPTION
1	817060408	Screw, Hex Thd. Cut 1/4-20 x 1/2	12	532156448	Muffler
2	532132752	Control, Throttle	13	532101326	Deflector, Muffler
3	-----	Eng.ne. Model No. 206803A	14	<del>817030808</del>	Screw, Spider/oc
4	532123538	Bolt Hex Hd Phillips	15	532137180	Arrester, Spark (Optional equipment)
5	810040500	Washer, Lock Heavy Helical Spring 5/16	17	817490624	Screw, Hex Washer Head, Thdrol. 3/8-16 x 1-1/2
6	532272293	Gasket, Exhaust	39	532128861	Nut Flange 1/4-20
7	811050600	Washer Lock Ext. Tooth 3/8	41	873900500	Nut Lock Hex Flange 5/16-18
8	532121094	Bolt Shoulder 5/16			

HARDWARE SHOWN LARGER FOR EASIER IDENTIFICATION

# REPAIR PARTS

TRACTOR - MODEL NO. JLR115T (JLR115T90A), PRODUCT NO. 954 20 00-01  
GROUND DRIVE



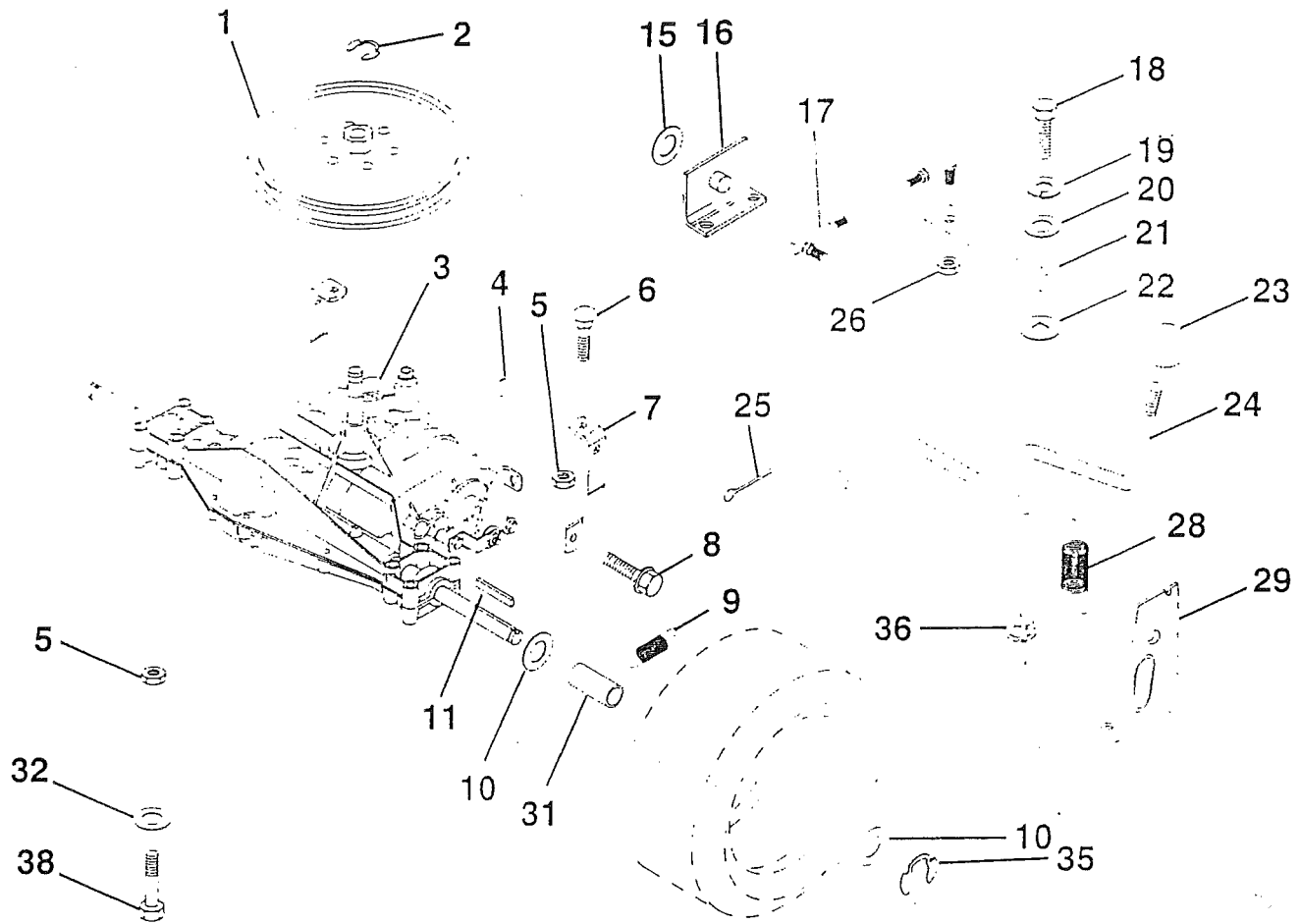
KEY NO.	PART NO.	DESCRIPTION
1	873680500	Nut, Crownlock 5/16-18
2	874760512	Bolt, Hex Hd 5/16-18 UNC x 3/4
3	532141342	Keeper, Mower Drive, R.H.
4	532138029	Pulley, Engine
5	810040700	Washer, Lock 7/16
6	871170744	Bolt Hex 7/16-20 Gr. 5
7	532126520	Traction, V-Belt Drive
8	532123405	Keeper, T/A Ground Drive Belt
9	872140612	Bolt, Carr. 3/8-16 UNC x 1-1/2
10	532123396	Keeper, Belt Ground Drive Idler
11	532150926	Arm, Ground Drive Clutch
12	532123674	Idler, Flat
13	819131316	Washer 13/32 x 13/16 x 16 Ga.

KEY NO.	PART NO.	DESCRIPTION
14	873930600	Nut, Centerlock 3/8-16 UNC
15	873680600	Nut, Crownlock 3/8-16
16	532126471	Clip, Insulated
17	532150932	Spacer, Retainer
18	532131459	Spring Extension
19	873510500	Nut, Keps 5/16-18 UNC
20	532139919	Keeper, T/A Ground Drive Belt
21	819111016	Washer 11/32 x 5/8 x 16 Ga.
22	532123404	Keeper, Frame Ground Drive Belt
23	532140916	Keeper, Mower Drive, L.H.
24	817720408	Screw, Thd. Cut 1/4-20 x 1/2
25	532150935	Bushing, Nylon

HARDWARE SHOWN LARGER FOR EASIER IDENTIFICATION

# REPAIR PARTS

TRACTOR - MODEL NO. JLR115T (JLR115T90A), PRODUCT NO. 954 20 00-01  
TRANSAXLE

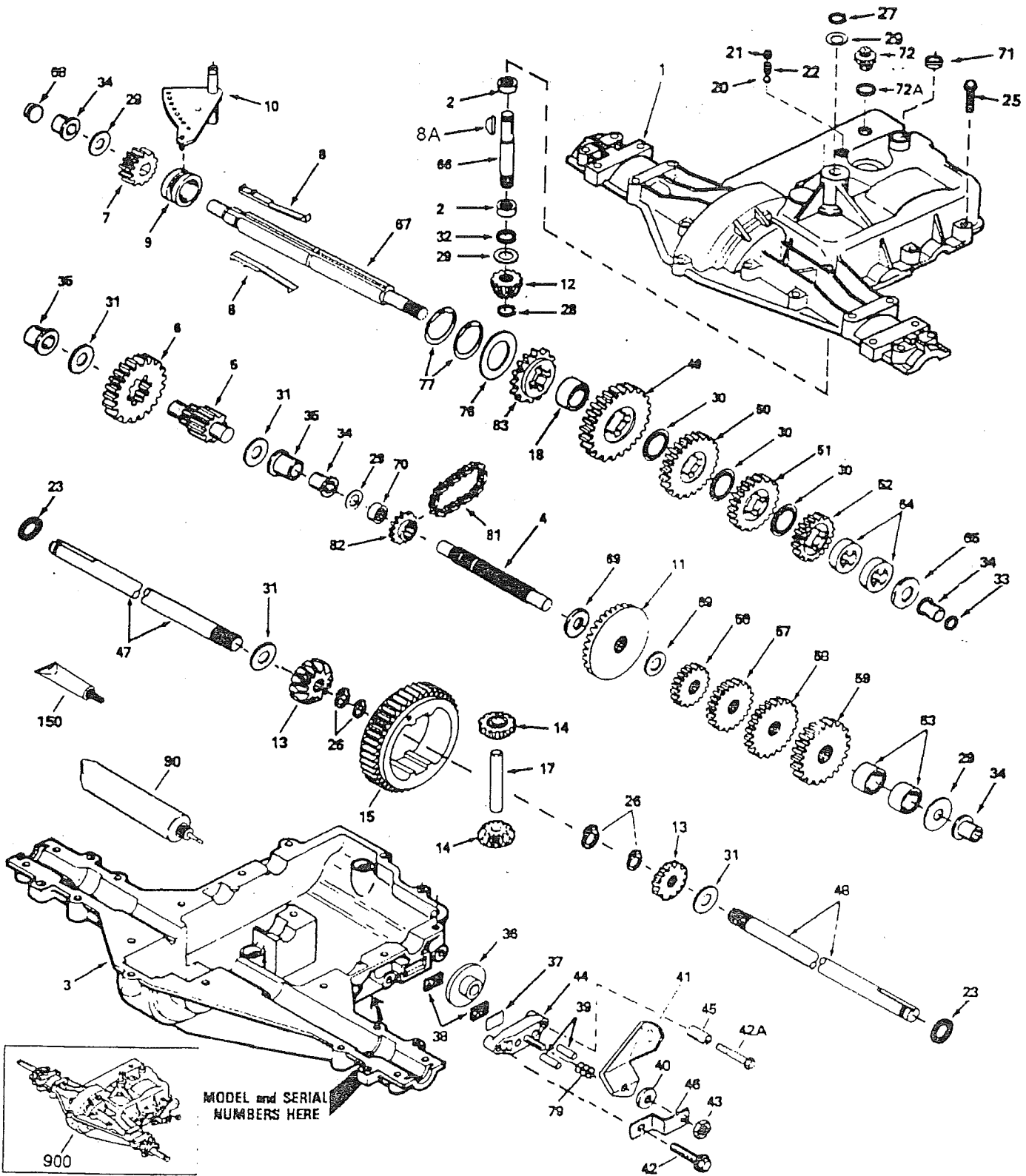


KEY NO.	PART NO.	DESCRIPTION	KEY NO.	PART NO.	DESCRIPTION
1	532123385	Pulley	18	874550412	Bolt 1/4-28 UNF Gr. 8 W/Patch
2	812000028	Ring, Retainer	19	810040400	Washer, Lock 1/4
3	-----	Transaxle, Peerless Model No. P390-008A	20	819091210	Washer 9/32 x 3/4 x 10 Ga.
4	532125096	Key, Woodruff #9	21	532126292	Arm, Shift
5	873680500	Nut, Crownlock 5/16-18	22	532105701	Washer, Shift Plate
6	872140506	Bolt, Carriage 5/16-18 UNC x 3/4	23	532106933	Knob, Duckhead
7	532123378	Strap, Torque	24	532126215	Rod Shift
8	817490512	Screw 5/16-18 x 3/4	25	876020416	Pin, Cotter 1.8 x 1
9	532146682	Spring, Brake	26	873810500	Locknut 5/16-24 UNF
10	532121749	Washer 25/32 x 1-1/4 x 16 Ga.	28	532126085	Extension, Spring
11	532123583	Key, Square	29	532128084	Support Handle Shift RH
15	819171616	Washer 17/32 x 1 x 16 Ga.	32	819111116	Washer 11/32 x 11/16 x 16
16	532124600	Support Handle Shift LH	31	532137057	Spacer Axle
17	532126293	Link, Shift	35	812000001	E-Ring
			36	817720408	Screw, Thdrol 5/16-18 x 1/2
			38	874490544	Bolt, Hex Hd 5/16-18 x 2-3/4

HARDWARE SHOWN LARGER FOR EASIER IDENTIFICATION

# REPAIR PARTS

TRACTOR - MODEL NO. JLR115T (JLR115T90A), PRODUCT NO. 954 20 00-01  
TRANSAXLE PEERLESS MODEL NO. P930-008A





# REPAIR PARTS

TRACTOR - MODEL NO. JLR115T (JLR115T90A), PRODUCT NO. 954 20 00-01

TRANSAXLE PEERLESS MODEL NO. P930-008A

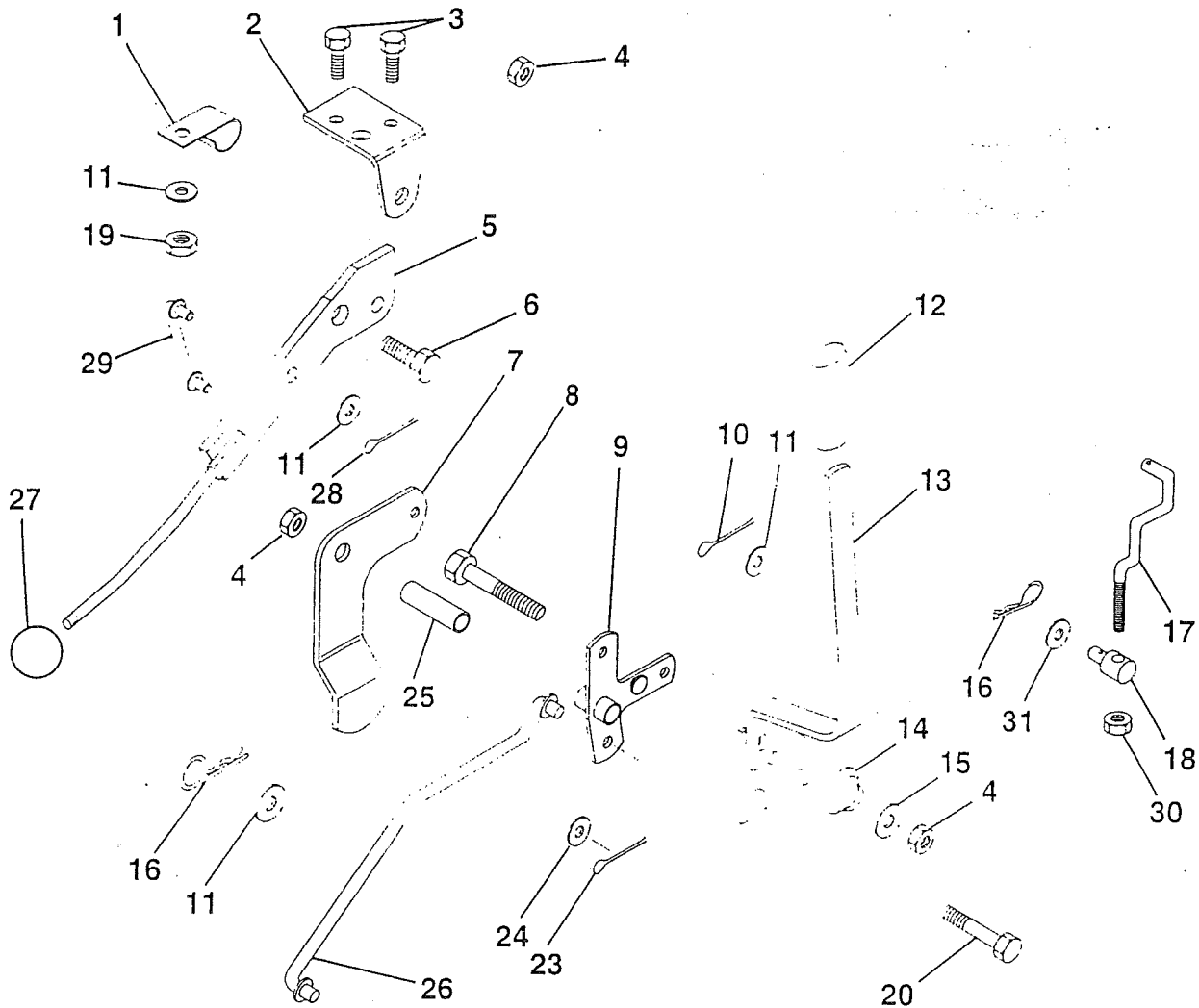
REF PART NO. NO.	DESCRIPTION	REF PART NO. NO.	DESCRIPTION
1 772108A	Cover, Transaxle	42 792073	Screw, Flanged Hex Head, Thread Forming 1/4-20 x 1-1/4
2 780086	Bearing, Needle	42A 792085A	Screw 1/4-20 x 2-1/4
3 770102A	Case, Transaxle	43 792075	Locknut 5/16-24
4 776260	Shaft, Counter	44 790025	Holder, Brake Pad
5 776219B	Shaft and Pinion Assembly, Output	45 786067	Spacer
6 778139	Gear, Output	46 786086	Bracket, Brake Lever
7 778136	Gear, Spur, 15 Teeth	47 774690	Axle 11-5/16" long
8 792136A	Key, Shift	48 774691	Axle 16-1/2" long
8A 792047	Key, Woodruff	49 778191	Gear, Spur, 37 Teeth (1*)
9 784352	Coilar, Shifter	50 778124A	Gear, Spur, 30 Teeth (2*)
10 784355	Rod and Fork Assembly, Shift	51 778123A	Gear, Spur, 25 Teeth (3*)
11 778229	Gear, Bevel, 42 Teeth	52 778273	Gear, Spur, 19 Teeth, Steel (4*)
12 778113A	Bevel Pinion, Input	56 778230	Gear, Spur, 12 Teeth (1*)
13 778221	Gear, Bevel	57 778126A	Gear, Spur, 20 Teeth (2*)
14 778068	Gear, Bevel Pinion	58 778127A	Gear, Spur, 25 Teeth (3*)
15 778260	Gear, Ring	59 778129A	Gear, Spur, 30 Teeth (4*)
17 786139	Pin, Drive	63 786071	Spacer
18 786102	Spacer, Neutral	64 786072	Spacer
20 792077	Ball, Steel 5/16" diameter	65 780109	Washer, Thrust
21 792078	Set Screw 3/8-16 x 3/8	66 776135	Shaft, Input
22 792079	Spring	67 776315A	Shaft, Brake, 4 Keyed
23 788061	Ring, Seal	68 786116A	Plug
25 792073	Screw, Flanged Hex Head, Thread Forming 1/4-20 x 1-1/4	69 780051	Washer, Thrust
26 792125	Ring, Retainer (4 Required, Package of 2)	70 786118	Spacer
27 792035	Ring, Retainer	71 788069	Seal, Square Cut
28 788040	Ring, Retainer	72 792165	Plug, Threaded 9/16-18
29 780072	Washer, Thrust	72A 788091	"O" Ring
30 780108	Washer, Thrust	76 780090	Washer, Thrust
31 780001	Washer	77 788078A	Ring, Retaining, inverted (Package of 2)
32 792001	"O" Ring	79 792144	Spring, Brake
33 788095	Seal, Square Cut	81 786081	Chain, Roller (Number 41 Chain, 24 Links)
34 780105A	Bushing, Flanged	82 786082	Sprocket, 9 Teeth (Reverse)
35 780118A	Bushing, Flanged	83 786123	Sprocket, 18 Teeth (Reverse)
36 790003	Disk, Brake	90 788067B	Grease, Bentonite, 32 Ounce Bottle
37 790007	Plate, Brake Pad	150 510334	Gasket Eliminator (Loctite #515)
38 799021	Pad, Brake	900 794534A	Replacement Transaxle
39 786026	Pin, Dowel		
40 792076A	Washer, Flat		
41 790079	Lever, Brake		

**NOTE:** All component dimensions given in U.S. inches  
1 inch = 25.4 mm

Parts must be ordered from Tecumseh Products Co.

# REPAIR PARTS

TRACTOR - MODEL NO. JLR115T (JLR115T90A), PRODUCT NO. 954 20 00-01  
MOWER LIFT LEVER



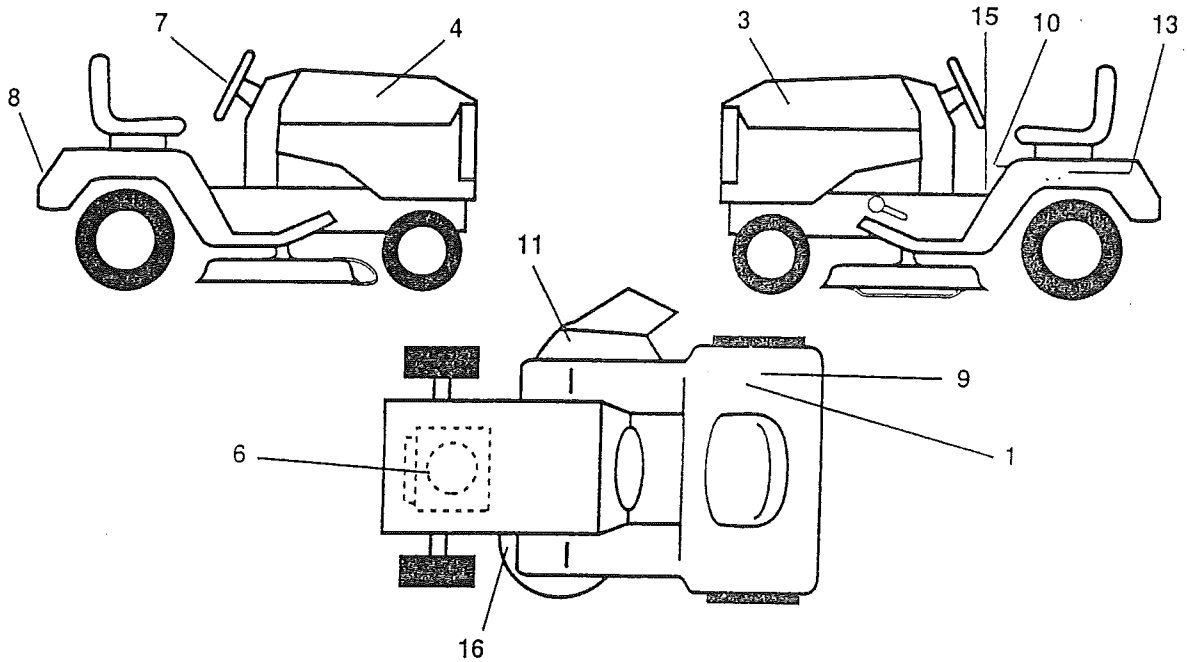
KEY NO.	PART NO.	DESCRIPTION
1	532126470	Clip, Insulated
2	532122018	Bracket, Mower Clutch
3	8711110408	Bolt, Fin. Hex
4	873680600	Nut, Crownlock 3/8-16
5	532145187	Assembly, Clutch Lever
6	532106451	Bolt, Shoulder
7	532135371	Assembly, Mower Clutch Arm
8	874760636	Bolt, Hex 3/8-16 UNC x 2-1/4
9	532121930	Assembly, Bellcrank Lift
10	876020412	Pin, Cotter 1/8 x 3/4
11	819131316	Washer 13/32 x 13/16 x 16 Ga.
12	532131861	Grip, Handle
13	532139352	Assembly, Lift Handle
14	532123496	Spring, Compression

KEY NO.	PART NO.	DESCRIPTION
15	819131212	Washer 13/32 x 3/4 x 12 Ga.
16	532124961	Retainer, Spring
17	532127359	Link, Front Lift
18	532142028	Trunnion, Threaded 3/8-16
19	873680400	Nut, Crownlock 1/4-20
20	874760644	Bolt, Fin. Hex 3/8-16 UNC x 2-3/4
23	876020416	Pin, Cotter 1/8 x 1
24	819171612	Washer 17/32 x 1 x 12 Ga.
25	532121933	Tube, Spacer
26	532141470	Rod, Mower Lift
27	532106932	Knob
28	876020312	Pin, Cotter 3/32 x 3/4
29	532131655	Link, Mower Clutch
30	873350600	Nut Hex Jam 3/8-16 x 1.30
31	819132012	Washer 13/32 x 1-1/4 x 12 Ga.

HARDWARE SHOWN LARGER FOR EASIER IDENTIFICATION

# REPAIR PARTS

TRACTOR - MODEL NO. JLR115T (JLR115T90A), PRODUCT NO. 954 20 00-01  
DECALS

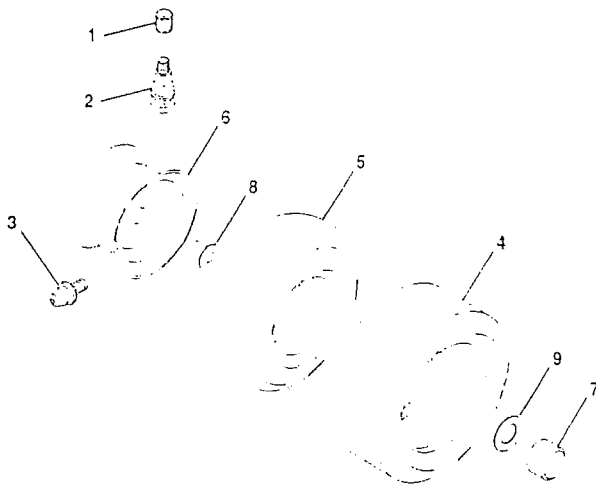


KEY NO.	PART NO.	DESCRIPTION
1	532145437	Decal, Europe, Stand. CE Tractor
3	532159165	Decal, Hood, L. H.
4	532159164	Decal, Hood, R. H.
6	532157223	Decal, Engine
7	532141174	Decal, Ins. Steering
8	532141761	Decal, Logo, Fender
9	532126187	Decal, Certification, (French/Dutch)
10	532145498	Decal, Read Owner's Manual
11	532145494	Decal, Cutfinger

KEY NO.	PART NO.	DESCRIPTION
13	532145005	Decal, Caution, Battery
15	532145545	Decal, Op. Instruction, Symbols
16	532136830	Decal, V-Beit Sch.
--	532138311	Decal, Height Adj.
--	532159262	Manual, Oper. (Euro)
--	532159263	Manual, Oper. (Scan)

Accessories (Not included with tractor)  
 -- C36 Bagger  
 -- MK360 Mulch Kit

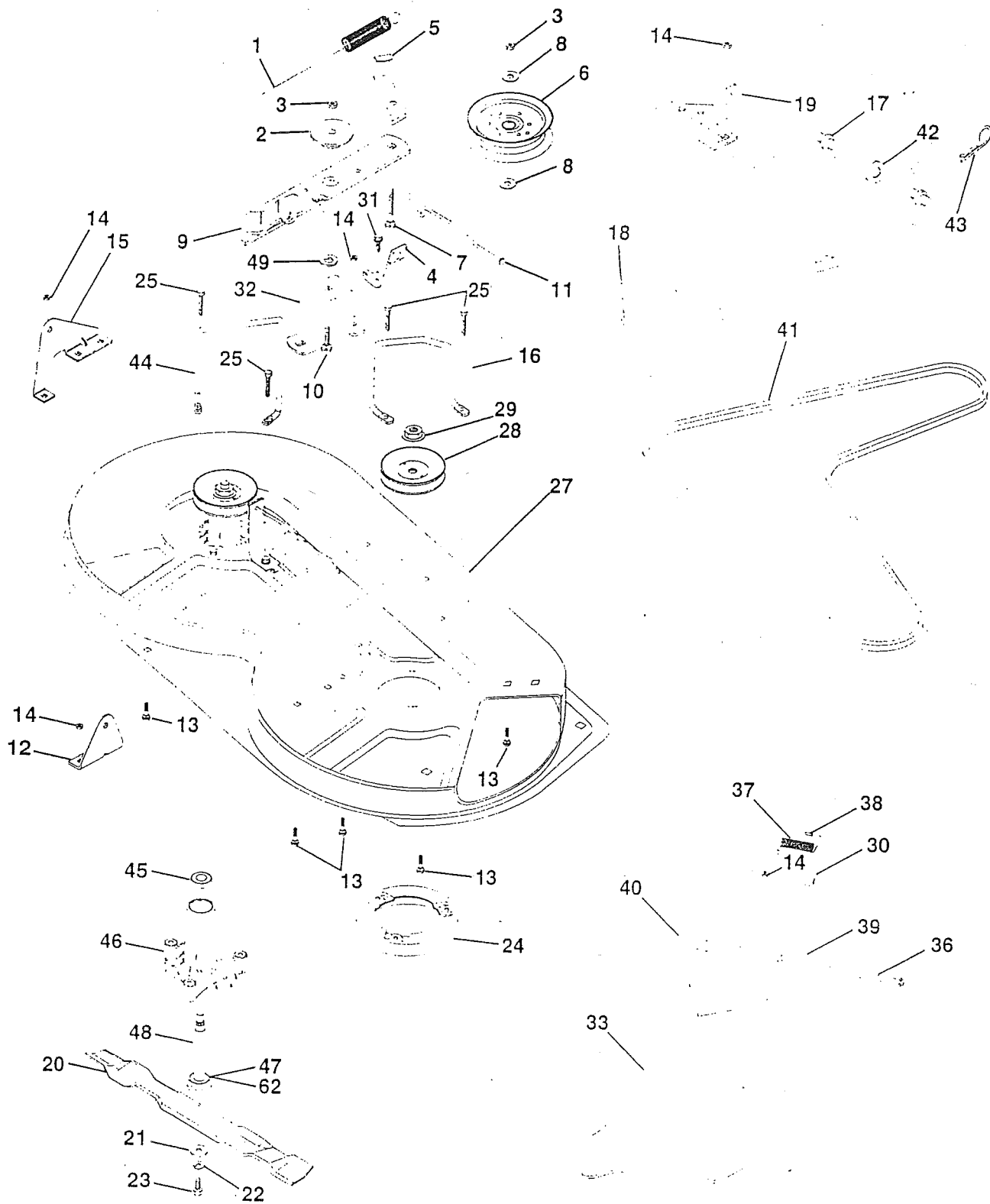
## WHEELS & TIRES



KEY NO.	PART NO.	DESCRIPTION
1	532059192	Cap, Valve
2	532065139	Stem, Valve
3	532124957	Fitting, Grease (Front Wheels Only)
4	532123410	Tire, Front
4	532106230	Tire, Rear
5	532059904	Tube, Front (Optional Service Items Only)
5	532008134	Tube, Rear (Optional Service Items Only)
6	532142039	Rim, Front
6	532141652	Rim, Rear
7	532104757	Cap Axle
8	532124959	Bearing Flange
9	532121748	Washer 25/32 x 1-5/8 x 16 Ga.
--	532144334	Sealant, Tire (10 oz. Tube)

# REPAIR PARTS

TRACTOR - MODEL NO. JLR115T (JLR115T90A), PRODUCT NO. 954 20 00-01  
MOWER DECK



# REPAIR PARTS

TRACTOR - MODEL NO. JLR1.15T (JLR115T90A), PRODUCT NO. 954 20 00-01  
MOWER DECK

KEY NO.	PART NO.	DESCRIPTION
1	532140064	Spring, Mower Clutch
2	532122052	Spacer, Retainer
3	873680600	Nut, Crownlock 3/8-16
4	532130840	Brake Asm.
5	532131251	Guide, Belt Idler
6	532121316	Pulley, Flat Idler
7	872110616	Bolt, Carr. 3/8-16 x 1-3/4 Gr. 5
8	819131410	Washer 13/21 x 7/8 x 10 Ga.
9	532127744	Arm Asm., Idler Mower
10	872140610	Bolt, Carriage 3/8-16 x 1-1.4
11	532130841	Rod, Brake
12	532127356	Bracket, Lift R. H. Rear
13	872140506	Bolt, Carriage 5/16-18 x 3.4
14	873680500	Nut, Crownlock 5/16-18
15	532127357	Bracket, Lift L. H. Rear
16	532153298	Keeper, R. H.
17	532128508	Link, Asm. Mower Stabilizer
18	532128511	Pin, Drive
19	532127380	Bracket, Asm. Front
20	532138496	Blade, High Lift
21	532140296	Washer, Hard
22	810030600	Washer, Lock 3/8
23	532850857	Bolt 3/8-24 x 1-1.4 Gr. 8
24	532140329	Stripper
25	532138776	Screw Thdrol Hex Hd
27	532156600	Deck Assembly
28	532153531	Pulley, Mandrel
29	532137266	Nut, Flangeicck 9/16
30	532136631	Bracket, Asm. Deflector
31	817490508	Screw, Hex Wsn. Thdrol. 5/16-18 x 1/2
32	532122051	Arm, Support Idler Mower
33	532131560	Deflector
36	532121980	Rod, Hinge
37	532123713	Spring, Torsion Deflector
38	532105304	Cap, Sleeve
39	819111016	Washer 11/32 x 5/8 x 16 Ga.
40	532110452	Pushnut
41	532131264	V-Belt
42	819171616	Washer 11/32 x 5/8 16 Ga.
43	532124660	Retainer, Spring
44	532140608	Keeper, L. H.
45	532110485	Bearing
46	532128774	Housing Mandrel Vented
47	532129895	Bearing
48	532137645	Shaft, Mandrel (Includes Key # 47)
49	532133943	Washer Hardened
62	532153390	Washer, Felt
--	532130794	Mandrel Asm. (Includes Key No.'s 22-23, 26, 29 and 45-48)
--	532156866	Deck, Mower Complete

HARDWARE SHOWN LARGER FOR EASIER IDENTIFICATION