

IBEA

Serie: dal n. 891001

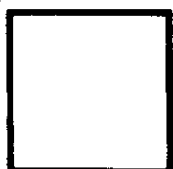
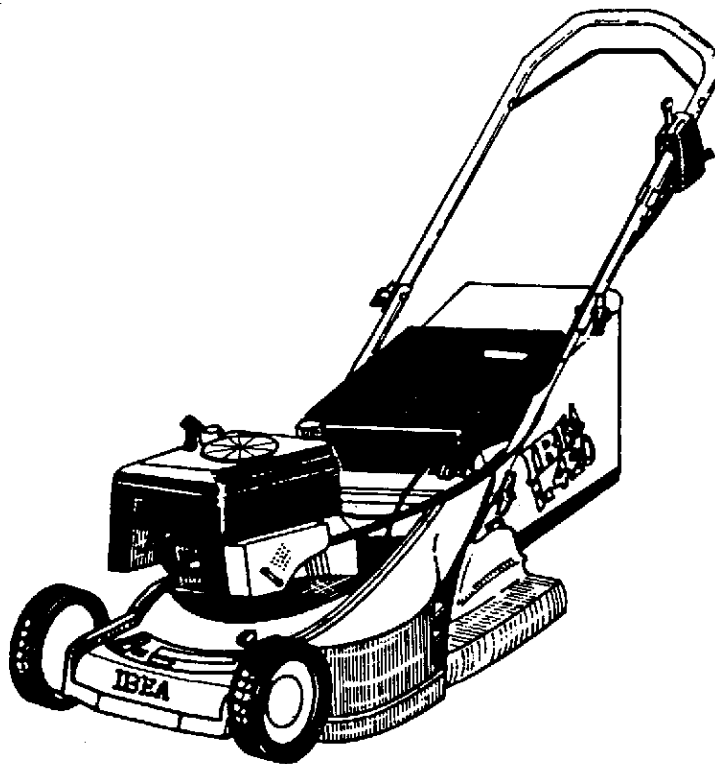
Stampato n. P5090025

LISTA RICAMBI

SPARE PART LIST

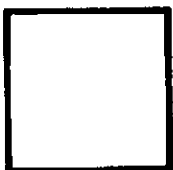
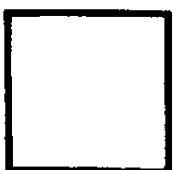
ERSATZTEILLISTE

LISTE DES PIECES DE RECHANGE



TOSAERBA
SERIE 420 *ruzzo*

mod. **ENDURO**
mod. **COUNTRY**



Ref. N°	Part. N°	Qty.	Descrizione	Description	Description	Beschreibung
1	P5140516	1	DECALCO	LABEL	MARQUAGE	AUFKLEBER
2	P5140515	1	DECALCO	LABEL	MARQUAGE	AUFKLEBER
3	P5140438	1	DECALCO	LABEL	MARQUAGE	AUFKLEBER
4	P5140458	1	DECALCO	LABEL	MARQUAGE	AUFKLEBER
5	P5140503	1	DECALCO	LABEL	MARQUAGE	AUFKLEBER
6	P5140109	1	DECALCO	LABEL	MARQUAGE	AUFKLEBER
7	P5140110	1	DECALCO	LABEL	MARQUAGE	AUFKLEBER
*	P5090018	1	MANUALE ISTRUZIONI	OPERATOR MANUAL	MODE D'EMPLOI	BEDIENUNGSANLEITUNG
*	P5110005	1	CHIAVE CANDELA B&S	KEY B&S	CLEF B&S	SCHLÜSSEL B&S
*	P5110008	1	CHIAVE CANDELA TECNA	KEY TECNA	CLEF TECNA	SCHLÜSSEL TECNA



2



3



4

	<p>WARNING DANGER!</p> <p>Blade rotates when engine is running. Only use the mower with grass catcher in place or with safety chute door closed. Disconnect high tension wire from spark plug before performing any repairs or maintenance to the machine.</p>	<p>ATTENZIONE PERICOLO!</p> <p>La lama gira quando il motore è in moto. Usate il tosaerba soltanto con il sacco di raccolta montato oppure con il portello di sicurezza chiuso. Prima di ogni riparazione o manutenzione staccate il cavo di accensione della candela.</p>	<p>VORSICHT, GEFAHR!</p> <p>Rotierende Messer bei laufendem Motor. Benutzen Sie den Mäher nur mit montiertem Grassammelbehälter oder geschlossener Schutzklappe. Vor Reparatur oder Servicearbeiten am Mäher unbedingt Zündkabel von Zündkerze entfernen.</p>	<p>ATTENTION DANGER!</p> <p>Couteaux en rotation lorsque le moteur marche. Utilisez le tondeuse ou avec le collecteur d'herbe monté ou avec le clapet de protection fermé. Avant de faire une réparation ou des travaux de service à la tondeuse, il faut absolument enlever le câble d'allumage de la bougie.</p>
	5			



6

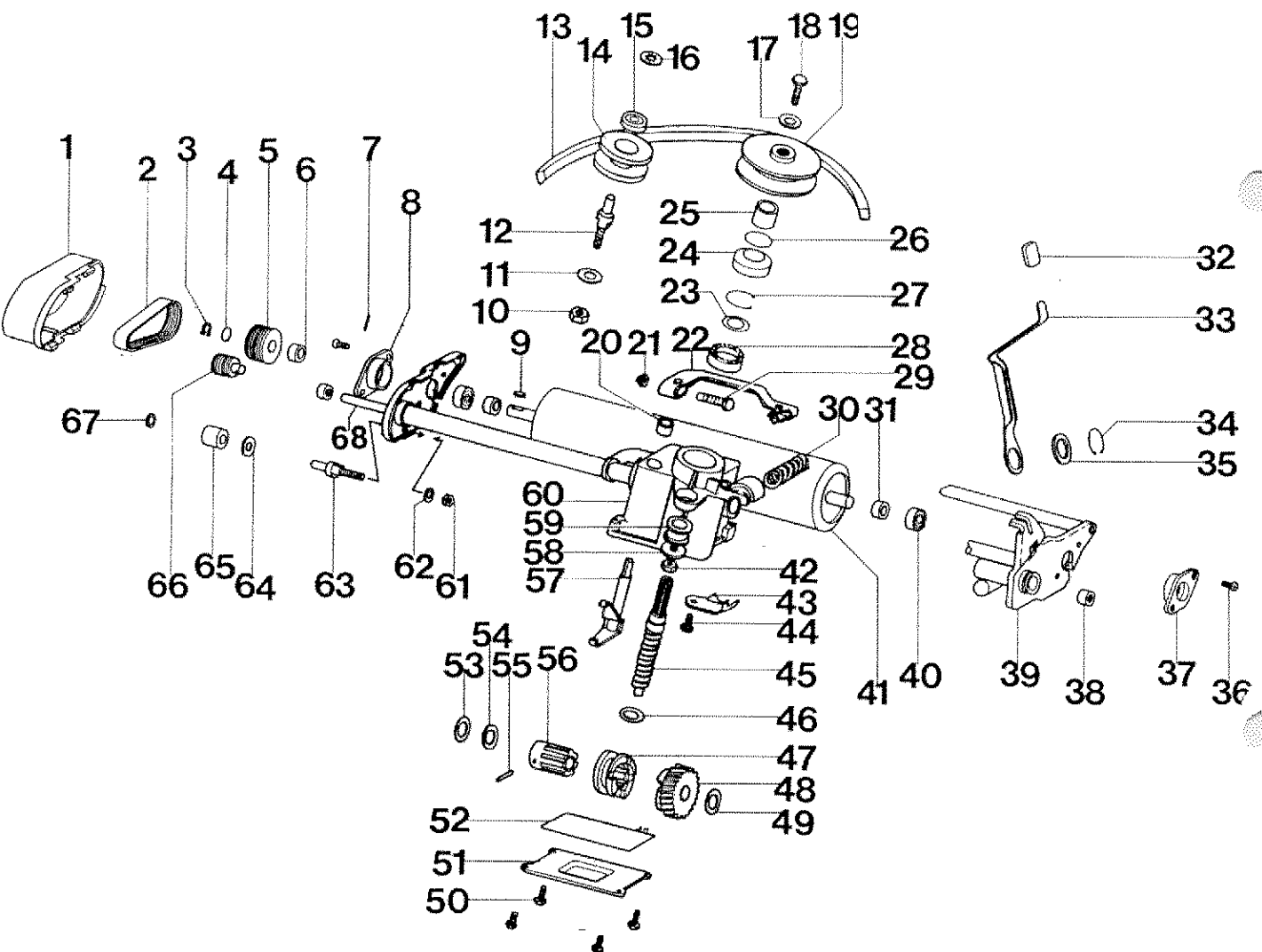


7

2001

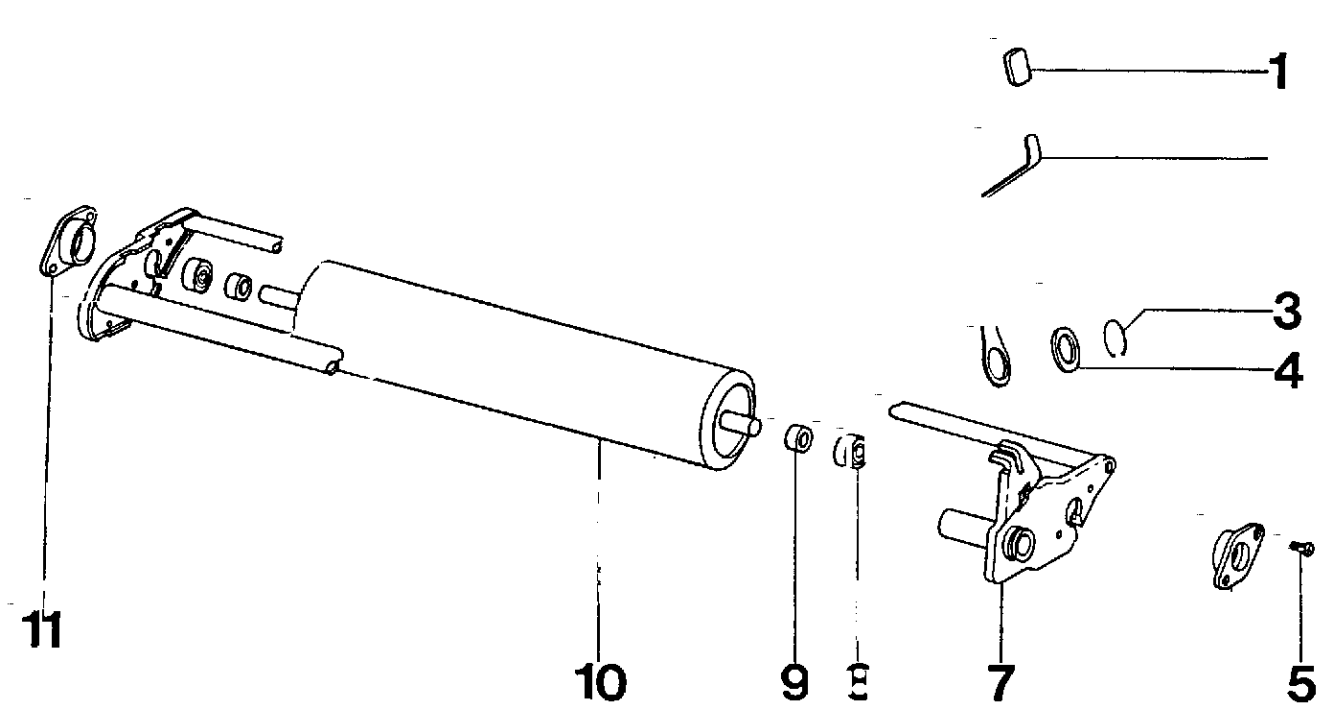
Ref. N°	Part. N°	Qty.	Descrizione	Description	Description	Beschreibung
		1	TELAIO	BAG FRAME	MONTURE	GESTELL
		1	SACCO	BAG	SAC RAMASSE-GAZON	GRASFANGSACK
		1	MOTORE	MOTEUR	MOTEUR	MOTOR
		3	DADO	HEX NUT	ECROU	MUTTER
		1	PROTEZIONE MARMITTE BVS 143 - BVS 153 ES	MUFFLER SHIELD BVS 143 - BVS 153 ES	PROTECTION POUR BOÎTE D'ÉCHAPPEMENT BVS 143 - BVS 153 ES	SCHUTZ BVS 143 - BVS 153 ES
5	P5120027	1	PROTEZIONE MARMITTE QUANTUM	MUFFLER SHIELD QUANTUM	PROTECTION POUR BOÎTE D'ÉCHAPPEMENT QUANTUM	SCHUTZ QUANTUM
6		—	VEDI TAV. 4-5-6	SEE FIG. 4-5-6	VOIR TABLE NR. 4-5-6	SIEHE BILD NR. 4-5-6
7	1010026A1	2	VITE	SCREW	VIS	SCHRAUBE
8	2020050A1	2	GALLETTO	KNOB	POIGNÉE	MUTTER
10	P02070266	2	STEGOLA INFERIORE	LOWER HANDLE BAR	GRUIDE INF.	LENKER UNTERTEIL
11	P2020117	2	GALLETTO	KNOB	POIGNÉE	MUTTER
12	1020014A1	2	RONDELLA	WASHER	RONDELLE	SCHRAUBE
13	P2040011	MT 0,025	GOMMINO	RUBBER TUBE	TUBE DE PROTECTION	SCHUTZHÜLLE
14	P3020011	1	MOLLA	SPRINE	RESSORT	FEDER
15	P01027066	1	ASTINA	SHAFT	ARBRE	ACHSE
16	P1060004	2	STARLOCK	STARLOCK	STARLOCK	SICHERUNGSSCHEIBE
17	P2020109	1	PORTELLO	SHIELD	PROTECTION	KLAPPE
18	P2020114	1	CARTER SX.	COVER LE.	COUVERCLE GA.	DECKEL LI.
19	P1010108	6	VITE	SCREW	VIS	SCHRAUBE
20	P2020089	1	COPRICINGHIA	BELTGUARD	PROTECTION	RIEMENABDECKUNG
21	P1010061	2	VITE	SCREW	VIS	SCHRAUBE
22	P01032156	1	PIASTRA	PLATE	SEMELLE	VERSTÄRKUNG
23	P1020064	4	RIVETTO	RIVET	RIVET	FLACHKOPFNIET
24	P01032056	1	PIASTRA	PLATE	SEMELLE	VERSTÄRKUNG
25	P3040087	2	BUSSOLA	BUSHING	DOUILLE	BÜCHSE
26	P2020077	1	POMELLO	KNOB	POIGNÉE	ABDECKUNG
27	P00046066	1	LEVA	LEVER	LEVIER	HEBEL
28	P2020062	2	COPRIMOZZO	OUTER WHEEL COVER	COUVERCLE	RADDECKEL
29	1010018A1	2	VITE	SCREW	VIS	SCHRAUBE
30	1020007A1	2	RONDELLA	WASHER	RONDELLE	SCHRAUBE
31	P2020078	2	COPERTONE	TYRE	PNEU	SCHIBE
32	P2020079	2	CERCHIO	RIM	JANTE	REIFEN
33	P3030013	4	CUSCINETTI	BEARING	PALIER	FELGE
34	P2020071	2	COPRIRUOTA	WHEEL COVER	PROTECTION	LAGER
35	P2020088	2	DISTANZIALE	SPACER	DOUILLE	ABDECKUNG
36	P1020050	2	RONDELLA ELASTICA	SPRING WASHER	RONDELLE ÉLASTIQUE	DISTANZBÜCHSE
37	P1010088	1	VITE	SCREW	VIS	FEDERSCHIBE
38	1020015A1	1	RONDELLA	WASHER	RONDELLE	SCHRAUBE
39	P1020062	1	RONDELLA	WASHER	RONDELLE	SCHIBE
40	P4050020	1	LAMA	BLADE	COUTEAU	MESSER
41	P3040101	1	BUSSOLA LAMA Ø 25	BLADE BUSHING	DOUILLEDE COUTEAU	MESSERBÜCHSE
41	P3040102	1	BUSSOLA LAMA Ø 22,2	BLADE BUSHING	DOUILLEDE COUTEAU	MESSERBÜCHSE
42	P3040099	1	DISTANZIALE	SPACER	DOUILLE	DISTANZBÜCHSE
43	P1090003	1	CHIAVETTA QUANTUM	KEY QUANTUM	CLAVETTE QUANTUM	SCHLÜSSEL QUANTUM
43	1090001A1	1	CHIAVETTA BVS 143-153	KEY BVS 143-153	CLAVETTE BVS 143-153	SCHLÜSSEL BVS 143-153
44	P01030358	1	ASSALE ANTER	FRONT AXLE	ARBRE AVANT	ACHSE VORN
45	P3040086	2	PERNO	BOLT	BOULON	BOLZEN
46	P1010093	3	VITE×BVS	SCREW×BVS	VIS×BVS	SCHRAUBE×BVS
46	P1010094	2	VITE×QUANTUM	SCREW×QUANTUM	VIS×QUANTUM	SCHRAUBE×QUANTUM
47	P3040085	3	VITE×QUANTUM	SCREW×QUANTUM	VIS×QUANTUM	SCHRAUBE×QUANTUM
48	1020009A1	2	BUSSOLA	BUSHING	DOUILLE	BÜCHSE
49	P1050011	2	RONDELLA	WASHER	RONDELLE	SCHIBE
50	1020009A1	2	DADO	HEX NUT	ECROU	MUTTER
51	P2020091	3	RONDELLA	WASHER	RONDELLE	SCHIBE
52	P02005256	1	BUSSOLA	BUSHING	DOUILLE	BÜCHSE
53	P00015181	—	SCOCCA	DECK	CHÂSSIS	GEHÄUSE
54	P2020113	1	RUOTA COMPLETA	WHEEL ASSY	ROVE COMPL.	RAD. COMPL.
*	P00010066	1	CARTER DX. GESTELLO COMPLETO	COVER RI. GRASSBAG ASSY	COUVERCLE DT. SAC COMPL.	DECKEL RE. SACK KOMPL.

Vista generale ENDURO-COUNTRY
Complete machine ENDURO-COUNTRY
Vue d'ensemble ENDURO-COUNTRY
Gesamtansicht ENDURO-COUNTRY



Ref. N°	Part. N°	Qty.	Descrizione	Description	Description	Beschreibung
1	P2020112	1	CARTER CINGHIA	HOUSING	ENVELOPPE	ADBECKUNG
2	P3010017	1	CINGHIA	BELT	COURROIE	KEILRIEMER
3	1070001A1	1	SEEGER	CIRCLIP	ANNEAU SEEGER	SEEGERRING
4	1020020A1	1	SPESSORE	SHIM	RONDELLE	SCHEIBE
5	P3040108	1	PULEGGIA	PULLEY	POULIE	RIEMENSCHLEIBE
6	P3040111	1	DISTANZIALE	SPACER	RONDELLE	DISTANZRING
7	P1080007	1	SPINA ELASTICA	PIN	COUPILLE	STIFT
8	P2020110	1	SUPPORTO DX.	BUSHING RH.	SUPPORTO DR.	BÜCHSE RE.
9	P1090004	1	CHIAVETTA	ADJUSTING SPRING	CLAVETTE	PABFEDES
10	P1050011	1	DADO	NUT	ECROU	MUTTER
11	1020009A1	1	RONDELLA	WASHER	RONDELLE	SCHEIBE
12	P3040094	1	PERNO TENDICINGHIA	BOLT	BOULON	BOLZEN
13	P3010013	1	CINGHIA	BELZ	COURROIE	KEILRIEMEN
14	P3040063	1	TENDICINGHIA	BELT TENSIONES	TENDEUR COURROIE	KEILRIEMEN SPANNER
15	P3030014	1	CUSCINETTO	BEARING	PALIER	LAGER
16	P1060006	1	STARLOCK	STARLOCK	STARLOCK	STARLOCK
17	1020007A1	1	RONDELLA	WASHER	RONDELLE	SHEIBE
18	1010018A1	1	VITE	SCREW	VIS	SCHRAUBE
19	P3040048	1	PULEGGIA	PULLEY	POULIE	RIEMENSCHLEIBE
20	P3170012	1	PARAOLIO	SEAL	JOINT D'ARBRE	DICHTRING
21	1050003A1	1	DADO	NUT	ECROU	MUTTER
22	P4070011	1	LEVA	LEVER	LEVIER	HEBEL
23	P1020051	1	SPESSORE	SHIM	RONDELLE	SCHEIBE
24	P3170010	1	PARAOLIO	SEAL	JOINT D'ARBRE	DICHTRING
25	P3040049	1	DISTANZIALE	SPACER	RONDELLE	ABSTANDSRING
26	P3170013	1	OR	SEAL	JOINT	DICHTRING
27	P1070004	1	SEEGER	CIRCLIP	SEEGER	SEEGERRING
28	P3030010	1	CUSCINETTO	BEARING	POLIER	LAGER
29	P1010075	1	VITE	SCREW	VIS	SCHRAUBE
30	P3020010	1	MOLLA	SPRING	RESSORT	FEDER
31	P3040105	2	DISTANZIALE	SPACER	RONDELLE	ABSTANDSRING
32	P2020077	1	POMELLO LEVA	GUARD SOCKET	POIGNÉE	ABDECKUNG
33	P00046166	1	LEVA	LEVER	LEVIER	HEBEL
34	P1070008	1	SEEGER	CIRCLIP	SEEGER	SEEGERRING
35	P1020058	1	DISTANZIALE	SPACER	RONDELLE	SCHEIBE
36	P1010070	4	VITE	SCREW	VIS	SCHRAUBE
37	P2020111	1	SUPPORTO SX.	BUSHING	DOUILLE	BÜCHSE
38	P3030016	1	CUSCINETTO	BEARING	PALIER	LAGER
39	P01028060	1	CASTELLO RULLO	SUPPORT	SUPPORT	HALTER
40	P3030015	2	CUSCINETTO	BEARING	PALIER	LAGER
41	P01016060	1	RULLO	ROLLER	GALLET	ROLLE
42	P1010104	1	VITE	SCREW	VIS	SCHRAUBE
43	P4030010	1	COPERCHIO MOLLA	COVER	PLAQUE	BLECH
44	P1010076	1	VITE	SCREW	VIS	SCHRAUBE
45	P3040042	1	VITE SENZA FINE	WORMGEAR	VIS SANS FIN	SCHNECKENWELLE
46	P1020053	1	SPESSORE	WASHER	RONDELLE	RING
47	P00038099	1	INNESTO	SELECTOR COLLAR	MANCHON	NUGGE
48	P00038199	1	CORONA	WORM WHELL	ROUE	ZAHNRAD
49	1020020A1	1	SPESSORE	SHIM	RONDELLE	ABSTANDSRING
50	P1010076	4	VITE	SCREW	VIS	SCHRAUBE
51	P4110001	1	COPERCHIO	COVER	COUVERCLE	ABDECKUNG
52	P3170014	1	OR	O-RING	JOINT	DICHTRING
53	1020020A1	1	SPESSORE	WASHER	RONDELLE	RING
54	P1020051	1	SPESSORE	WASHER	RONDELLE	RING
55	P1080007	1	SPINA ELASTICA	PIN	COUPILLE	STIFT
56	P3050030	1	BUSSOLA SCANALATA	BUSHING	DOUILLE	KEILHÜLSE
57	P3040041	1	FORCELLA INNESTO	FORK	FOURCHE	GABEL
58	P1020054	1	RONDELLA	WASHER	RONDELLE	SCHEIBE
59	P2040010	1	GOMMINO	SHOCK ASSORBER	SILENT BLOCK	SILENT BLOCK
60	P00039099	1	SCATOLA	HOUSING	CAISSE	GEHÄUSE
61	1050003A1	1	DADO	NUT	ECROU	MUTTER
62	1020007A1	1	RONDELLA	WASHER	RONDELLE	SCHEIBE
63	P3040109	1	PERNO TENDICINGHIA INF.	BOLT	BOULON	STIFT
64	1020020A1	1	SPESSORE	SHIM WASHER	RONDELLE	SCHEIBE
65	P3040110	1	TENDICINGHIA	SELT TENSIONER	TENDEUR COURROIE	RIEMEN SPANNER
66	P3040107	1	PULEGGIA	PULLEY	POULIE	RIEMENSCHLEIBE
67	P1060007	1	STARLOCK	STARLOCK	STARLOCK	STARLOCK
68	P3040106	1	ALBERO	SHAFT	ARBRE	ACHSE

Ref. N°	Part. N°	Qty.	Descrizione	Description	Description	Beschreibung
1	P2020077	1	POMELLO LEVA	GUARD SOCKET	POIGNÉE	ABDECKUNG
2	P00046166	1	LEVA	LEVER	LEVIER	HABEL
3	P1070008	1	SEEGER	CIRCLIP	ANNEAU SEEGER	SEEGERRING
4	P1020058	1	DISTANZIALE	SPACER	RONDELLE	WELLEN DICHTRING
5	P1010070	4	VITE	SCREW	VIS	SCHRAUBE
6	P2020111	1	SUPPORTO SX.	BUSHING	DOUILLE	BÜCHSE
7	P01028059	1	CASTELLO RULLO	SUPPORT	SUPPORT	HALTER
8	P3030015	2	CUSCINETTO	BEARING	POLIER	LAGER
9	P3040105	2	DISTANZIALE	SPACER	RONDELLE	DISTANZRING
10	P01016059	1	RULLO	ROLLES	GALET	ROLLE
11	P2020110	1	SUPPORTO	BUSHING	DOUILLE	BÜCHSE



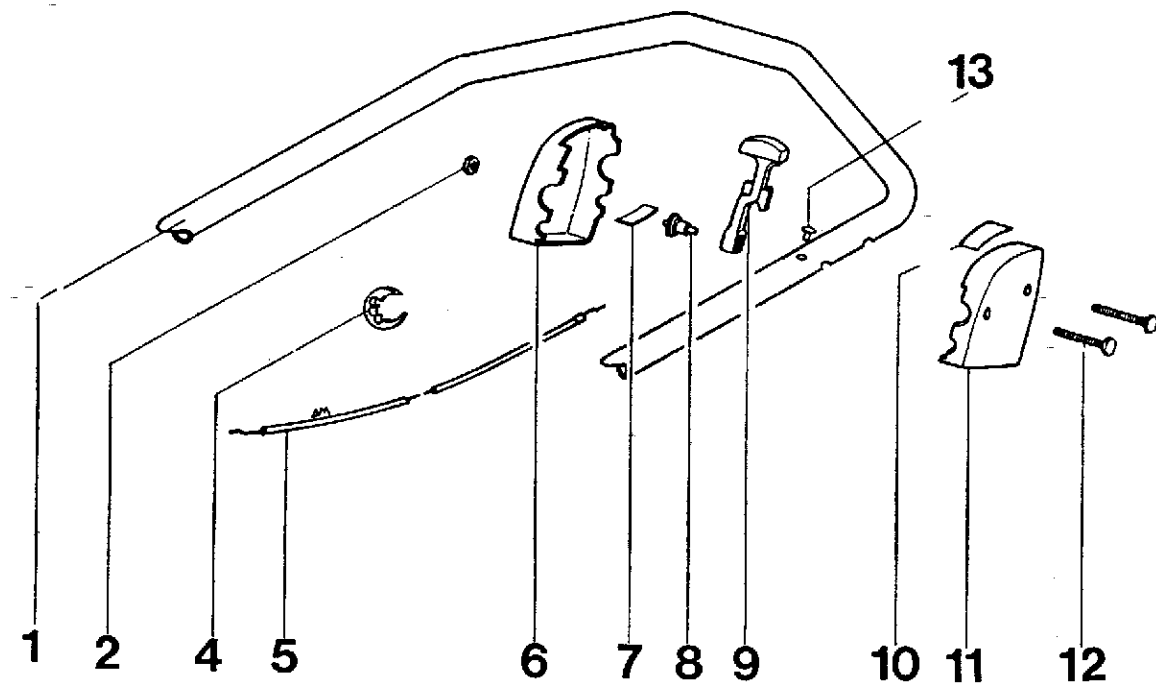
Vista assale posteriore ENDURO

Rear axle ENDURO

Essieu arrière ENDURO

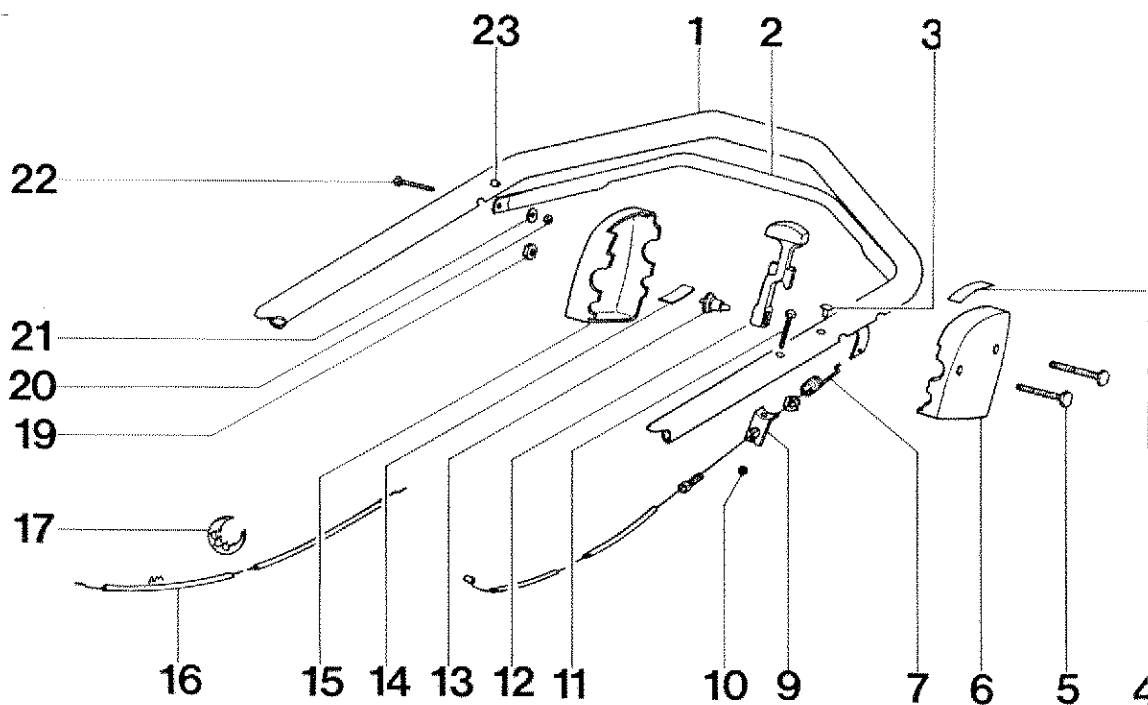
Hinterachse ENDURO

Ref. N°	Part. N°	Qty.	Descrizione	Description	Description	Beschreibung
1	P02070161	1	STEGOLE SUP.	LOWER HANDLE BAR	GRUIDE	LENKER UNTERTEIL
2	P1050007	2	DADO M6	HEX NUT	ECROU	MUTTER
4	P2020080	1	FERMO CAVO	CLIP	CLIP	HALTER
5	P5020028	1	CAVO ACC. x4221	CABLE x4221	CABLE x4221	KABEL x4221
5	P5020027	1	CAVO ACC. x4223	CABLE x4223	CABLE x4223	KABEL x4223
6	P2020106	1	SEMISCATOLA DX.	SHELL	BOÎTE	SCHALE
7	P4010059	1	MOLLA	SPRING	RESSORT	FEDER
8	P2020108	1	PERNO	BOLT	BOULON	BOLZEN
9	P00065099	1	LEVA	LEVER	LEVIER	HEBEL
10	P5140516	1	DECALCO	STICKER	ETIQUETTE	AUFKLEBER
10	P5140515	1	DECALCO	STICKER	ETIQUETTE	AUFKLEBER
11	P2020107	1	SEMISCATOLA SX.	SHELL	BOÎTE	SCHALE
12	P1010102	2	VITE 6x35	SCREW 6x35	VIS 6x35	SCHRAUBE 6x35
13	5060001A1	1	TAPPINO	TAP	BOUCHON	STOPFEN
*	P00035099	—	SCATOLA ACC. COMPLETA	ACC. ASSY	ACCELERATEUR COMPL.	GASHEBEL KOMPL.



Vista stegola superiore e comandi ENDURO
 Upper handle and controls ENDURO
 Mancheron partie supérieur et éléments de commande ENDURO
 Lenkeroberteil und Bedienungselemente ENDURO

Ref. N°	Part. N°	Qty.	Descrizione	Description	Description	Beschreibung
1	P02070161	1	STEGOLA SUP.	UPPER HANDLE BAR	GUIDON	LENKER OBERTEIL
2	P02042081	1	MANIGLIA	LEVER	LEVIER	HEBEL
3	S060001A1	1	TAPPINO	TAP	BOUCHON	STOPFEN
4	P5140516	1	DECALCO	STICKER	ETIQUETTE	AUFKLEBER
4	P5140515	1	DECALCO	STICKER	ETIQUETTE	AUFKLEBER
5	P1010102	2	VITE	SCREW	VIS	SCHRAUBE
6	P2020107	1	SEMISCATOLA SX.	SHELL	BOÎTE	SCHALE
7	P5010014	1	CAVO TRAZIONE	TRACTION CABLE	CABLE TRACTION	KABELFAHRANTRIEB
9	P4010060	1	PIASTRINA	PLATE	PLAQUE	BLECH
10	1050003A1	1	DADO	NUT	ECROU	MUTTER
11	P1010078	1	VITE	SCREW	VIS	SCHRAUBE
12	P00065099	1	LEVA	LEVER	LEVIER	HEBEL
13	P2020108	1	PERNO	BOLT	BOULON	BOLZEN
14	P4010059	1	MOLLA	SPRING	RESSORT	FEDER
15	P2020106	1	SEMISCATOLA DX	SHELL	BOÎTE	SCHALE
16	P5020028	1	CAVO ACC. 4227	CABEL 4227	CABLE 4227	KABEL 4227
17	P2020080	2	FERMO CAVO	CLIP	CLIP	HALTER
19	P4050007	2	DADO	NUT	ECROU	MUTTER
20	1050002A1	2	DADO	NUT	ECROU	MUTTER
21	P1020055	2	RONDELLA	WASHER	RONDELLE	SCHEIBE
22	1010002A1	2	VITE	SCREW	VIS	SCHRAUBE
23	P2020076	2	DISTANZIALE	SPACER	RONDELLE	DISTANZRING
*	P00035099	—	SCATOLA ACC. COMPLETA	ACC. ASSY	ACCELERATEUR COMPL.	GASHEBEL KOMPL.



Tav. 5

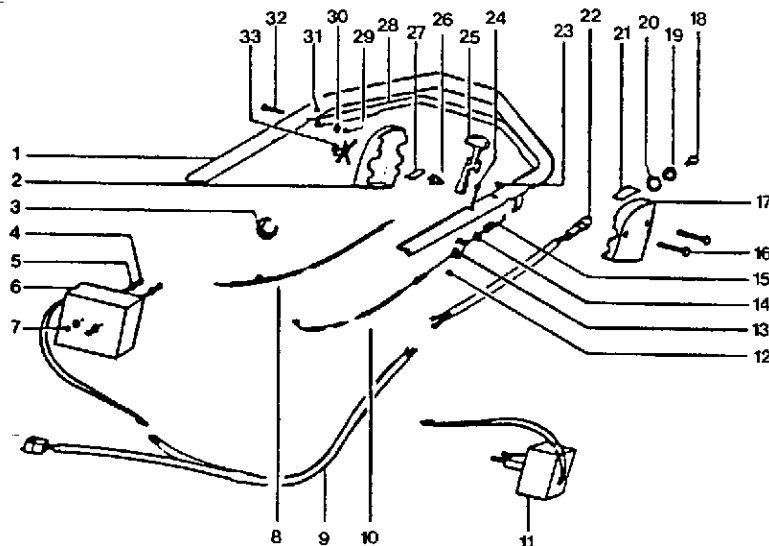
Vista stegola superiore e comandi COUNTRY

Upper handle and control COUNTRY

Mancheron partie supérieure et éléments de commande COUNTRY

Lenkeroberteil und Bedienungselemente COUNTRY

Ref. N°	Part. N°	Qty.	Descrizione	Description	Description	Beschreibung
1	P02070161	1	STEGOLA SUPERIORE	UPEPR HANDLE BAR	GUIDON	LENKER OBERTEIL
2	P2020106	1	SEMISCATOLA DX.	SHELL	BOÎTE	SCHALE
3	P2020080	2	FERMOCAVO	CLIP	CLIP	HALTER
4	P1010077	2	VITE	SCREW	VIS	SCHRAUBE
5	P1020055	2	RONDELLA	WASHER	RONDELLE	SCHIBE
6	P5030008	1	BATTERIA	BATTERY	BATTERIE	BATTERIE
7	1050002A1	2	DADO	NUT	ECROU	MUTTER
8	P5020027	1	CAVO ACC. 4233	CABEL 4233	CABLE 4233	KABEL 4233
9	P5030006	1	CAVO ELETTRICO	EL. CABLE	CABLE EL.	EL. KABEL
10	P5010014	1	CAVO TRAZIONE	CABLE	CABLE	KABEL
11	P5030009	1	CARICA BATTERIA	CHARGER	CHARGEUR	CADEGERÄT
12	1050003A1	1	DADO	NUT	ECROU	MUTTER
13	P4010060	1	PIASTRINA	PLATE	PLAQUE	BLECH
14	—	—	—	—	—	—
15	—	—	—	—	—	—
16	P1010102	2	VITE	SCREW	VIS	SCHRAUBE
17	P2020107	1	SEMISCATOLA SX.	SHELL	BOÎTE	SCHALE
18	P5030011	1	CHIAVE	KEY	CLEF	SCHLÜSSEL
19	—	—	—	—	—	—
20	—	—	—	—	—	—
21	P5140516	1	DECALCO	STICKER	MARQUAGE	AUFKLEBER
22	P5030010	1	BLOCCHETTO COMPLETO	CABLE ASSY	CABLE COMPL.	KABEL KOMPL.
23	5060001A1	1	TAPPINO	TAP	BOUCHON	STOPFEN
24	P1010078	1	VITE	SCREW	VIS	SCHRAUBE
25	P00065099	1	LEVA	LEVER	LEVIER	HEBEL
26	P2020108	1	PERNO	BOLT	BOULON	BOLZEN
27	P4010059	1	MOLLA	SPRING	RESSORT	FEDER
28	P02042081	1	MANIGLIA	HANDLE	LEVIER	GRIF
29	1050002A1	2	DADO	NUT	ECROU	MUTTER
30	P1020055	2	RONDELLA	WASHER	RONDELLE	SCHIBE
31	P2020076	2	DISTANZIALE	SPACER	RONDELLE	DISTANZRING
32	1010002A1	2	VITE	SCREW	VIS	SCHRAUBE
33	P1050007	2	DADO	NUT	ECROU	MUTTER
*	P00035099	—	SCATOLA ACC. COMPLETA	E-START ASSY	E-START COMPL.	E-START KOMPL.



Tav. 6

Vista stegola superiore e comandi COUNTRY ELECTRIC START

Upper handle and controls COUNTRY ELECTRIC START

Mancheron partie supérieur et éléments de commande

COUNTRY ELECTRIC START

Lenkeroberteil und Bedienungselemente COUNTRY ELECTRIC START

Vista generale ENDURO-COUNTRY
Complete machine ENDURO-COUNTRY
Vue d'ensemble ENDURO-COUNTRY
Gesamtansicht ENDURO-COUNTRY

