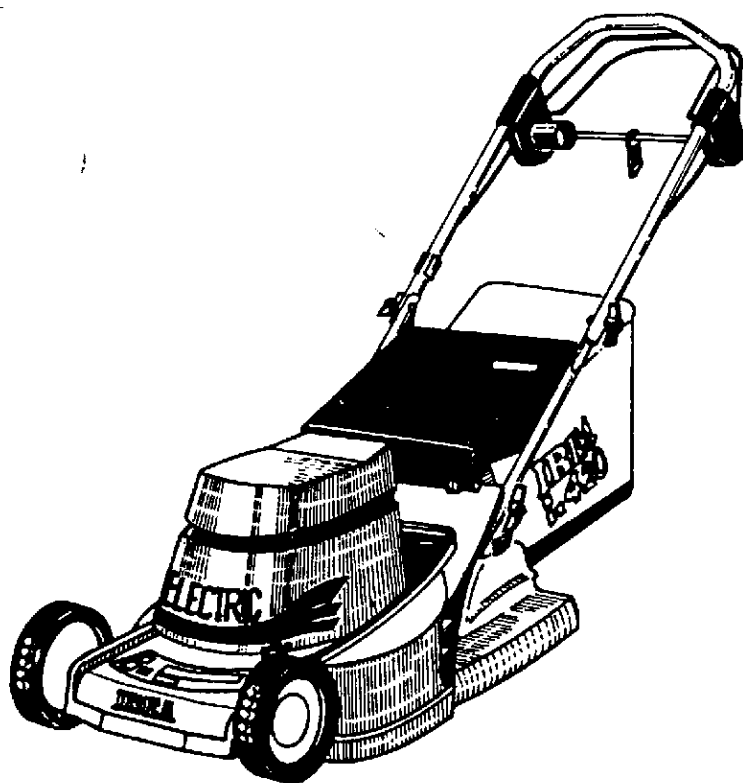


IBEA

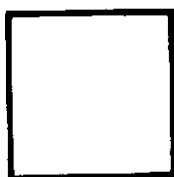
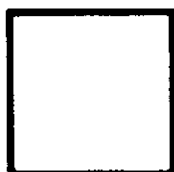
Serie: dal n. 891001

Stampato n. P5090024

LISTA RICAMBI
SPARE PART LIST
ERSATZTEILLISTE
LISTE DES PIECES DE RECHANGE



TOSAERBA
SERIE 420 elettrico rullo

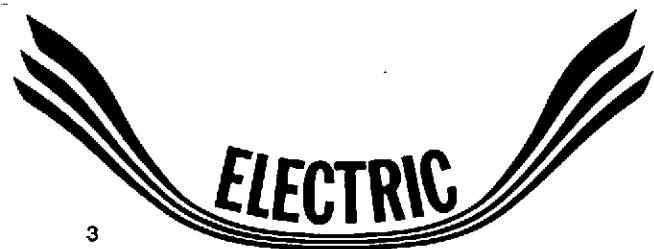


mod. ENDURO
mod. COUNTRY

Ref. N°	Part. N°	Qty.	Descrizione	Description	Description	Beschreibung
1	P5140438	1	DECALCO	LABEL	MARQUAGE	
2	P5140458	1	DECALCO	LABEL	MARQUAGE	
3	P5140514	1	DECALCO	LABEL	MARQUAGE	
4	P5140517	1	DECALCO	LABEL	MARQUAGE	
5	P5140518	1	DECALCO	LABEL	MARQUAGE	
6	P5140519	1	DECALCO	LABEL	MARQUAGE	
*	P5090023	1	MANUALE ISTRUZIONI	OPERATOR MANUAL	MODE D'EMPLOI	
*	P5110007	1	CHIAVE	KEY	CLEF	



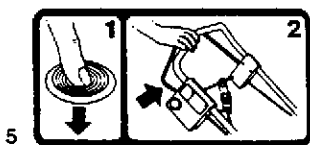
2



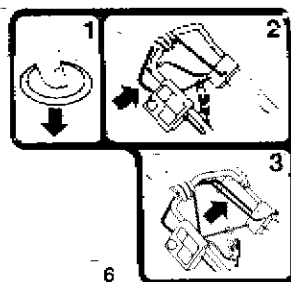
3



4



5



6

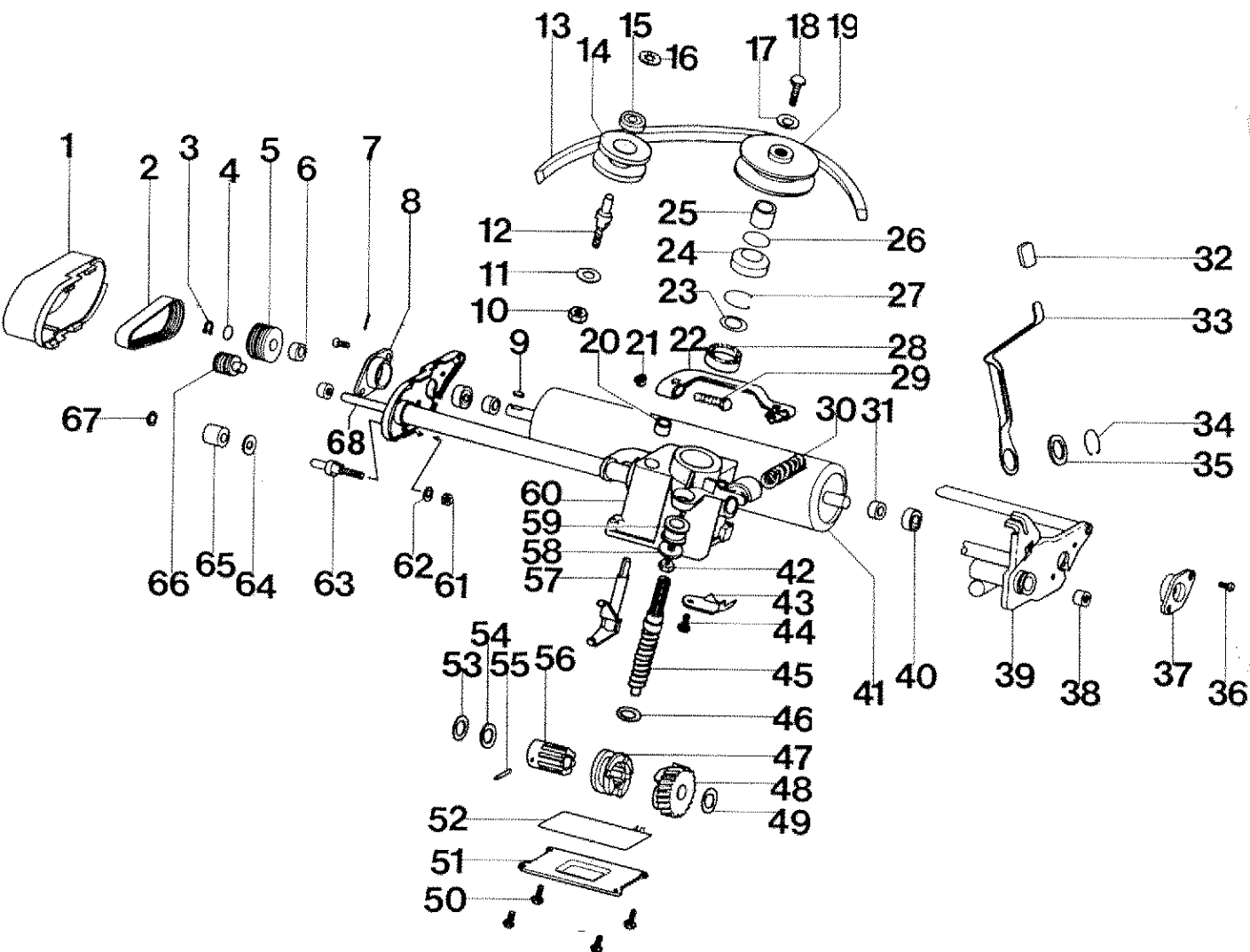
Ref. N°	Part. N°	Qty.	Descrizione	Description	Description	Beschreibung
2	P01011056		TELAIO	FRAME	CADRE	GESTELL
3	P00012066		SACCO	GRASSBAG	SAC	SACK
4	P00022257	1	TETTUCCIO	COVER	COUVERCLE	ABDECKUNG
5	P1010072	4	VITE	SCREW	VIS	SCHRAUBE
6	P00022157	1	CAPPELOTTO	COVER	COUVERCLE	ABDECKUNG
6	P5120032	1	MOTORE 1100 W	MOTOR 1100 W	MOTEUR 1100 W	MOTOR 1100 W
6	P5120034	1	MOTORE 1300 W	MOTOR 1300 W	MOTEUR 1300 W	MOTOR 1300 W
6	P5120033	1	MOTORE 1500 W	MOTOR 1500 W	MOTEUR 1500 W	MOTOR 1500 W
7	P1010105	2	VITE	SCREW	VIS	SCHRAUBE
8	P5070003	1	STRINGICAVO	CLIP	COLLIER	KABELHALTER
9	P00022057	1	CONTENITORE MOTORE	HOUSING	CAISSE	GEHÄUSE
10	—	—	VEDI TAV. 4-5-6	SEE N° 4-5-6	VOIR N° 4-5-6	SIEHE NR. 4-5-6
11	1010026A1	2	VITE	BOLT	VIS	SCHRAUBE
12	2020050A1	2	GALLETTO	KNOB	ECROU	MUTTER
13	1020014A1	2	RONDELLA	WASHER	RONDELLE	SCHLEIBE
14	P2040011	MT 0,025	GOMMINO	RUBBER	CAOUTCHOUC	GUMMILEISTE
15	P3020011	1	MOLLA	SPRING	RESSORT	FEDER
16	P01027066	1	ASTINA	ROD	TIGE	STAB
17	P1060004	2	STARLOCK	STARLOCK	SÉCURITÉ	STARLOCK-SCHLEIBE
18	P2020109	1	PORTELLO	CHUTE DOOR	DÉFLECTEUR	KLAPPE
19	P1010061	2	VITE	SCREW	VIS	SCHRAUBE
20	P2020089	1	COPRINCINGHIA	BELT COVER	COUVERCLE COURROIE	KEILRIEMENABDECKUNG
21	P2020100	4	VITE x MOTORE	SCREW	VIS	SCHRAUBE
22	P2020117	2	GALLETTO	KNOB	ECROU	MUTTER
23	P1020064	4	RIVETTI	RIVET	RIVET	NIET
24	P01032056	1	PIASTRA	PLATE	PLAQUE	BLECH
25	P3040087	2	BUSSOLA	BUSHING	DOUILLE	BÜCHSE
26	P2020077		POMELLO	KNOB	COUVERCLE	ABDECKUNG
27	P00046066		LEVA	LEVER	LEVIER	HEBEL
28	P02005256		SCOCCA	DECK	CHASSIS	GEHÄUSE
29	P02070257	2	STEGOLA INFERIORE	LOWER HANDLEBAR	GUIDON	LENKERUNTERTEIL
30	P1050011	2	DADO	NUT	ECROU	MUTTER
31	1020009A1	2	RONDELLA	WASHER	RONDELLE	SCHLEIBE
32	P1020054	4	RONDELLA	WASHER	RONDELLE	SCHLEIBE
33	P1010090	4	VITE	SCREW	VIS	SCHRAUBE
34	P3040086	2	PERNO	BOLT	BOULON	BOLZEN
35	P01030358	1	ASSALE ANTERIORE	FRONT AXLE	ARBRE AVANT	VORDERACHSE
36	P01032156	1	PIASTRA	PLATE	PLAQUE	BLECH
37	P2020105	1	BUSSOLA RIDUZIONE	BUSHING	DOUILLE	BÜCHSE
38	P3040102	1	BUSSOLA LAMA Ø 22,2	BUSHING Ø 22,2	DOUILLE Ø 22,2	BÜCHSE Ø 22,2
39	P4050020	1	LAMA	BLADE	COUTEUR	MESSER
40	P2020113	1	CARTER DX.	COVER RI.	COUVERCLE DT.	DECKEL RE.
41	P00067057	1	VITE LAMA	SCREW	VIS	SCHRAUBE
42	P2020062	2	COPRIMOZZO	WHEEL COVER	COUVERCLE	ABDECKUNG
43	1010018A1	2	VITE	SCREW	VIS	SCHRAUBE
44	1020007A1	2	RONDELLA	WASHER	RONDELLE	SCHLEIBE
45	P2020078	2	COPERTONE	TYRE	PNEU.	REIFEN
46	P2020079	2	CERCHIO	RIM	JANTE	FELGE
47	P3030013	4	CUSCINETTI	BEARING	PALIER	LAGER
48	P2020071	2	COPRIRUOTA	COVER	COUVERCLE	ABDECKUNG
49	P2020088	2	DISTANZIALE	SPALER	DOUILLE	DISTANZBÜCHSE
50	P1020050	2	RONDELLA ELASTICA	SPRING WASHER	RONDELLE	SCHLEIBE
51	P00015181	—	RUOTA COMPLETA	WHEEL ASSY	ROUE COMPL.	RAD KOMPL.
52	P5080005	—	CONDENSATORE 12 µF	CONDENSATOR 12 µF	CONDENSATEUR 12 µF	KONDENSATOR 12 µF
52	P5080006	—	CONDENSATORE 16 µF	CONDENSATOR 16 µF	CONDENSATEUR 16 µF	KONDENSATOR 16 µF
52	P5080007	—	CONDENSATORE 20 µF	CONDENSATOR 20 µF	CONDENSATEUR 20 µF	KONDENSATOR 20 µF
53	P2020114	1	CARTER SX.	COVER LE.	COUVERCLE GA.	DECKEL LI.
54	P1010108	6	VITE	SCREW	VIS	SCHRAUBE
*	P00010056	—	CESTELLO COMPLETO	GRASSBAG ASSY	SAC. COMPL.	SACK KOMPL.

Vista assale posteriore e riduttore COUNTRY

Rear axle and gear box COUNTRY

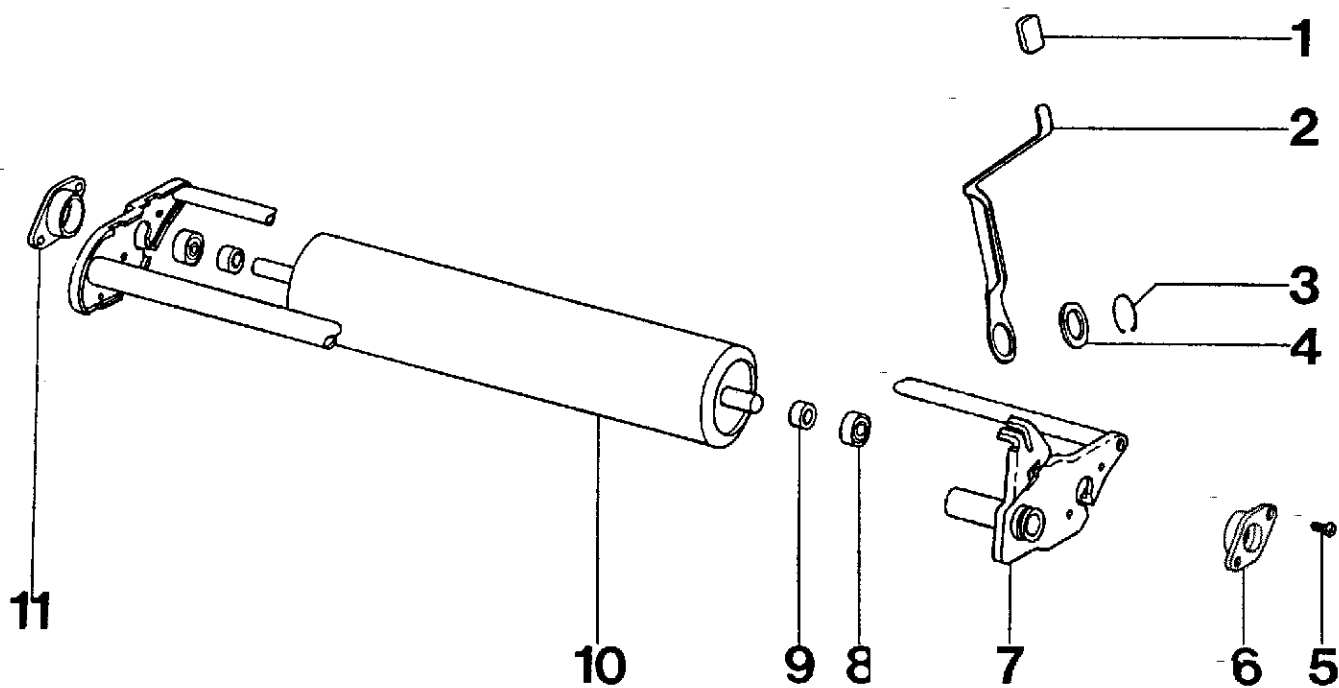
Essieu arrière et transmission COUNTRY

Hinterachse und Getriebe COUNTRY



Ref. N°	Part. N°	Qty.	Descrizione	Description	Description	Beschreibung
1	P2020112	1	CARTER CINGHIA	HOUSING	ENVELOPPE	ADBECKUNG
2	P3010017	1	CINGHIA	BELT	COURROIE	KEILRIEMER
3	1070001A1	1	SEEGER	CIRCLIP	ANNEAU SEEGER	SEEGERRING
4	1020020A1	1	SPESSORE	SHIM	RONDELLE	SCHEIBE
5	P3040108	1	PULEGGIA	PULLEY	POULIE	RIEMENSCHLEIBE
6	P3040111	1	DISTANZIALE	SPACER	RONDELLE	DISTANZRING
7	P1080007	1	SPINA ELASTICA	PIN	COUILLIE	STIFT
8	P2020110	1	SUPPORTO DX.	BUSHING RH.	SUPPORTO DR.	BÜCHSE RE.
9	P1090004	1	CHIAVETTA	ADJUSTING SPRING	CLAVETTE	PAßFEDES
10	P1050011	1	DADO	NUT	ECROU	MUTTER
11	1020009A1	1	RONDELLA	WASHER	RONDELLE	SCHEIBE
12	P3040094	1	PERNO TENDICINGHIA	BOLT	BOULON	BOLZEN
13	P3010013	1	CINGHIA	BELZ	COURROIE	KEILRIEMEN
14	P3040063	1	TENDICINGHIA	BELT TENSIONES	TENDEUR COURROIE	KEILRIEMEN SPANNER
15	P3030014	1	CUSCINETTO	BEARING	PALIER	LAGER
16	P1060006	1	STARLOCK	STARLOCK	STARLOCK	STARLOCK
17	1020007A1	1	RONDELLA	WASHER	RONDELLE	SHEIBE
18	1010018A1	1	VITE	SCREW	VIS	SCHRAUBE
19	P3040048	1	PULEGGIA	PULLEY	POULIE	RIEMENSCHLEIBE
20	P3170012	1	PARAOGLIO	SEAL	JOINT D'ARBRE	DICHTRING
21	1050003A1	1	DADO	NUT	ECROU	MUTTER
22	P4070011	1	LEVA	LEVER	LEVIER	HEBEL
23	P1020051	1	SPESSORE	SHIM	RONDELLE	SCHEIBE
24	P3170010	1	PARAOGLIO	SEAL	JOINT D'ARBRE	DICHTRING
25	P3040049	1	DISTANZIALE	SPACER	RONDELLE	ABSTANDSRING
26	P3170013	1	OR	SEAL	JOINT	DICHTRING
27	P1070004	1	SEEGER	CIRCLIP	SEEGER	SEEGERRING
28	P3030010	1	CUSCINETTO	BEARING	POLIER	LAGER
29	P1010075	1	VITE	SCREW	VIS	SCHRAUBE
30	P3020010	1	MOLLA	SPRING	RESSORT	FEDER
31	P3040105	2	DISTANZIALE	SPACER	RONDELLE	ABSTANDSRING
32	P2020077	1	POMELLO LEVA	GUARD SOCKET	POIGNÉE	ABBECKUNG
33	P00046166	1	LEVA	LEVER	LEVIER	HEBEL
34	P1070008	1	SEEGER	CIRCLIP	SEEGER	SEEGERRING
35	P1020058	1	DISTANZIALE	SPACER	RONDELLE	SCHEIBE
36	P1010070	4	VITE	SCREW	VIS	SCHRAUBE
37	P2020111	1	SUPPORTO SX.	BUSHING	DOUILLE	BÜCHSE
38	P3030016	1	CUSCINETTO	BEARING	PALIER	LAGER
39	P01028060	1	CASTELLO RULLO	SUPPORT	SUPPORT	HALTER
40	P3030015	2	CUSCINETTO	BEARING	PALIER	LAGER
41	P01016060	1	RULLO	ROLLER	GALLET	ROLLE
42	P1010104	1	VITE	SCREW	VIS	SCHRAUBE
43	P4030010	1	COPERCHIO MOLLA	COVER	PLAQUE	BLECH
44	P1010076	1	VITE	SCREW	VIS	SCHRAUBE
45	P3040042	1	VITE SENZA FINE	WORMGEAR	VIS SANS FIN	SCHNECKENWELLE
46	P1020053	1	SPESSORE	WASHER	RONDELLE	RING
47	P00038099	1	INNESTO	SELECTOR COLLAR	MANCHON	NUGGE
48	P00038199	1	CORONA	WORM WHELL	ROUE	ZAHNRAD
49	1020020A1	1	SPESSORE	SHIM	RONDELLE	ABSTANDSRING
50	P1010076	4	VITE	SCREW	VIS	SCHRAUBE
51	P4110001	1	COPERCHIO	COVER	COUVERCLE	ABBECKUNG
52	P3170014	1	OR	O-RING	JOINT	DICHTRING
53	1020020A1	1	SPESSORE	WASHER	RONDELLE	RING
54	P1020051	1	SPESSORE	WASHER	RONDELLE	RING
55	P1080007	1	SPINA ELASTICA	PIN	COUILLIE	STIFT
56	P3050030	1	BUSSOLA SCANALATA	BUSHING	DOUILLE	KEILHÜLSE
57	P3040041	1	FORCELLA INNESTO	FORK	FOURCHE	GABEL
58	P1020054	1	RONDELLA	WASHER	RONDELLE	SCHEIBE
59	P2040010	1	GOMMINO	SHOCK ASSORBER	SILENT BLOCK	SILENT BLOCK
60	P00039099	1	SCATOLA	HOUSING	CAISSE	GEHÄUSE
61	1050003A1	1	DADO	NUT	ECROU	MUTTER
62	1020007A1	1	RONDELLA	WASHER	RONDELLE	SCHEIBE
63	P3040109	1	PERNO TENDICINGHIA INF.	BOLT	BOULON	STIFT
64	1020020A1	1	SPESSORE	SHIM WASHER	RONDELLE	SCHEIBE
65	P3040110	1	TENDICINGHIA	SELT TENSIONER	TENDEUR COURROIE	RIEMEN SPANNER
66	P3040107	1	PULEGGIA	PULLEY	POULIE	RIEMENSCHLEIBE
67	P1060007	1	STARLOCK	STARLOCK	STARLOCK	STARLOCK
68	P3040106	1	ALBERO	SHAFT	ARBRE	ACHSE

Ref. N°	Part. N°	Qty.	Descrizione	Description	Description	Beschreibung
1	P2020077	1	POMELLO LEVA	GUARD SOCKET	POIGNÉE	ABDECKUNG
2	P00046166	1	LEVA	LEVER	LEVIER	HABEL
3	P1070008	1	SEEGER	CIRCLIP	ANNEAU SEEGER	SEEGERRING
4	P1020058	1	DISTANZIALE	SPACER	RONDELLE	WELLEN DICHRING
5	P1010070	4	VITE	SCREW	VIS	SCHRAUBE
6	P2020111	1	SUPPORTO SX.	BUSHING	DOUILLE	BÜCHSE
7	P01028059	1	CASTELLO RULLO	SUPPORT	SUPPORT	HALTER
8	P3030015	2	CUSCINETTO	BEARING	POLIER	LAGER
9	P3040105	2	DISTANZIALE	SPACER	RONDELLE	DISTANZRING
10	P01016059	1	RULLO	ROLLES	GALET	ROLLE
11	P2020110	1	SUPPORTO	BUSHING	DOUILLE	BÜCHSE



Tav. 3

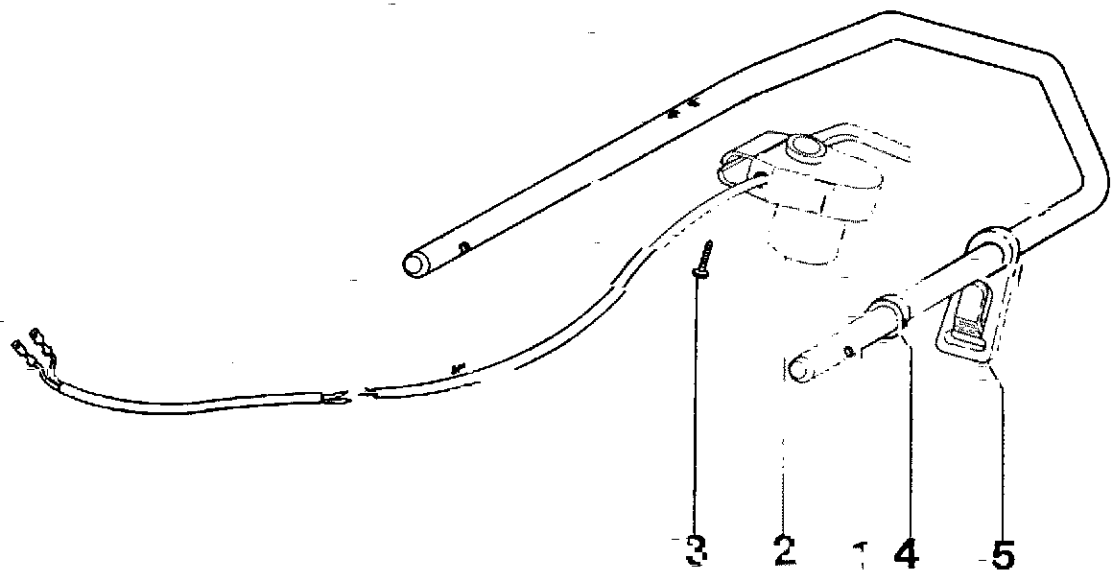
Vista assale posteriore ENDURO

Rear axle ENDURO

Essieu arrière ENDURO

Hinterachse ENDURO

Ref. N°	Part. N°	Qty.	Descrizione	Description	Description	Beschreibung
1		1	STEGOLA SUPERIORE	UPPER HANDLE BAR	GUIDON	
2		1	INTERRUTTORE 1100 W	SWITCH 1100 W	BOUTON 1100 W	
3		2	VITE	SCREW	VIS	
4		1	FASCETTA	CLIP	CLIP	
5		1	TENDICAVO	CABLE RETAINER CLIP	FIXER CABLE	



Tav. 4

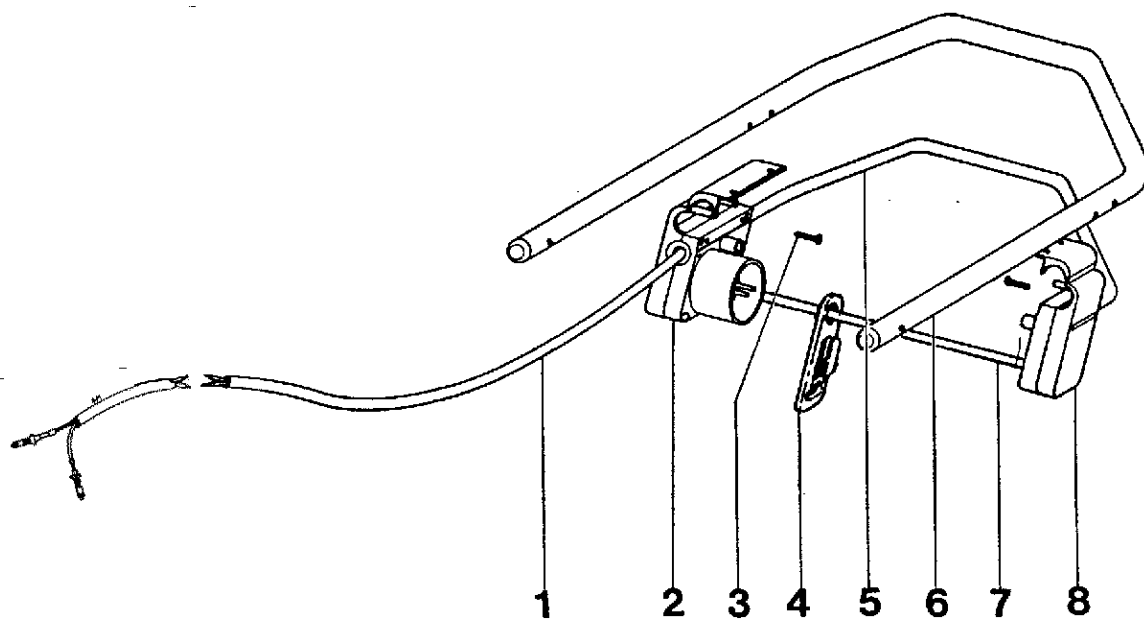
Vista stegola superiore e comandi ENDURO 1100 W

Upper handle and controls ENDURO 1100 W

Mancheron partie supérieur et éléments de commande ENDURO 1100 W

Lenkeroberteil und Bedienungselemente ENDURO 1100 W

Ref. N°	Part. N°	Qty.	Descrizione	Description	Description	Beschreibung
1	P5080003	1	INTERRUTTORE 1500 W	SWITCH 1500 W	BOUTON 1500 W	SCHALTER 1500 W
1	P5080002	1	INTERRUTTORE 1300 W	SWITCH 1300 W	BOUTON 1300 W	SCHALTER 1300 W
2	P1080008	2	SPINA ELASTICA	BOLT	BONDON	BOLZEN
3	P1010107	4	VITE	SCREW	VIS	SCHRAUBE
4	P2020102	1	TENDICAVO	CABLE RETAINER CLIP	FIXE-CABLE	ZUGENTLASTUNG
5	P02043164	1	LEVA INTERRUTTORE	LEVER	LEVIER	HEBER
6	P02070164	1	STEGOLA SUPERIORE	UPPER HANDLE BAR	GUIDON	LENKERBERTEIL
7	P01027157	1	ASTINA	ROD	TIGE	STAB
8	P5080009	1	SUPPORTO	HOUSING	BOITE	GEHÄUSE



Tav. 5

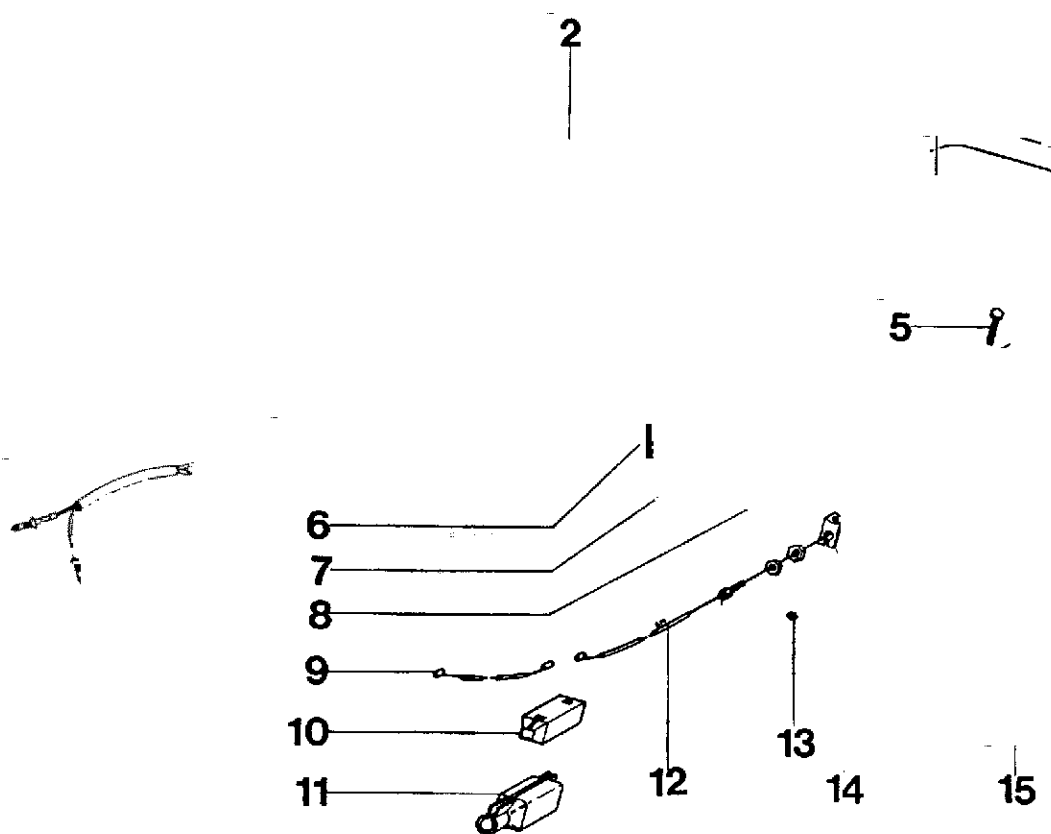
Vista stegola superiore e comandi ENDURO 1300 W - 1500 W

Upper handle and control ENDURO 1300 W - 1500 W

Mancheron partie supérieur et éléments de commande ENDURO 1300 W - 1500 W

Lenkeroberteil und Bedienungselemente ENDURO 1300 W - 1500 W

Ref. N°	Part. N°	Qty.	Descrizione	Description	Description	Beschreibung
1	P5080003	1	INTERRUTTORE	SWITCH	BOUTON	
2	P02070163	1	STEGOLA SUPERIORE	UPPER HANDLE BAR	GUIDON	
3	P02042063	1	MANIGLIA TRAZIONE	TRACTION LEVER	LEVIER TRACTION	
4	P02041963	1	MANIGLIA INTERRUTTORE	LEVER SWITCH	LEVIER BOUTON	
5	P1010078	1	VITE	SCREW	VIS	
6	P1080008	2	SPINA ELASTICA	BOLT	BONDON	
7	P01027157	1	ASTINA	ROD	TIGE	
8	P2020102	1	TENDICAVO	CABLE RETAINER	FIXE-CABLE	
9	P5010016	1	CAVO TRAZIONE	TRACTION CABLE CLIP	CABLE TRACTION	
10	P2020116	1	GIUNTO	JOINT	CONNECTION	
11	P2020115	1	ISOLATORE	INSULATING JOINT	ISOLATEUR	
12	P5010017	1	CAVO TRAZIONE	TRACTION CABLE	CABLE TRACTION	
13	1050003A1	1	DADO	NUT	ECROU	
14	P4010060	1	PIASTRINA	PLATE	PLAQUE	
15	P1010107	4	VITE	SCREW	VIS	
16	P5080009	1	SUPPORTO	HOUSING	BOÎTE	
17	P5010018	1	CAVO	CABLE	CABLE	



Tav. 6

Vista stegola superiore e comandi COUNTRY 1500 W

Upper handle and controls COUNTRY 1500 W

Mancheron partie supérieur et éléments de commande COUNTRY 1500 W

Lenkeroberteil und Bedienungselemente COUNTRY 1500 W

Vista generale ENDURO-COUNTRY
Complete machine ENDURO-COUNTRY
Vue d'ensemble ENDURO-COUNTRY
Gesamtansicht ENDURO-COUNTRY

