

For Husqvarna Parts Call 606-678-9623 or 606-561-4983

 **Husqvarna**

SERVICE



**5**

**I0001019**

IPL, Solar Mower, 2000-02, 106 25 11-63

# Solar Mower

## 2000

Spare parts

Ersatzteile

Pièces détachées

Reserve onderdelen

Repuestos

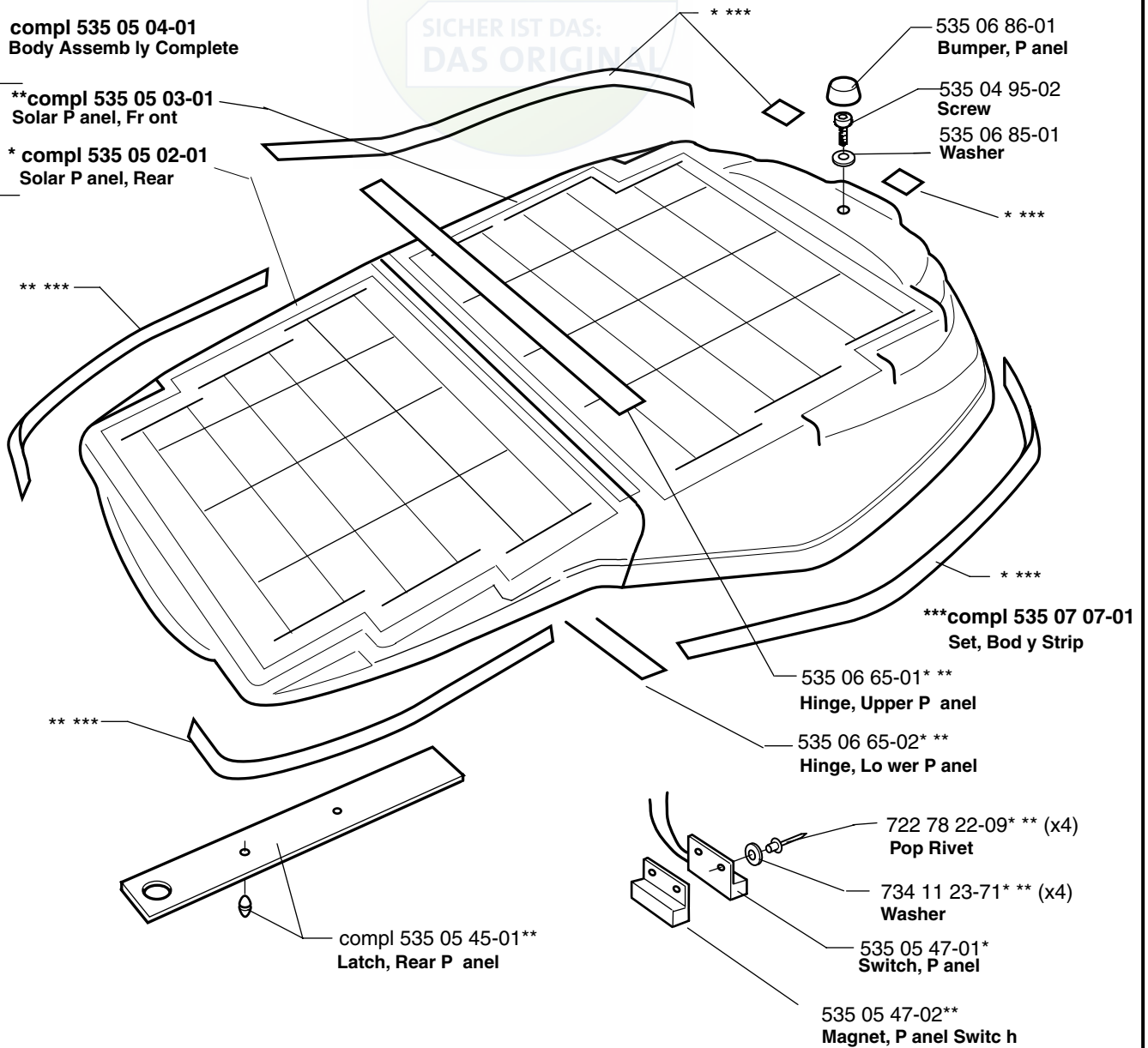
106 25 11-63

**A**

compl 535 05 04-01  
Body Assemb ly Complete

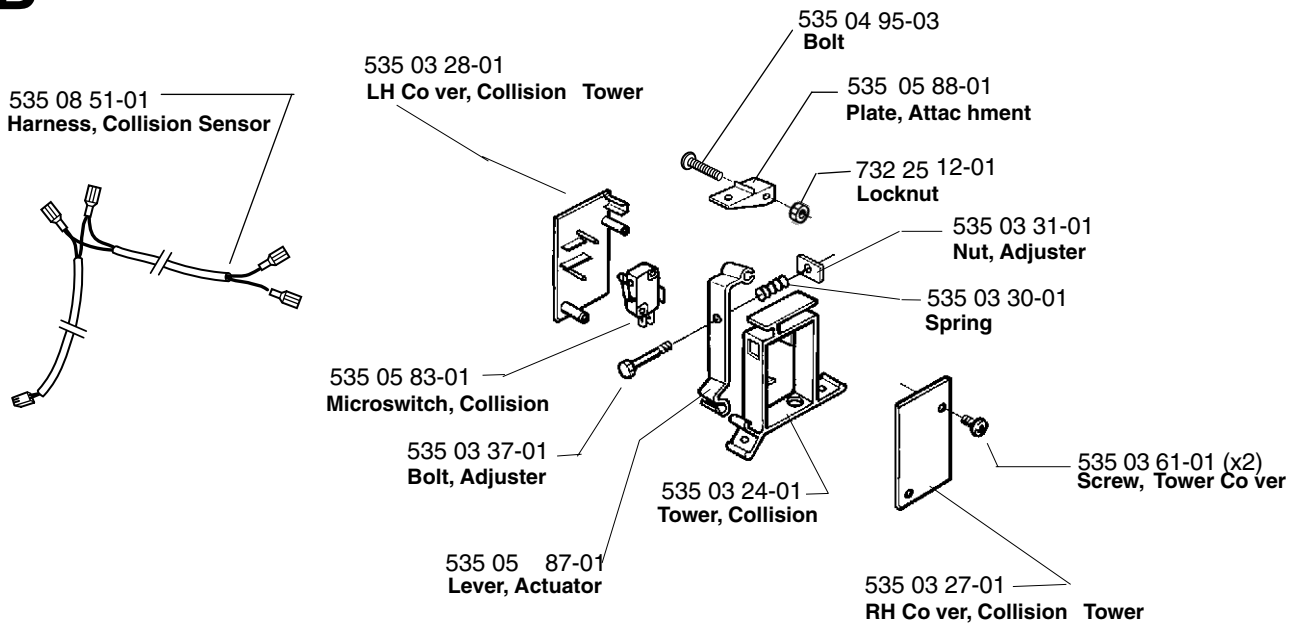
\*\*compl 535 05 03-01  
Solar P anel, Fr ont

\* compl 535 05 02-01  
Solar P anel, Rear

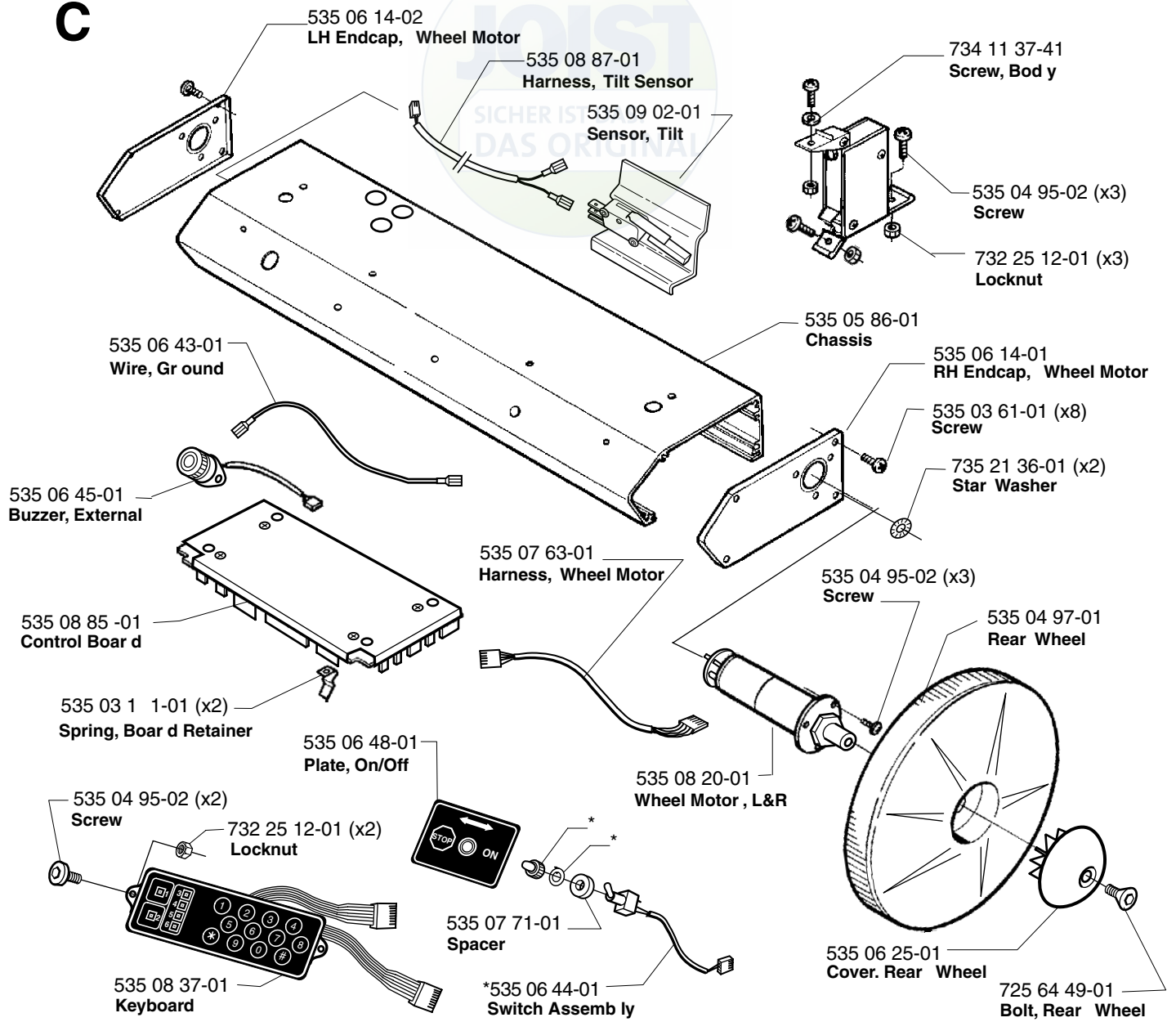


**B**

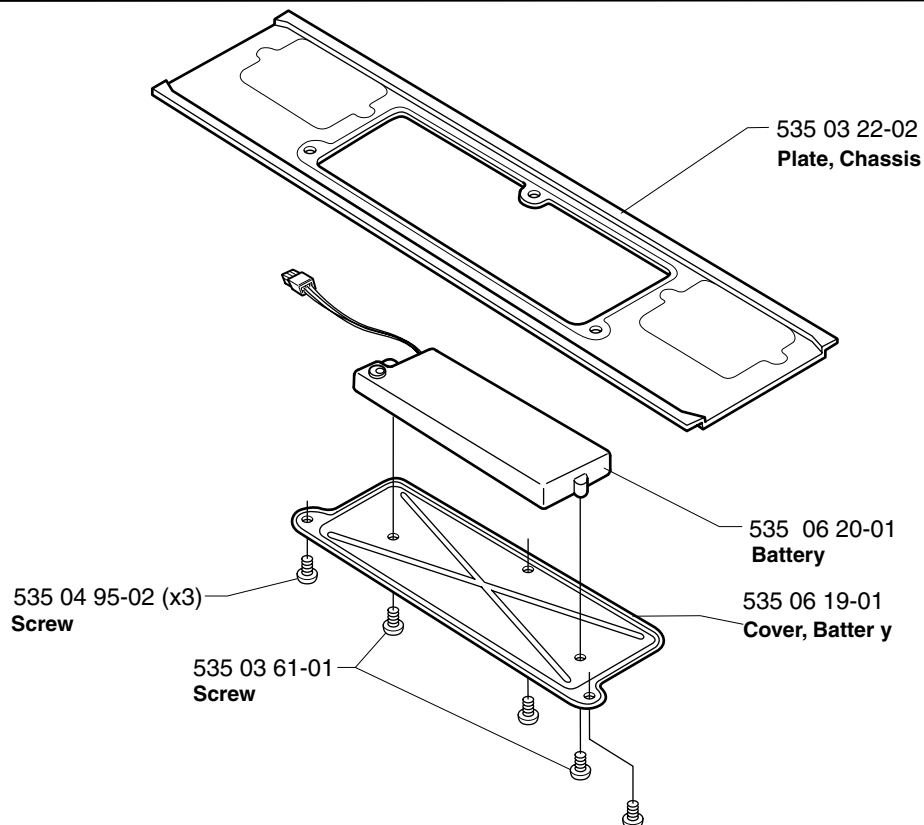
535 08 51-01  
Harness, Collision Sensor



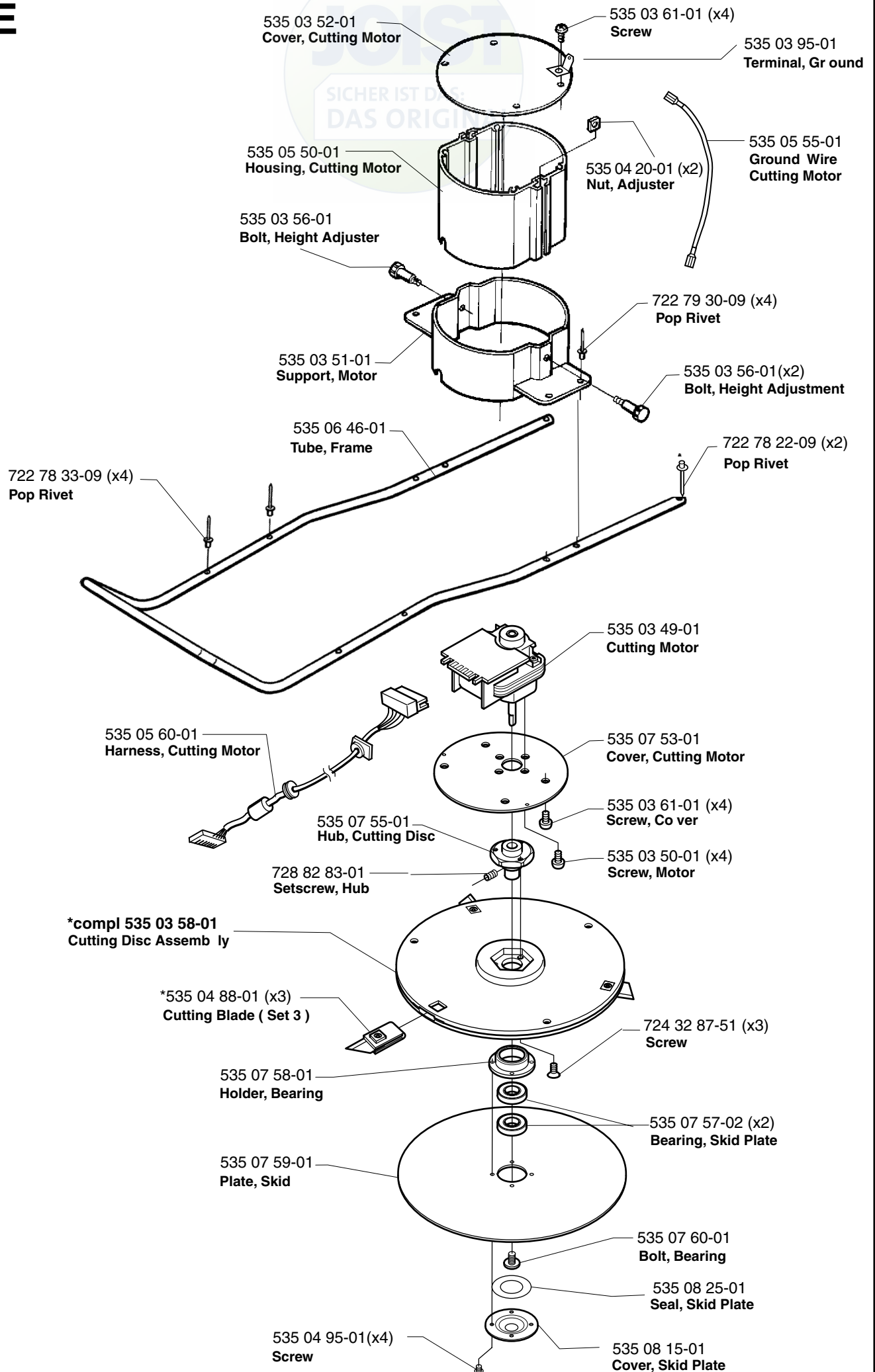
**C**



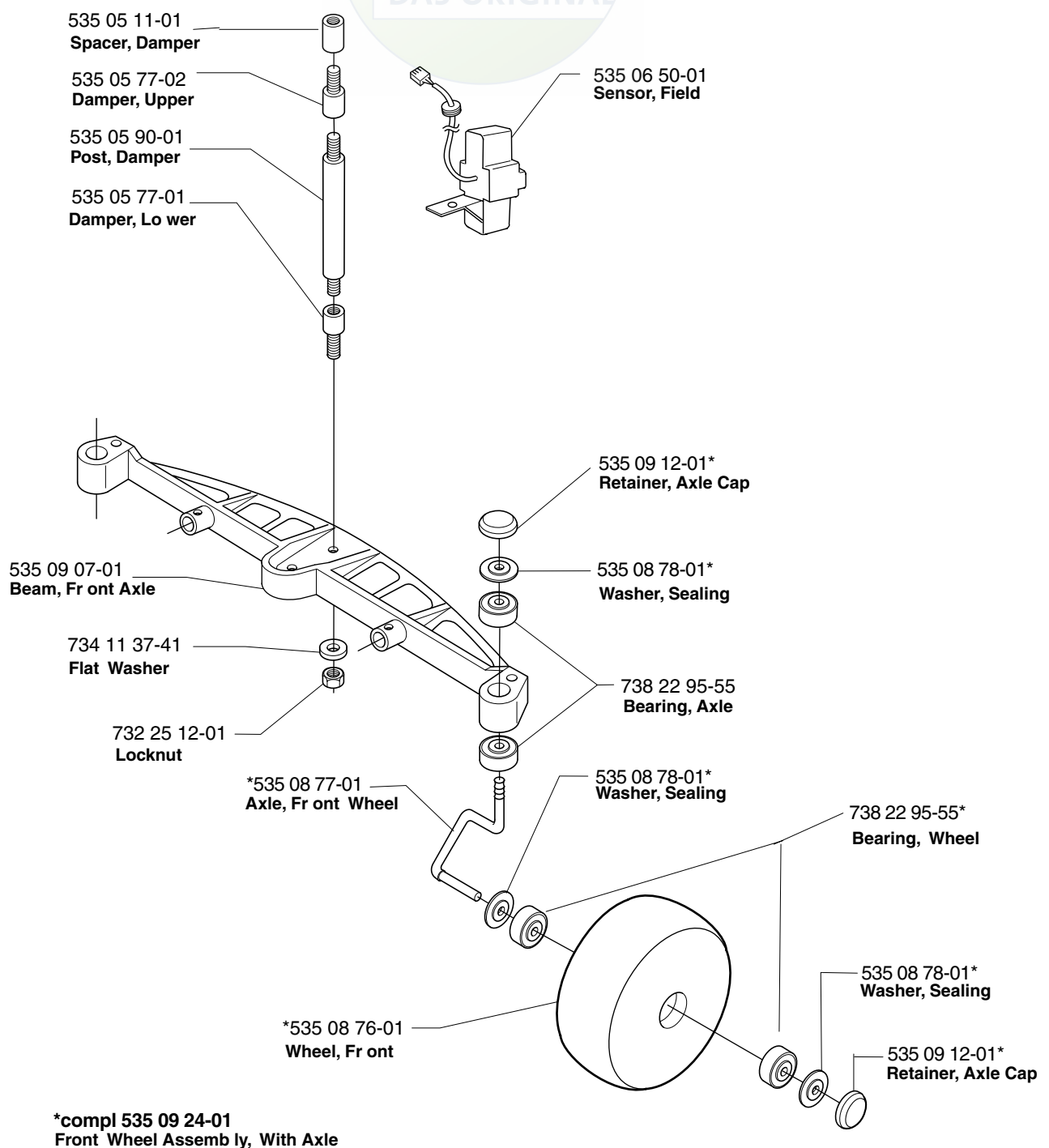
**D**



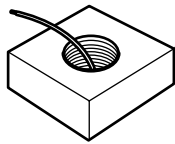
**E**



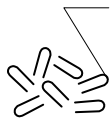
**F**



**J**

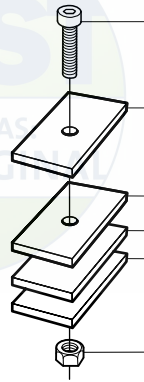


535 04 16-01  
Boundary Wire, 750'

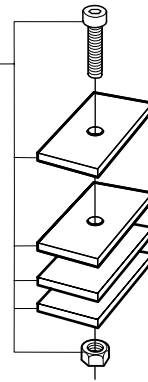


535 05 05-01  
Staples, Boundary Wire (200)

**H**



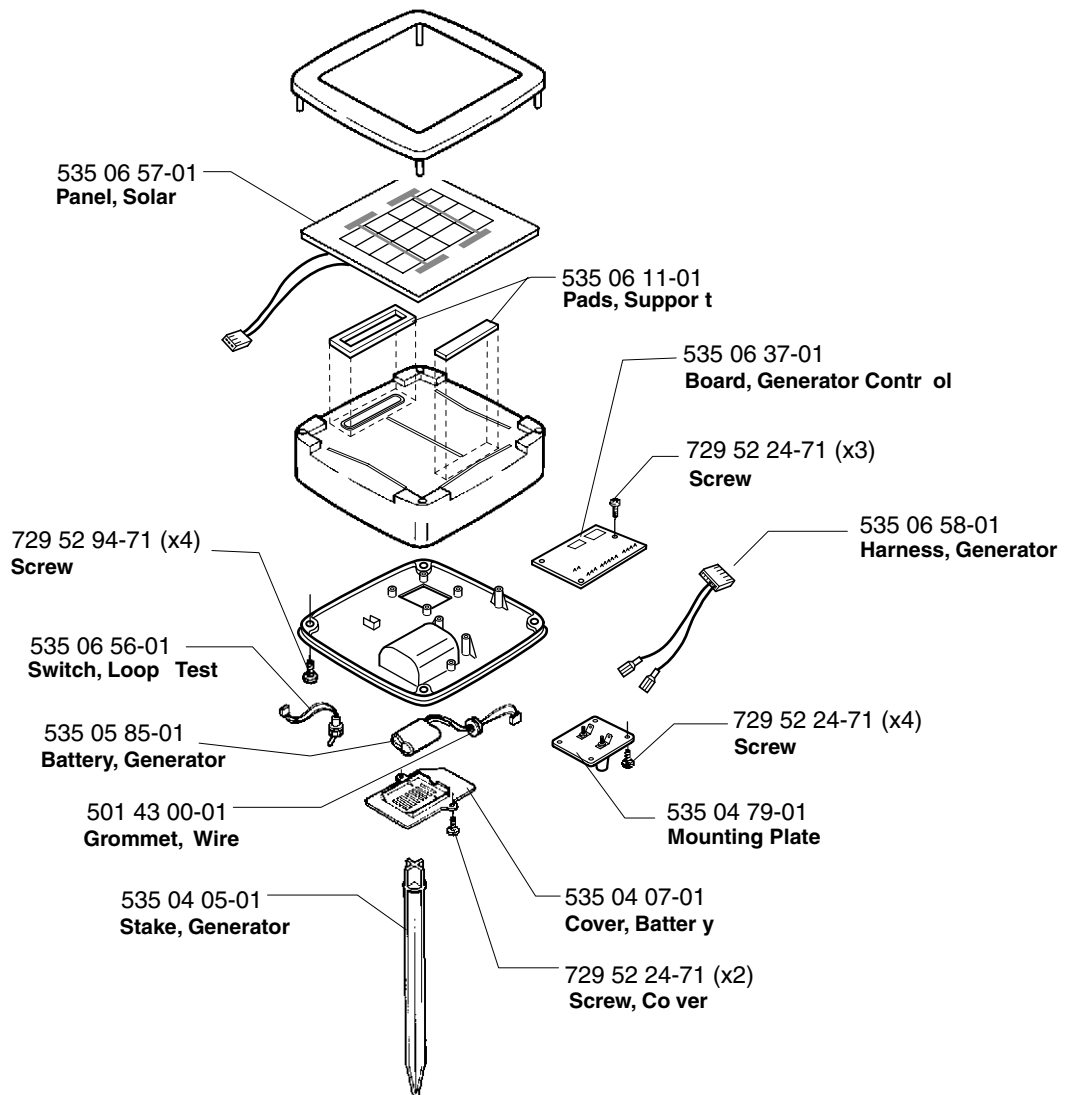
535 09 1 1-01  
Weight Kit



535 04 43-01  
Waterproof DBY Connector s

**G**

compl 535 05 67-01  
Solar Generator Assembly



# For Husqvarna Parts Call 606-678-9623 or 606-561-4983

Solar Mower

| PART NUMBER  | SQUARE NOTE | PART NUMBER  | SQUARE NOTE | PART NUMBER | SQUARE NOTE | PART NUMBER | SQUARE NOTE |
|--------------|-------------|--------------|-------------|-------------|-------------|-------------|-------------|
| 501 43 00-01 | G           | 535 07 07-01 | A           |             |             |             |             |
| 505 69 99-90 | J           | 535 07 53-01 | E           |             |             |             |             |
| 535 03 11-01 | C           | 535 07 55-01 | E           |             |             |             |             |
| 535 03 22-02 | D           | 535 07 57-02 | E           |             |             |             |             |
| 535 03 24-01 | B           | 535 07 58-01 | E           |             |             |             |             |
| 535 03 27-01 | B           | 535 07 59-01 | E           |             |             |             |             |
| 535 03 28-01 | B           | 535 07 60-01 | E           |             |             |             |             |
| 535 03 30-01 | B           | 535 07 71-01 | C           |             |             |             |             |
| 535 03 31-01 | B           | 535 08 15-01 | E           |             |             |             |             |
| 535 03 37-01 | B           | 535 08 20-01 | C           |             |             |             |             |
| 535 03 49-01 | E           | 535 08 25-01 | E           |             |             |             |             |
| 535 03 50-01 | E           | 535 08 37-01 | C           |             |             |             |             |
| 535 03 51-01 | E           | 535 08 51-01 | B           | N           |             |             |             |
| 535 03 52-01 | E           | 535 08 76-01 | F           | N           |             |             |             |
| 535 03 56-01 | E           | 535 08 77-01 | F           | N           |             |             |             |
| 535 03 58-01 | E           | 535 08 78-01 | F           | N           |             |             |             |
| 535 03 61-01 | BCE         | 535 08 85-01 | C           | N           |             |             |             |
| 535 03 95-01 | E           | 535 08 87-01 | C           | N           |             |             |             |
| 535 04 05-01 | G           | 535 09 02-01 | C           | N           |             |             |             |
| 535 04 07-01 | G           | 535 09 07-01 | F           | N           |             |             |             |
| 535 04 16-01 | J           | 535 09 11-01 | H           | N           |             |             |             |
| 535 04 20-01 | E           | 535 09 12-01 | F           | N           |             |             |             |
| 535 04 43-01 | H           | 535 09 24-01 | F           | N           |             |             |             |
| 535 04 79-01 | G           | 722 78 22-09 | AE          |             |             |             |             |
| 535 04 88-01 | E           | 722 78 33-09 | E           |             |             |             |             |
| 535 04 95-01 | E           | 722 79 30-09 | E           |             |             |             |             |
| 535 04 95-02 | ACD         | 724 32 87-51 | E           |             |             |             |             |
| 535 04 95-03 | B           | 725 64 49-01 | C           |             |             |             |             |
| 535 04 97-01 | C           | 728 82 83-01 | E           |             |             |             |             |
| 535 05 02-01 | A           | 729 52 24-71 | G           |             |             |             |             |
| 535 05 03-01 | A           | 729 52 94-71 | G           |             |             |             |             |
| 535 05 04-01 | A           | 732 25 12-01 | BCF         |             |             |             |             |
| 535 05 05-01 | J           | 734 11 23-71 | A           |             |             |             |             |
| 535 05 11-01 | F           | 734 11 37-41 | CF          |             |             |             |             |
| 535 05 13-01 | C           | 735 21 36-01 | C           | N           |             |             |             |
| 535 05 45-01 | A           | 738 22 95-55 | F           |             |             |             |             |
| 535 05 47-01 | A           |              |             |             |             |             |             |
| 535 05 47-02 | A           |              |             |             |             |             |             |
| 535 05 50-01 | E           |              |             |             |             |             |             |
| 535 05 55-01 | E           |              |             |             |             |             |             |
| 535 05 60-01 | E           |              |             |             |             |             |             |
| 535 05 67-01 | G           |              |             |             |             |             |             |
| 535 05 77-01 | F           |              |             |             |             |             |             |
| 535 05 77-02 | F           |              |             |             |             |             |             |
| 535 05 83-01 | B           |              |             |             |             |             |             |
| 535 05 85-01 | G           |              |             |             |             |             |             |
| 535 05 86-01 | C           |              |             |             |             |             |             |
| 535 05 87-01 | B           |              |             |             |             |             |             |
| 535 05 88-01 | B           |              |             |             |             |             |             |
| 535 05 90-01 | F           |              |             |             |             |             |             |
| 535 06 11-01 | G           |              |             |             |             |             |             |
| 535 06 14-01 | C           |              |             |             |             |             |             |
| 535 06 14-02 | C           |              |             |             |             |             |             |
| 535 06 19-01 | D           |              |             |             |             |             |             |
| 535 06 20-01 | D           |              |             |             |             |             |             |
| 535 06 25-01 | C           |              |             |             |             |             |             |
| 535 06 37-01 | G           |              |             |             |             |             |             |
| 535 06 43-01 | C           |              |             |             |             |             |             |
| 535 06 44-01 | C           |              |             |             |             |             |             |
| 535 06 45-01 | C           |              |             |             |             |             |             |
| 535 06 46-01 | E           |              |             |             |             |             |             |
| 535 06 48-01 | C           |              |             |             |             |             |             |
| 535 06 50-01 | F           |              |             |             |             |             |             |
| 535 06 56-01 | G           |              |             |             |             |             |             |
| 535 06 57-01 | G           |              |             |             |             |             |             |
| 535 06 58-01 | G           |              |             |             |             |             |             |
| 535 06 65-01 | A           |              |             |             |             |             |             |
| 535 06 65-02 | A           |              |             |             |             |             |             |
| 535 06 85-01 | A           |              |             |             |             |             |             |
| 535 06 86-01 | A           |              |             |             |             |             |             |

N = New part  
 Neues teil  
 Nouvelle piece  
 Nueva pieza  
 Ny detalj