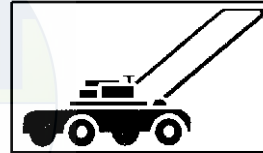


For Husqvarna Parts Call 606-678-9623 or 606-561-4983

 **Husqvarna**



13

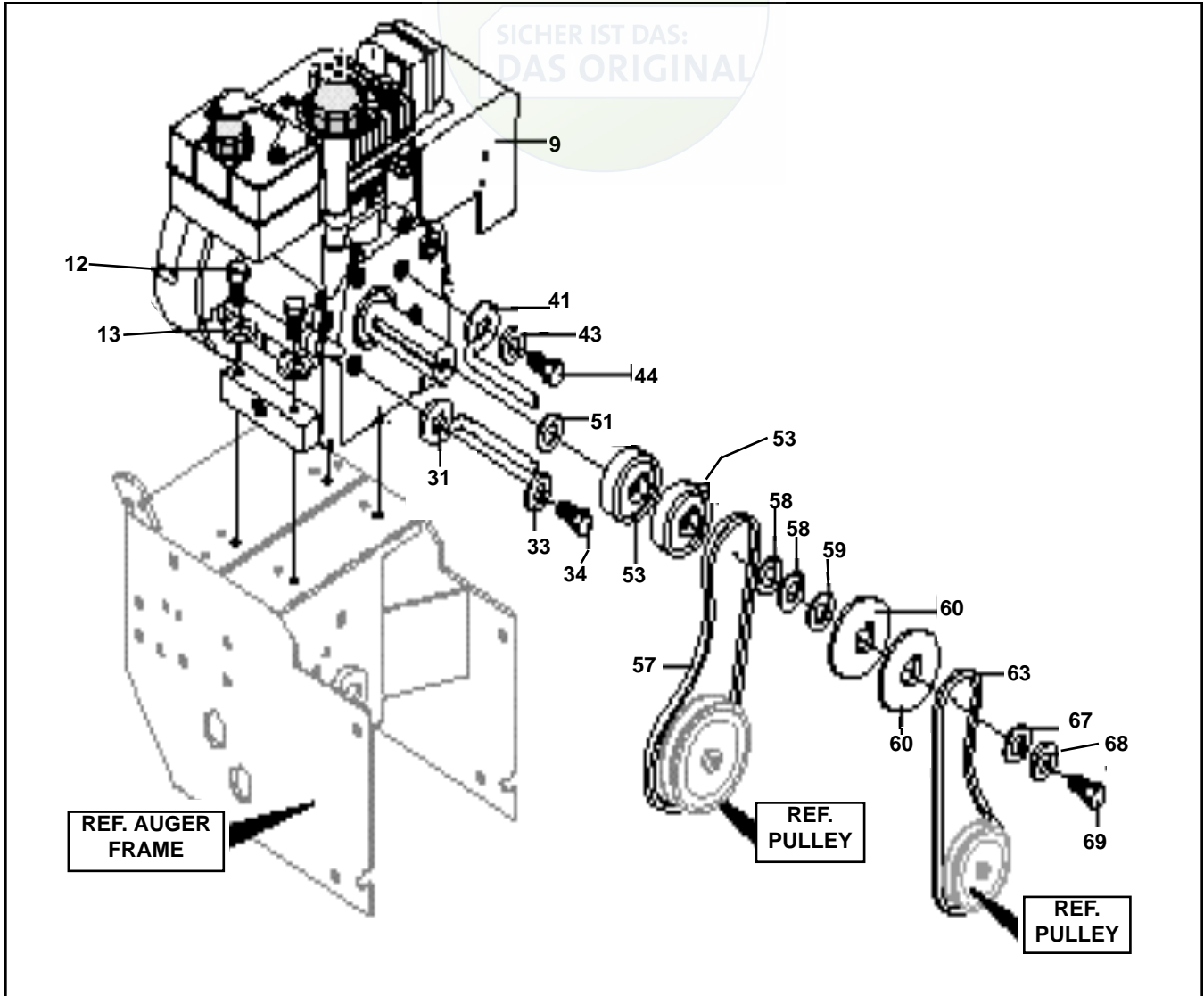
ST624E



1.1998
PARTS LISTING

601 00 23-71

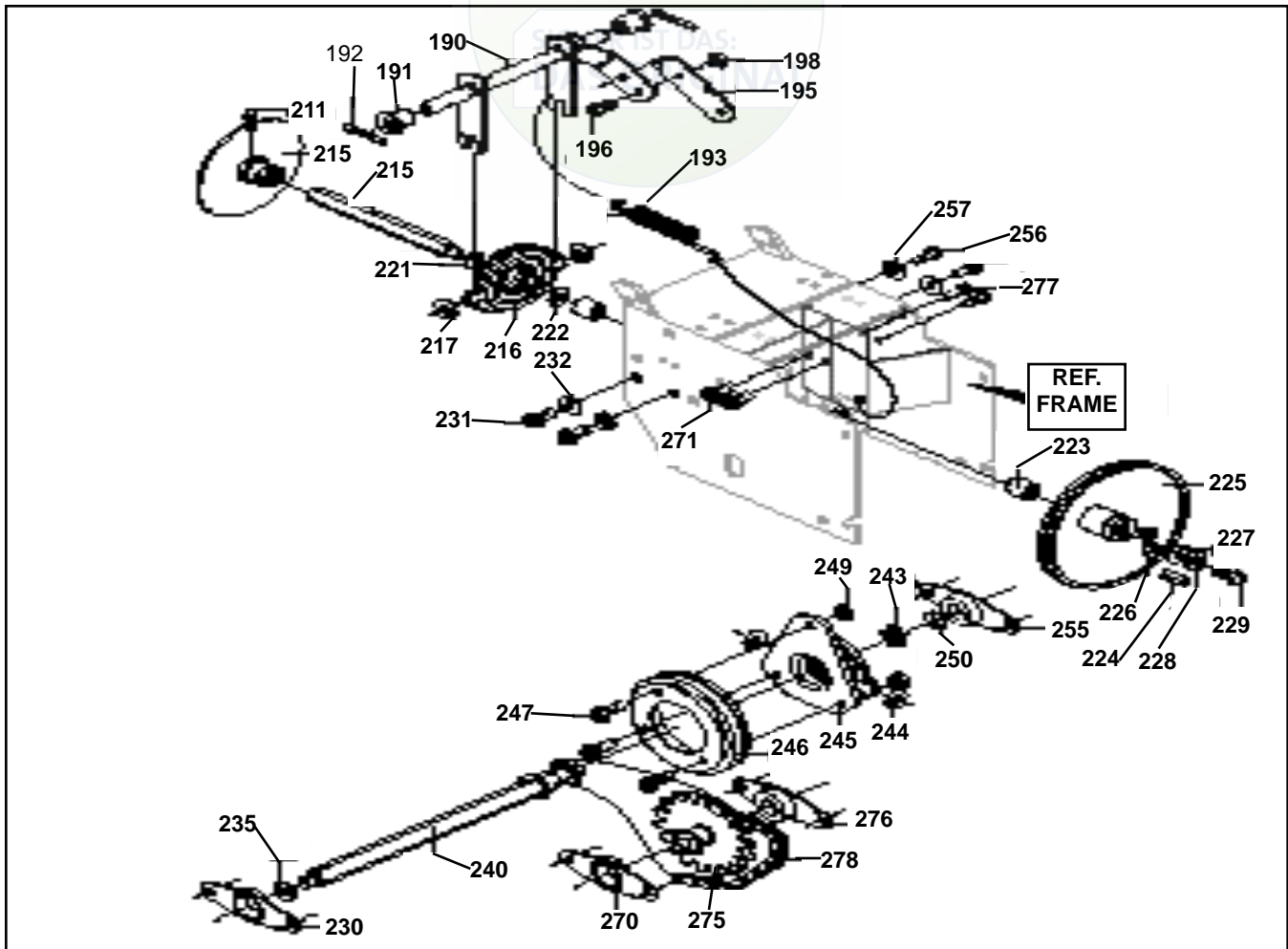
ST624 Engine Assembly



REF NO.	PART NO.	PART NAME
10	-	ENGINE, 6HP (See Engine Manual)
12	601 00 21 62	SCREW, 5/16-18
13	601 00 00 23	WASHER, .328X.60X.09
31	601 00 15 17	GUIDE, ROD BELT RH
33	601 00 00 23	WASHER, .328X.60X.09
34	601 00 14 43	SCREW, 5/16-24X 1.00
41	601 00 15 17	GUIDE, ROD BELT RH
43	601 00 00 23	WASHER, .328X.60X.09
44	601 00 14 43	SCREW, 5/16-24X 1.00
51	601 00 14 34	WASHER, CRANKSHAFT
53	601 00 14 36	PULLEY, HALF
57	601 00 14 37	BELT, V 3L 33.13LG

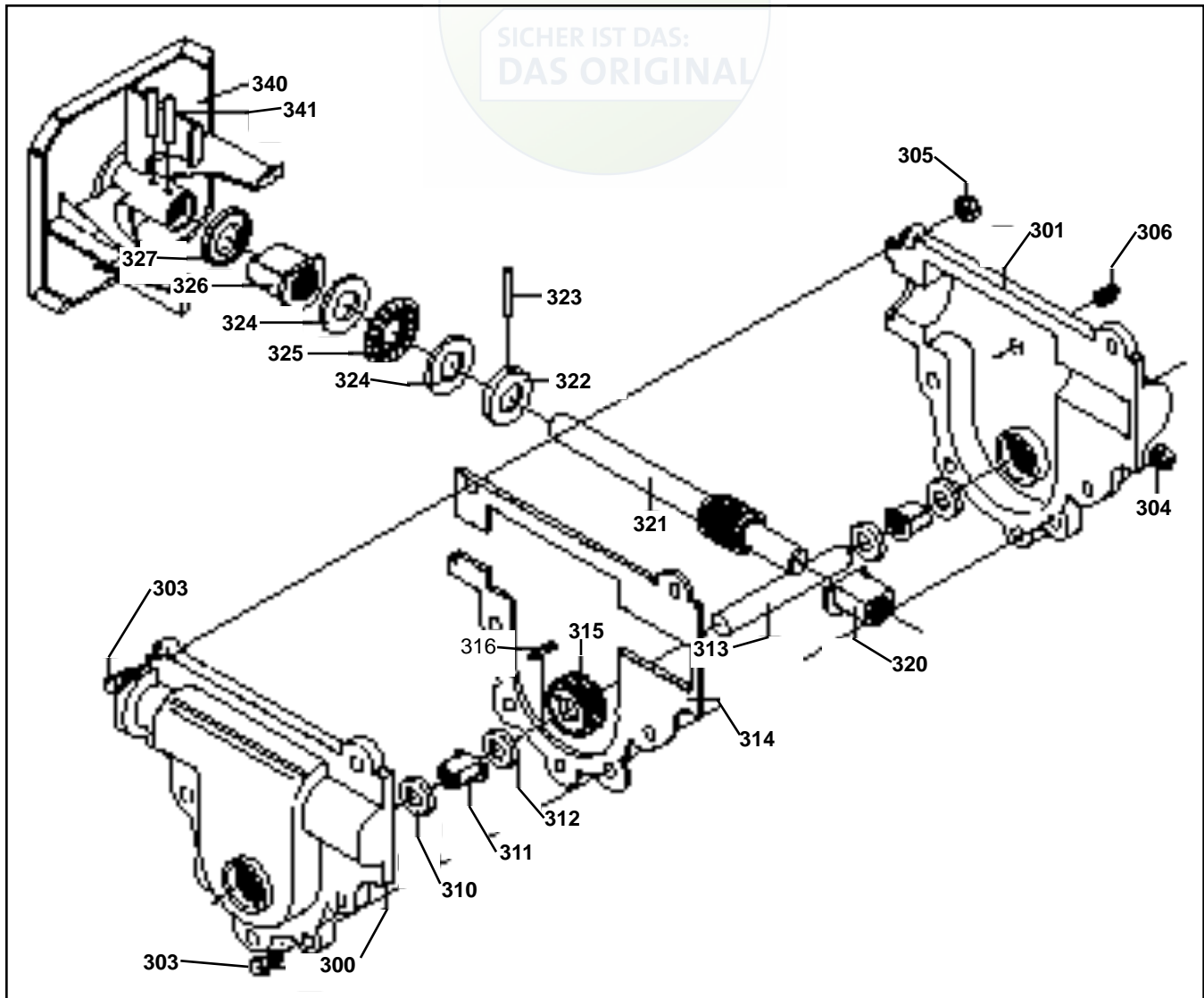
REF NO.	PART NO.	PART NAME
58	601 00 14 38	FLATWASHER .765X1.12X.06
59	601 00 20 20	SPACER, SLEEVE
60	601 00 20 21	PULLEY, ENGINE
63	601 00 21 48	BELT, V 4L 35.23LG
67	601 00 14 41	WASHER, FLAT
68	601 00 00 15	WASHER, .393X.68X.10
69	601 00 05 27	SCREW, 3/8-24X1.00
	601 00 23 71	OWNER'S MANUAL

ST624 Drive Components Assembly



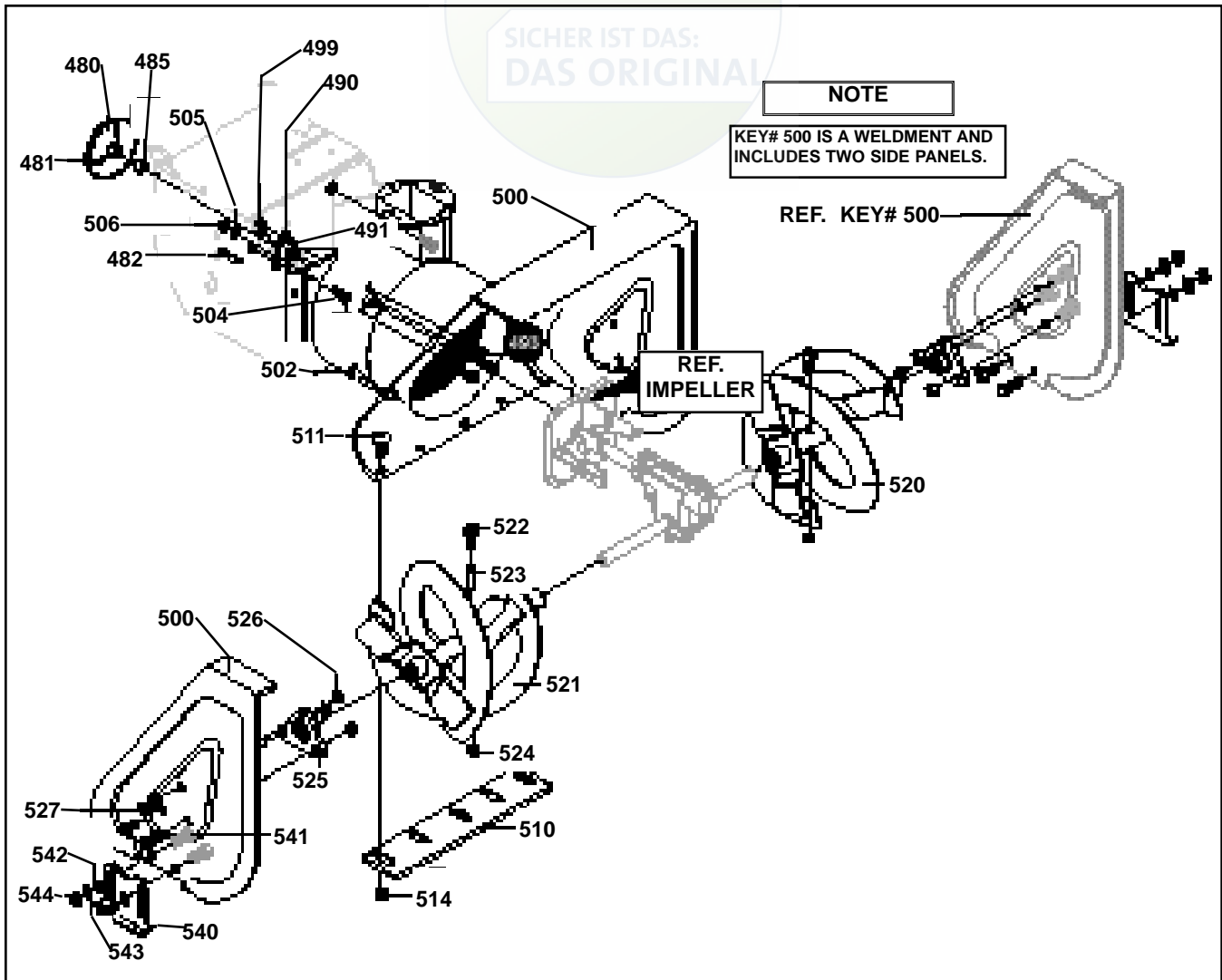
NO.	PART NO.	PART NAME	NO.	PART NO.	PART NAME
190	601 00 14 66	LEVER, ASSY TRCTN	230	601 00 14 79	BEARING & RETAINER
191	601 00 14 47	BEARING, FLANGE	231	601 00 05 19	SCREW, 5/16-18X .50
192	601 00 09 30	PIN, COTTER	232	601 00 00 23	WASHER, .328X.60X.09
193	601 0014 67	SPRING, RETURN	235	601 00 14 84	WASHER, .502X .75X.0605
195	601 00 14 68	LEVER, SPRING	240	601 00 23 22	HEX, ASSY#40-8T
196	601 00 13 74	SCREW, 1/4-20X .63	243	601 00 20 33	RING, RETEX
198	601 00 23 18	NUT, 1/4-20 REGHEX	244	601 00 14 46	FLATWASHER,
210	601 00 20 31	DISC, ASSY	245	601 00 17 41	BEARING, TRUNION
211	601 00 14 70	ZERK, GREASE	246	601 00 14 83	WHEEL, ASSY FRICTION
215	601 00 14 71	SHAFT, HEX TRACTION	247	601 00 13 74	SCREW, 1/4-20X .63
216	601 00 14 72	BEARING, TRUNION	249	601 00 17 90	NUT, 1/4-20 HEXKEPS
217	601 0014 46	FLATWASHER,	250	601 00 14 84	WASHER, .502X .75X.0605
221	601 00 14 74	RING, RETEX	255	601 00 14 79	BEARING & RETAINER
222	601 0014 75	FLATWASHER,	256	601 00 05 19	SCREW, 5/16-18X .50
223	601 00 05 39	BEARING, BALL	257	601 00 00 23	WASHER, .328X.60X.09
224	601 00 14 76	KEY, SQUARE	270	601 00 14 79	BEARING & RETAINER
225	601 00 14 77	PULLEY, V3L 6.50X .56	271	601 00 05 19	SCREW, 5/16-18X .50
226	601 00 14 78	WASHER, WAVE	275	601 00 23 86	JACK, ASSY#41-36T&8T
227	601 00 23 21	FLATWASHER,	276	601 00 14 79	BEARING & RETAINER
228	601 00 00 14	WASHER, .263X.49X.07	277	601 00 05 19	SCREW, 5/16-18X .50
229	601 00 00 68	SCREW, 1/4-20X .75 HHC	278	601 00 14 86	CHAIN, ROLLER #42 X

ST624 Gear Case Assembly



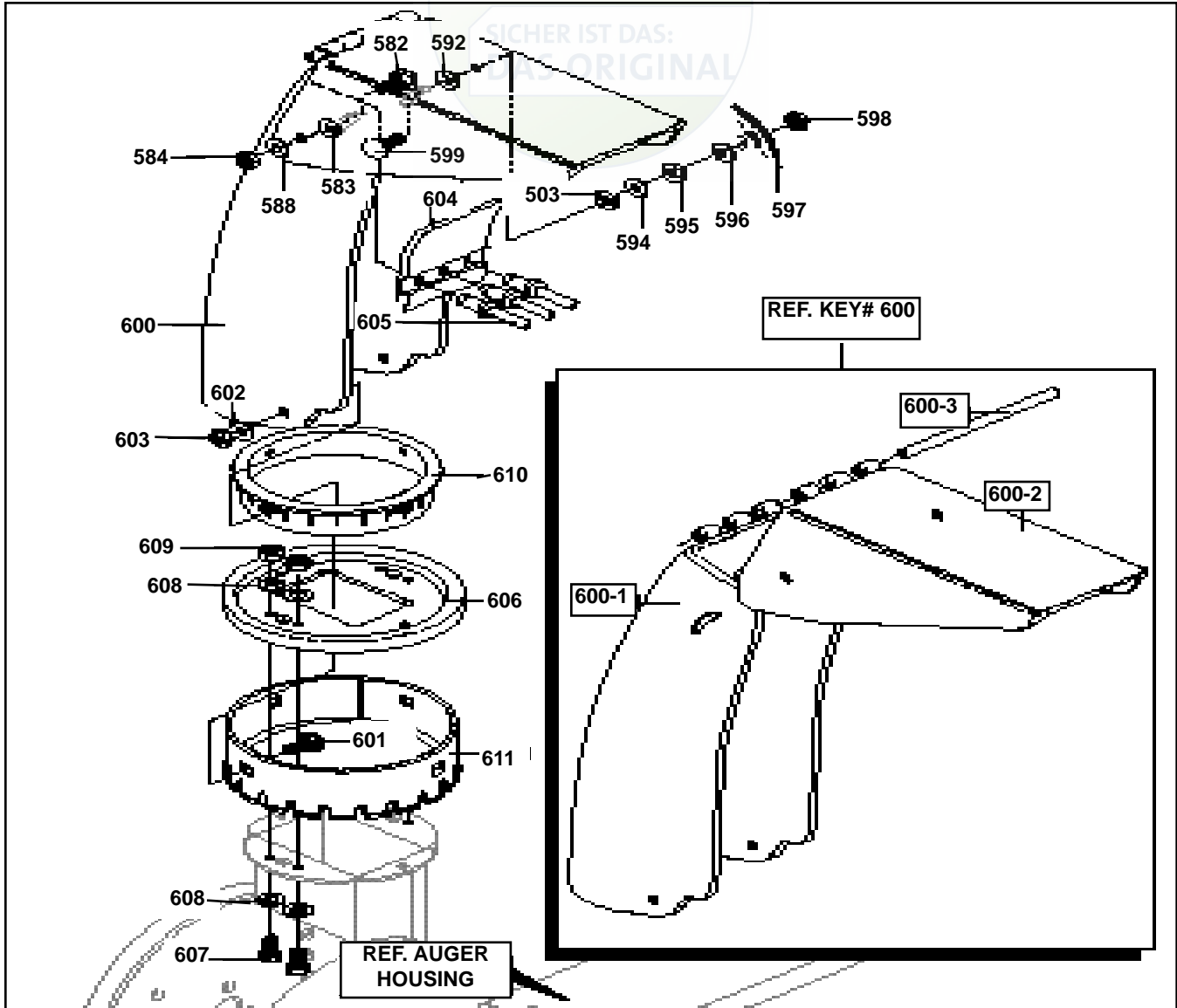
REF NO.	PART NO.	PART NAME	REF NO.	PART NO.	PART NAME
300	601 00 21 03	CASE, GEAR RH	322	601 00 21 12	COLLAR, THRUST
301	601 00 21 04	CASE, GEAR LH	323	601 00 10 54	PIN, SPRING
303	601 00 23 45	SCREW, 1/4-20X.75	324	601 00 23 26	WASHER, FLAT
304	601 00 08 27	NUT, 1/4-20 WDFL	325	601 00 15 01	BEARING, ROLL
305	601 00 17 90	NUT, 1/4-20 HEXKEPS	326	601 00 21 06	BEARING, FLANGE
306	601 00 21 05	SCREW, 3/8-16X.50	327	601 00 18 66	SEAL, OIL
310	601 00 18 66	SEAL, OIL	340	601 00 23 46	IMPELLER, ASSY
311	601 00 21 06	BEARING, FLANGE	341	601 00 10 54	PIN, SPRING
312	601 00 23 26	WASHER, FLAT			
313	601 00 23 70	SHAFT, AUGER			
314	601 00 21 08	GASKET, GEAR CASE			
315	601 00 21 09	WORM GEAR			
316	601 00 21 10	KEY, WDRF #61			
320	601 00 05 67	BEARING, FLANGE			
321	601 00 21 11	SHAFT, WORM IMP			

ST624 Auger Housing Assembly



REF NO.	PART NO.	PART NAME	REF NO.	PART NO.	PART NAME
480	601 00 21 14	PULLEY, V4L	520	601 00 23 67	AUGER, ASSY LH
481	601 00 23 65	SCREW, 5/16-18X.63	521	601 00 23 68	AUGER, ASSY RH
482	601 00 15 07	KEY, SQUARE	522	601 00 14 56	SCREW, 1/4-20X1.75
485	601 00 16 10	SPACER, SLEEVE	523	601 00 15 17	SPACER, SLEEVE
490	601 00 15 09	RETAINER, BALL	524	601 00 23 18	NUT, 1/4-20 REGHXCTRLK
491	601 00 05 39	BEARING, BALL	525	601 00 21 22	FLANGE BEARING
493	601 00 00 73	SCREW, 5/16-18X .75	526	601 00 21 23	NUT, 5/16-18 HXWDFLLK
499	601 00 20 36	NUT, 5/16-18	527	601 00 21 24	SCREW, 5/16-18X .75
500	601 00 23 66	HOUSING, ASSY	540	601 00 24 23	SKID, HEIGHT ADJUST
502	601 00 10 04	RATCHET FASTENER	541	601 00 14 11	BOLT, 5/16-18X .75
504	601 00 20 61	SCREW, 3/8-16X .75 HHC	542	601 00 00 19	FLATWASHER.344X.69X.065
505	601 00 00 15	WASHER, REGSPTLK	543	601 00 00 23	WASHER, .328X.60X.09
506	601 00 00 60	NUT, 3/8-16	544	601 00 00 12	NUT, 5/16-18 REGHEX
510	601 00 24 22	SCRAPER BLADE			
511	601 00 23 41	BOLT, 1/4-20X.75 CARR.			
514	601 00 23 42	NUT, 1/4-20			

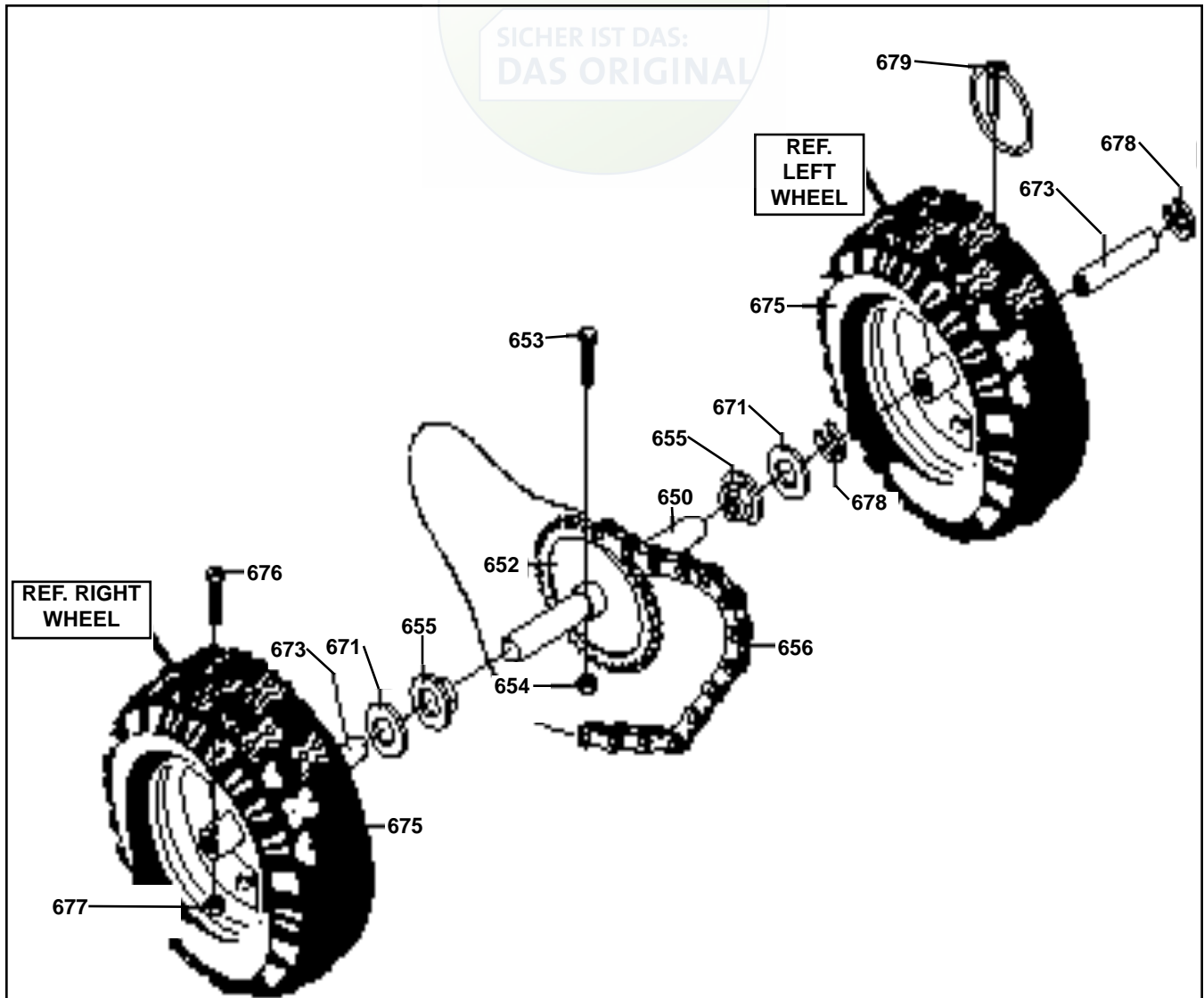
ST624 Discharge Chute Assembly



REF NO.	PART NO.	PART NAME
582	601 00 14 11	Bolt, 5/16-18x.75
583	601 00 21 26	Washer,Pl.438x.75x.064
584	601 00 14 64	Nut, 5/16-18 Reghexctrk
588	601 00 15 24	Washer, .315x.75x.064
592	601 00 21 26	Washer,Pl.438x.75x.064
593	601 00 15 24	Washer, .315x.75x.064
594	601 00 00 19	Flatwasher.344x.69x.065
595	601 00 00 23	Washer, .328x.60x.09
596	601 00 00 19	Flatwasher.344x.69x.065
597	601 00 06 84	Knob, T
598	601 00 00 12	Nut, 5/16-18 Reghex
599	601 00 08 99	Bolt, Carr. 5/16-18x1.00
600	601 00 23 36	Chute Assembly
600-1	601 00 23 37	Lower Chute

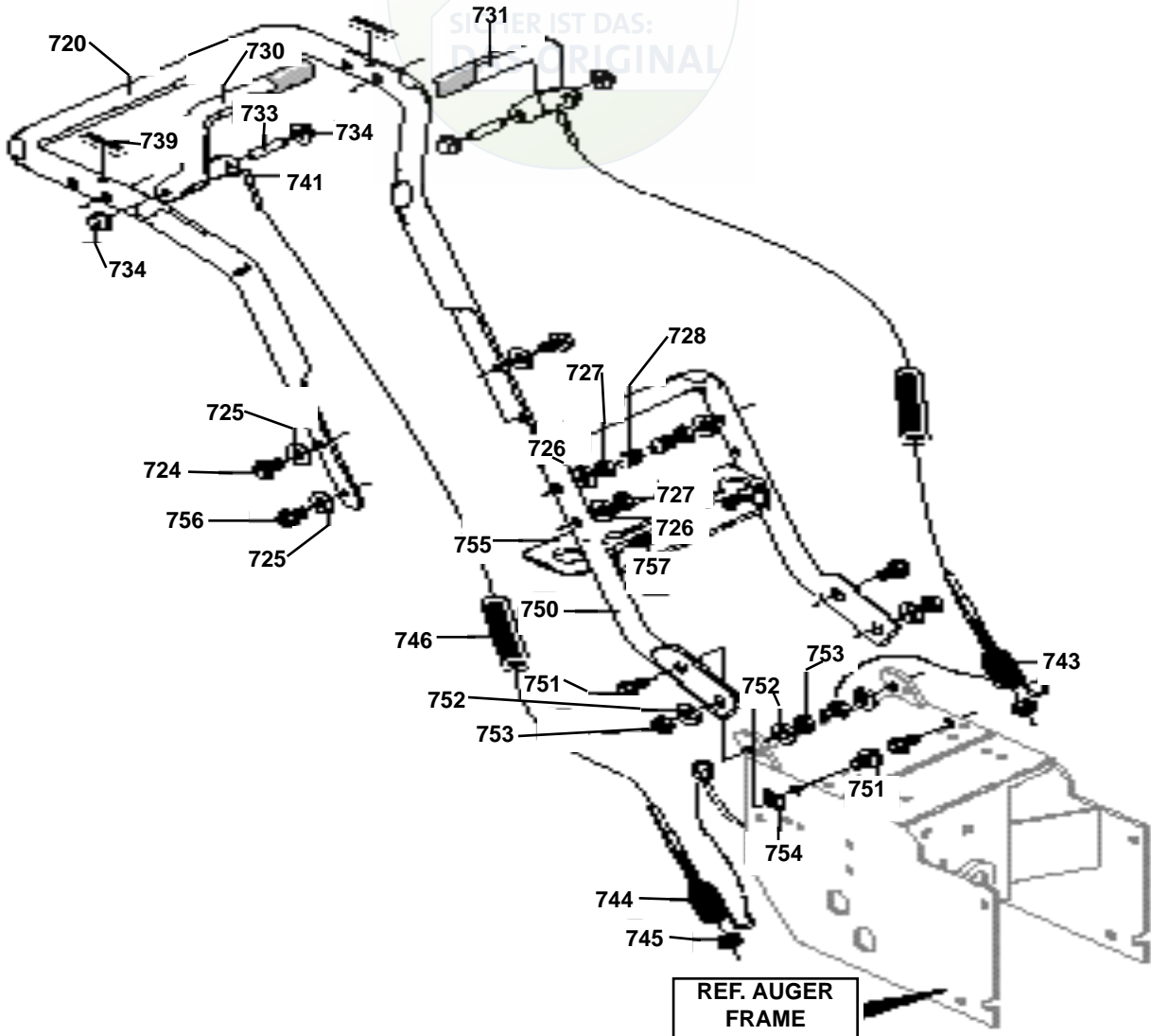
REF NO.	PART NO.	PART NAME
600-2	601 00 21 29	Upper Chute
600-3	601 00 21 30	Hinge Pin
601	601 00 20 40	Bolt, 5/16-18x1.00
602	601 00 00 19	Flatwasher,.344x.69x.065
603	601 00 14 64	Nut, 5/16-18 Hexnyl
604	601 00 23 64	Flap, Chute inset
605	601 00 23 39	Pop Rivet
606	601 00 20 41	Collar, Chute
607	601 00 00 68	Screw, 1/4-20x.75
608	601 00 00 18	Flatwasher,.281x.63x.065
609	601 00 23 18	Nut, 1/4-20 Reghexctrk
610	601 00 18 39	Retainer, Ring Inner
611	601 00 18 40	Retainer, Ring Outer

ST624 Wheels Assembly



REF NO.	PART NO.	PART NAME
650	601 00 15 33	SHAFT, AXLE
652	601 00 15 34	SPRKT & HUB
653	601 00 15 35	SCREW, 1/4-20X2.25
654	601 00 23 18	NUT, 1/4-20
655	601 00 15 36	BRNG, FL
656	601 00 14 86	CHAIN, ROLLER
671	601 00 14 38	FLATWASHER
673	601 00 17 46	BUSHING, WHEEL
675	601 00 17 47	TIRE & RIM
676	601 00 15 39	SCREW, 1/4-20X1.75 HH
677	601 00 23 18	NUT, 1/4-20 REGHXCTRLK
678	601 00 15 40	RING, RET
679	601 00 15 41	PIN, KLIK .25 X 1.38 DIA

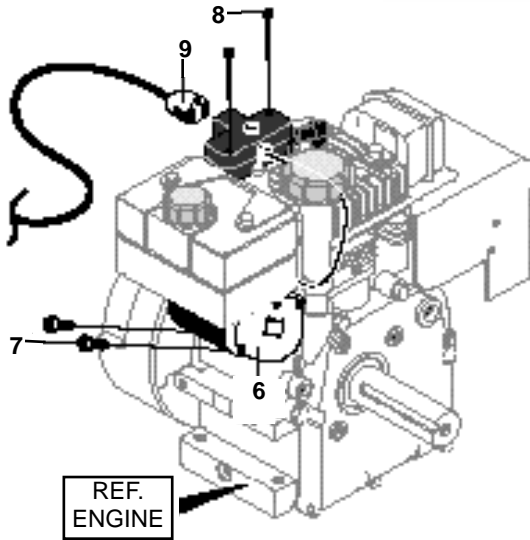
ST624 Handle Assembly



REF NO.	PART NO.	PART NAME
720	601 00 23 60	HANDLE, UPPER
724	601 00 21 34	SCREW, 5/16-18X2.75
725	601 00 00 19	WASHER, FLAT .344X .69X.065
726	601 00 00 23	WASHER, .328X.60X.09
727	601 00 00 12	NUT, 5/16-18 REGHEX
728	601 00 21 35	STOP, PLASTIC 5/16
730	601 00 21 36	KIT FOR 307974
731	601 00 21 36	KIT FOR 307974
733	601 00 23 34	PIN, PIVOT
734	601 00 05 16	NUT, PUSH ON CAP
739	601 00 15 50	BUMPER,
741	601 00 21 37	CABLE, CLUTCH
743	601 00 15 52	SPRING, TENSION
744	601 00 15 53	SPRING, AUGER CLUTCH

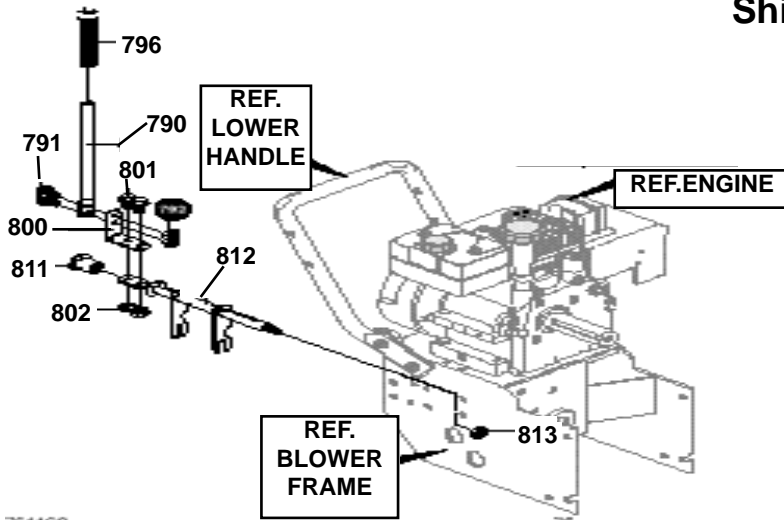
REF NO.	PART NO.	PART NAME
745	601 00 23 18	NUT, 1/4-20
746	601 00 13 95	BOOT, CLUTCH SPRING
750	601 00 23 61	HANDLE, LOWER
751	601 00 00 74	SCREW, 5/16-18X1.00
752	601 00 00 23	WASHER, .328X.60X.09
753	601 00 00 12	NUT, 5/16-18 REGHEX
754	601 00 03 55	PUSHNUT, 5/16
755	601 00 23 62	BRACKET,GEAR SELECTOR
756	601 00 23 63	SCREW, 5/16-18X.75
757	601 00 01 14	SCREW, PLASTIC

ST624 Electric Start Assembly



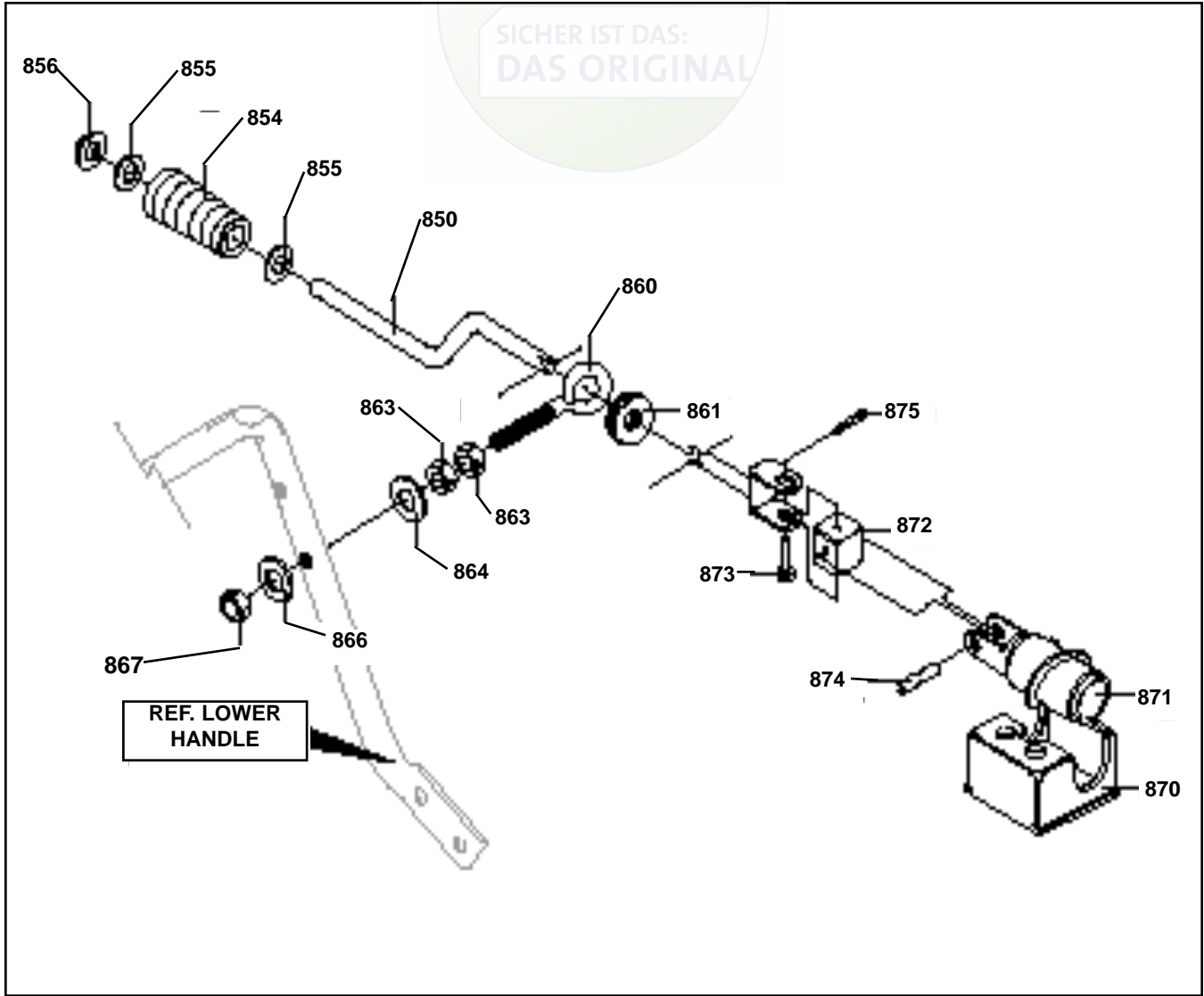
REF NO.	PART NO.	PART NAME
6	601 00 23 55	MOTOR, ELECTRIC
7	601 00 15 89	SCREW, 1/4-20 X .50
8	601 00 15 90	SCREW, #6-32 X 2.50
9	601 00 15 91	CORD, STARTER

Shift Yolk Assembly



REF NO.	PART NO.	PART NAME
790	601 00 23 56	ROD, SHIFT
791	601 00 00 68	SCREW, 1/4-20X.75
792	601 00 23 18	NUT, 1/4-20 RGHXCTRLK
796	601 00 23 57	KNOB, SLIP
800	601 00 23 58	LEVER, SPRING
801	601 00 00 68	SCREW, 1/4-20X.75
802	601 00 23 18	NUT, 1/4-20 RGHXCTRLK
811	601 00 15 64	BEARING, FLANGE
812	601 00 23 59	ROD, ASSY YOKE
813	601 00 00 60	NUT, 3/8-16 RGHXCTRLK REF

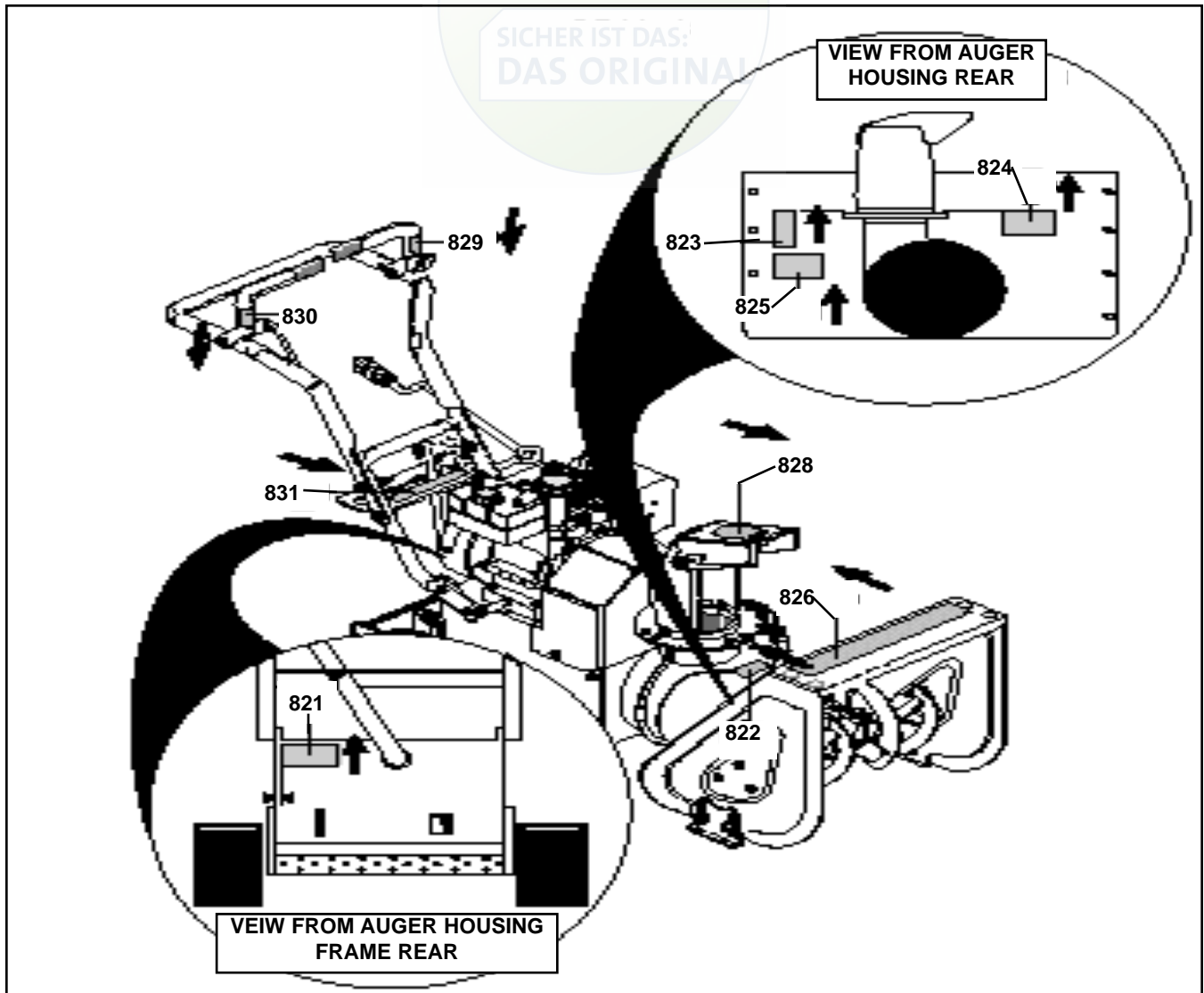
ST624 Chute Crank Assembly



REF NO.	PART NO.	PART NAME
850	601 00 17 49	CRANK, ASSY
854	601 00 20 48	HANDLE
855	601 00 20 49	WASHER, FLAT .439 X .70 X .05
856	601 00 20 50	E RING
860	601 00 15 70	BOLT, EYE
861	601 00 14 08	GROMMET, EYE BOLT
863	601 00 14 09	NUT, 3/8-16
864	601 00 00 20	WASHER, FLAT.406X .81X.065

REF NO.	PART NO.	PART NAME
866	601 00 00 20	WASHER, FLAT .406X .81X.065
867	601 00 06 53	NUT, 3/8-16
870	601 00 18 30	BRKT, WORM
871	601 00 18 31	WORM, GEAR CHUTE
872	601 00 20 53	BLOCK, UNIV PIV
873	601 00 20 54	PIN, CLEVIS
874	601 00 20 55	PIN, UNIV JOINT
875	601 00 18 35	PIN, COTTER

ST624 Decals



REF NO.	PART NO.	PART NAME
821	-	NOT A SERVICABLE PART
822	601 00 23 50	DECAL, 9" IMPELLER
823	601 00 23 32	DECAL, DANGER CHUTE
824	601 00 23 29	DECAL, DANGER AUGER
825	601 00 23 31	DECAL, DANGER
826	601 00 23 51	DECAL, ST624E
828	601 00 20 97	DECAL, CROWN
829	601 00 23 52	DECAL, TRACTION DRIVE ENG.
830	601 00 23 53	DECAL, AUGER DRIVE ENGAGE
831	601 00 23 54	DECAL, GEAR SELECTOR