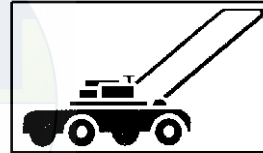


For Husqvarna Parts Call 606-678-9623 or 606-561-4983

 **Husqvarna**



**13**

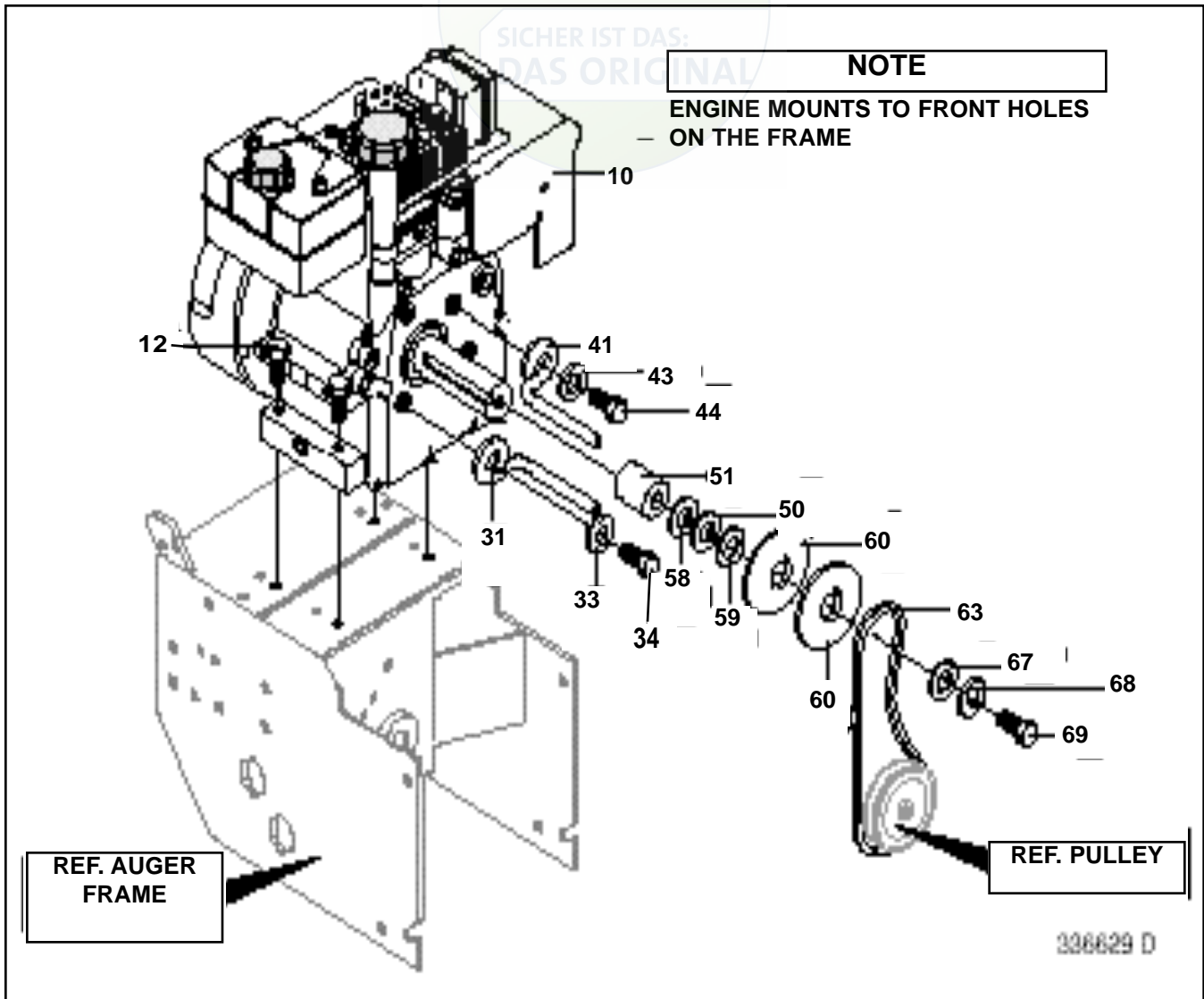
ST522H



**1.1997**  
**PARTS LISTING**

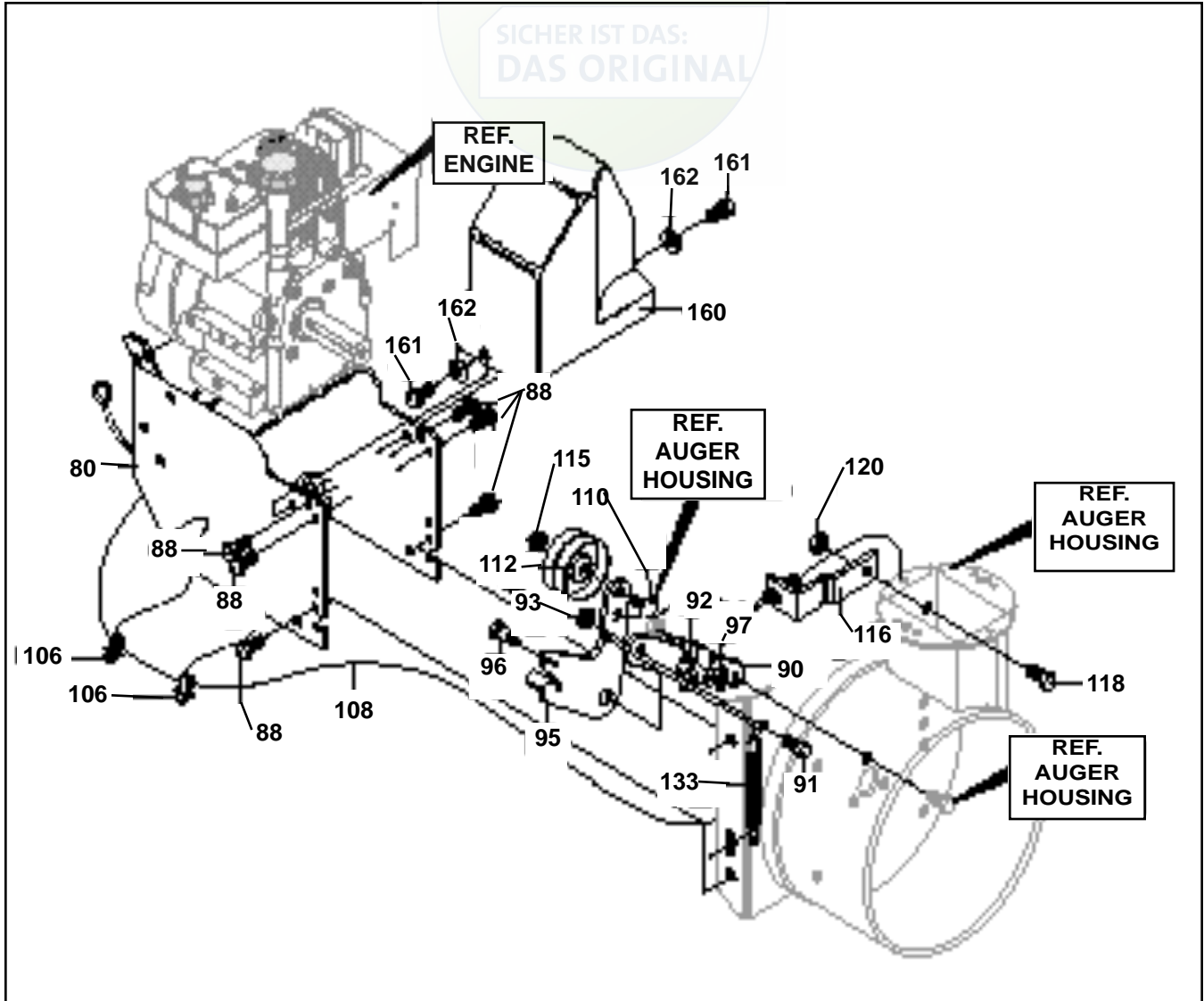
**601 00 23-27**

**ST522 Engine Assembly**



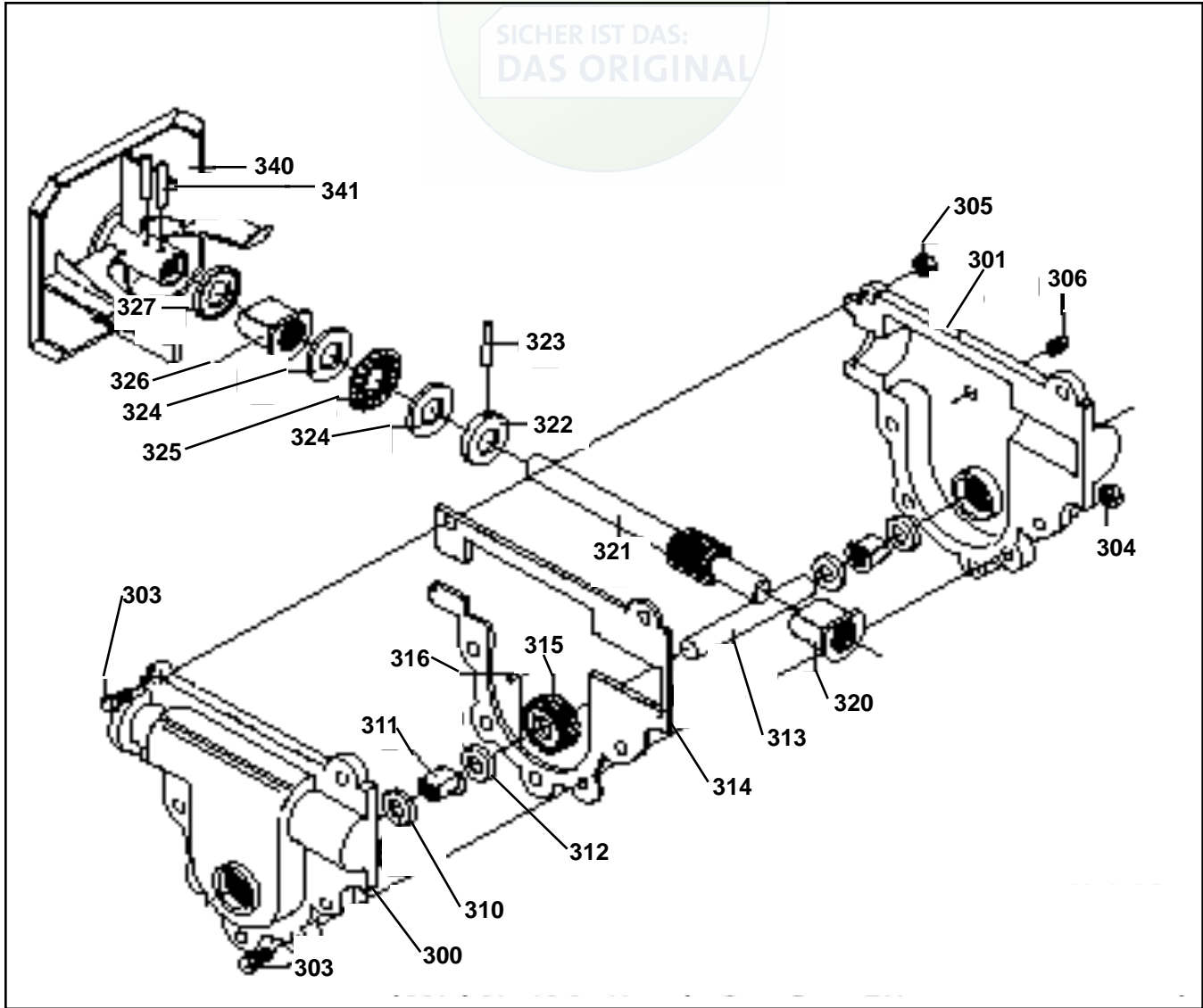
REF NO.	PART NO.	PART NAME
10	Engine	See Engine Manual
12	601 00 21 62	Screw, 5/16-18
31	601 00 14 32	Guide, Rod Belt, RH
33	601 00 00 23	Washer, .328x.60x.09
34	601 00 14 43	Screw, 5/16-24x.625
41	601 00 14 32	Guide, Rod Belt RH
43	601 00 00 23	Washer, .328x.60x.09
44	601 00 14 43	Screw, 5/16-24x.625
51	601 00 21 45	Spacer, Slev .75x1.25x1.32
58	601 00 14 38	Flatwasher .765x1.12x.06
59	601 00 20 20	Spacer, Slev .753x1.12x.38
60	601 00 20 21	Pulley, Eng V4L 3.00x.75
63	601 00 21 48	Belt, V 4L 35.23Lg.
67	601 00 14 41	Flatwasher
68	601 00 00 15	Washer, Regsptlk
69	601 00 05 27	Screw, 3/8-24x1.00
	601 00 23 27	Owner's Manual

**ST522 Frame Components Assembly**



REF NO.	PART NO.	PART NAME	REF NO.	PART NO.	PART NAME
80	601 00 21 00	Frame Assy	106	601 00 20 27	Clip, Cable
88	601 00 05 20	Screw, 5/16-18x.75	108	601 00 24 21	Cable, Auger Clutch Ctrl
90	601 00 23 47	Plate-Clutch Arm	110	601 00 17 40	Screw, 3/8-16x1.25
91	601 00 20 61	Screw, 3/8-16x.75	112	601 00 14 54	Pulley, Idler
92	601 00 00 15	Washer, Regsptk	115	601 00 13 35	Nut, 3/8-16 Hexctrlkjam
93	601 00 22 97	Nut, 3/8-16	116	601 00 21 02	Bracket, Compact Cable
95	601 00 23 48	Arm-Clutch	118	601 00 20 16	Screw, 3/8-16x1.25
96	601 00 23 49	Bolt, .497x.138 3/8-16	120	601 00 00 60	Nut, 3/8-16 Reghexctrlk
97	601 00 00 60	Nut, 3/8-16 Reghexctrlk	133	601 00 10 89	Spring, Idler
106	601 00 20 27	Clip, Cable	160	601 00 14 65	Cover, Belt w/Storage
108	601 00 24 21	Cable, Auger Clutch Ctrl	161	601 00 14 45	Screw, 1/4-20x.63
110	601 00 17 40	Screw, 3/8-16x1.25	162	601 00 00 18	Flatwasher, .281x.63x.065

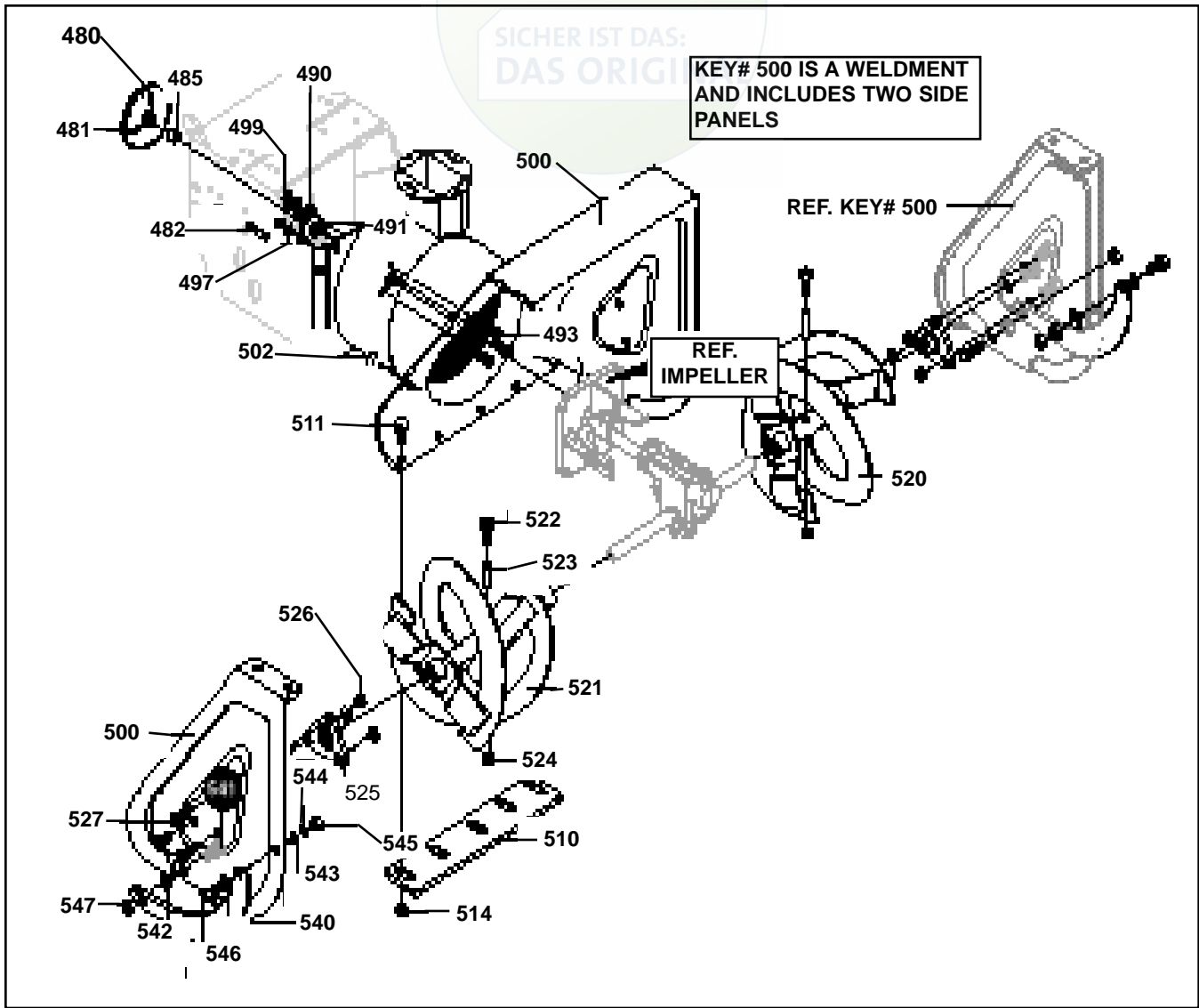
**ST522 Gear Case Assembly**



REF NO.	PART NO.	PART NAME
300	601 00 21 03	Gear Case, RH
301	601 00 21 04	Gear Case, LH
303	601 00 23 45	Screw, 1/4-20x.75
304	601 00 08 27	Nut, 1/4-20
305	601 00 17 90	Nut, 1/4-20 Hexkeps
306	601 00 21 05	Screw, 3/8-16x.50
310	601 00 18 66	Seal, Oil
311	601 00 21 06	Bearing, Flange
312	601 00 23 26	Flatwasher, .752x1.24x.093
313	601 00 21 07	Shaft, Auger Output
314	601 00 21 08	Gasket, Gear Case
315	601 00 21 09	Gear, Worm
316	601 00 21 10	Key, Woodruff

REF NO.	PART NO.	PART NAME
320	601 00 05 67	Bearing, Flange
321	601 00 21 11	Shaft, Worm Imp Input
322	601 00 21 12	Collar, Thrust .753x1.24x.50
323	601 00 10 54	Pin, Spring
324	601 00 23 26	Flatwasher, .752x1.24x.093
325	601 00 15 01	Bearing, Roll
326	601 00 21 06	Bearing, Flange
327	601 00 18 66	Seal, Oil
340	601 00 23 46	Impel, Assy
341	601 00 10 54	Spring Pin

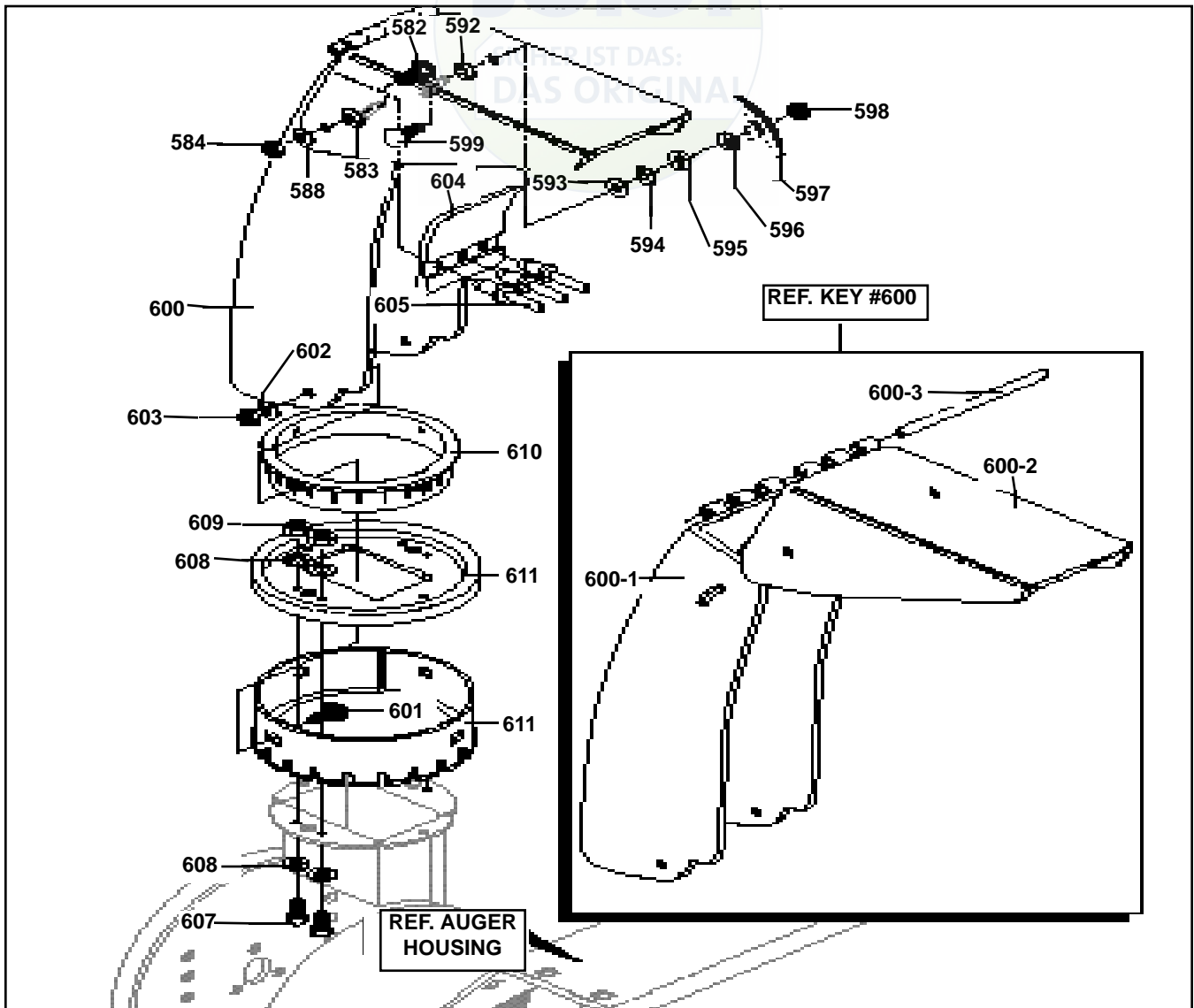
**ST522 Auger Housing Assembly**



REF NO.	PART NO.	PART NAME
480	601 00 21 14	Pulley, V4L
481	601 00 21 16	Screw, 5/16-18x.50
482	601 00 15 07	Key, Square
485	601 00 16 10	Spacer, Slve .676x1.00x.53
490	601 00 15 09	Retainer, Ball Bearing
491	601 00 05 39	Bearing, Ball
493	601 00 00 73	Screw, 5/16-18x.75
497	601 00 00 23	Washer, .328x.60x.09
499	601 00 00 12	Nut, 5/16-18
500	601 00 23 40	Housing, Assy
502	601 00 10 04	Ratchet Fastener
510	601 00 21 18	Blade, Scraper 22"
511	601 00 23 41	Carr. Bolt, 1/4-20x.75
514	601 00 23 42	Nut, 1/4-20 Whiz-loc
520	601 00 23 43	Auger, Assy LH

REF NO.	PART NO.	PART NAME
521	601 00 23 44	Auger, Assy RH
522	601 00 08 97	Screw, 1/4-20x1.75
523	601 00 15 17	Spacer, Slve .250x.47x.20
524	601 00 23 18	Nut, 1/4-20
525	601 00 21 22	Bearing, Flange
526	601 00 21 23	Nut, 5/16-18
527	601 00 21 24	Screw, 5/16-18x.75
540	601 00 21 25	Skid
541	601 00 14 11	Bolt, 5/16-18x.75
542	601 00 06 69	Washer, Flat
543	601 00 00 19	Washer, Flat
544	601 00 00 23	Washer, Splitlock
545	601 00 00 12	Nut, 5/16-18
546	601 00 00 73	Screw, 5/16-18 x .75
647	601 00 21 23	Nut, 5/16-18, HXWDFLLK

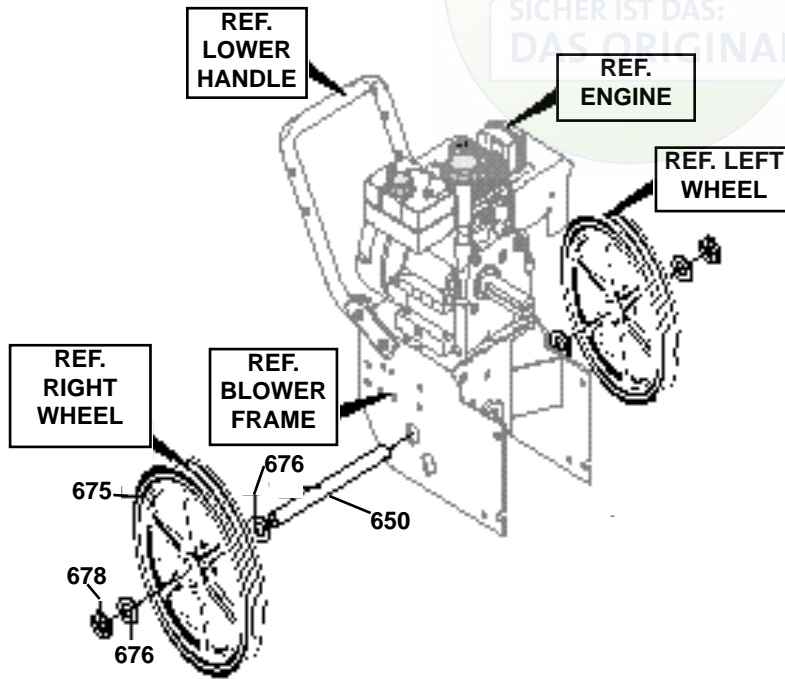
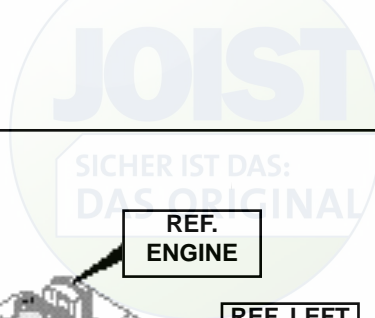
**ST522 Chute Assembly**



REF NO.	PARTNO.	PARTNAME
582	601 00 14 11	Bolt, 5/16-18x.75
583	601 00 21 16	Washer, Pl .438x.75x.064
584	601 00 00 59	Nut, 5/16-18
588	601 00 15 24	Washer, .315x.75x.064
592	601 00 21 16	Washer, Pl .438x.75x.064
593	601 00 15 24	Washer, .315x.75x.064
594	601 00 00 19	Flatwasher .344x.69x.065
595	601 00 00 23	Washer, .328x.60x.09
596	601 00 00 19	Flatwasher .344x.69x.065
597	601 00 06 84	Knob, T
598	601 00 00 12	Nut, 5/16-18 Reghex
599	601 00 08 99	Bolt, Carr. 5/16-18x1.00
600	601 00 23 36	Chute Assembly
600-1	601 00 23 37	Lower Chute
600-2	601 00 21 29	Upper Chute
600-3	601 00 21 30	Hinge Pin

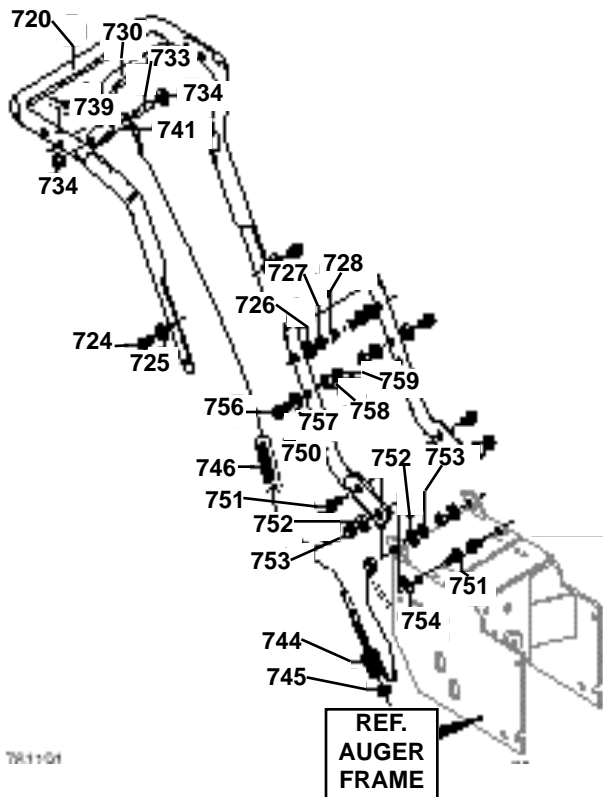
REF NO.	PARTNO.	PARTNAME
601	601 00 20 40	Bolt, 5/16-18x1.00
602	601 00 00 19	Flatwasher, .344x.69x.065
603	601 00 14 64	Nut, 5/16-18 Hexnyl
604	601 00 23 38	Flap, Chute inset Assy
605	Included in 604 assembly	
606	601 00 20 14	Collar, Chute
607	601 00 00 68	Screw, 1/4-20x.75
608	601 00 00 18	Flatwasher, .281x.63x.065
609	601 00 23 18	Nut, 1/4-20 Reghexctrlk
610	601 00 18 39	Retainer, Ring Inner
611	601 00 18 40	Retainer, Ring Outer

**ST522 Wheels Assembly**



REF NO.	PART NO.	PART NAME
650	601 00 21 31	Axle, .50x20"
675	601 00 23 33	Tire & Rim
676	601 00 14 46	Flatwasher, .53x1.00x.063
678	601 00 00 89	Ring Retaining E

**Handle Assembly**

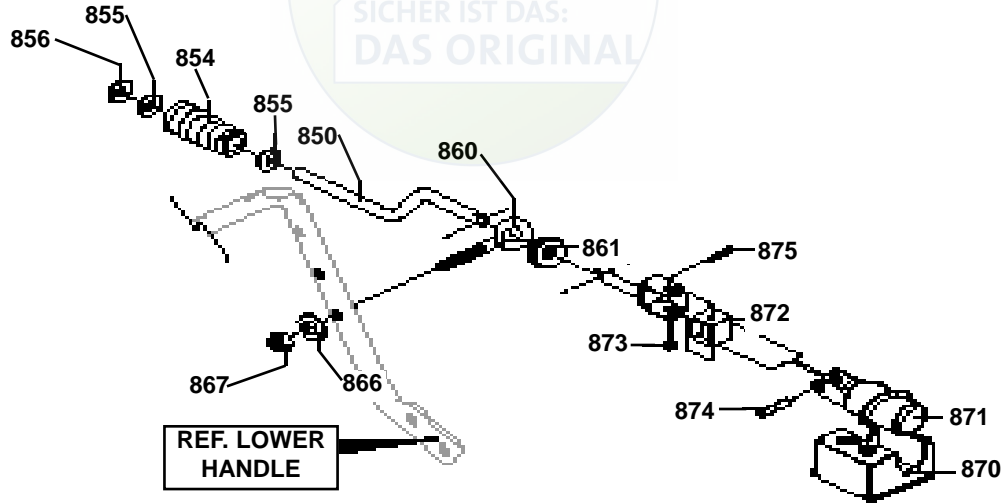


REF NO.	PART NO.	PART NAME
720	601 00 23 35	Handle, Upper
724	601 00 21 34	Screw, 5/16-18x2.75
725	601 00 00 19	Flatwasher, 344x.69x.065
726	601 00 00 23	Washer, .328x.60x.09
727	601 00 00 12	Nut, 5/16-18
728	601 00 21 35	Stop, Red Plastic
730	601 00 21 36	Kit for Handle, Assy RH
733	601 00 23 34	Pin, Clutch
734	601 00 05 16	Nut, Push on Cap
739	601 00 15 50	Bumper, Rect
741	601 00 21 37	Cable, Clutch
744	601 00 15 53	Spring, Auger Clutch
745	601 00 23 18	Nut, 1/4-20 Reghexctrlk
746	601 00 13 95	Boot, Clutch Spring
750	601 00 21 38	Handle, Lower
751	601 00 00 74	Screw, 5/16-18x1.00
752	601 00 00 23	Washer, 328x.60x.09
753	601 00 00 12	Nut, 5/16-18 Reghex
754	601 00 03 55	Push nut
756	601 00 21 39	Screw, 5/16-18x2.00
757	601 00 00 19	Flatwasher, .344x.69x.065
758	601 00 00 23	Washer, .328x.60x.09
759	601 00 00 12	Nut, 5/16-18 RegheX

TR1101



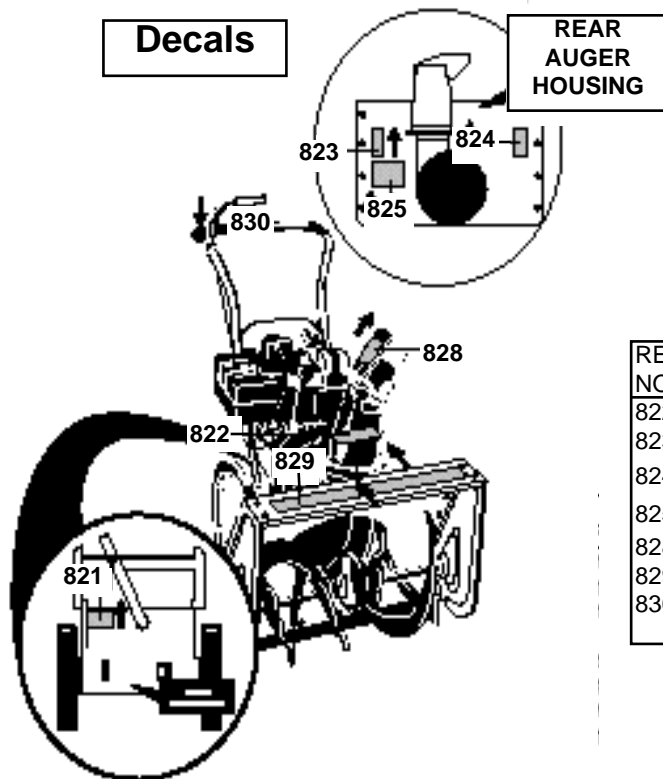
**ST522 Chute Control Rod Assembly**



REF NO.	PART NO.	PART NAME
850	601 00 17 49	Crank, Assy w/Yoke
854	601 00 20 48	Handle, Chute Crank
855	601 00 20 49	Flatwasher, .39x.70x.05
856	601 00 20 50	Ring, Ret E
860	601 00 21 40	Bolt, Eye
861	601 00 14 08	Grommet, Eye Bolt
866	601 00 00 20	Flatwasher, .406x.81x.065

REF NO.	PART NO.	PART NAME
867	601 00 06 53	Nut, 3/8-16
870	601 00 18 30	Bracket, Worm
871	601 00 18 31	Worm, Gear Chute
872	601 00 20 53	Block, Univ Piv
873	601 00 20 54	Pin, Clevis
874	601 00 20 55	Pin, Univ Joint
875	601 00 18 35	Pin, Cotter

**Decals**



REF NO.	PART NO.	PART NAME
822	601 00 23 28	Decal, 9" Impeller
823	601 00 23 32	Decal, Danger Chute
824	601 00 23 29	Decal, Danger Auger Foot
825	601 00 23 31	Decal, Dangef English
828	601 00 20 97	Decal, Husq. Crown
829	601 00 21 43	Decal, ST522H
830	601 00 00 68	Decal, Auger DriveEngage