

For Husqvarna Parts Call 606 678 9623 or



**Husqvarna**

61

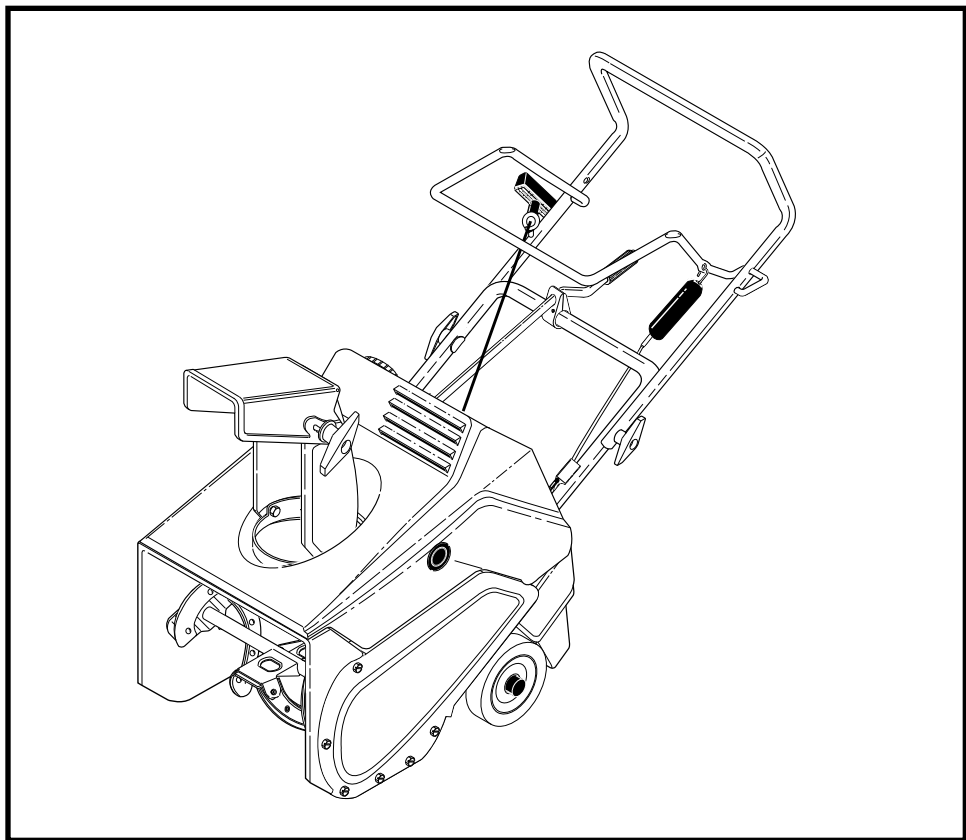
4983



13

SICHER IST DAS ORIGINAL

# ST521E



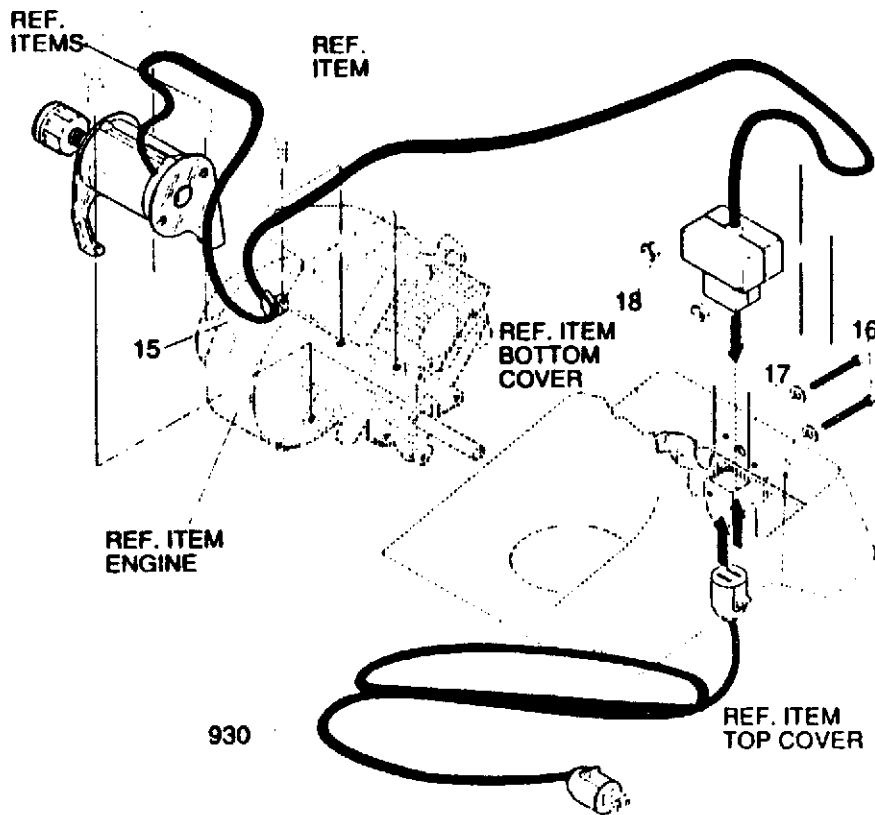
## 1.1998

Spare Parts

[www.mymowerparts.com](http://www.mymowerparts.com)

**21" SNOW THROWER MODEL ST521E**

**ELECTRIC START ASSEMBLY**



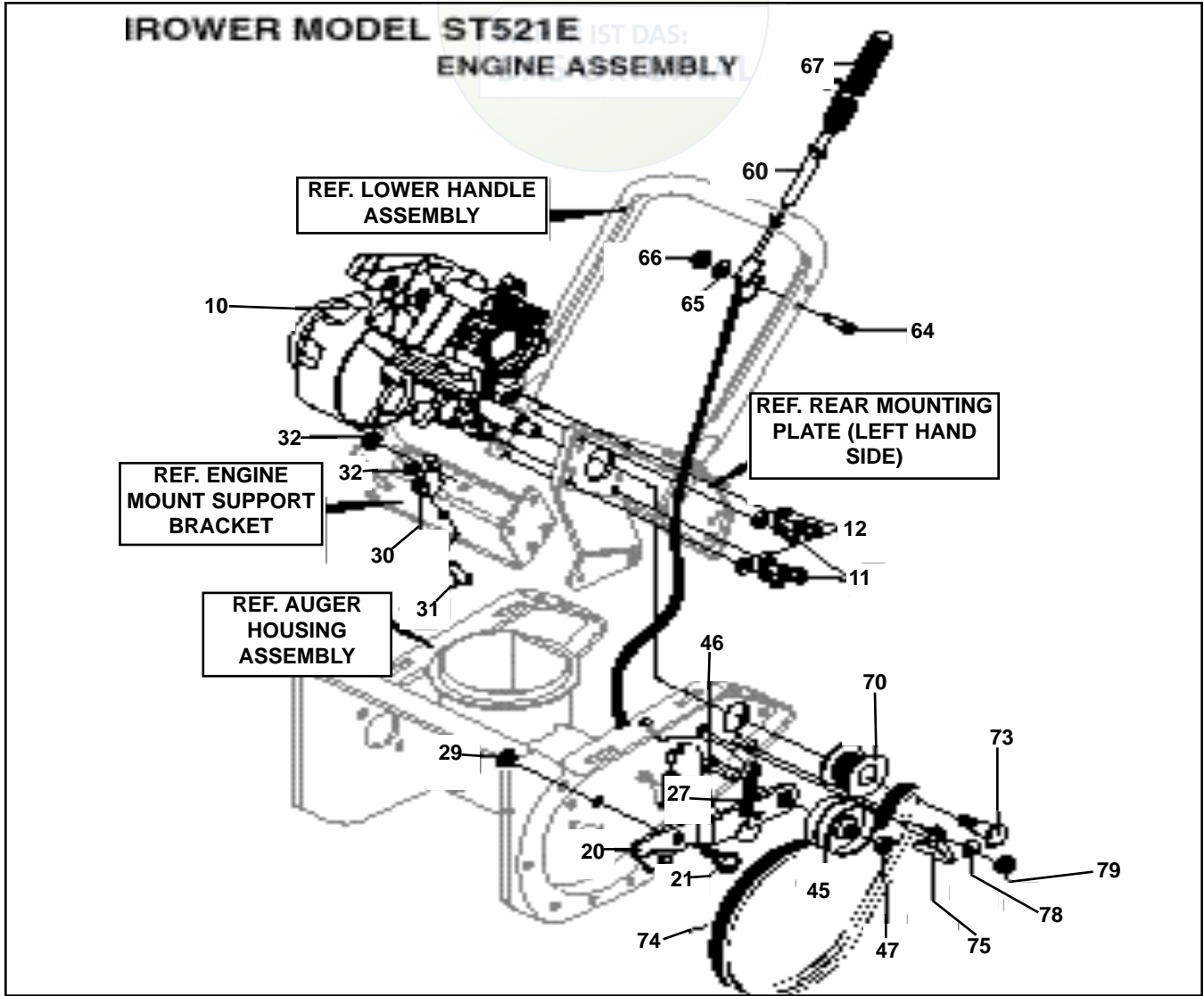
REF NO.	PART NO.	PART NAME
15	601 00 06 31	RETAINER, WIRE
16	601 00 14 18	SCREW, #8-32X3.00
17	601 00 05 33	WASHER, FLAT .188X .38X.040
18	601 0014 19	NUT, #8-32 HEXKEPS
930	601 00 14 20	EXTENSION CORD 10FT.
	601 00 24 16	OWNER'S MANUAL ENG/FR

313974A

**Note: Always use original equipment parts. Use of service/replacement parts other than original parts may void your warranty.**

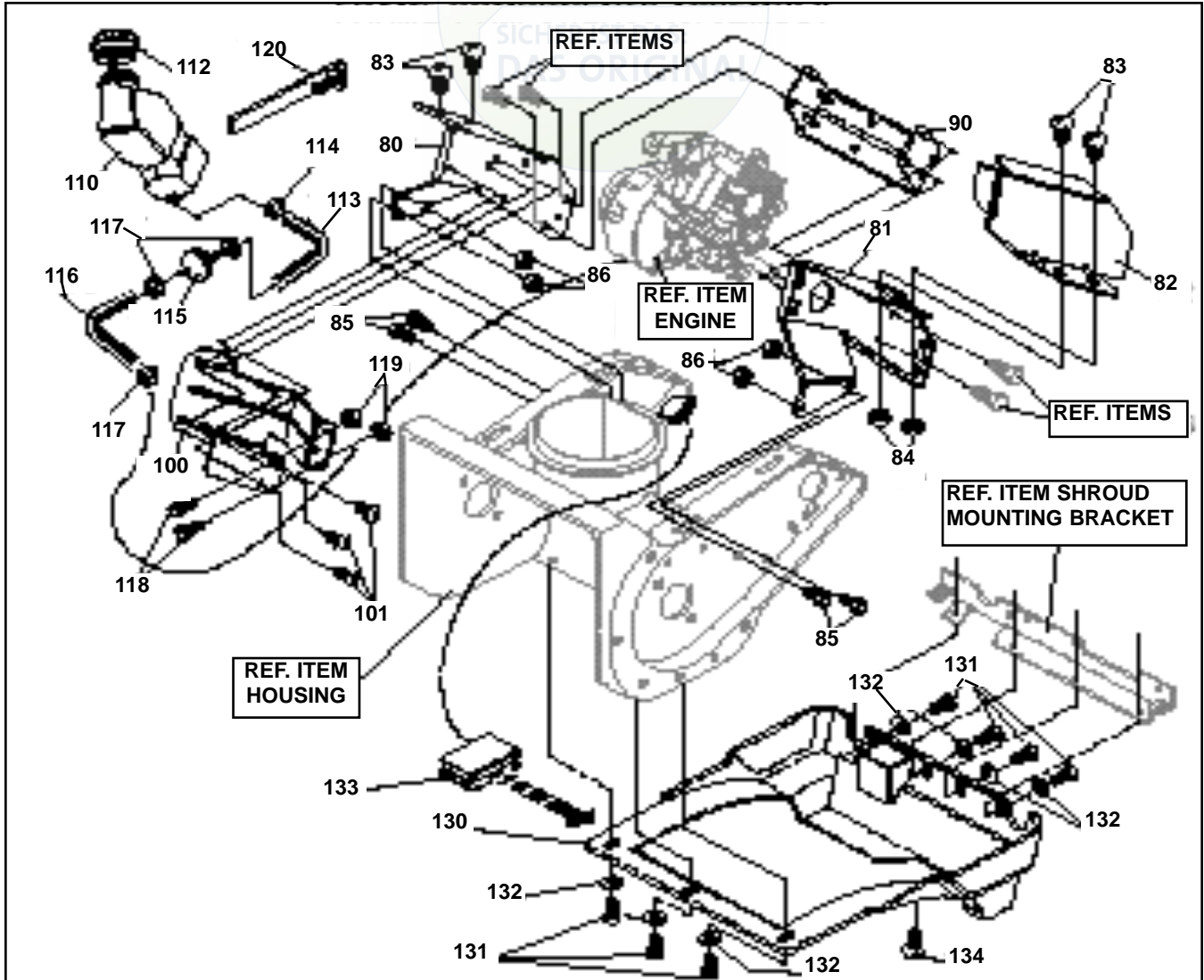
**All unnumbered items are interchangeable with opposite side**

ST521 Engine Assembly



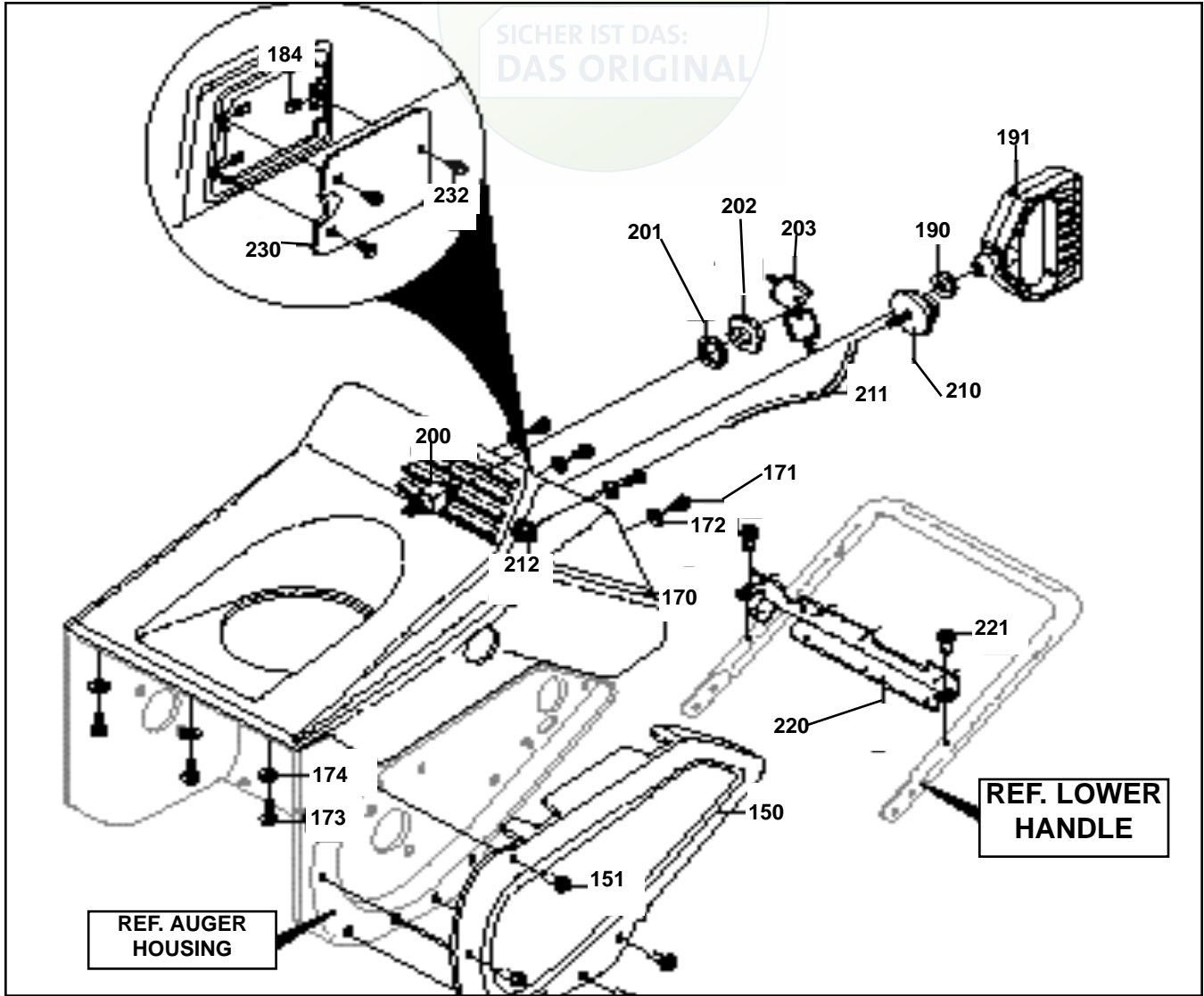
REF NO.	PART NO.	PART NAME
10	-ENGINE 5.0HP	(SEE ENGINE MANUAL)
11	601 00 00 73	SCREW, 5/16-18X .75
12	601 00 00 23	WASHER
20	601 00 21 56	BRKT, IDLER ARM
21	601 00 13 29	BOLT, .5/16-18
27	601 00 20 60	SPRING, IDLER BRAKE
29	601 00 00 59	NUT, 5/16-18 REGHEXCTRLK
30	601 00 21 57	SUPPORT, ENGINE
31	601 00 16 40	SCREW, 5/16-18X .50
32	601 00 00 59	NUT, 5/16-18 REGHEXCTRLK
45	601 00 13 33	PULLEY, IDLER
46	601 00 05 51	BOLT, 3/8-16X1.50
47	601 00 13 35	NUT, 3/8-16 HXCTRLKJAM
60	601 00 17 57	CABLE, DRIVE CONTROL
64	601 00 17 58	SCREW, 1/4-20X1.50
65	601 00 00 18	WASHER, FLAT .281X .63X.065
66	601 00 23 18	NUT, 1/4-20 REGHEXCTRLK
67	601 00 17 59	COVER, CABLE SPRING
70	601 00 21 58	PULLEY, 10-RIB POLY-V
73	601 00 20 80	BOLT, SHOULDER .625 X .282
74	601 00 20 81	BELT,10 RIB POLY-V
75	601 00 20 82	GUIDE, BELT
78	601 00 21 59	WASHER, FLAT .312X .73X.065
79	601 00 00 59	NUT, 5/16-18 REGHEXCTRLK

ST521 Frame Assembly



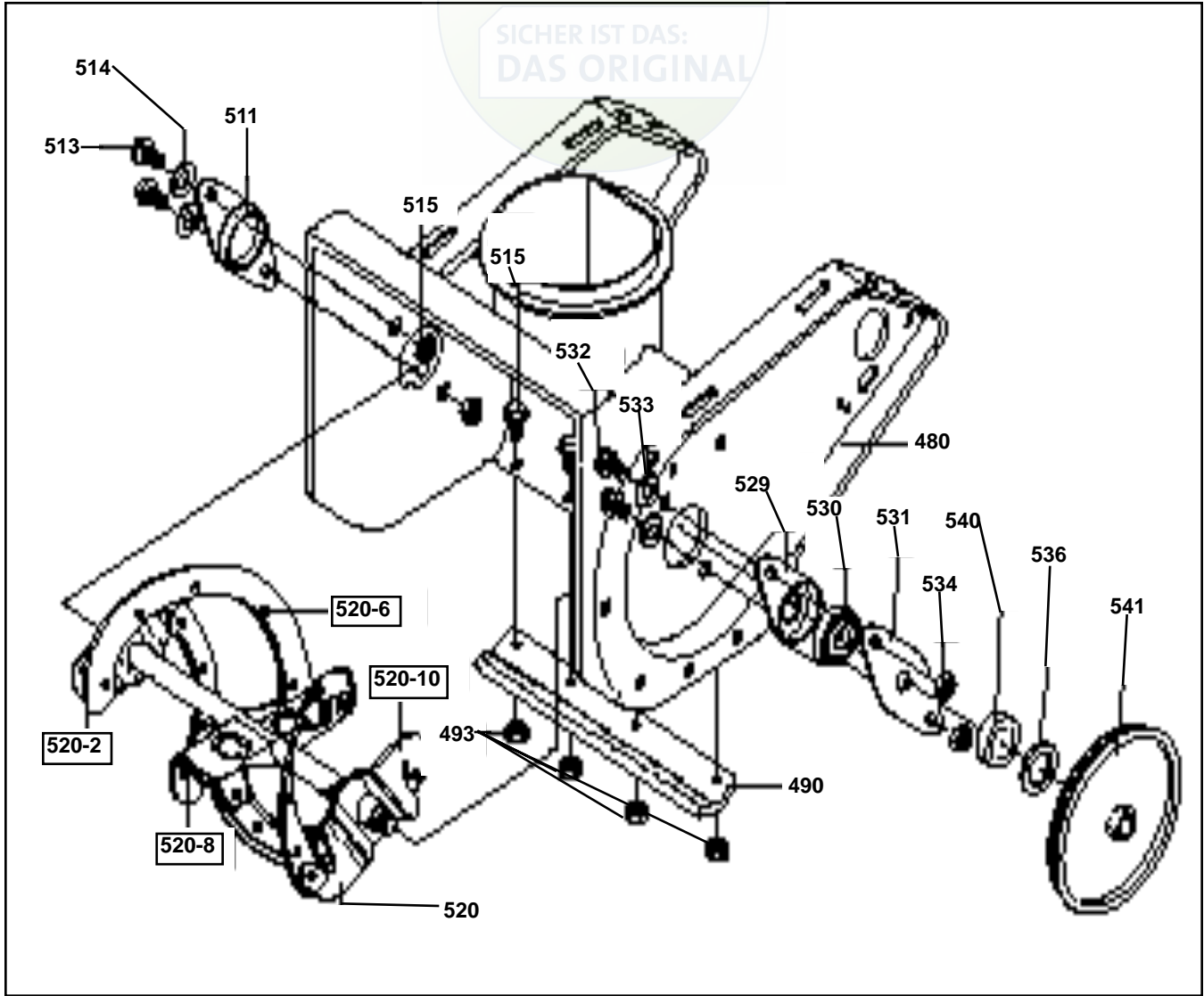
REF. NO.	PART NO.	PART NAME
80	601 00 17 67	PLATE, REAR RH
81	601 00 17 68	PLATE, REAR LH
82	601 00 17 69	SHIELD, ENGINE HEAT
83	601 00 17 70	SCREW, 1/4-20X .63
84	601 00 08 27	NUT, 1/4-20 WDFL
85	601 00 16 40	SCREW, 5/16-18X .50
86	601 00 00 59	NUT, 5/16-18
90	601 00 17 71	SUPPORT, FRAME
100	601 00 17 72	BRACKET, GAS TANK
101	601 00 17 92	SCREW, #10-24X .63
110	601 00 17 74	TANK, FUEL
112	601 00 17 75	CAP,FUEL
113	601 00 17 76	TUBING, .GAS LINE
114	601 00 05 54	CLAMP,HOSE
115	601 00 17 77	FILTER, IN-LINE
116	601 00 17 78	TUBING, .GAS LINE
117	601 00 17 79	CLAMP, HOSE
118	601 00 13 66	SCREW, 10-24X .50
119	601 00 13 67	NUT, #10-24
120	601 00 17 80	CLAMP, WORM
130	601 00 17 81	COVER, BOTTOM
131	601 00 17 92	SCREW, #10-24X .63
132	601 00 17 03	WASHER, FLAT .203X .56X.040
133	601 00 17 83	CLIP, "S" TINNEMAN
134	601 00 08 83	SCREW, 10-16X .50

ST521 Belt Cover Assembly



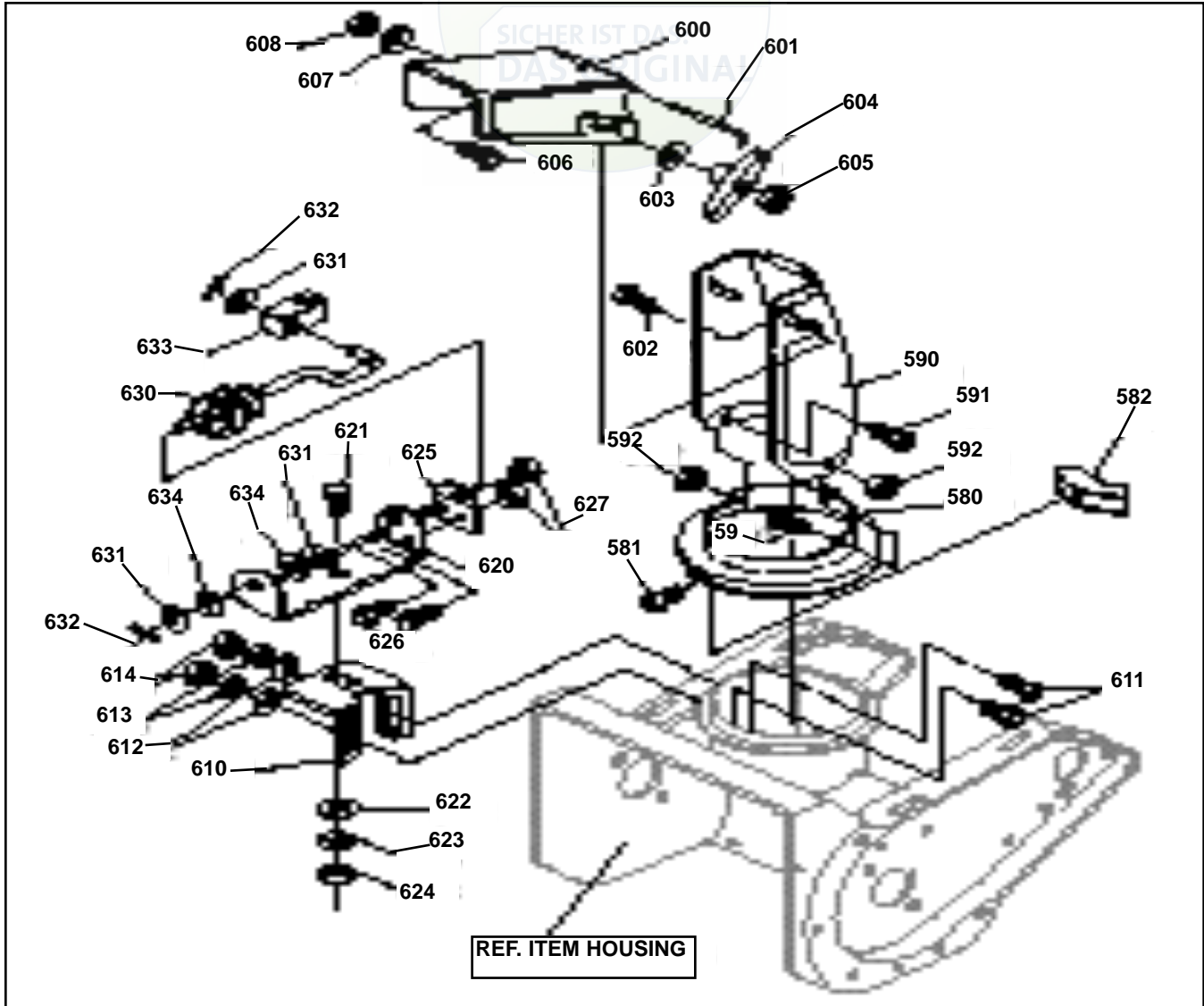
REF NO.	PART NO.	PART NAME
150	601 00 17 84	COVER, BELT 2CY
151	601 00 05 14	SCREW, 10-24X.38 SLHWATAP
170	601 00 17 85	COVER, TOP
171	601 00 17 92	SCREW, #10-24X .63
172	601 00 17 03	WASHER, FLAT .203X .56X.040
173	601 00 17 87	SCREW, #10-14X.63
174	601 00 00 17	WASHER, FLAT .250X .56X.049
184	601 00 17 88	NUT, TINN "U" TYPE
190	601 00 13 55	GROMMET & WASHER
191	601 00 17 89	GRIP, MITTEN
200	601 00 13 58	SWITCH, IGNITION
201	601 00 13 59	WASHER,REGINTLK
202	601 00 13 60	NUT, 5/8-32
203	601 00 13 61	2 KEYS & RING
210	601 00 13 62	PRIMER, ENGINE
211	601 00 13 63	HOSE, PRIM
212	601 00 17 90	NUT, 1/4-20
220	601 00 17 91	BRACKET, SHROUD
221	601 00 17 92	SCREW, #10-24X .63
230	601 00 17 93	DOOR
232	601 00 17 94	SCREW #10-16X.75

**ST521 Auger And Housing Assembly**



REF NO.	PART NO.	PART NAME
480	601 00 20 85	HSNG, ASSY
490	601 00 17 96	BLADE, SCRAP
492	601 00 17 97	SCREW, 1/4-20X .63
493	601 00 08 27	NUT, 1/4-20 WDFL MAC-LOCK
511	601 00 21 53	BEARING, FLANGE
513	601 00 13 80	SCREW, 1/4-20X .88
514	601 00 00 18	WASHER, FLAT .281X .63X.065
515	601 00 08 27	NUT, 1/4-20 WDFL MAC-LOCK
520	601 00 17 98	AUGER, ASSY
520-2	601 00 19 35	BLADE, AUGER
520-6	601 00 19 34	RIVET, OVSET
520-8	601 00 24 14	BLADE CENTER
520-10	601 00 17 98	AUGER & BLADE ASSY
529	601 00 20 86	RETAINER, BEARING
530	601 00 05 39	BRNG, BALL
531	601 00 13 81	PLATE, RETAINING BEARING
532	601 00 00 67	SCREW, 1/4-20X .62
533	601 00 00 18	WASHER, FLAT .281X .63X.065
534	601 00 23 18	NUT, 1/4-20 REGHEXCTRLK
536	601 00 17 15	WASHER, FLAT .640X1.25X.06
540	601 00 20 87	SPACER, SLEV .640X .88X .15
541	601 00 20 95	PULLEY, RIBBED

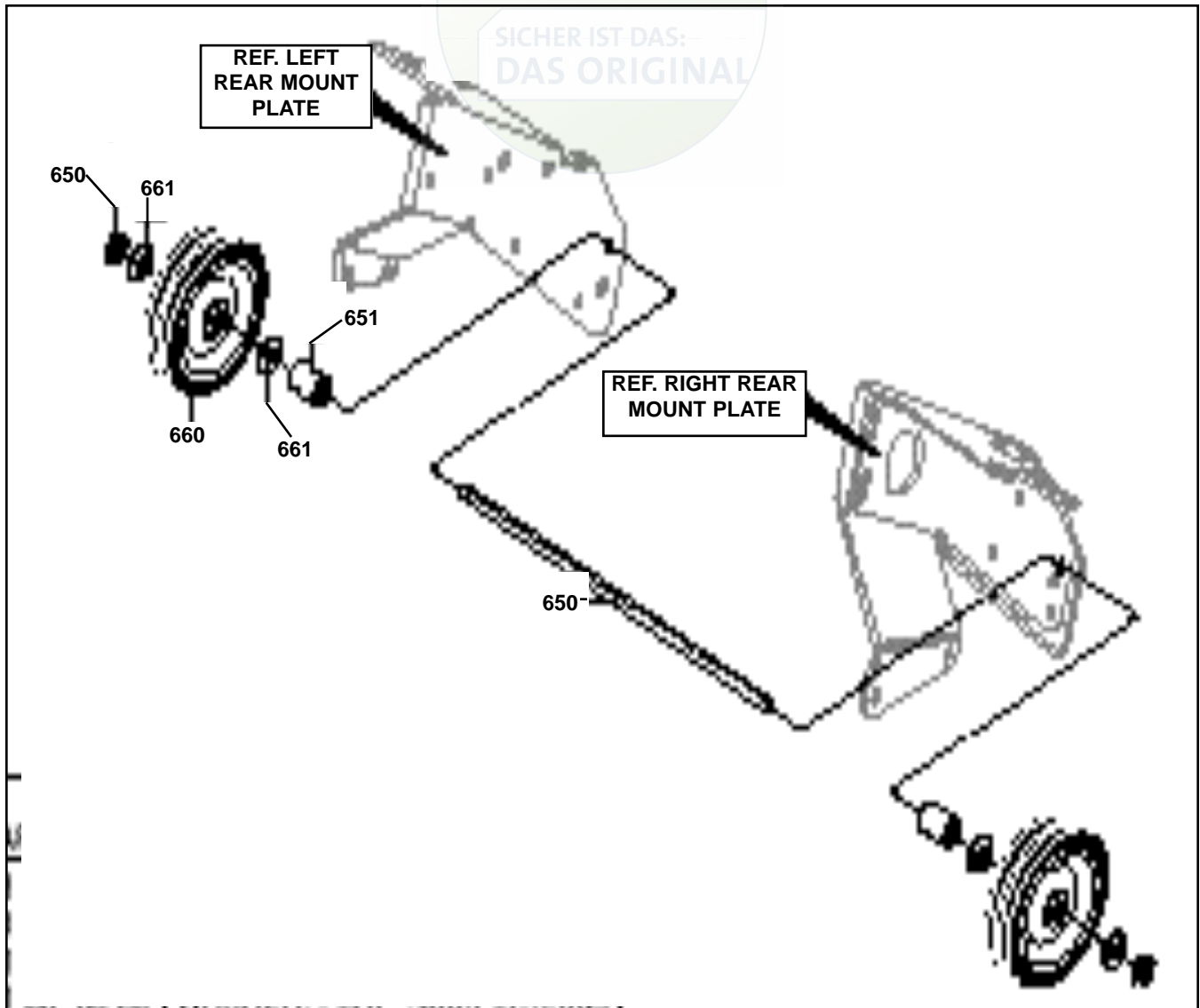
**ST521 Chute Assembly**



REF NO.	PART NO.	PART NAME
580	601 00 18 01	RING, LOWER CHUTE
581	601 00 18 02	SCREW, 1/4-14X .63
582	601 00 18 03	CLIP, CHUTE RING
590	601 00 18 0	4 CHUTE, LOWER
591	601 00 00 66	SCREW, 1/4-20X .50
592	601 00 08 27	NUT,
600	601 00 18 05	CHUTE, UPPER
601	601 00 18 06	WIRE, HINGE
602	601 00 13 90	BOLT, 5/16-18X1.25
603	601 00 00 19	WASHER, FLAT
604	601 00 06 84	KNOB, T
605	601 00 00 12	NUT, 5/16-18
606	601 00 20 38	SCREW, 5/16-18X .75
607	601 00 00 19	WASHER, FLAT
608	601 00 00 59	NUT,
610	601 00 20 89	BRACKET, WORM ADJUST
611	601 00 14 11	BOLT, 5/16-18X .75
612	601 00 00 19	WASHER

REF. NO.	PART NO.	PART NAME
613	601 00 00 23	WASHER
614	601 00 00 12	NUT, 5/16-18 REGHEX
620	601 00 20 19	BRACKET, CHUTE ROD HOLDER
621	601 00 14 11	BOLT, 5/16-18X .75 CARR
622	601 00 00 19	WASHER, FLAT
623	601 00 00 23	WASHER, HVSP TLK
624	601 00 00 12	NUT, 5/16-18 REGHEX
625	601 00 18 09	PLATE, CHUTE ROD
626	601 00 00 66	SCREW, 1/4-20X .50
627	601 00 23 18	NUT, 1/4-20 REGHEX CTRLK
630	601 00 18 10	ROD, ASSY CHUTE LOWER
631	601 00 18 51	WASHER, FLAT
632	601 00 00 75	PIN, COTTER .090 DIA X .75
633	601 00 18 11	BLOCK, PIVOT
634	601 00 14 04	WASHER, CURVED SPRING

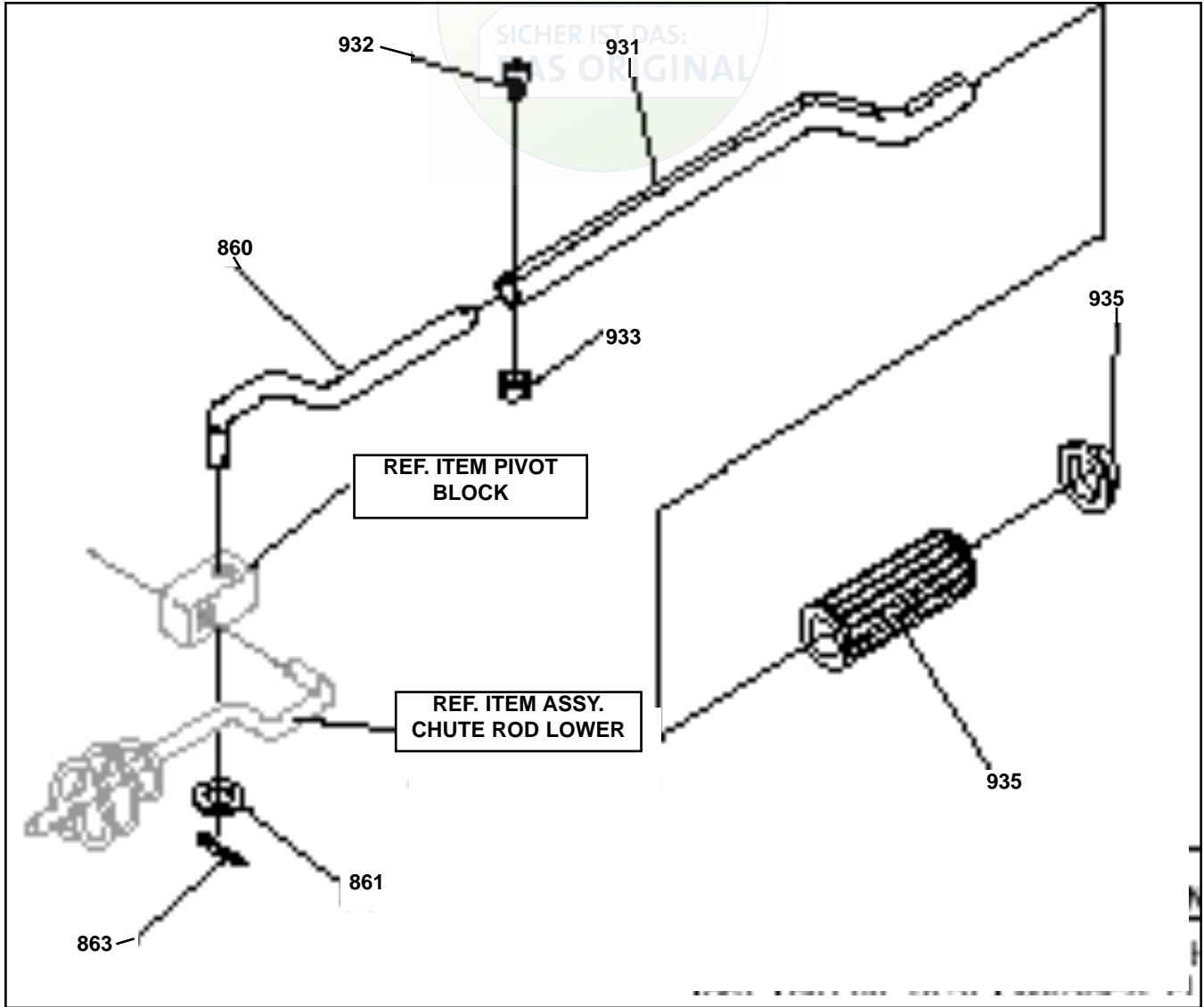
ST521 Wheels Assembly



REF NO.	PART NO.	PART NAME
650	601001818	SHAFT, AXLE
651	601001819	SPACER, SLEEVE
660	601002092	TIRE & RIM
661	601000020	WASHER, FLAT .406X .81X.065
662	601002154	RING, RET E

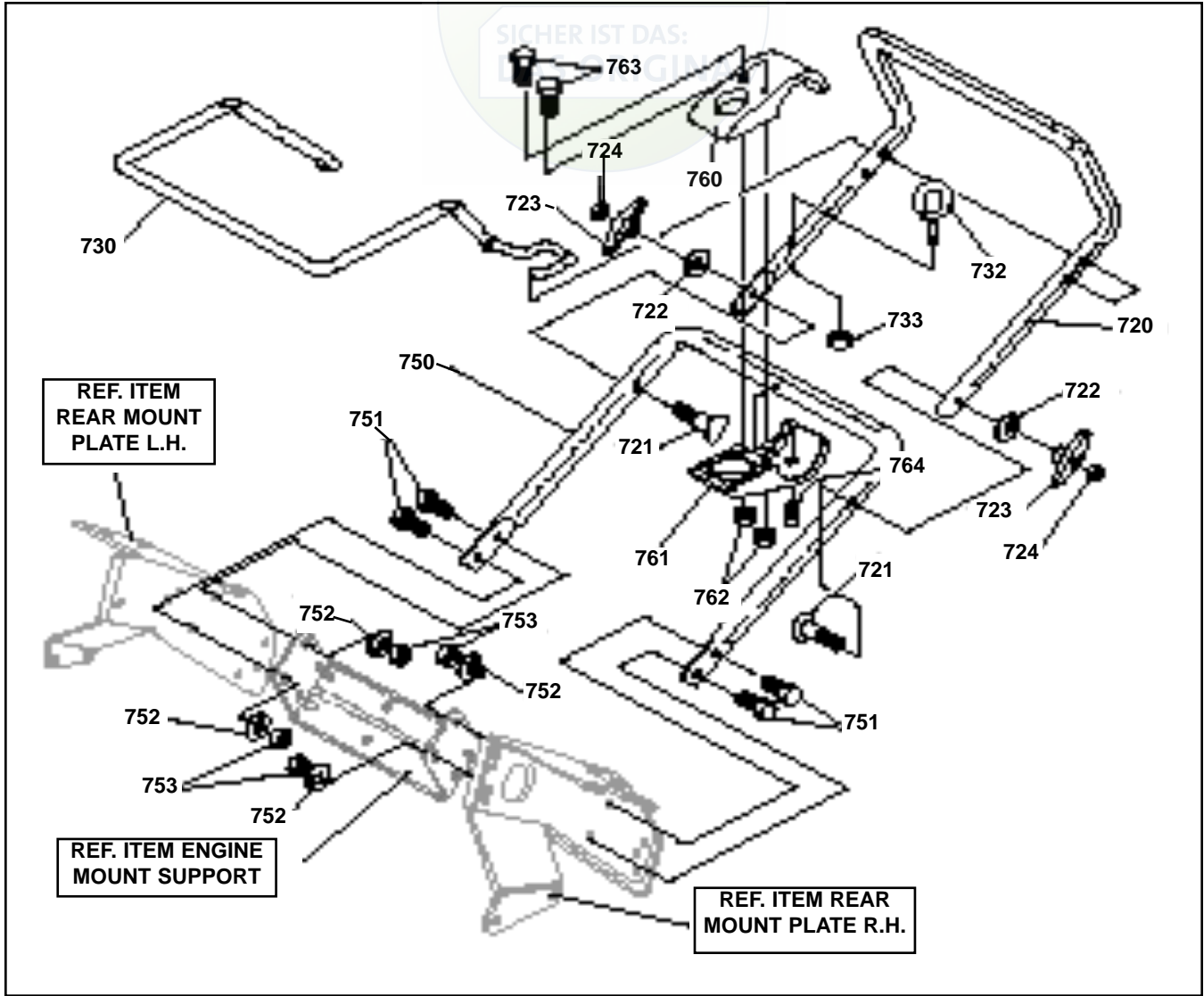


ST521 Chute Rod Assembly



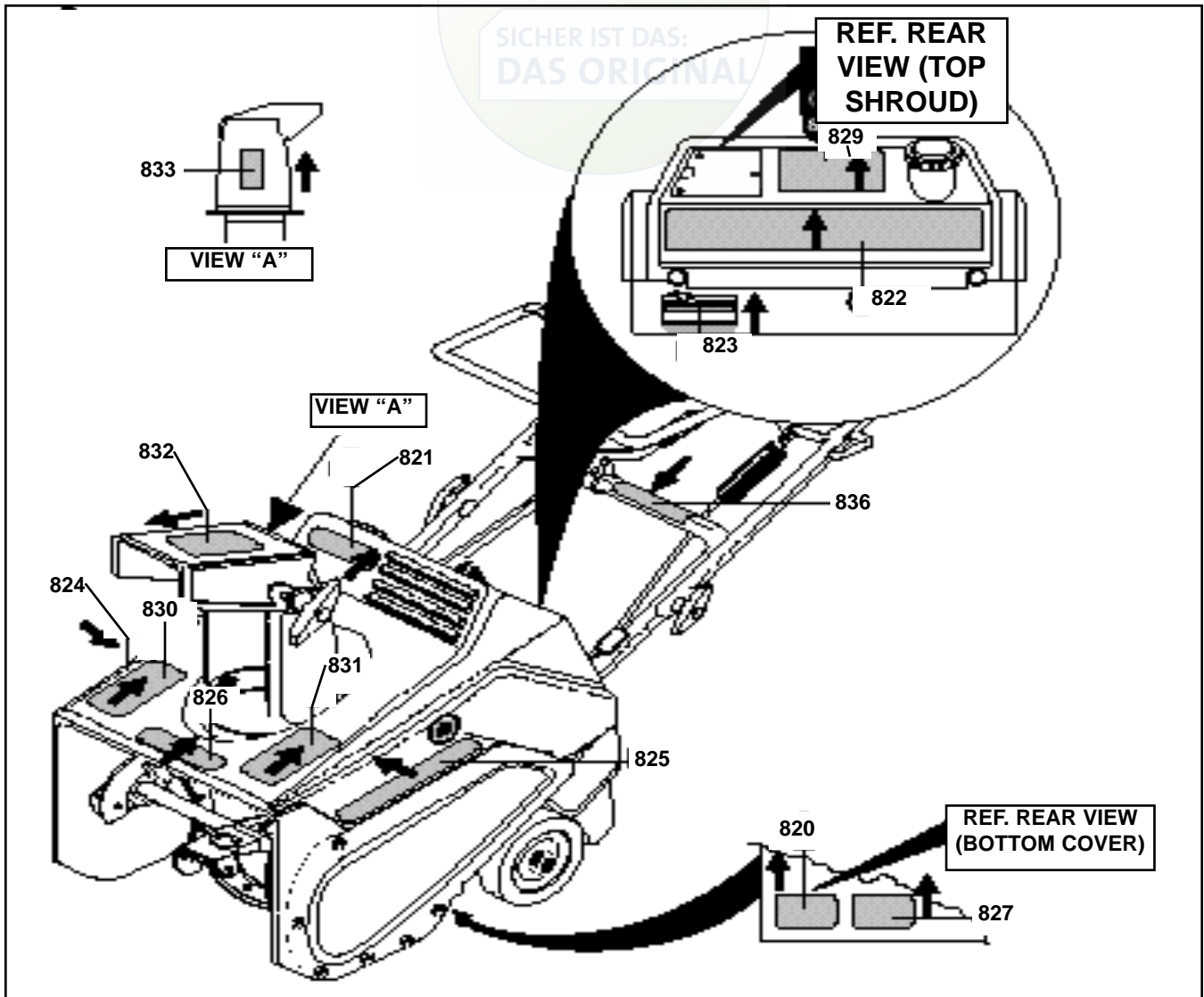
REF NO.	PART NO.	PART NAME
860	601 00 18 12	ROD, MID CHUTE CTL
861	601 00 18 51	WASHER, FLAT .40 X .75X.025
863	601 00 00 25	PIN, COTTER .090 DIA X .75LG
931	601 00 18 13	ROD CHUTE CTRL UPR, ASSY
932	601 00 18 14	SCREW, 10-32X .88 SLTRHD
933	601 00 18 15	NUT, #10-32 CTRLK
934	601 00 18 16	KNOB, CHUTE CRANK
935	601 00 18 17	NUT, PUSH

ST521 Handle Assembly



REF NO.	PART NO.	PART NAME
720	601 00 21 49	HANDLE, ASSY
721	601 00 21 50	BOLT, 5/16-18X2.00
722	601 00 24 13	WASHER, FORM
723	601 00 06 84	KNOB, T
724	601 00 00 12	NUT, 5/16-18 REGHEX
730	601 00 18 22	BAR, CONTROL DRIVE
732	601 00 21 51	GUIDE, ROPE 5/15-18
733	601 00 00 59	NUT, 5/16-18 REGHEXCTRLK
750	601 00 18 23	HANDLE, LOWER
751	601 00 00 73	SCREW, 5/16-18X .75
752	601 00 00 16	WASHER, FLAT .344X .69X.065
753	601 00 00 59	NUT, 5/16-18 REGHEXCTRLK
760	601 00 18 24	BRACKET HALF, CHUTE CRANK
761	601 00 18 25	BRACKET HALF, CHUTE CRANK
762	601 00 16 24	NUT, #10-24 HEXNYLLK
763	601 00 18 26	SCREW, #10-24X1.00
764	601 00 14 45	SCREW, 1/4-20X .63

ST521 Decals



REF NO.	PART NO.	PART NAME
821	601 00 20 89	DECAL, CROWN
822	601 00 18 28	DECAL, CONTROL PANEL
823	601 00 24 10	DECAL, CHOKE
824	601 00 20 99	DECAL, ST521E SIDE PANEL RH
825	601 00 20 99	DECAL, ST521E SIDE PANEL LH
826	601 00 20 96	DECAL, HUSQVARNA TOP COVER
827	601 00 24 11	DECAL, EPA
829	601 00 24 12	DECAL, START INSTR
830	601 00 23 30	DANGER CHUTE DECAL
831	601 00 23 29	DECAL, DANGER AUGER FOOT
832	601 00 20 97	DECAL, "CROWN" UPPRE CHT
833	601 00 23 31	DECAL, DANGER
836	601 00 21 15	DECAL, AUGER CONTROL BAR