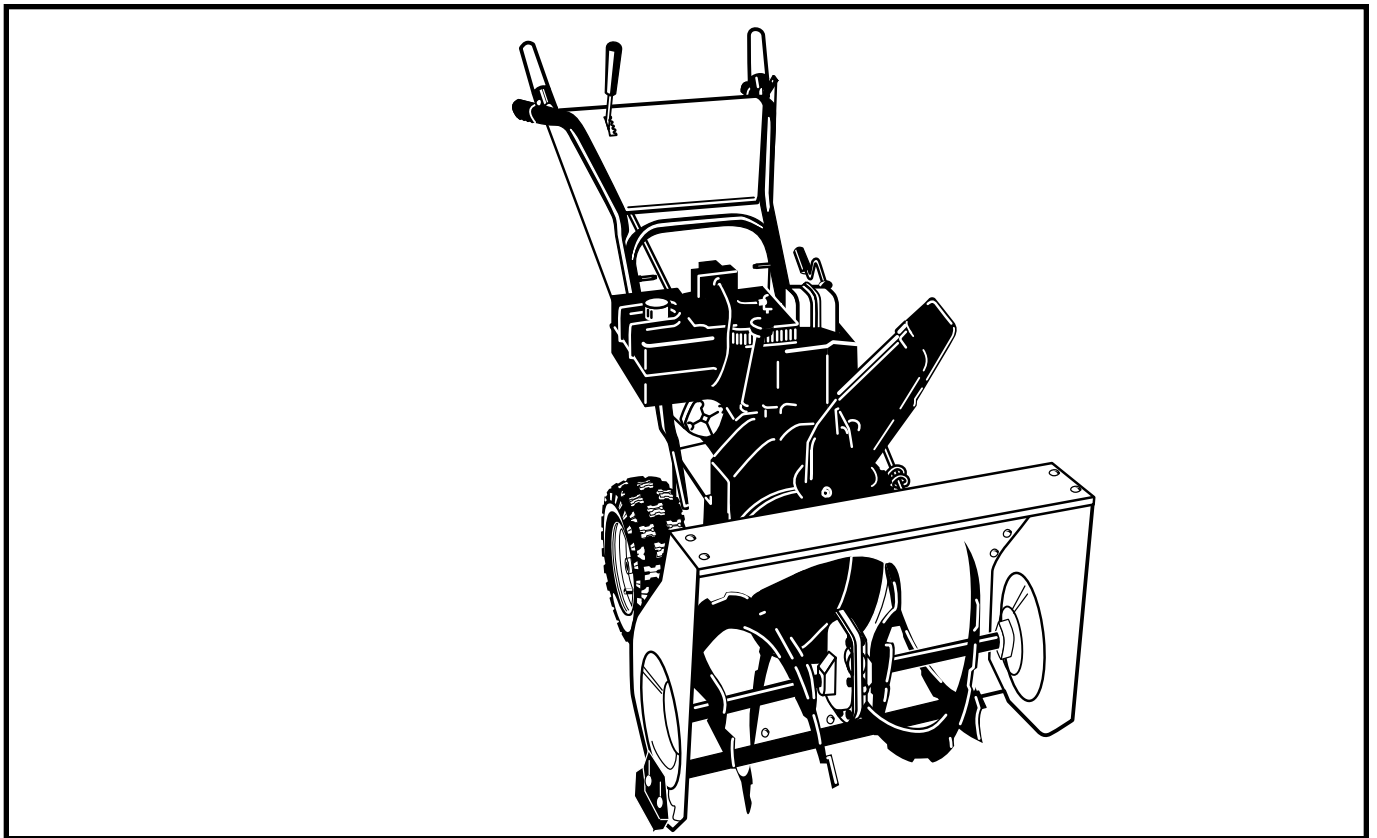


ST 724

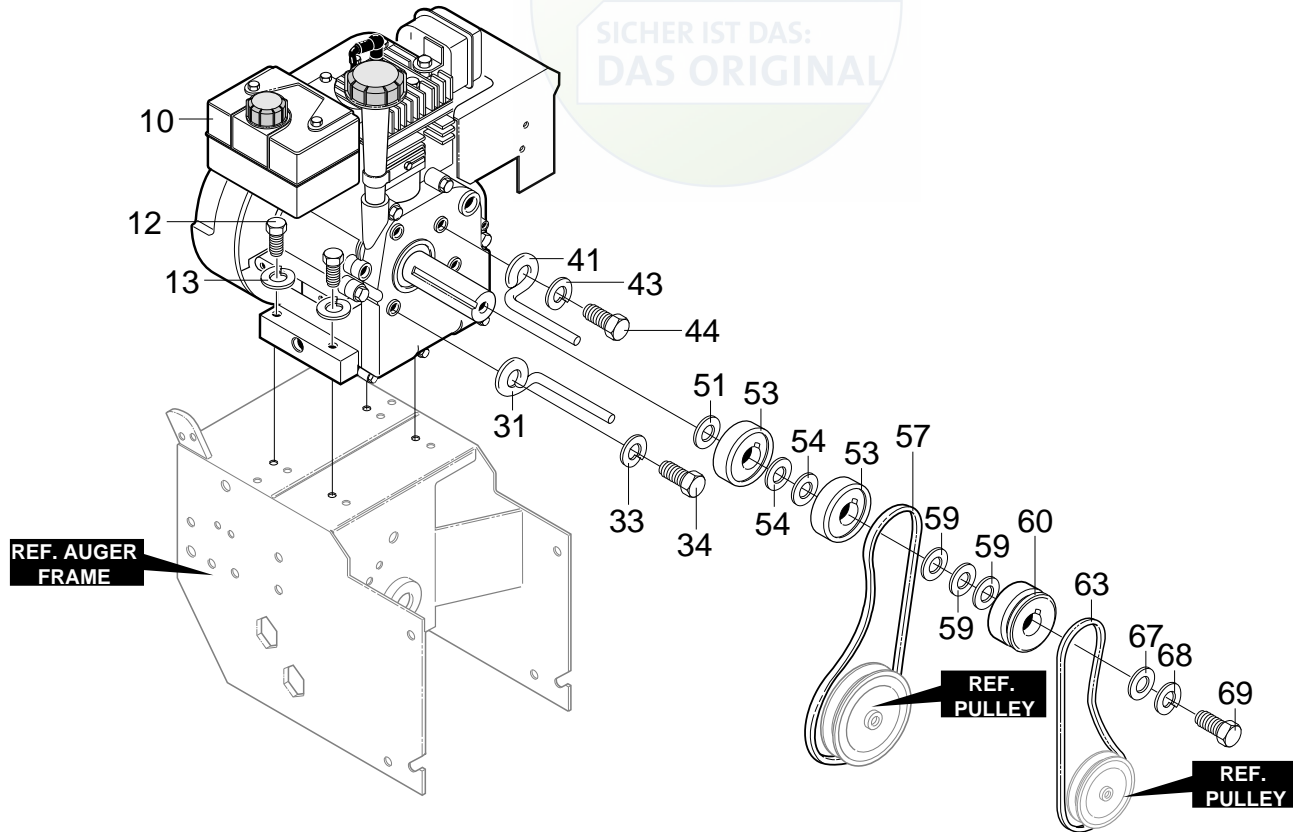


1996-01

Spare Parts

24" SNOW THROWER MODEL ST 724

ENGINE REPAIR PARTS

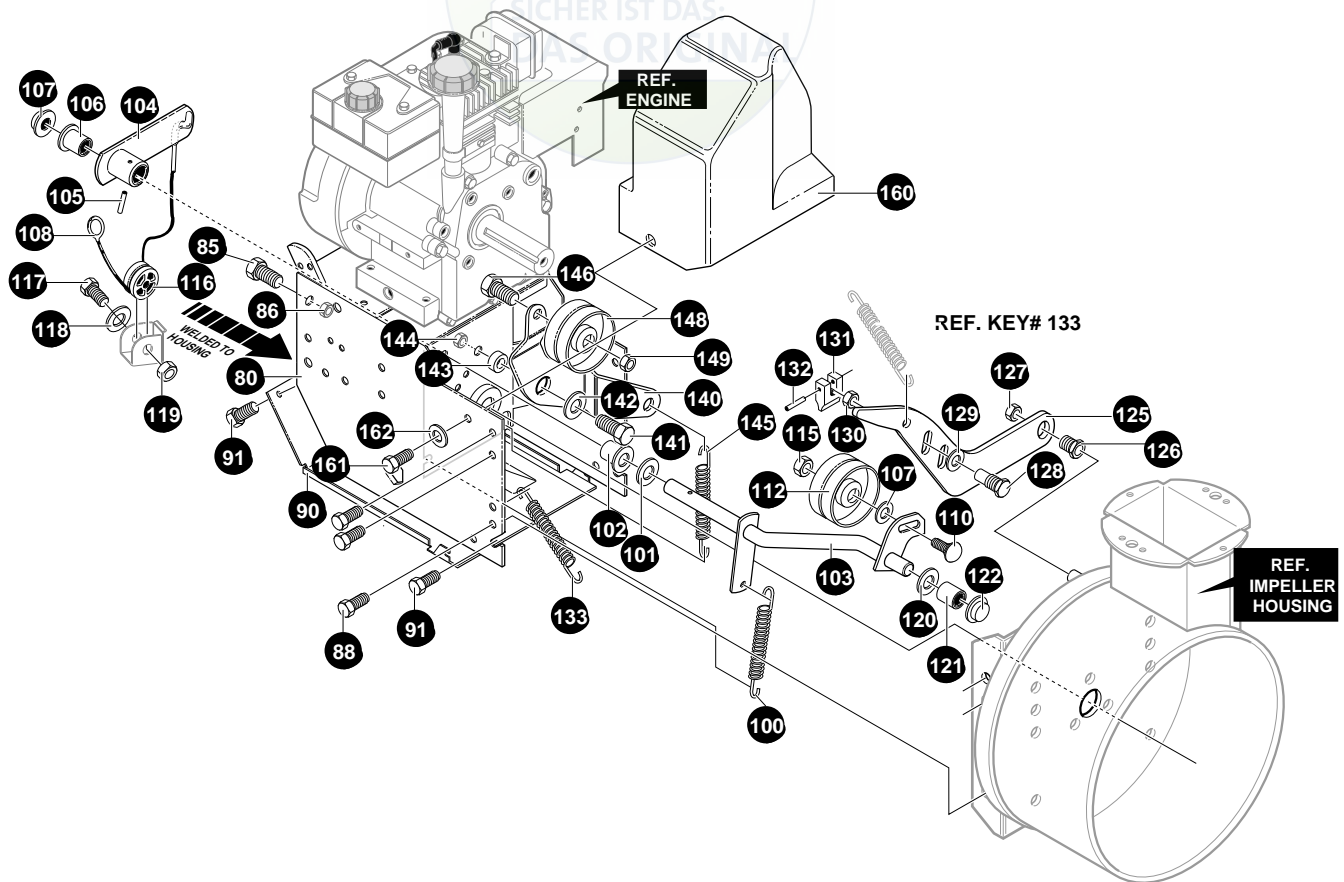


| REF. NO | PART NO. | PART NAME |
|---------|--------------|--------------------------------|
| 10 | ENGINE | 7HP TEC (SEE ENGINE MANUAL) |
| 12 | 601 00 00-73 | SCREW, 5/16-18 X .75 |
| 13 | 601 00 00-23 | WASHER, HVSP TLK .328X.60X.09 |
| 31 | 601 00 14-32 | GUIDE, ROD BELT RH |
| 33 | 601 00 00-23 | WASHER, HVSP TLK .328X.60X.09 |
| 34 | 601 00 14-33 | SCREW 5/16-24X.625 |
| 41 | 601 00 14-32 | GUIDE, ROD BELT LH |
| 43 | 601 00 00-23 | WASHER, HVSP TLK .328X.60X.09 |
| 44 | 601 00 14-33 | SCREW 5/16-24X.625 |
| 51 | 601 00 14-34 | WASHER, CRANKSHAFT |
| 53 | 601 00 14-36 | PULLEY, HALF V3L 2.00X.752ID |
| 54 | 601 00 14-35 | FLATWASHER, .752X.91X.02 |
| 57 | 601 00 14-37 | BELT, V 3L 33.13LG |
| 59 | 601 00 14-38 | FLATWASHER, .765X1.12X.06 |
| 60 | 601 00 15-93 | PULLEY, ENGINE V 4L |
| 63 | 601 00 17-37 | BELT, V 4L 36.6LG |
| 67 | 601 00 14-41 | FLATWASHER |
| 68 | 601 00 00-15 | WASHER, REGSP TLK .393X.60X.10 |
| 69 | 601 00 05-27 | SCREW 3/8-24 X 1.00 NYL |
| | 601 00 17-36 | OWNER'S MANUAL ENG/FR |

319042E

24" SNOW THROWER MODEL ST 724

FRAME REPAIR PARTS



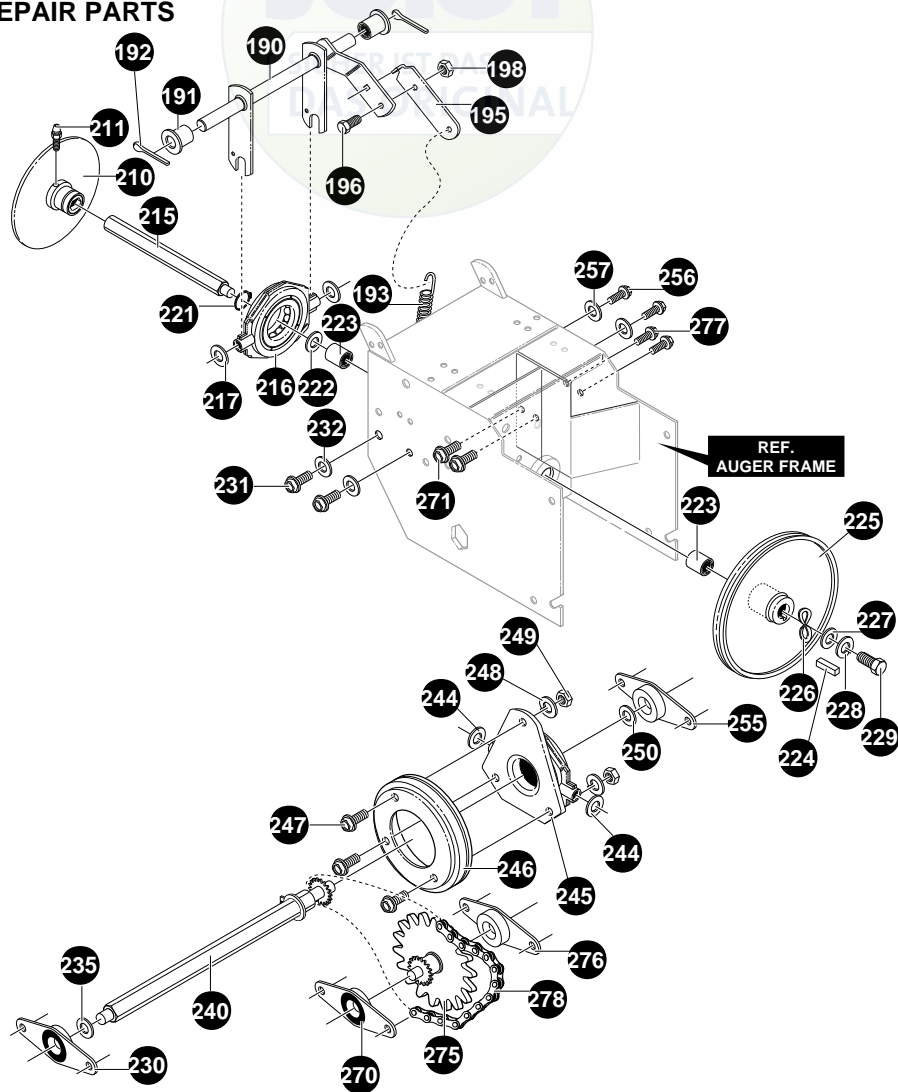
| REF. NO | PART NO. | PART NAME |
|---------|--------------|----------------------------|
| 80 | 601 00 17-38 | FRAME, ASSY ENG. MT. |
| 85 | 601 00 14-43 | SCREW 5/16-24X1.00 |
| 86 | 601 00 08-23 | NUT, 5/16-24 HEXWD FLLK |
| 88 | 601 00 05-19 | SCREW, 5/16-18X.50 WAHHTAP |
| 90 | 601 00 17-39 | COVER, BOTTOM WHEEL DRIVE |
| 91 | 601 00 14-45 | SCREW 1/4-20 X .63 WAHHTAP |
| 100 | 601 00 10-89 | IDLER SPRING |
| 101 | 601 00 14-46 | FLATWASHER, .53X1.00X.063 |
| 102 | 601 00 14-47 | BEARING FLANGE |
| 103 | 601 00 15-97 | ASSY, SHAFT AUG CLUTCH |
| 104 | 601 00 14-49 | LEVER, ASSY AUGER CLUTCH |
| 105 | 601 00 14-51 | SPRING PIN .165DIA X.88LG |
| 106 | 601 00 14-47 | BEARING, FLANGE |
| 107 | 601 00 14-52 | NUT, 1/2 PUSH ON |
| 108 | 601 00 14-53 | CABLE, .205 EYE 6.125LG |
| 110 | 601 00 15-98 | BOLT, 3/8-16X1.25 CARR. |
| 111 | 601 00 00-20 | FLATWASHER .406X.81X.065 |
| 112 | 601 00 14-54 | PULLEY, IDLER |
| 115 | 601 00 13-35 | NUT, 3/8-16 HEXCTRLKJAM |
| 116 | 601 00 14-55 | SPOOL, CABLE AUGER CLUTCH |
| 117 | 601 00 14-56 | SCREW 1/4-20X1.75 |
| 118 | 601 00 00-18 | FLATWASHER .281X.63X.065 |
| 119 | 601 00 00-62 | NUT 1/4-20 REGHEXCTRLK |
| 120 | 601 00 14-46 | FLATWASHER .53X1.00X.063 |

| REF. NO | PART NO. | PART NAME |
|---------|--------------|-------------------------------|
| 121 | 601 00 15-99 | BEARING SLEV .520IDX.70ODX.65 |
| 122 | 601 00 14-52 | NUT 1/2 PUSH ON |
| 125 | 601 00 16-05 | BRACKET, BRAKE ARM |
| 126 | 601 00 16-02 | BOLT, BRAKE ARM 9/16-18 |
| 127 | 601 00 16-01 | NUT 9/16-18 JAM CTRLK |
| 128 | 601 00 16-04 | BOLT-BRAKE ARM ADJ |
| 129 | 601 00 14-73 | FLATWASHER .505X1.00X.06 |
| 130 | 601 00 16-03 | NUT 1/2-20 JAM CTRLK |
| 131 | 601 00 14-59 | PAD, AUGER/IMPELLER BRAKE |
| 132 | 601 00 14-51 | PIN, SPRING .165DIA X.88LG |
| 133 | 601 00 14-60 | SPRING, TENSION RETURN |
| 140 | 601 00 14-61 | LEVER, IDLER ARM TRACTION |
| 141 | 601 00 00-73 | SCREW 5/16-18X.75 |
| 142 | 601 00 14-62 | FLATWASHER .328X1.25X.075 |
| 143 | 601 00 14-63 | BUSHING, IDLER LEVER |
| 144 | 601 00 14-64 | NUT, 5/16-18 HEXNYL |
| 145 | 601 00 10-89 | IDLER SPRING |
| 146 | 601 00 17-40 | SCREW 3/8-16X1.25 |
| 148 | 601 00 14-54 | PULLEY, IDLER |
| 149 | 601 00 13-35 | NUT, 3/8-16 HEXCTRLKJAM |
| 160 | 601 00 14-65 | COVER, BELT |
| 161 | 601 00 14-45 | SCREW 1/4-20X.63 WAHHTAP |
| 162 | 601 00 00-18 | FLATWASHER .281X.63X.065 |

334338B

24" SNOW THROWER MODEL ST 724

DRIVE COMPONENT REPAIR PARTS



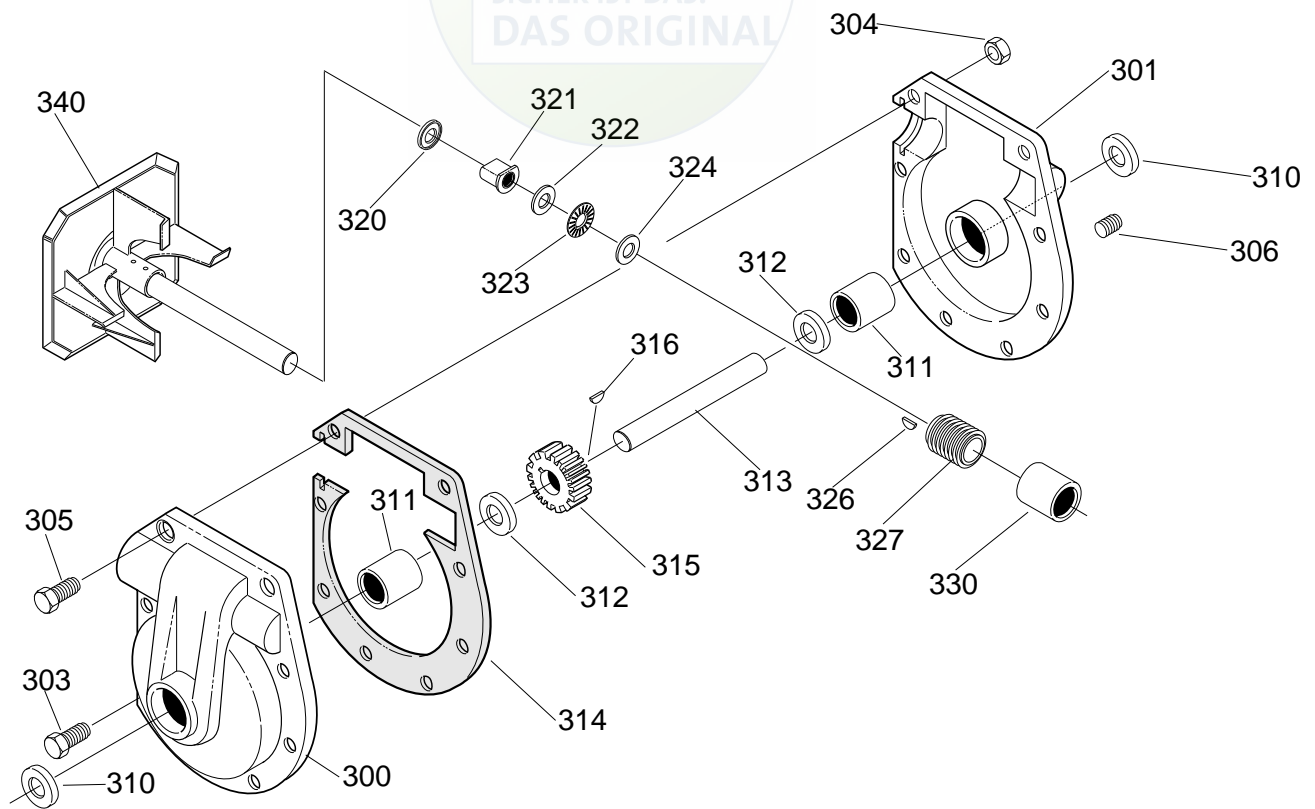
| REF. NO | PART NO. | PART NAME |
|---------|--------------|---------------------------------|
| 190 | 601 00 14-66 | LEVER, ASSY TRACTION CLUTCH |
| 191 | 601 00 14-47 | BEARING, FLANGED |
| 192 | 601 00 09-30 | COTTER PIN .125 DIA X 1.00 LG |
| 193 | 601 00 14-67 | SPRING, RETURN |
| 195 | 601 00 14-68 | LEVER, SPRING TRAC CLUTCH |
| 196 | 601 00 13-74 | SCREW, 1/4-20 X .63 |
| 198 | 601 00 00-62 | NUT, 1/4-20 REG HEX CTRLK |
| 210 | 601 00 14-69 | DISC, ASSY FRICTION WHEEL |
| 211 | 601 00 14-70 | ZERK, GREASE |
| 215 | 601 00 14-71 | SHAFT, HEX TRACTION |
| 216 | 601 00 14-72 | BEARING, TRUNION |
| 217 | 601 00 14-73 | FLATWASHER, .680 X 1.12 X .060 |
| 221 | 601 00 14-74 | RING, RETEX 1.16 X .05 TRU |
| 222 | 601 00 14-75 | FLATWASHER, .680 X 1.12 X .060 |
| 223 | 601 00 05-65 | BEARING, BALL 6203-2AA-C3 |
| 224 | 601 00 14-76 | KEY, SQUARE .18 SQ X .63 LG |
| 225 | 601 00 14-77 | PULLEY, V3L 6.50 X .56 |
| 226 | 601 00 14-78 | WASHER, WAVE .675 X 1.00 X .020 |
| 227 | 601 00 00-03 | FLATWASHER, .281 X 1.00 X .063 |
| 228 | 601 00 00-14 | WASHER, RSPTLK .263 X .49 X .07 |
| 229 | 601 00 00-68 | SCREW 1/4-20 X .75 |

| REF. NO | PART NO. | PART NAME |
|---------|--------------|-----------------------------------|
| 230 | 601 00 14-79 | BEARING & RETAINER ASSY |
| 231 | 601 00 05-19 | SCREW 5/16-18 X .50 WAHTAP |
| 232 | 601 00 00-23 | WASHER, HVSP TLK .328 X .60 X .09 |
| 235 | 601 00 14-80 | WASHER, SP .502 X .75 X .0605 |
| 240 | 601 00 14-81 | SHAFT & SPROCKET ASSY |
| 244 | 601 00 14-73 | FLATWASHER .505 X 1.00 X .06 |
| 245 | 601 00 17-41 | BEARING, TRUNION CLUTCH |
| 246 | 601 00 14-83 | WHEEL, ASSY FRICTION DISC |
| 247 | 601 00 13-74 | SCREW, 1/4-20 X .63 |
| 248 | 601 00 00-14 | WASHER, RGSPTLK .263 X .49 X .07 |
| 249 | 601 00 00-11 | NUT, 1/4-20 REG HEX |
| 250 | 601 00 14-80 | WASHER, SP .502 X .75 X .0605 |
| 255 | 601 00 14-79 | BEARING & RETAINER ASSY |
| 256 | 601 00 05-19 | SCREW 5/16-18 X .50 WAHTAP |
| 257 | 601 00 00-23 | WASHER, HVSP TLK .328 X .60 X .09 |
| 270 | 601 00 14-79 | BEARING & RETAINER ASSY |
| 271 | 601 00 05-19 | SCREW 5/16-18 X .50 WAHTAP |
| 275 | 601 00 14-85 | JACK, ASY #41-36T&8T W/PBRG |
| 276 | 601 00 14-79 | BEARING & RETAINER ASSY |
| 277 | 601 00 05-19 | SCREW 5/16-18 X .50 WAHTAP |
| 278 | 601 00 14-86 | CHAIN ROLLER #42 X 40P |

313995F

24" SNOW THROWER MODEL ST 724

GEAR BOX REPAIR PARTS

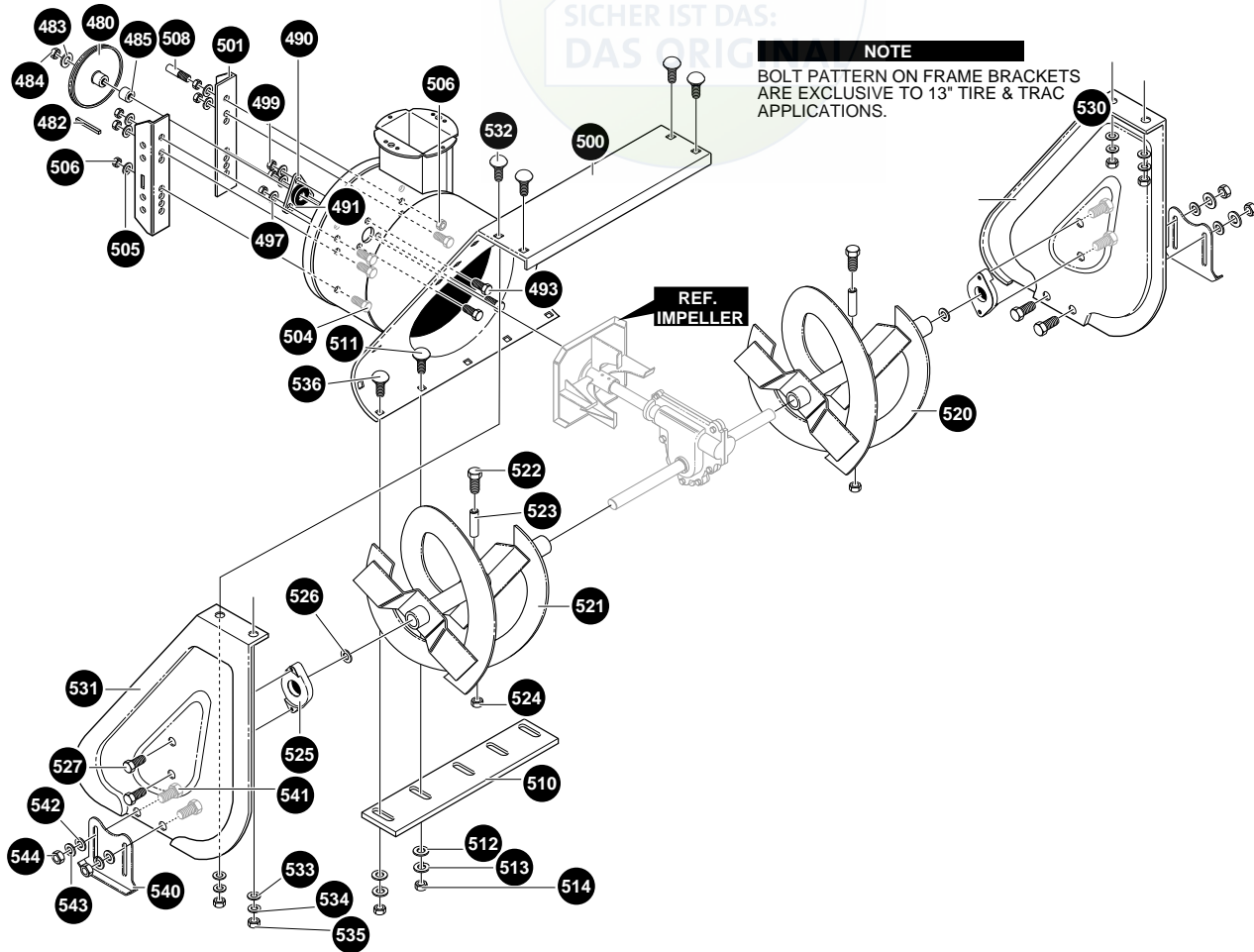


| REF. NO | PART NO. | PART NAME |
|---------|--------------|-------------------------------|
| 300 | 601 00 14-87 | CASE, GEAR RH |
| 301 | 601 00 14-88 | CASE, GEAR LH |
| 303 | 601 00 14-43 | SCREW 5/16-24X1.00 |
| 304 | 601 00 08-23 | NUT, 5/16-24 HEXWDFLLK |
| 305 | 601 00 16-07 | SCREW, 5/16-24X1.50 |
| 306 | 601 00 14-90 | PIPE PLUG |
| 310 | 601 00 14-91 | SEAL, OIL |
| 311 | 601 00 14-92 | BEARING, SLEEVE |
| 312 | 601 00 14-93 | FLATWASHER |
| 313 | 601 00 14-94 | SHAFT, AUGER OUTPUT 22" |
| 314 | 601 00 14-95 | GASKET, GEAR BOX |
| 315 | 601 00 14-96 | WORM GEAR |
| 316 | 601 00 14-97 | KEY, WOODRUFF #91 |
| 320 | 601 00 14-98 | RING, QUAD |
| 321 | 601 00 14-99 | BEARING, FLANGE |
| 322 | 601 00 15-00 | FLATWASHER .752X1.24X.093 |
| 323 | 601 00 15-01 | BEARING, ROLL |
| 324 | 601 00 15-00 | FLATWASHER .752X1.24X.093 |
| 326 | 601 00 15-02 | KEY, HI-PRO 606 |
| 327 | 601 00 15-03 | WORM GEAR |
| 330 | 601 00 15-04 | BRING, SLEV .752IDX.88ODX.755 |
| 340 | 601 00 15-05 | IMPELLER, ASSY |

314014C

24" SNOW THROWER MODEL ST 724

AUGER HOUSING REPAIR PARTS



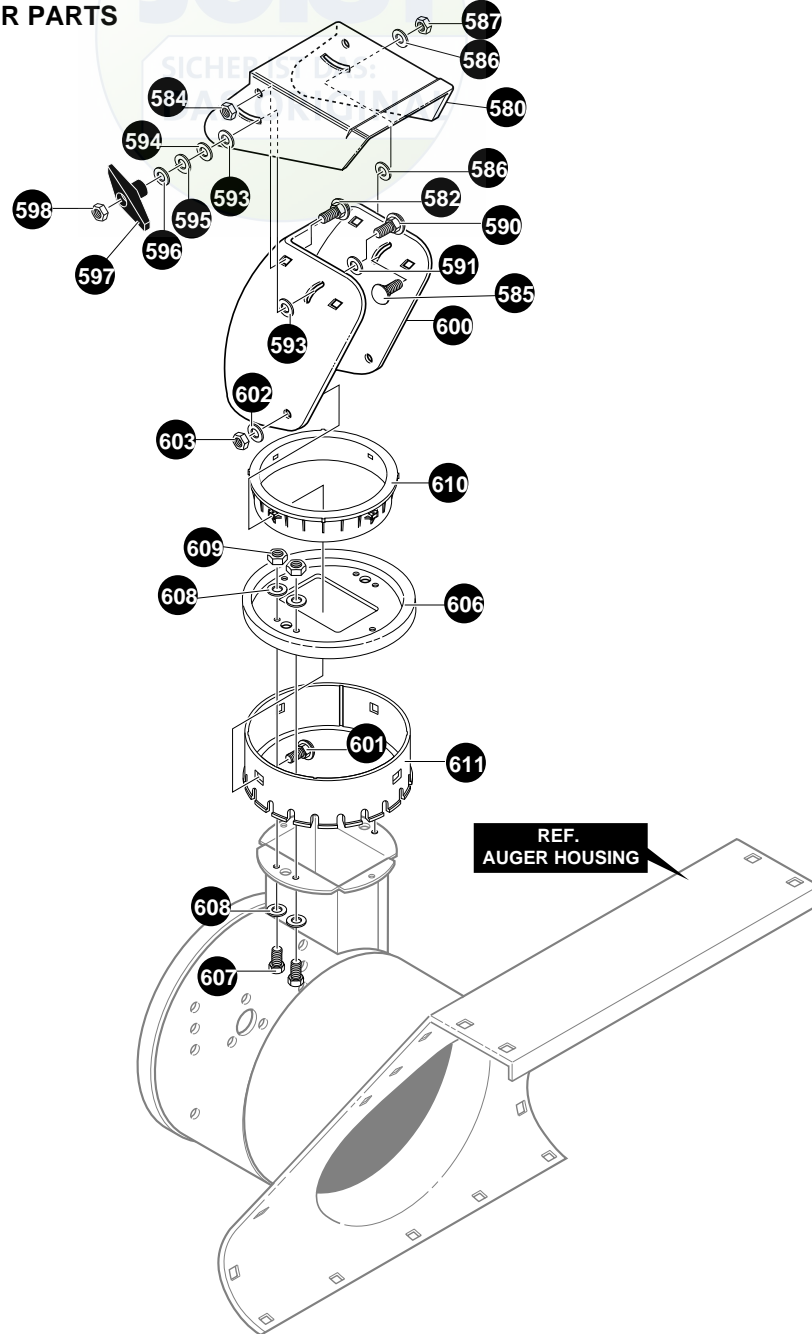
| REF. NO | PART NO. | PART NAME |
|---------|--------------|------------------------------|
| 480 | 601 00 16-09 | PULLEY, V4L 8.40 |
| 482 | 601 00 15-07 | KEY, SQUARE .18SQX.88LG |
| 483 | 601 00 14-46 | FLATWASHER, .53X1.00X.063 |
| 484 | 601 00 01-07 | NUT, 1/2-20 REGHXCTRLK |
| 485 | 601 00 16-10 | SPACER, SLEV .676X1.00X.53 |
| 490 | 601 00 15-09 | RETAINER, BALL |
| 491 | 601 00 05-65 | BRING, BALL 6203-2AA-C3 |
| 493 | 601 00 00-73 | SCREW 5/16-18X.75 |
| 497 | 601 00 00-23 | WASHER, HVSPTLK .328X.60X.09 |
| 499 | 601 00 00-12 | NUT, 5/16-18 REGHEX |
| 500 | 601 00 15-10 | HOUSING, ASSY 24/12 |
| 501 | 601 00 16-12 | BRACKET & NUTS ASSY |
| 504 | 601 00 15-12 | SCREW 3/8-16X.75 |
| 505 | 601 00 00-15 | WASHER, RGSPTLK .393X.68X.10 |
| 506 | 601 00 00-60 | NUT 3/8-16 REGHEXCTRLK |
| 508 | 601 00 17-42 | STUD, BRAKE ARM |
| 510 | 601 00 17-43 | BLADE, SCRAPER 24" |
| 511 | 601 00 14-11 | BOLT, 5/16-18X.75 CARR. |
| 512 | 601 00 00-19 | FLATWASHER .344X.69X.065 |
| 513 | 601 00 17-44 | WASHER, SPTLK .31X.58X.08 |
| 514 | 601 00 00-12 | NUT, 5/16-18 REGHEX |

| REF. NO | PART NO. | PART NAME |
|---------|--------------|------------------------------|
| 520 | 601 00 18-69 | AUGER, ASSY LH 22" |
| 521 | 601 00 18-70 | AUGER, ASSY RH 22" |
| 522 | 601 00 14-56 | SCREW 1/4-20X1.75 |
| 523 | 601 00 15-17 | SPACER, SLEV .250X.47X.20 |
| 524 | 601 00 00-62 | NUT 1/4-20 REGHEXCTRLK |
| 525 | 601 00 15-18 | AUGER SHAFT BEARING |
| 526 | 601 00 15-19 | FLATWASHER 1.005X1.31X.035 |
| 527 | 601 00 05-20 | SCREW, 5/16-18X.75 WAHTAP |
| 530 | 601 00 15-21 | PLATE, AUGER HSNG RH |
| 531 | 601 00 15-20 | PLATE, AUGER HSNG LH |
| 532 | 601 00 14-11 | BOLT 5/16-18X.75 CARR. |
| 533 | 601 00 00-19 | FLATWASHER .344X.69X.065 |
| 534 | 601 00 00-23 | WASHER, HVSPTLK .328X.60X.09 |
| 535 | 601 00 00-12 | NUT, 5/16-18 REGHEX |
| 536 | 601 00 08-99 | BOLT, 5/16-18X1.00 CARR. |
| 540 | 601 00 17-45 | SKID, HEIGHT ADJUST |
| 541 | 601 00 14-11 | BOLT, 5/16-18X.75 CARR. |
| 542 | 601 00 00-19 | FLATWASHER .344X.69X.065 |
| 543 | 601 00 00-23 | WASHER, HVSPTLK .31X.58X.08 |
| 544 | 601 00 00-12 | NUT, 5/16-18 REGHEX |

334396C

24" SNOW THROWER MODEL ST 724

DISCHARGE CHUTE REPAIR PARTS



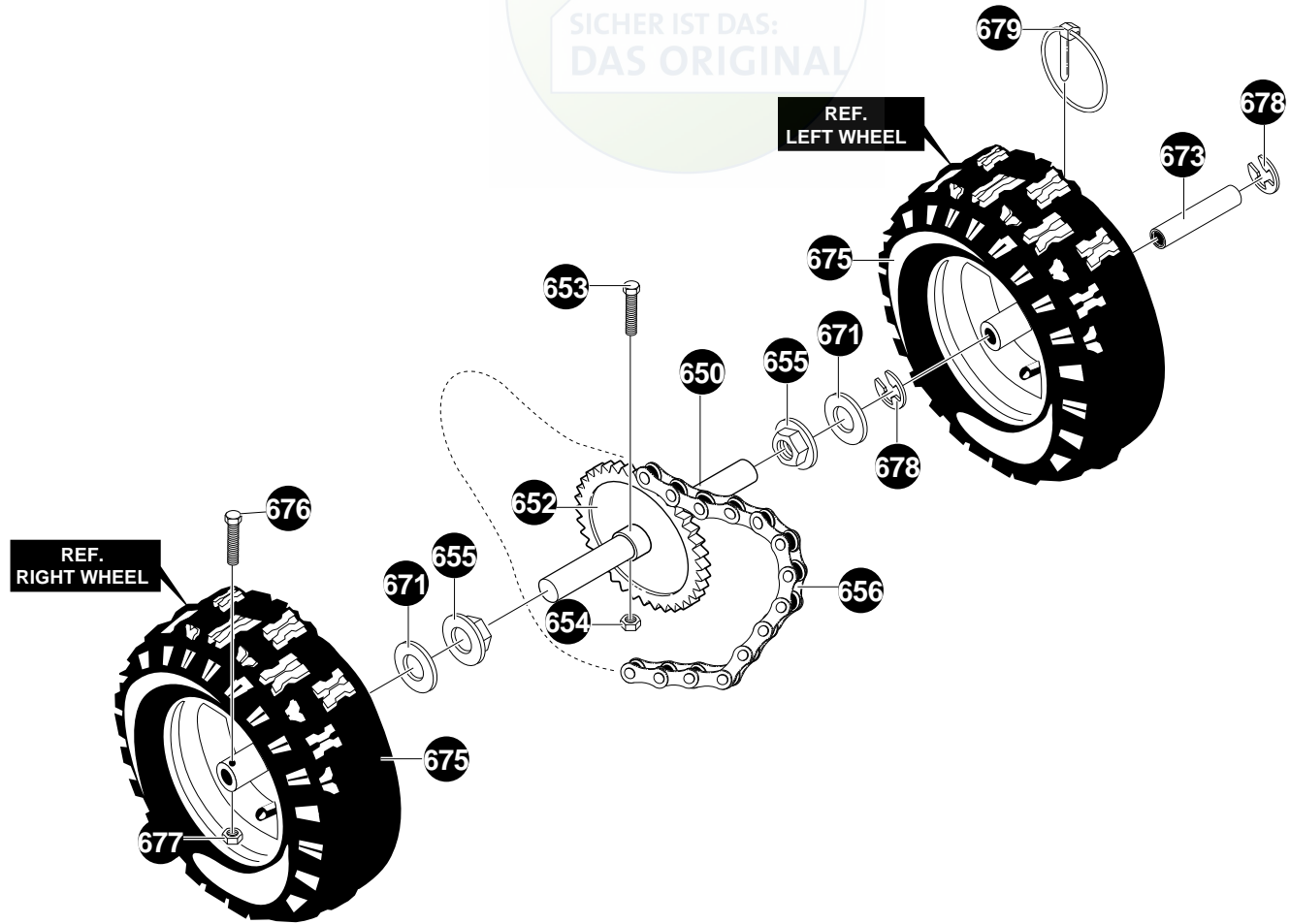
| REF. NO | PART NO. | PART NAME |
|---------|--------------|-------------------------------|
| 580 | 601 00 18-36 | CHUTE, UPPER |
| 582 | 601 00 13-91 | SCREW, 5/16-18X.75 SLTRMA |
| 584 | 601 00 14-64 | NUT, 5/16-18 HEXNYL |
| 585 | 601 00 13-91 | SCREW, 5/16-18X.75 |
| 586 | 601 00 15-24 | WASHER, PLASTIC .315X.75X.064 |
| 587 | 601 00 14-64 | NUT, 5/16-18 HEXNYL |
| 590 | 601 00 08-99 | BOLT, 5/16-18X1.00 CARR. |
| 591 | 601 00 06-54 | FLATWASHER .469X.92X.066 |
| 593 | 601 00 15-24 | WASHER, PLASTIC .315X.75X.064 |
| 594 | 601 00 00-19 | FLATWASHER .344X.69X.065 |
| 595 | 601 00 00-23 | WASHER, HVSP TLK .328X.60X.09 |
| 596 | 601 00 00-19 | FLATWASHER .344X.69X.065 |
| 597 | 601 00 06-84 | KNOB, T 2 BLADE W/5/16-18 NUT |

| REF. NO | PART NO. | PART NAME |
|---------|--------------|---------------------------|
| 598 | 601 00 00-12 | NUT 5/16-18 REGHEX |
| 600 | 601 00 18-37 | CHUTE, LOWER |
| 601 | 601 00 08-99 | BOLT 5/16-18X1.00 CARR. |
| 602 | 601 00 00-19 | FLATWASHER .344X.69X.065 |
| 603 | 601 00 14-64 | NUT 5/16-18 HEXNYL |
| 606 | 601 00 18-38 | COLLAR, CHUTE RECT. |
| 607 | 601 00 00-68 | SCREW 1/4-20X.75 |
| 608 | 601 00 00-18 | FLATWASHER, .281X.63X.065 |
| 609 | 601 00 00-62 | NUT, 1/4-20 REGHEX CTRLK |
| 610 | 601 00 18-39 | RETAINER, RING INNER |
| 611 | 601 00 18-40 | RETAINER, RING OUTER |

337310B

24" SNOW THROWER MODEL ST 724

WHEEL ASSEMBLY REPAIR PARTS

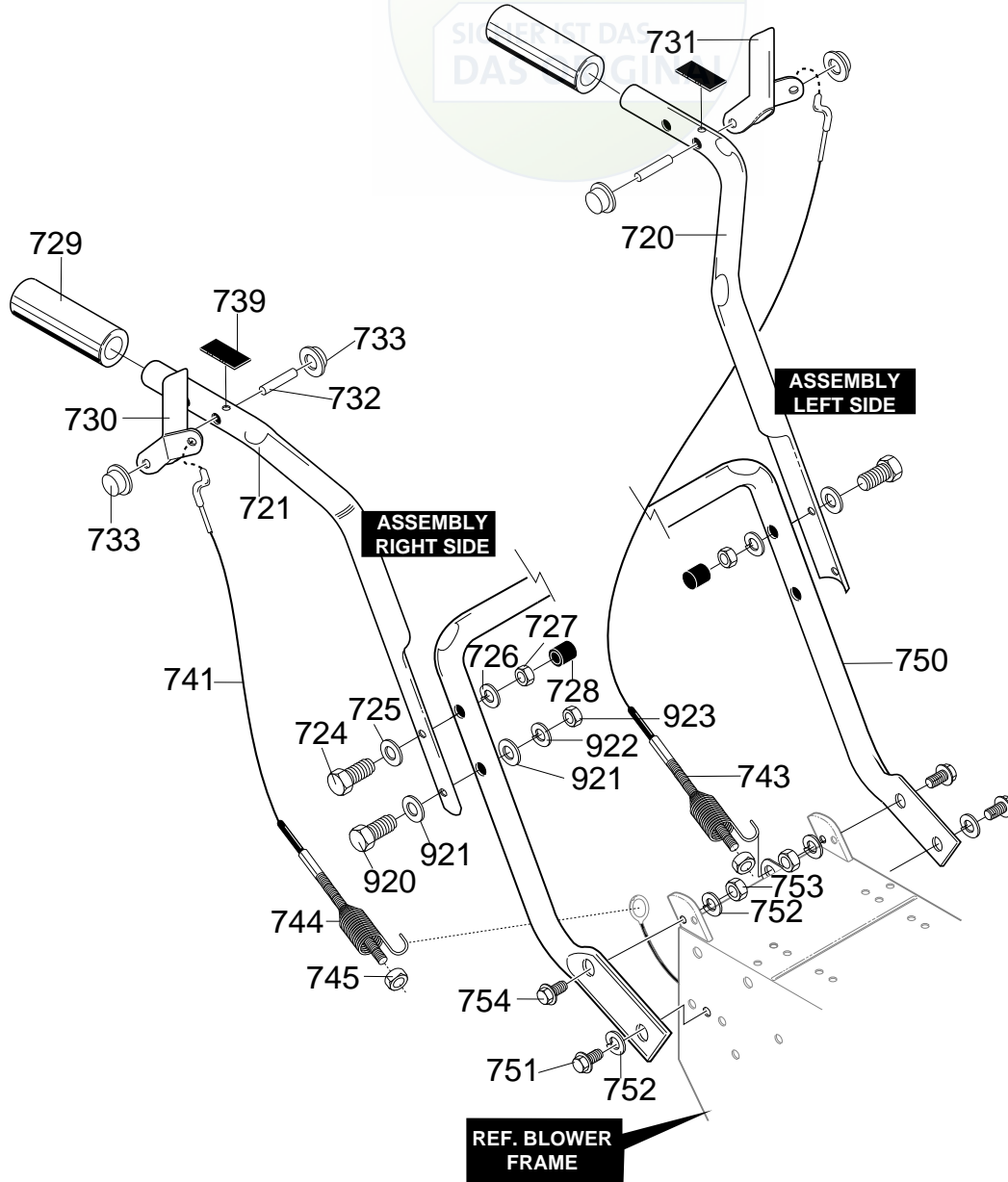


| REF. NO | PART NO. | PART NAME |
|---------|--------------|--------------------------|
| 650 | 601 00 15-33 | SHAFT, AXLE WHEEL/MID |
| 652 | 601 00 15-34 | SPROCKET & HUB ASSY |
| 653 | 601 00 15-35 | SCREW 1/4-20X2.25 |
| 654 | 601 00 00-62 | NUT, 1/4-20 REGHEXCTRLK |
| 655 | 601 00 15-36 | BEARING, FLANGE |
| 656 | 601 00 14-86 | CHAIN, ROLLER #42 X 40P |
| 671 | 601 00 14-38 | FLATWASHER .765X1.12X.06 |
| 673 | 601 00 17-46 | BUSHING, WHEEL 4"LG |
| 675 | 601 00 17-47 | TIRE & RIM 13X5.0X6 |
| 676 | 601 00 15-39 | SCREW, SHR 1/4-20X1.75 |
| 677 | 601 00 00-62 | NUT 1/4-20 REGHEXCTRLK |
| 678 | 601 00 15-40 | RING, RETAINING |
| 679 | 601 00 15-41 | PIN, KLIK |

318542E

24" SNOW THROWER MODEL ST 724

HANDLES REPAIR PARTS



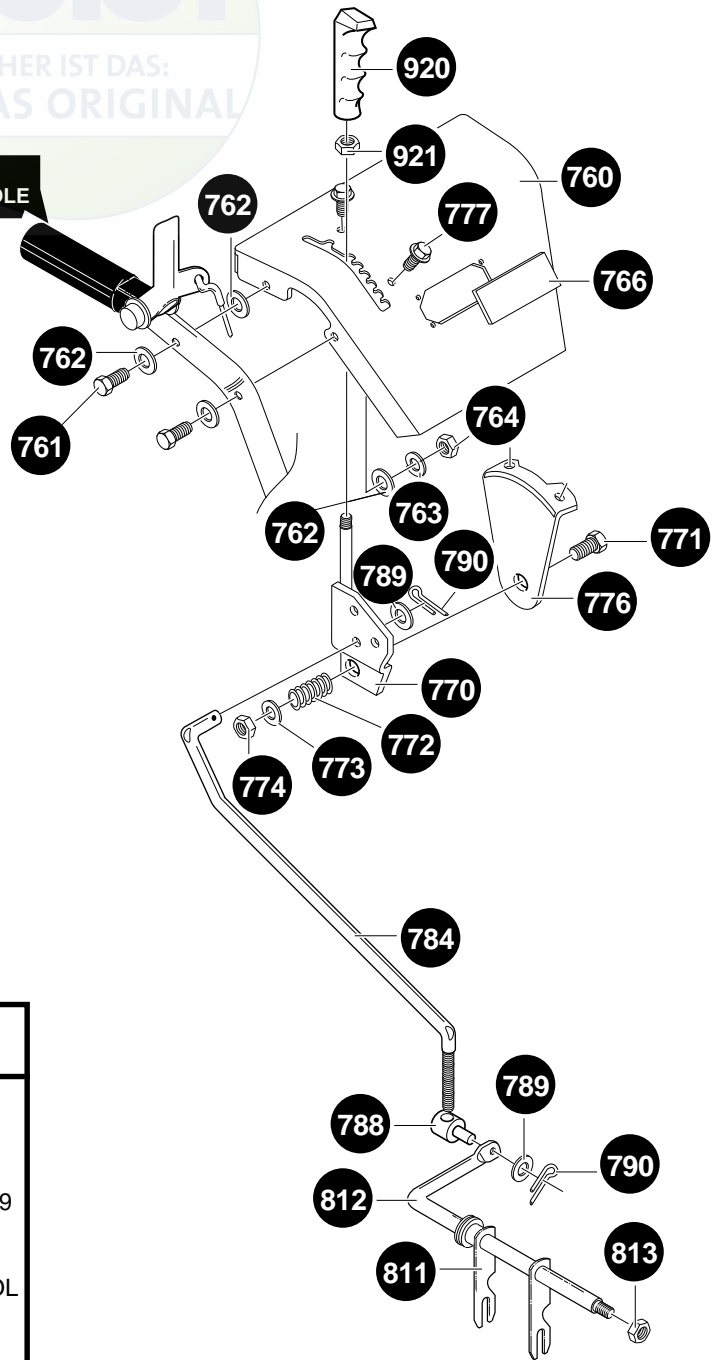
| REF. NO | PART NO. | PART NAME |
|---------|--------------|------------------------------|
| 720 | 601 00 15-42 | UPPER HANDLE LH |
| 721 | 601 00 15-43 | UPPER HANDLE RH |
| 724 | 601 00 15-44 | SCREW, 3/8-16X3.00 |
| 725 | 601 00 00-20 | FLATWASHER .406X.81X.065 |
| 726 | 601 00 00-15 | WASHER, RGSPTLK .393X.68X.10 |
| 727 | 601 00 00-60 | NUT, 3/8-16 REGHEXTRLK |
| 728 | 601 00 15-45 | STOP, PLASTIC .375 |
| 729 | 601 00 15-46 | GRIP, HANDLE |
| 730 | 601 00 15-47 | HANDLE, CLUTCH RH |
| 731 | 601 00 15-48 | HANDLE, CLUTCH LH |
| 732 | 601 00 15-49 | PIN, PIVOT |
| 738 | 601 00 05-16 | PUSH ON CAP |
| 739 | 601 00 15-50 | BUMPER, RECT |

| REF. NO | PART NO. | PART NAME |
|---------|--------------|------------------------------|
| 741 | 601 00 15-51 | CABLE, CLUTCH |
| 743 | 601 00 15-52 | SPRING, TENSION |
| 744 | 601 00 15-53 | SPRING, AUGER CLUTCH |
| 745 | 601 00 00-62 | NUT, 1/4-20 REGHEXCTRLK |
| 750 | 601 00 15-54 | HANDLE, LOWER |
| 751 | 601 00 00-73 | SCREW, 5/16-18X.75 |
| 752 | 601 00 00-23 | WASHER, HVSPTLK .328X.60X.09 |
| 753 | 601 00 00-12 | NUT 5/16-18 REGHEX |
| 754 | 601 00 05-20 | SCREW, 5/16-18X.75 WAHHTAP |
| 920 | 601 00 15-55 | SCREW, 3/8-16X2.00 |
| 921 | 601 00 00-20 | FLATWASHER .406X.81X.065 |
| 922 | 601 00 00-15 | WASHER RGSPTLK .393X.60X.10 |
| 923 | 601 00 00-60 | NUT, 3/8-16 REGHEXCTRLK |

24" SNOW THROWER MODEL ST 724

CONTROL PANEL REPAIR PARTS

REF.
UPPER HANDLE

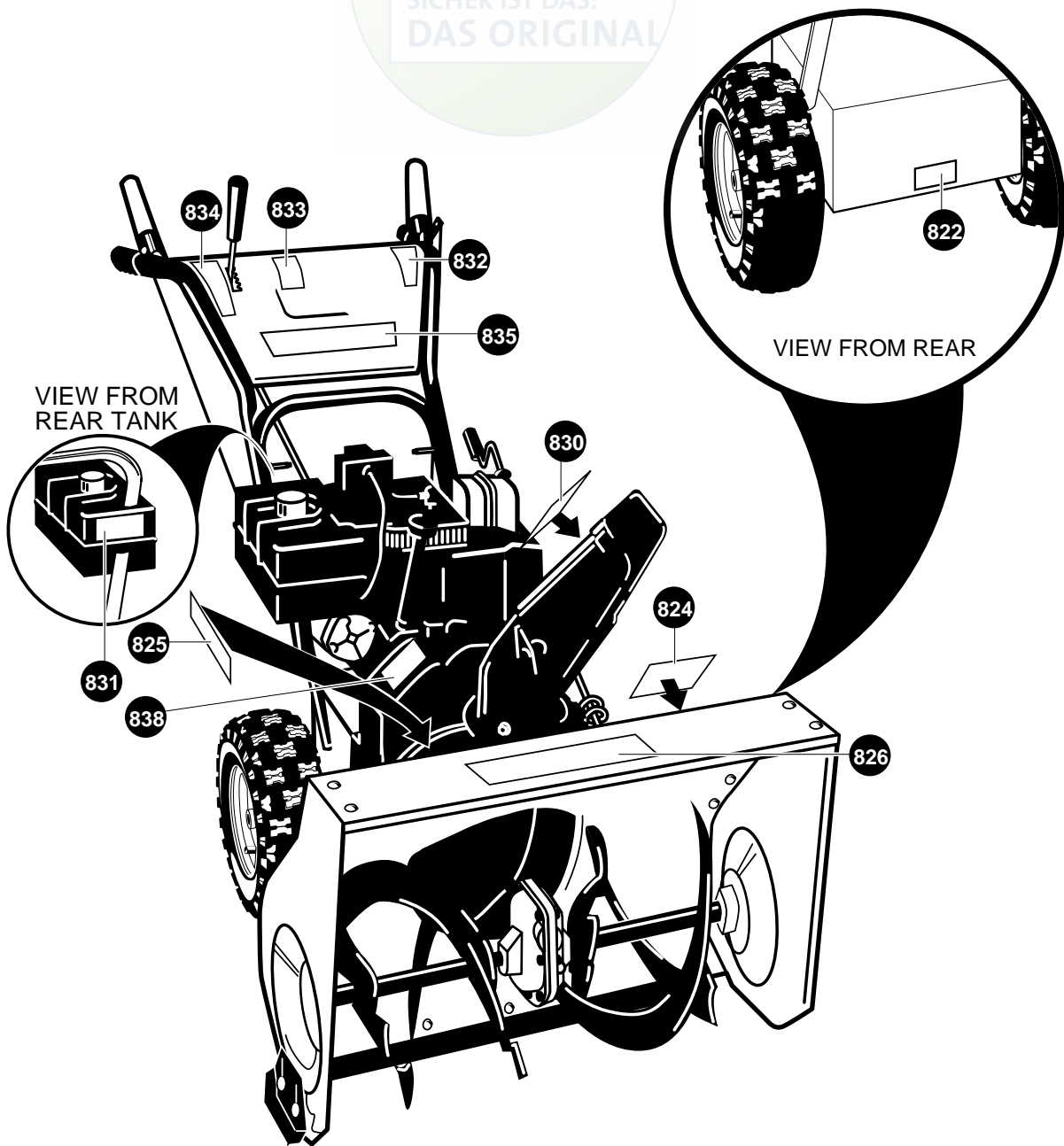


| REF. NO | PART NO. | PART NAME |
|---------|--------------|------------------------------|
| 760 | 601 00 15-56 | PANEL, CONTROL W/LIGHT |
| 761 | 601 00 15-57 | SCREW, 5/16-18X1.75 |
| 762 | 601 00 00-19 | FLATWASHER .344X.69X.065 |
| 763 | 601 00 00-23 | WASHER HVSP TLK .328X.60X.09 |
| 764 | 601 00 00-12 | NUT, 5/16-18 REGHEX |
| 766 | 601 00 15-58 | PLATE, PANEL |
| 770 | 601 00 15-59 | HANDLE ASSY SPEED CONTROL |
| 771 | 601 00 15-55 | SCREW 3/8-16X2.00 |
| 772 | 601 00 15-60 | SPRING |
| 773 | 601 00 00-20 | FLATWASHER .406X.81X.065 |
| 774 | 601 00 06-53 | NUT, 3/8-16 HEXNYL |
| 776 | 601 00 17-48 | BRACKET, SPEED CONTROL |
| 777 | 601 00 05-20 | SCREW, 5/16-18X.75 WAHHTAP |
| 780 | 601 00 00-25 | PIN, COTTER .090DIA X.75LG |
| 781 | 601 00 00-19 | FLATWASHER, .344X.69X.065 |
| 784 | 601 00 15-62 | ROD, SPEED CONTROL |
| 788 | 601 00 15-63 | NUT, TRUNNION 5/16-24 |
| 789 | 601 00 00-19 | FLATWASHER .344X.69X.065 |
| 790 | 601 00 00-25 | COTTER PIN .090DIA X.73LG |
| 811 | 601 00 15-64 | BEARING, FLANGED |
| 812 | 601 00 15-65 | ROD, ASSY YOKE "PANEL" |
| 813 | 601 00 00-60 | NUT 3/8-16 REGHEX CTRLK |
| 920 | 601 00 02-36 | HANDLE, 3/8-16 MOLDED |
| 921 | 601 00 00-60 | NUT, 3/8-16 REGHEX CTRLK |

319052F

24" SNOW THROWER MODEL ST 724

DECALS

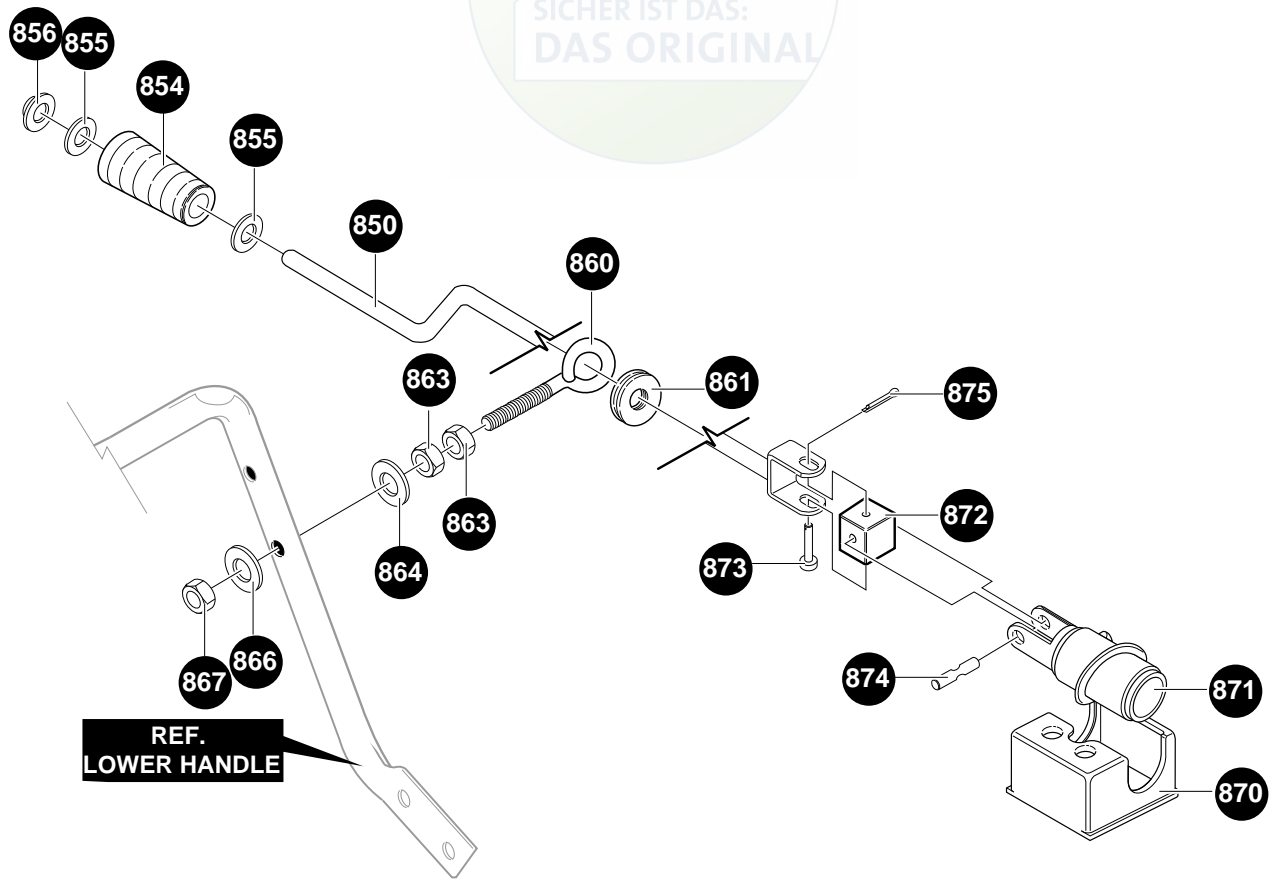


| REF. NO | PART NO. | PART NAME |
|---------|--------------|----------------------------|
| 822 | 601 00 15-75 | DECAL, OVER ADJ OF DISC |
| 824 | 601 00 15-76 | DECAL, DANGER FOOT SYM |
| 825 | 601 00 15-77 | DECAL, DUAL STAGE |
| 826 | 601 00 18-41 | DECAL, AUGER HOUSING TOP |
| 830 | 601 00 15-79 | DECAL, DANGER FINGER |
| 831 | 601 00 15-80 | DECAL, FREE IMPELLER |
| 832 | 601 00 15-81 | DECAL, TRACT DR -CHUTE ROT |
| 833 | 601 00 15-82 | DECAL, SNOW CONDITIONS |
| 834 | 601 00 15-83 | DECAL, GEAR SELECT/AUGER |
| 835 | 601 00 18-42 | DECAL, HANDLE PANEL |
| 838 | 601 00 15-85 | DECAL, BELT STRETCH ADJ. |

334544C

24" SNOW THROWER MODEL ST 724

CHUTE CONTROL ROD REPAIR PARTS



| REF. NO | PART NO. | PART NAME |
|---------|--------------|---------------------------|
| 850 | 601 00 17-49 | CRANK ASSY W/YOKE |
| 854 | 601 00 15-69 | KNOB, SLEEVE |
| 855 | 601 00 00-20 | FLATWASHER .406X.81X.065 |
| 856 | 601 00 12-91 | NUT, PUSH ON 3/8" |
| 860 | 601 00 17-50 | EYE BOLT, 3/8-16X6.00 |
| 861 | 601 00 14-08 | GROMMET, EYE BOLT |
| 863 | 601 00 14-09 | NUT, 3/8-16 HEXJAM |
| 864 | 601 00 00-20 | FLATWASHER .406X.81X.065 |
| 866 | 601 00 00-20 | FLATWASHER, .406X.81X.065 |
| 867 | 601 00 06-53 | NUT, 3/8-16 REGHEX |
| 870 | 601 00 18-30 | BRACKET, WORM MOUNTING |
| 871 | 601 00 18-31 | WORM GEAR CHUTE ROTATE |
| 872 | 601 00 18-32 | BLOCK, UNIV. PIVOT |
| 873 | 601 00 18-33 | PIN, CLEVIS |
| 874 | 601 00 18-34 | PIN, UNIV. JOINT |
| 875 | 601 00 18-35 | COTTER PIN .06X.50 |

336677A