

For Husqvarna Parts Call 606 678 9623 or



Husqvarna

61

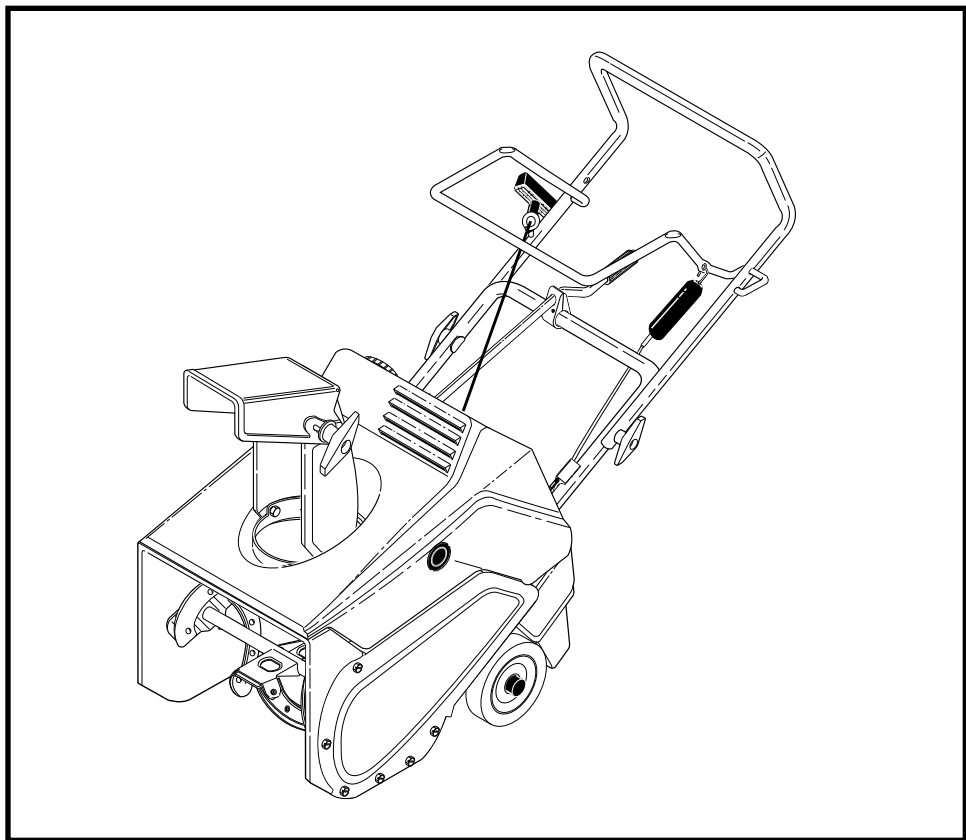
4983



13

SICHER IST DAS ORIGINAL

ST521E



1.1997

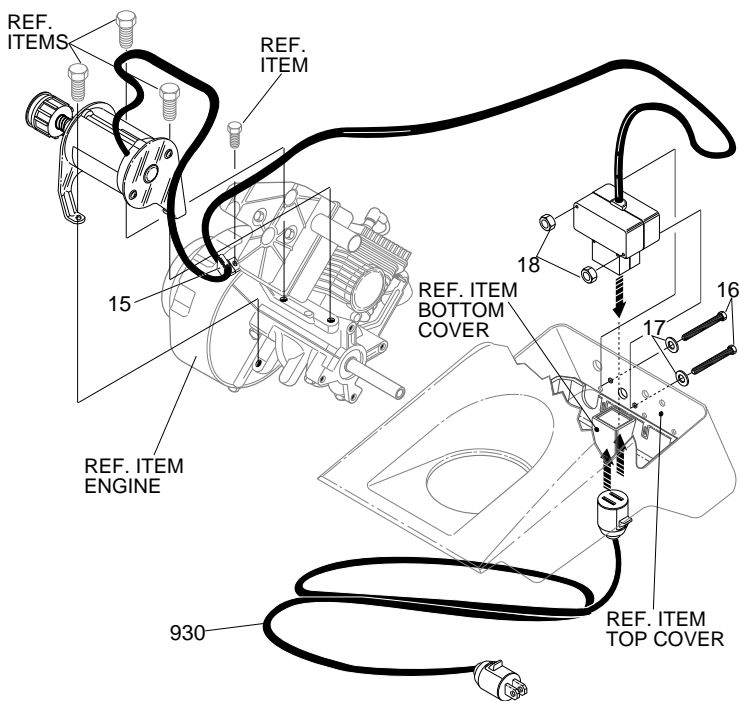
Spare Parts

For Husqvarna Parts Call 606-678-9623 or
21" SNOW THROWER MODEL ST521E

606-561-4983

ELECTRIC START ASSEMBLY

SICHER IST DAS:
DAS ORIGINAL



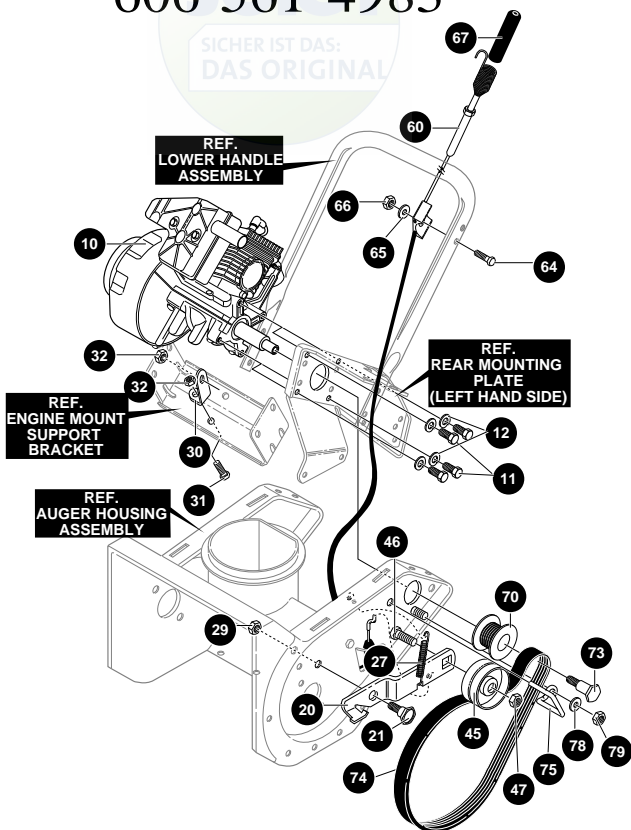
REF NO.	PART NO.	PART NAME
15	601 00 06-31	RETAINER, WIRE
16	601 00 14-18	SCREW, #8-32X3.00
17	601 00 05-33	FLATWASHER .188X.38X.040
18	601 00 14-19	NUT, #8-32 HEXKEPS
930	601 00 14-20	EXTENSION CORD 10FT.
	601 00 20-79	OWNER'S MANUAL ENG/FR

313974A

Note: Always use original equipment parts. Use of service/replacement parts other than original parts may void your warranty.

All unnumbered items are interchangeable with opposite side

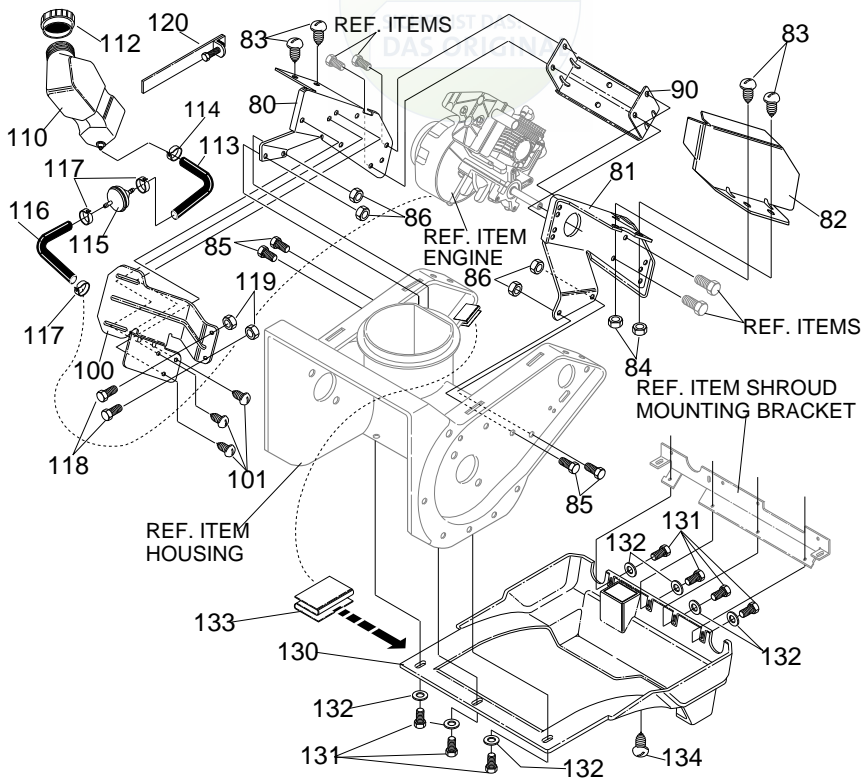
SICHER IST DAS:
DAS ORIGINAL



REF NO.	PART NO.	PART NAME
10	ENGINE	5HP (See Engine Manual)
11	601 00 00-73	SCREW, 5/16-18X.75
12	601 00 00-23	WASHER, .328X.60X.09
20	601 00 17-34	BRACKET, IDLER ARM
21	601 00 17-51	SH. BOLT 5/16-18
27	601 00 17-53	SPRING, IDLER BRAKE
29	601 00 00-59	NUT, 5/16-18 RGHXCTRLK
30	601 00 17-54	SUPPORT, ENGINE
31	601 00 16-40	SCREW 5/16-18X.50
32	601 00 00-59	NUT, 5/16-18REGHXCTRLK
45	601 00 17-55	PULLEY, IDLER
46	601 00 17-56	CARR. BOLT, 3/8-16X1.50
47	601 00 13-35	NUT, 3/8-16 CTRLKJAM
60	601 00 17-57	CABLE, DRIVE CONTROL
64	601 00 17-58	SCREW 1/4-20X1.50
65	601 00 00-18	FLATWASHER
66	601 00 15-17	NUT, 1/4-20 RGHXCTRLK
67	601 00 17-59	COVER, CABLE SPRING
70	601 00 17-60	PULLEY, 4.5HP POLY V
73	601 00 20-80	SH. BOLT .625X.282
74	601 00 20-81	BELT, POLY
75	601 00 20-82	GUIDE, BELT
78	601 00 00-20	FLATWASHER
79	601 00 00-59	NUT, 5/16-18REGHXCTRLK

340514 B

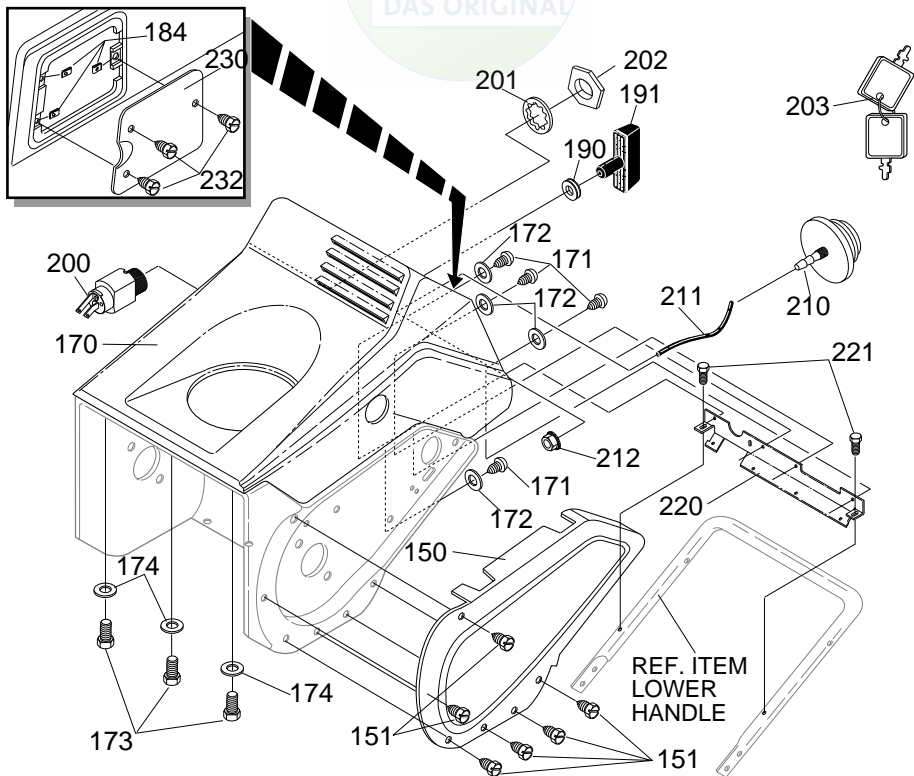
FRAME COMPONENTS ASSEMBLY



REF NO.	PART NO.	PART NAME
80	601 00 17-67	PLATE, REAR MT. RH
81	601 00 17-68	PLATE, REAR MT. LH
82	601 00 17-69	SHIELD, ENGINE HEAT
83	601 00 17-70	SCREW 1/4-20X.63
84	601 00 08-27	NUT, 1/4-20 MACK LOCK
85	601 00 16-40	SCREW 5/16-18X.50
86	601 00 00-59	NUT, 5/16-18 RGHXCTRLK
90	601 00 17-71	SUPPORT, FRAME ENG MT.
100	601 00 17-72	BRACKET, GAS TANK
101	601 00 17-73	SCREW, #10-24X.63
110	601 00 17-74	TANK, FUEL
112	601 00 17-75	CAP, FUEL
113	601 00 17-76	TUBING 8 INCHES
114	601 00 05-54	CLAMP, HOSE SCREW TYPE
115	601 00 17-77	FILTER, IN LINE
116	601 00 17-78	TUBING, 3 INCHES
117	601 00 17-79	CLAMP, HOSE
118	601 00 13-66	SCREW 10-24X.50
119	601 00 13-67	NUT, #10-24 REGHXCTRLK
120	601 00 17-80	CLAMP, WORM
130	601 00 20-84	SHROUD, BOTTOM
131	601 00 17-82	SCREW #10-24X.63 TAP
132	601 00 17-03	FLATWASHER
133	601 00 17-83	CLIP, "S" TINNEMAN
134	601 00 08-83	SCREW, 10-16X.50

320530 B

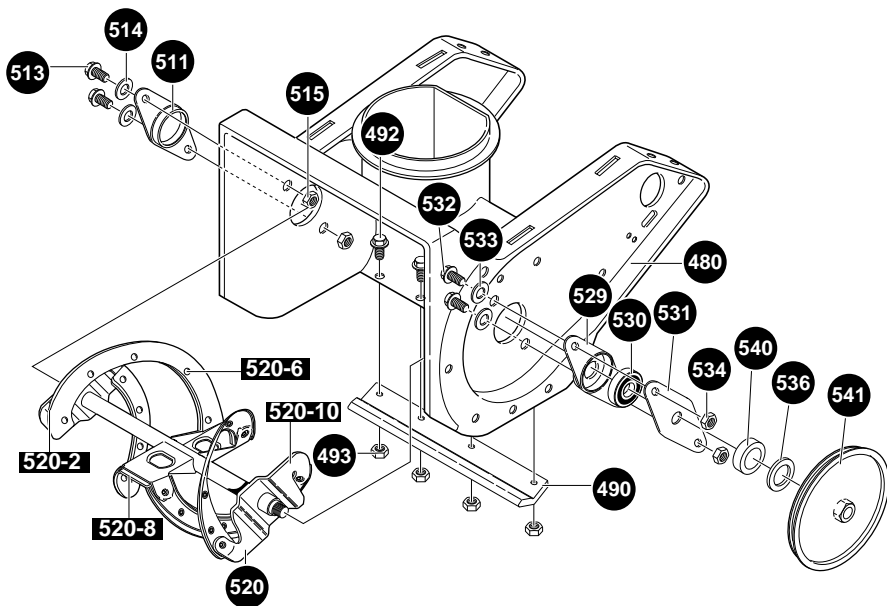
SICHER IST DAS:
DAS ORIGINAL



REF NO.	PART NO.	PART NAME
150	601 00 17-84	BELT COVER
151	601 00 05-14	SCREW, 10-24X.38
170	601 00 17-85	COVER, TOP
171	601 00 17-86	SCREW, #10-24X.50
172	601 00 17-03	FLATWASHER .203X.56X.049
173	601 00 17-87	SCREW, #10-24X.63
174	601 00 00-17	FLATWASHER .250X.56X.049
184	601 00 17-88	NUT, TINN "U" TYPE
190	601 00 13-55	GROMMET & WASHER
191	601 00 17-89	GRIP, MITTEN
200	601 00 13-58	SWITCH, IGNITION
201	601 00 13-59	WASHER, REGINTLK
202	601 00 13-60	NUT, 5/8-32 HXHD IGN. SWITCH
203	601 00 13-61	2 KEYS & RING ASSY
210	601 00 13-62	PRIMER, ENGINE
211	601 00 13-63	HOSE, PRIM
212	601 00 17-90	NUT, 1/4-20 HEXKEPS
220	601 00 17-91	BRACKET, SHROUD MTG
221	601 00 17-92	SCREW #10-24X.63 TAP
230	601 00 17-93	DOOR
232	601 00 17-94	SCREW #10-16X.75

313976 C

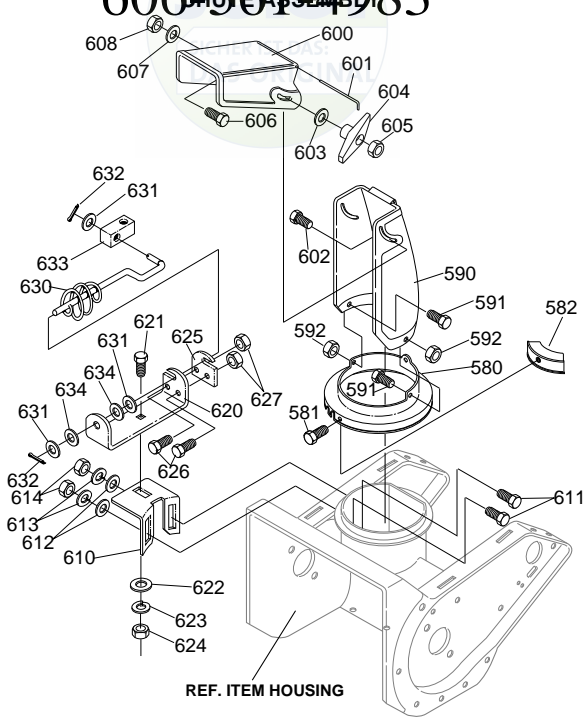
SICHER IST DAS:
DAS ORIGINAL



REF NO.	PART NO.	PART NAME
480	601 00 20-85	HOUSING, AUGER
490	601 00 17-96	SCRAPER BLADE
492	601 00 17-97	SCREW, 1/4-20X.63
493	601 00 08-27	NUT, 1/4-20 MAC-LOCK
511	601 00 13-79	BEARING, FLANGED
513	601 00 13-80	SCREW, 1/4-20X.88
514	601 00 00-18	FLATWASHER .281X.63X.065
515	601 00 08-27	NUT, 1/4-20 MAC-LOCK
520	601 00 17-98	AUGER, ASSY COMP
520-2	601 00 19-35	BLADE, AUGER
520-6	601 00 19-34	RIVET, OVSET
520-8	601 00 20-88	AUGER, ASSY COMP
520-10	601 00 17-98	AUGER & BLADE SUPP.
529	601 00 20-86	BEARING RETAINER
530	601 00 05-65	BALL BEARING
531	601 00 13-81	PLATE, RETAINER BRNG
532	601 00 00-68	SCREW 1/4-20X.75
533	601 00 00-18	FLATWASHER .281X.63X.065
534	601 00 00-62	NUT, 1/4-20 RGHXCTRLK
536	601 00 05-31	FLATWASHER .640X1.25X.06
540	601 00 20-87	SPACER, SLEV
541	601 00 20-95	PULLEY, RIBBED

340515 B

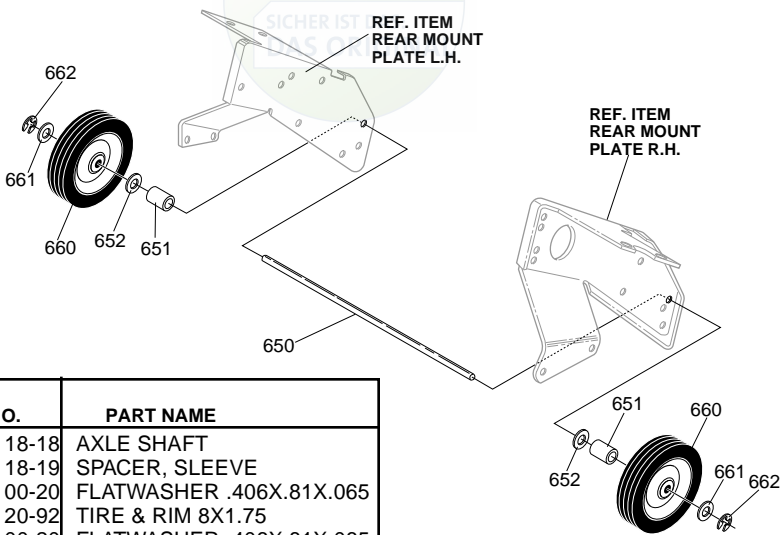
606-561-4983 CHUTE ASSEMBLY



REF NO.	PART NO.	PART NAME
580	601 00 18-01	LOWER CHUTE RING
581	601 00 18-02	SCREW 1/4-14X.63
582	601 00 18-03	CLIP, CHUTE RING
590	601 00 18-04	LOWER CHUTE
591	601 00 00-66	SCREW, 1/4-20X.50
592	601 00 08-27	NUT, 1/4-20 MAC-LOCK
600	601 00 18-05	UPPER CHUTE
601	601 00 13-89	WIRE, HINGE
602	601 00 13-90	CARR. BOLT 5/16-18X1.25
603	601 00 00-19	FLATWASHER
604	601 00 06-84	KNOB, T 2BLADE
605	601 00 00-12	NUT, 5/16-18 REGHEX
606	601 00 20-38	SCREW 5/16-18X.75
607	601 00 00-19	FLATWASHER
608	601 00 00-59	NUT, 5/16-18 RGHXCTRLK
610	601 00 20-89	BRACKET, WORM ADJUST
611	601 00 14-11	CARR. BOLT 5/16-18X.75
612	601 00 00-19	FLATWASHER
613	601 00 00-23	WASHER, HVSPTLK
614	601 00 00-12	NUT, 5/16-18 REGHEX
620	601 00 20-91	BRACKET, CHUTE ROD
621	601 00 14-11	CARR. BOLT 5/16-18X.75
622	601 00 00-19	FLATWASHER
623	601 00 00-23	WASHER, HVSPTLK
624	601 00 00-12	NUT, 5/16-18 REGHEX
625	601 00 18-09	PLATE, CHUTE ROD
626	601 00 00-66	SCREW 1/4-20X.50
627	601 00 00-62	NUT, 1/4-20 RGHXCTRLK
630	601 00 18-10	ROD, ASSY CHUTE CTRL
631	601 00 18-51	FLATWASHER
632	601 00 00-25	COTTER PIN
633	601 00 18-11	BLOCK, PIVOT
634	601 00 14-04	WASHER, CURVED SPRING

314356 E

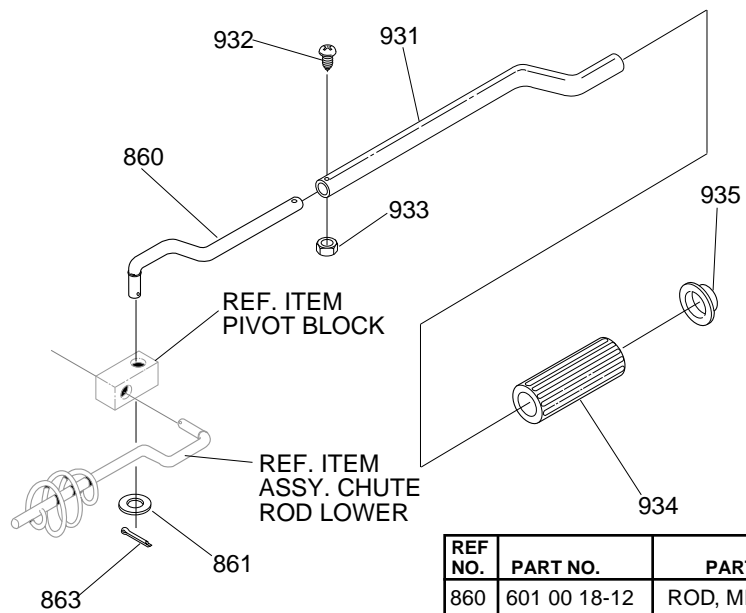
WHEEL ASSEMBLY



REF NO.	PART NO.	PART NAME
650	601 00 18-18	AXLE SHAFT
651	601 00 18-19	SPACER, SLEEVE
652	601 00 00-20	FLATWASHER .406X.81X.065
660	601 00 20-92	TIRE & RIM 8X1.75
661	601 00 00-20	FLATWASHER .406X.81X.065
662	601 00 14-30	RING, RET.

334817 A

CHUTE ROD ASSEMBLY



REF NO.	PART NO.	PART NAME
860	601 00 18-12	ROD, MID CHUTE CTRL
861	601 00 18-10	FLATWASHER .40X.75X.025
863	601 00 00-25	COTTER PIN
931	601 00 18-13	ROD CHUTE CTRL UPPER
932	601 00 18-14	SCREW 10-32X.88
933	601 00 18-15	NUT #10-32 CTRLK
934	601 00 18-16	KNOB, CHUTE CRANK
935	601 00 18-17	NUT, PUSH 3/8"

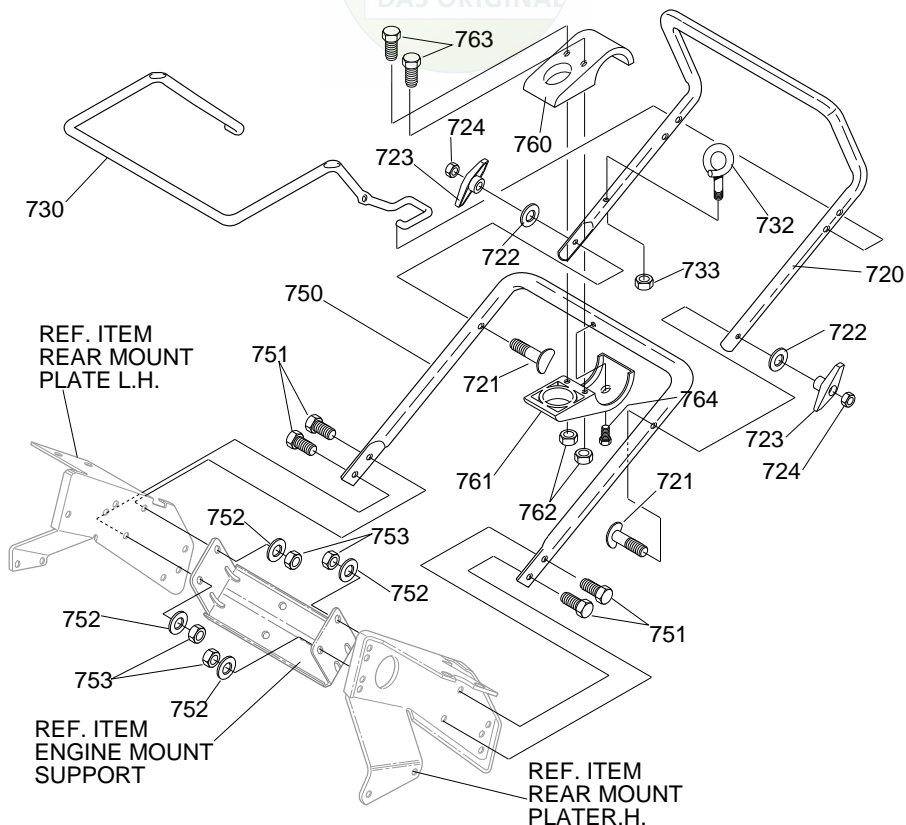
313981 B

For Husqvarna Parts Call 606-678-9623 or 606-561-4983

21" SNOW THROWER MODEL ST521E

HANDLE ASSEMBLY

SICHER IST DAS:
DAS ORIGINAL

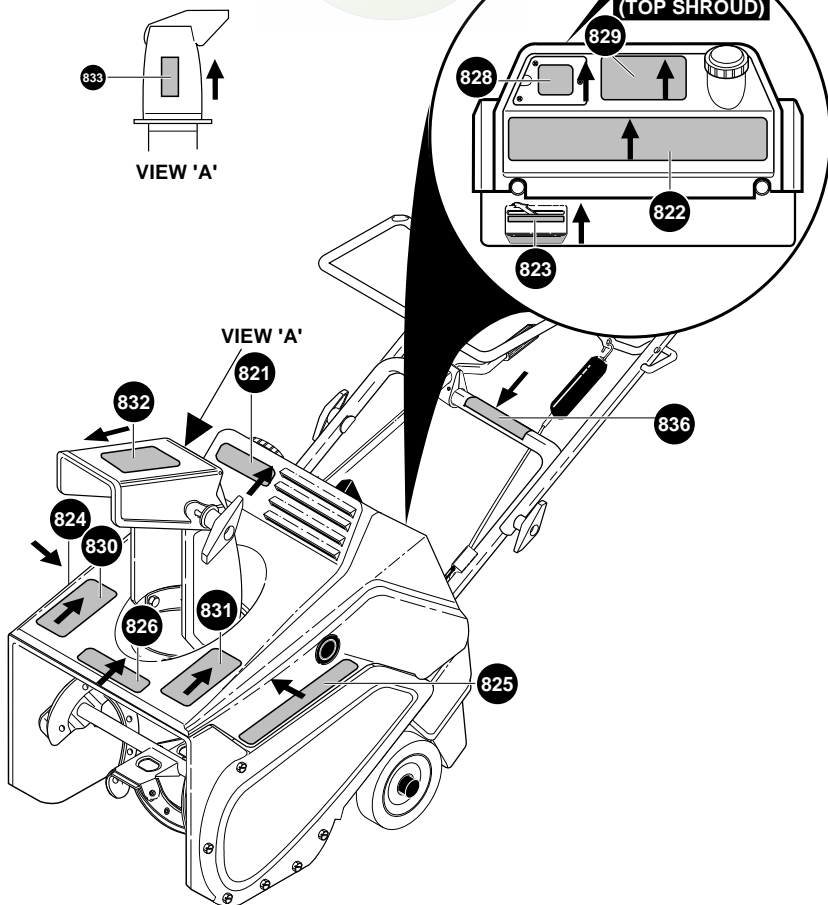


REF NO.	PART NO.	PART NAME
720	601 00 21-49	HANDLE & FOAM ASSY
721	601 00 14-00	BOLT, 5/16-18X2.00 CUH
722	601 00 14-01	FORMED WASHER
723	601 00 06-84	KNOB, T 2/BLADE
724	601 00 00-12	NUT, 5/16-18 REGHEX
730	601 00 18-22	CONTROL DRIVE BAR
732	601 00 21-51	ROPE GUIDE
733	601 00 00-59	NUT, 5/16-18 RGHXCTRLK
750	601 00 18-23	LOWER HANDLE
751	601 00 00-73	SCREW 5/16-18X.75
752	601 00 00-19	FLATWASHER
753	601 00 00-59	NUT, 5/16-18 RGHXCTRLK
760	601 00 18-24	BRKT, HALF CHUTE CRANK
761	601 00 18-25	BRKT, HALF CHUTE CRANK
762	601 00 16-42	NUT #10-24 HEXNYLLK
763	601 00 18-26	SCREW #10-24X1.00
764	601 00 14-45	SCREW 1/4-20X.63 TAP.

314468 B

For Husqvarna Parts Call 606-678-9623 or 606-561-4983

↑ Symbol denotes top of decal application.



REF NO.	PART NO.	PART NAME
821	601 00 20-98	DECAL, CROWN LOGO
822	601 00 18-28	DECAL, CONTROL PANEL ES
823	601 00 18-29	DECAL, OFF-CHOKE-ON
824	601 00 20-99	DECAL, ST521E SIDE PANEL
826	601 00 20-96	DECAL, HUSQVARNA TOP COVER
828	601 00 18-78	DECAL, FUEL MIX ENG/FR
829	601 00 18-79	DECAL, START INSTRU ENG/FR
830	601 00 14-16	DECAL, DANGER CHUTE ENG/FR
831	601 00 14-17	DECAL, DANGER AUGER ENG/FR
832	601 00 20-97	DECAL, HUSQ "CROWN"
833	601 00 18-81	DECAL, SAFETY INSTRU ENG/FR
836	601 00 21-15	DECAL, AUGER CONTROL BAR

337295E