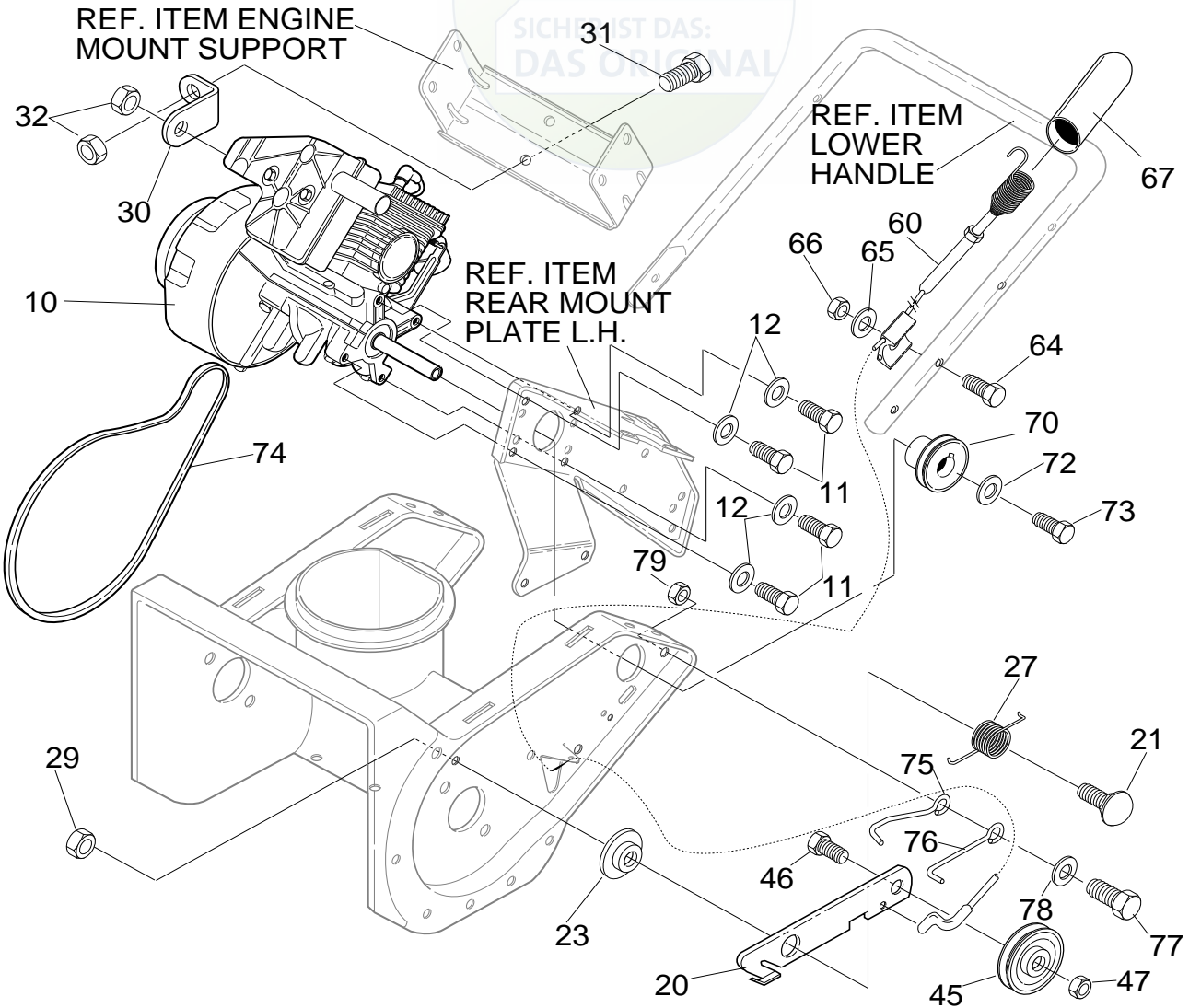


21" SNOWTHROWER MODEL ST21M

MOTOR AND DRIVE REPAIR PARTS

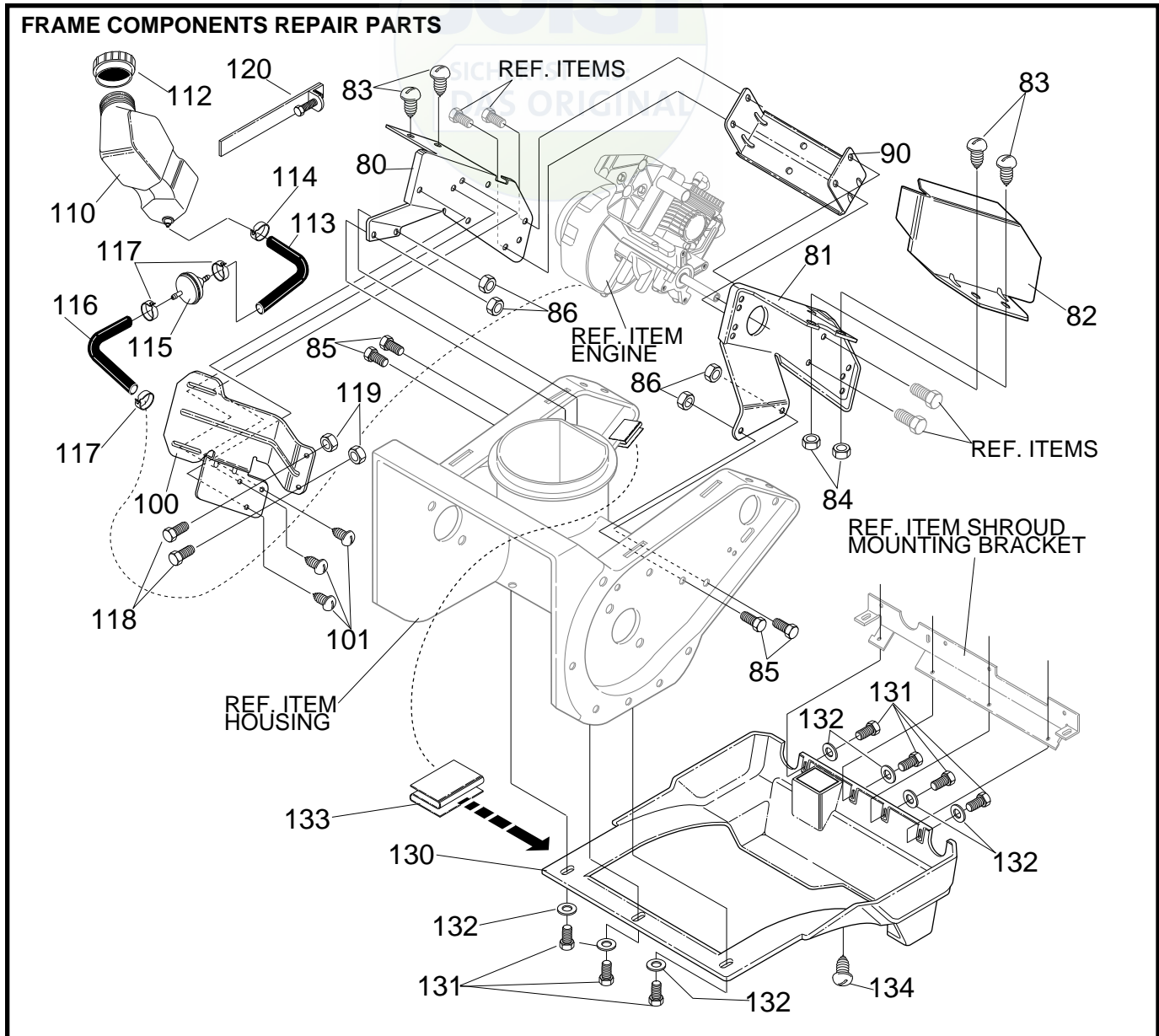


REF. NO.	PART NO.	PART NAME
10		ENGINE, 5HP 2CY (SEE ENGINE MANUAL)
11	601 00 00-78	SCREW, 5/16-18X .75 HHC
12	601 00 00-23	WASHER, HVSPTLK
20	601 00 17-34	BRKT, IDLER ARM
21	601 00 17-51	BOLT, IDLER ARM
23	601 00 17-52	SPACER, .38X1.25X.324
27	601 00 17-53	SPRING,TORSION,BRAKE
29	601 00 13-35	NUT, 3/8-16 HXCTRLKJAM
30	601 00 17-54	SUPPORT, ENGINE
31	601 00 16-40	SCREW, 5/16-18X .50 HHC
32	601 00 00-59	NUT, 5/16-18 REGHEXCTRLK
45	601 00 17-55	PULLEY, IDLER1.88X.5X.38
46	601 00 17-56	BOLT, 3/8-16X1.25 SPCARR
47	601 00 13-35	NUT, 3/8-16 HXCTRLKJAM
60	601 00 17-57	CABLE, DRIVE CONTROL

REF. NO.	PART NO.	PART NAME
64	601 00 17-58	SCREW, 1/4-20X1.50 HHC
65	601 00 00-18	FLATWASHER .281X.63X.065
66	601 00 00-62	NUT, 1/4-20 REGHEXCTRLK
67	601 00 17-59	COVER, CABLE SPRING
70	601 00 17-60	PULLEY HALF, 3L 2.00
72	601 00 05-47	FLATWASHER .333X.87X.119
73	601 00 17-61	SCREW, 5/16-24X .88
74	601 00 17-62	BELT, V3L X 35, .048 D
75	601 00 17-63	GUIDE, BELT .38IDX2.66
76	601 00 17-64	GUIDE, BELT .38IDX3.30 OFF
77	601 00 17-65	SCREW, 3/8-16X1.00 HHC
78	601 00 00-20	FLATWASHER .406X.81X.065
79	601 00 00-60	NUT, 3/8-16 REGHXCTRLK
	601 00 18-84	OWNER'S MANUAL

320459 B

21" SNOW THROWER MODEL ST21M



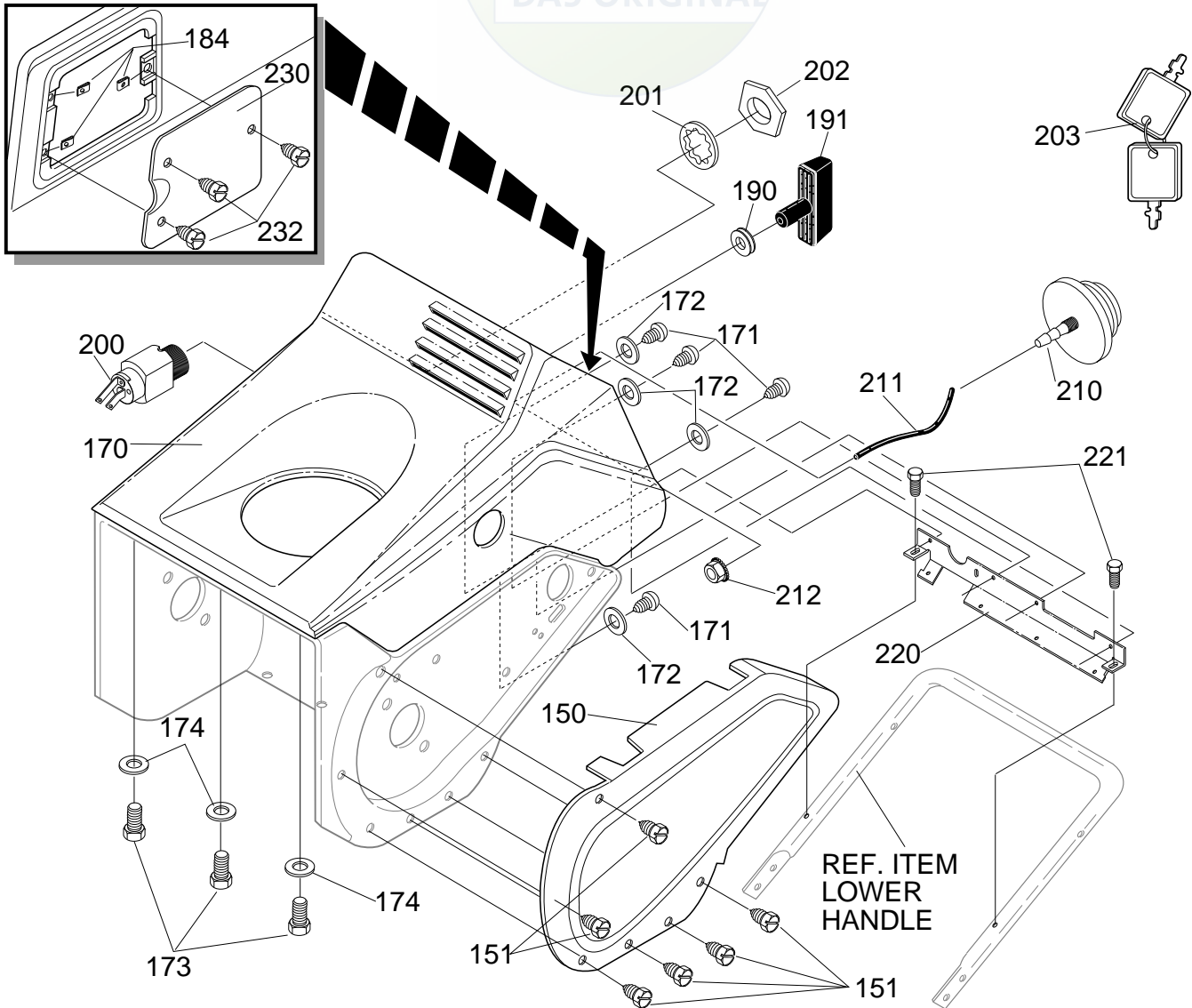
REF. NO.	PART NO.	PART NAME
80	601 00 17-67	PLATE, REAR MT. RH
81	601 00 17-68	PLATE, REAR MT. LH
82	601 00 17-69	SHIELD, ENGINE HEAT
83	601 00 17-70	SCREW, 1/4-20X .63
84	601 00 08-27	NUT, 1/4-20 WDFL
85	601 00 16-40	SCREW, 5/16-18X .50 HHC
86	601 00 00-59	NUT, 5/16-18 REGHEXCTRLK
90	601 00 17-71	SUPPORT, FRAME ENG. MNT
100	601 00 17-72	BRACKET, GAS TANK 2CY
101	601 00 17-73	SCREW, #10-24X .63
110	601 00 17-74	TANK, FUEL, 1.62 QT.
112	601 00 17-75	CAP, FUEL, W/2654 SEAL
113	601 00 17-76	TUBING, GAS LINE 8 IN.
114	601 00 05-54	CLAMP, HOSE SCREW TYPE
115	601 00 17-77	FILTER, IN-LINE

REF. NO.	PART NO.	PART NAME
116	601 00 17-78	TUBING, GAS LINE 3IN.
117	601 00 17-79	CLAMP, HOSE
118	601 00 13-66	SCREW, 10-24X .50
119	601 00 13-67	NUT, #10-24 REGHEXCTRLK
120	601 00 17-80	CLAMP, WORM DR
130	601 00 17-81	SHROUD, BOTTOM
131	601 00 17-82	SCREW, #10-24X .63
132	601 00 17-03	FLATWASHER .203X.56X.040
133	601 00 17-83	CLIP, "S" TINNEMAN
134	601 00 08-83	SCREW, 10-16X .50

320530 B

21" SNOWTHROWER MODEL ST21M

BELT COVER REPAIR PARTS

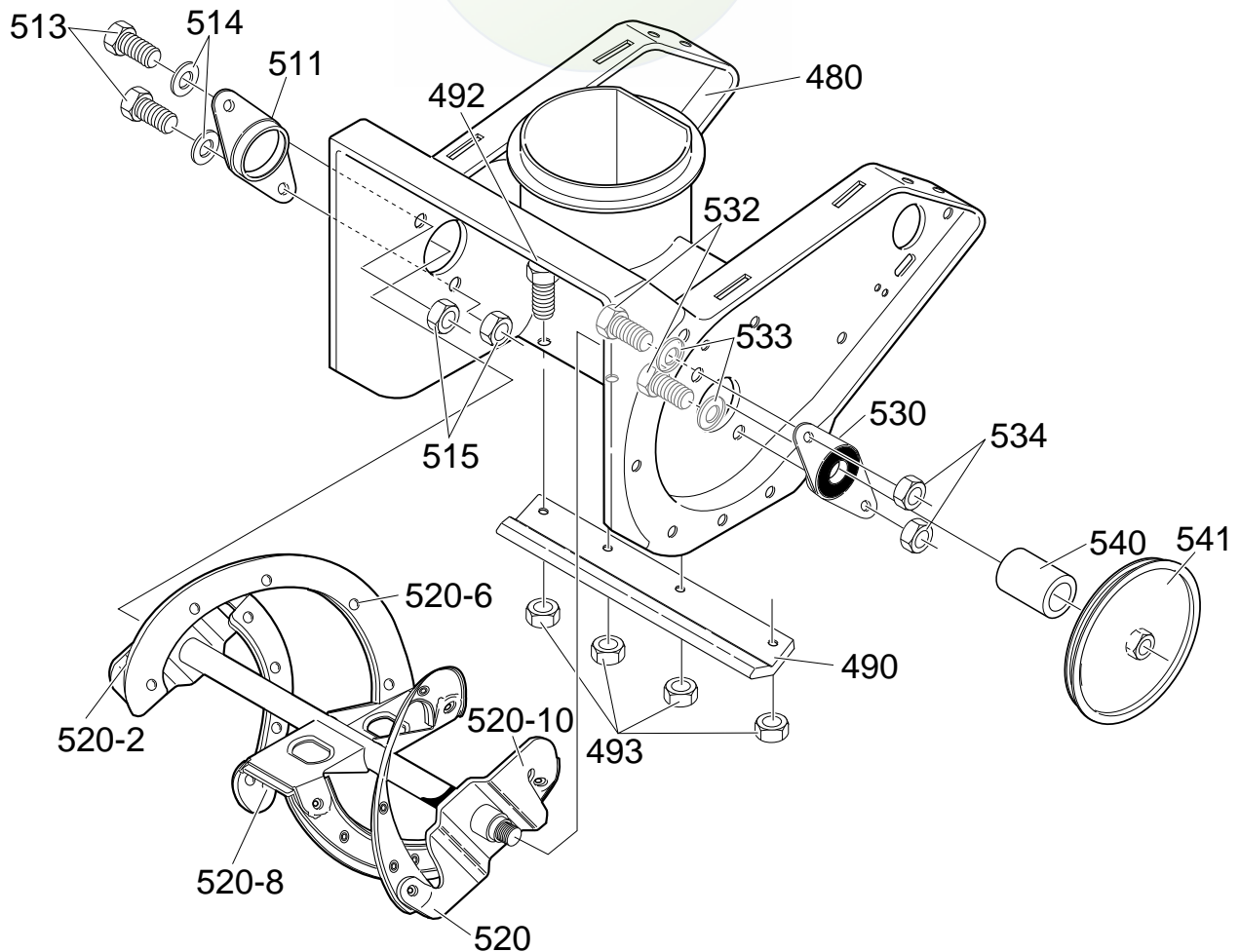


REF. NO.	PART NO.	PART NAME
150	601 00 17-84	COVER, BELT
151	601 00 05-14	SCREW, 10-24X.38 SLHWATAP
170	601 00 17-85	COVER, TOP
171	601 00 17-86	SCREW, #10-24X .63 TRPHTAP
172	601 00 17-03	WASHER, FLAT
173	601 00 17-87	SCREW, #10-14X.63
174	601 00 00-17	WASHER, FLAT
184	601 00 17-88	NUT, TINN "U"
190	601 00 13-55	GROMMET & WASHER, ROPE GUIDE
191	601 00 17-89	KNOB, PLASTIC

REF. NO.	PART NO.	PART NAME
200	601 00 13-58	SWITCH, IGNITION
201	601 00 13-59	WASHER, REGINTLK
202	601 00 13-60	NUT, 5/8-32 HXHD IGN SWIT
203	601 00 13-61	2 KEYS & RING, ASSY
210	601 00 13-62	PRIMER, ENGINE 2CY
211	601 00 13-63	HOSE, PRIM 5.75LG
212	601 00 17-90	NUT, 1/4-20 HEXKEPS
220	601 00 17-91	BRACKET, SHROUD MNTG
221	601 00 17-92	SCREW, #10-24X .63 TRPHTAP
230	601 00 17-93	DOOR, ACCESS
232	601 00 17-94	SCREW #10-16X.75

21" SNOW THROWER MODEL ST21M

AUGER HOUSING REPAIR PARTS

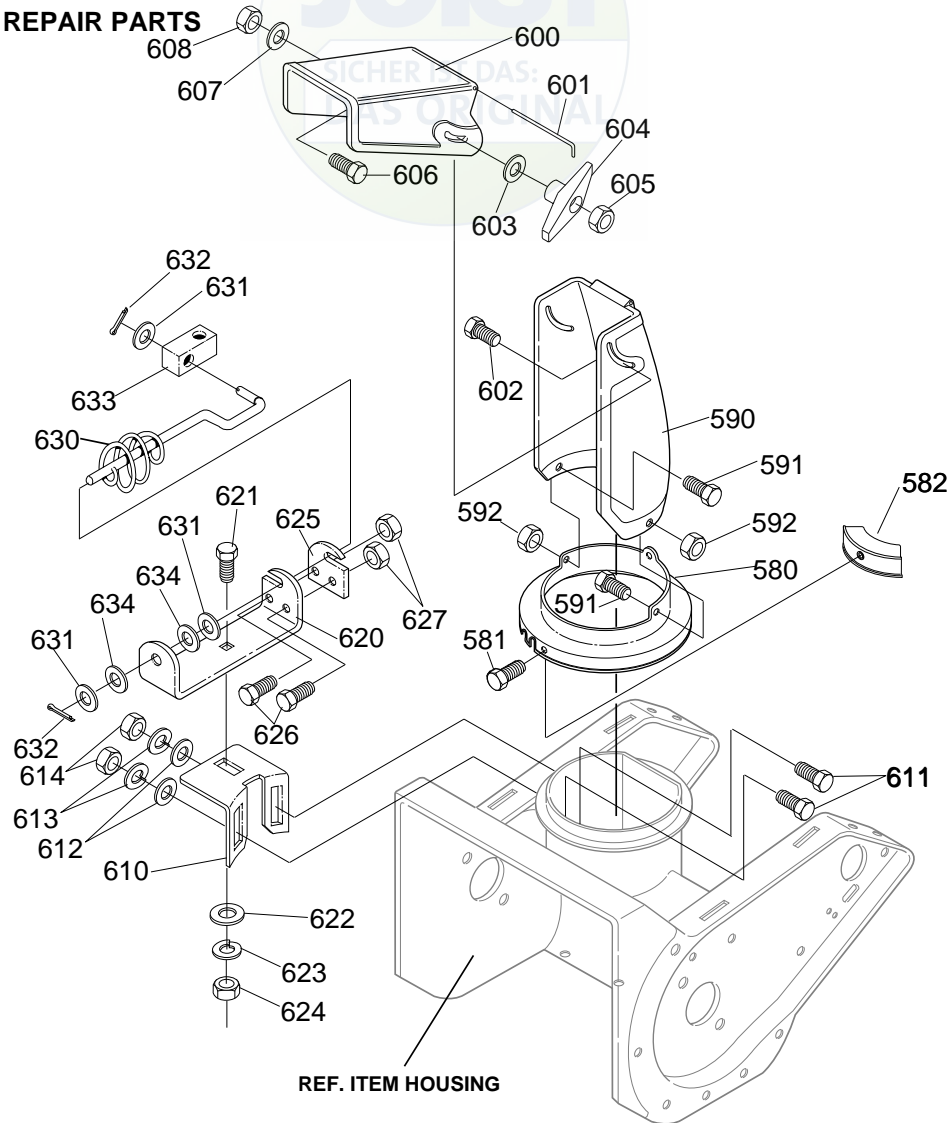


REF. NO.	PART NO.	PART NAME
480	601 00 17-95	HSNG, ASSY AUG 21"
490	601 00 17-96	BLADE, SCRAP 20.88 PLAST
492	601 00 17-97	SCREW, 1/4-20X .63 SLTRMA
493	601 00 08-27	NUT, 1/4-20 WDFL MAC-LOCK
511	601 00 13-79	BRNG, FL.670IDX1.25 ODX .88
513	601 00 13-80	SCREW, 1/4-20X .88 HHC
514	601 00 00-18	WASHER, FLAT .281X .63X.065
515	601 00 08-27	NUT, 1/4-20 WDFL MAC-LOCK
520	601 00 17-98	AUGER, ASSY COMP 2CY 21"
530	601 00 13-72	BRNG & PLATE, ASSY
532	601 00 00-68	SCREW, 1/4-20X .75 HHC
533	601 00 00-18	WASHER, FLAT .281X .63X.065
534	601 00 00-62	NUT, 1/4-20 REGHEXCTRLK
540	601 00 17-99	SPACER, SLEV .640X .88X .732
541	601 00 18-00	PULLEY, V-GROOVE 6" OD

314349 B

21" SNOW THROWER MODEL ST21M

DISCHARGE CHUTE REPAIR PARTS



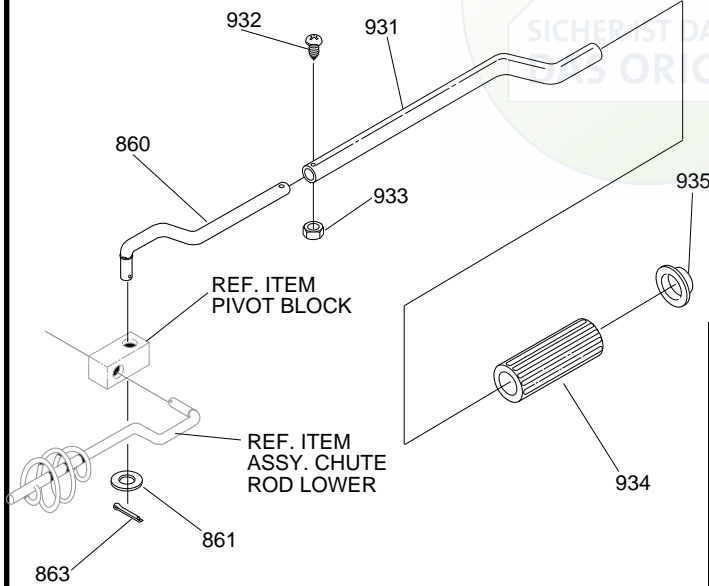
REF. ITEM HOUSING

REF. NO.	PART NO.	PART NAME
580	601 00 18-01	RING, LOWER CHUTE
581	601 00 18-02	SCREW, 1/4-14X .63 HWATAP
582	601 00 18-03	CLIP, CHUTE RING PLASTIC
590	601 00 18-04	CHUTE, LWR SRS 8HP
591	601 00 00-66	SCREW, 1/4-20X .50 HHC
592	601 00 08-27	NUT, 1/4-20 WDFL MAC-LOCK
600	601 00 18-05	CHUTE, UPR SRS W/OHDLE
601	601 00 18-06	WIRE, HINGE 6.65LG SR
602	601 00 13-90	BOLT, 5/16-18X1.25 CARR
603	601 00 00-19	WASHER, FLAT .344X .69X.065
604	601 00 06-84	NOB, T 2BLADE W/516/18 NUT
605	601 00 00-12	NUT, 5/16-18 REGHEX
606	601 00 13-91	SCREW, 5/16-18X.75 SLTRMA
607	601 00 00-19	WASHER, FLAT .344X .69X.065
608	601 00 00-59	NUT, 5/16-18 REGHEXCTRLK
610	601 00 18-07	BRACKET, WORM ADJUST
611	601 00 14-11	BOLT, 5/16-18X .75 CARR
612	601 00 00-19	WASHER, FLAT .344X .69X.065

REF. NO.	PART NO.	PART NAME
613	601 00 00-23	WASHER, HVSPTLK
614	601 00 00-12	NUT, 5/16-18 REGHEXCTRLK
620	601 00 18-08	BRACKET, CHUTE ROD HOLDER
621	601 00 14-11	BOLT, 5/16-18X .75 CARR
622	601 00 00-19	WASHER, FLAT .344X .69X.065
623	601 00 00-23	WASHER, HVSPTLK
624	601 00 00-12	NUT, 5/16-18 REGHEXCTRLK
625	601 00 18-09	PLATE, CHUTE ROD
626	601 00 00-66	SCREW, 1/4-20X .50 HHC
627	601 00 00-62	NUT, 1/4-20 REGHEXCTRLK
630	601 00 18-10	ROD, ASSY CHUTE LWR
631	601 00 18-51	WASHER, FLAT .40 X .75X.025
632	601 00 00-25	PIN, COTTER .090 DIA X .75LG
633	601 00 18-11	BLOCK, PIVOT PLASTIC
634	601 00 14-04	WASHER, CURVED SPRING

21" SNOW THROWER MODEL ST21M

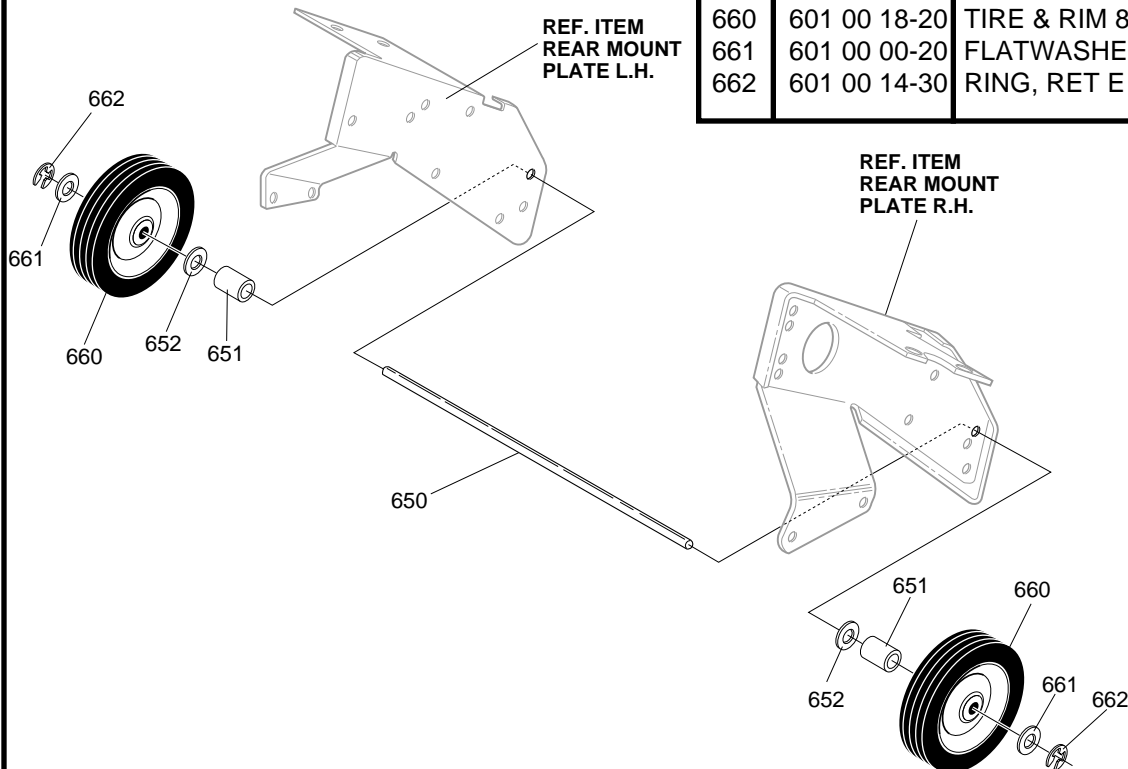
CHUTE CONTROL ROD REPAIR PARTS



REF. NO.	PART NO.	PART NAME
860	601 00 18-12	ROD, MID CHUTE CTL
861	601 00 18-10	WASHER, FLAT .40 X .75X.025
863	601 00 00-25	PIN, COTTER .090 DIA X .75LG
931	601 00 18-13	ROD CHUTE CTRL UPR, ASSY
932	601 00 18-14	SCREW, 10-32X .88 SLTRHD
933	601 00 18-15	NUT, #10-32 CTRLK
934	601 00 18-16	KNOB, CHUTE CRANK
935	601 00 18-17	NUT, PUSH, FITS 3/8 DIA

313981 B

WHEEL ASSEMBLY REPAIR PARTS

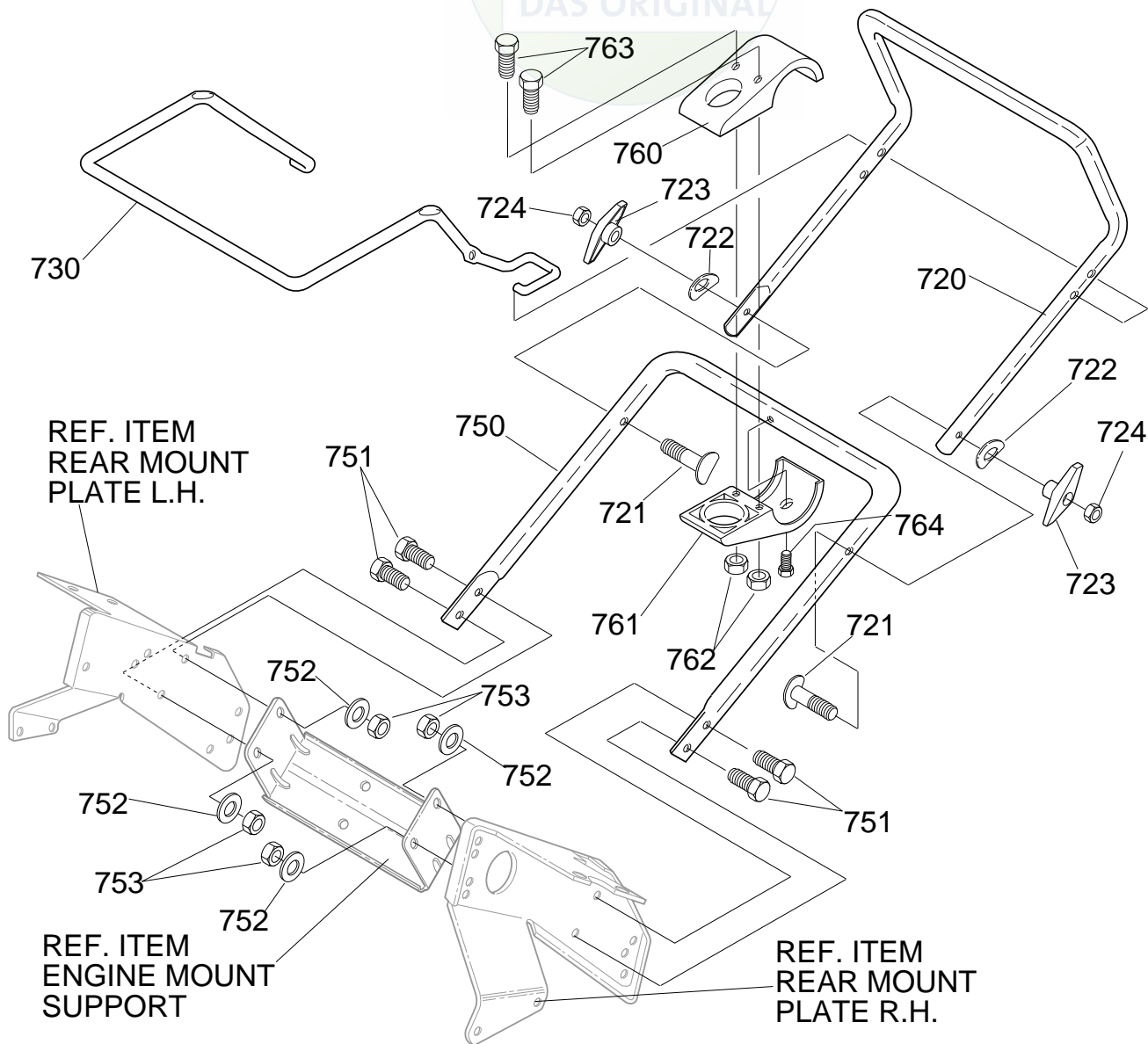


REF. NO.	PART NO.	PART NAME
650	601 00 18-18	SHAFT, AXLE 5/21 SC
651	601 00 18-19	SPACER, SLEV .407X .63X .440
652	601 00 00-20	FLATWASHER .406X.81X.065
660	601 00 18-20	TIRE & RIM 8X1.75
661	601 00 00-20	FLATWASHER .406X.81X.065
662	601 00 14-30	RING, RET E .30X.04

334817 A

21" SNOW THROWER MODEL ST21M

HANDLE REPAIR PARTS

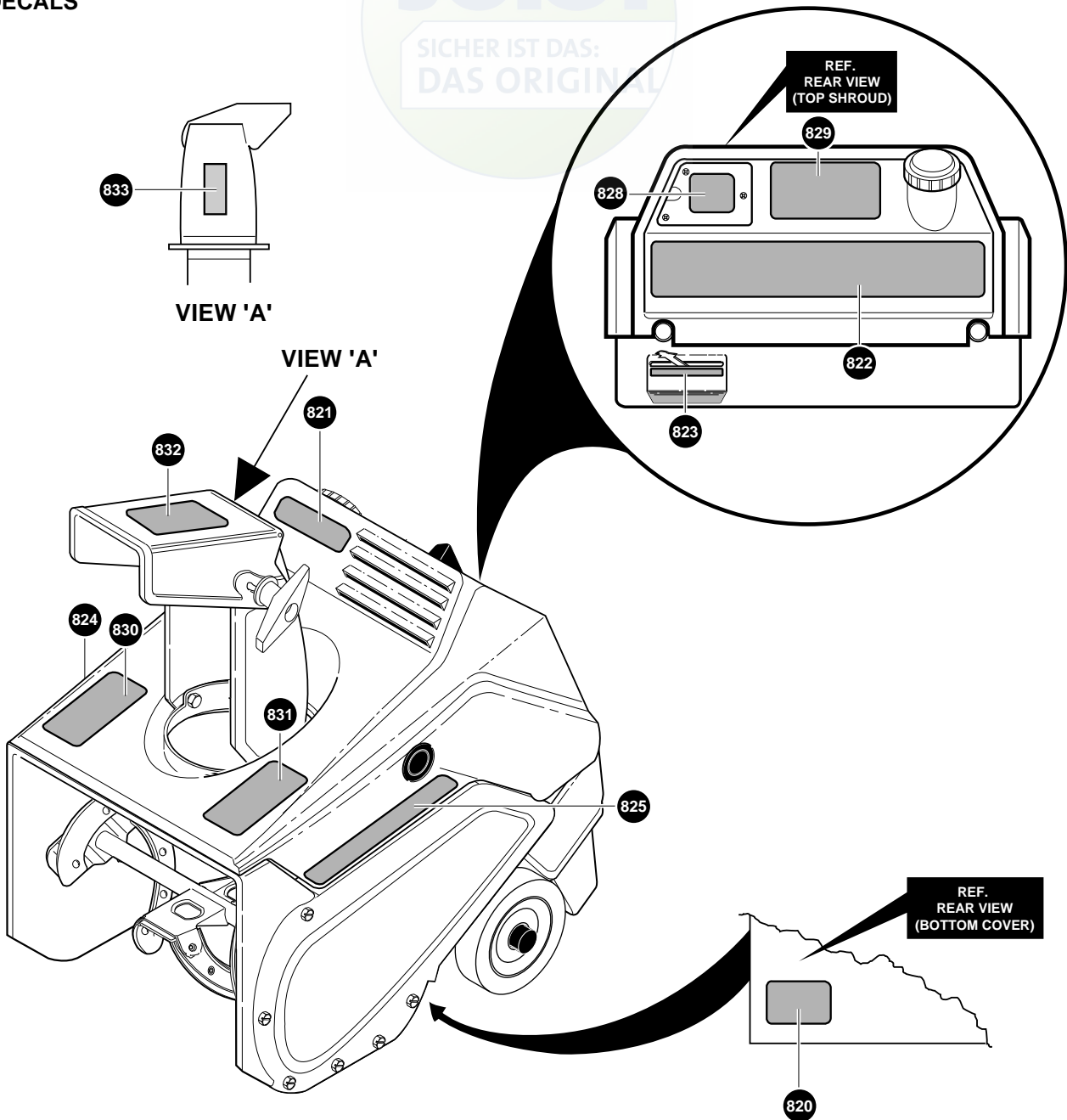


REF. NO.	PART NO.	PART NAME
720	601 00 18-71	HANDLE, UPR .88X18GA
721	601 00 14-00	BOLT, 5/16-18X1.75
722	601 00 14-01	WASHER, FORM .344 ID1.0 OD
723	601 00 06-84	KNOB, T 2BLADE W/NUT
724	601 00 00-12	NUT, 5/16-18 REGHEX
730	601 00 18-22	BAR, CONTROL DRIVE .31DIA
750	601 00 18-23	HANDLE, LWR
751	601 00 00-73	SCREW, 5/16-18X .75 HHC

REF. NO.	PART NO.	PART NAME
752	601 00 00-19	WASHER, FLAT
753	601 00 00-59	NUT, 5/16-18 REGHEXCTRLK
760	601 00 18-24	BRKT HALF, CHUTE CRANK
761	601 00 18-25	BRKT HALF, CHUTE CRANK
762	601 00 16-42	NUT, #10-24 HEXNYLK
763	601 00 18-26	SCREW, #10-24X1.00
764	601 00 14-45	SCREW, 1/4-20X .63

21" SNOW THROWER MODEL ST21M

DECALS



REF. NO.	PART NO.	PART NAME
820	-	REFERENCE ONLY
821	601 00 18-27	DECAL, HUSQVARNA
822	601 00 18-82	DECAL, CONTROL PANEL
823	601 00 18-29	DECAL, OFF-CHOKE-ON
824	601 00 18-52	DECAL, RH SHROUD SIDE
825	601 00 18-83	DECAL, LH SHROUD SIDE
828	601 00 18-78	DECAL, FUEL MIX
829	601 00 18-79	DECAL, START INSTRUCTIONS
830	601 00 14-16	DECAL, DANGER CHUTE ENG/FR
831	601 00 14-17	DECAL, DANGER AUGER ENG/FR
832	601 00 18-80	DECAL, HUSQVARNA CROWN
833	601 00 18-81	DECAL, SAFETY INSTRUCTIONS