

Rider 15V2

Spare parts

Ersatzteile

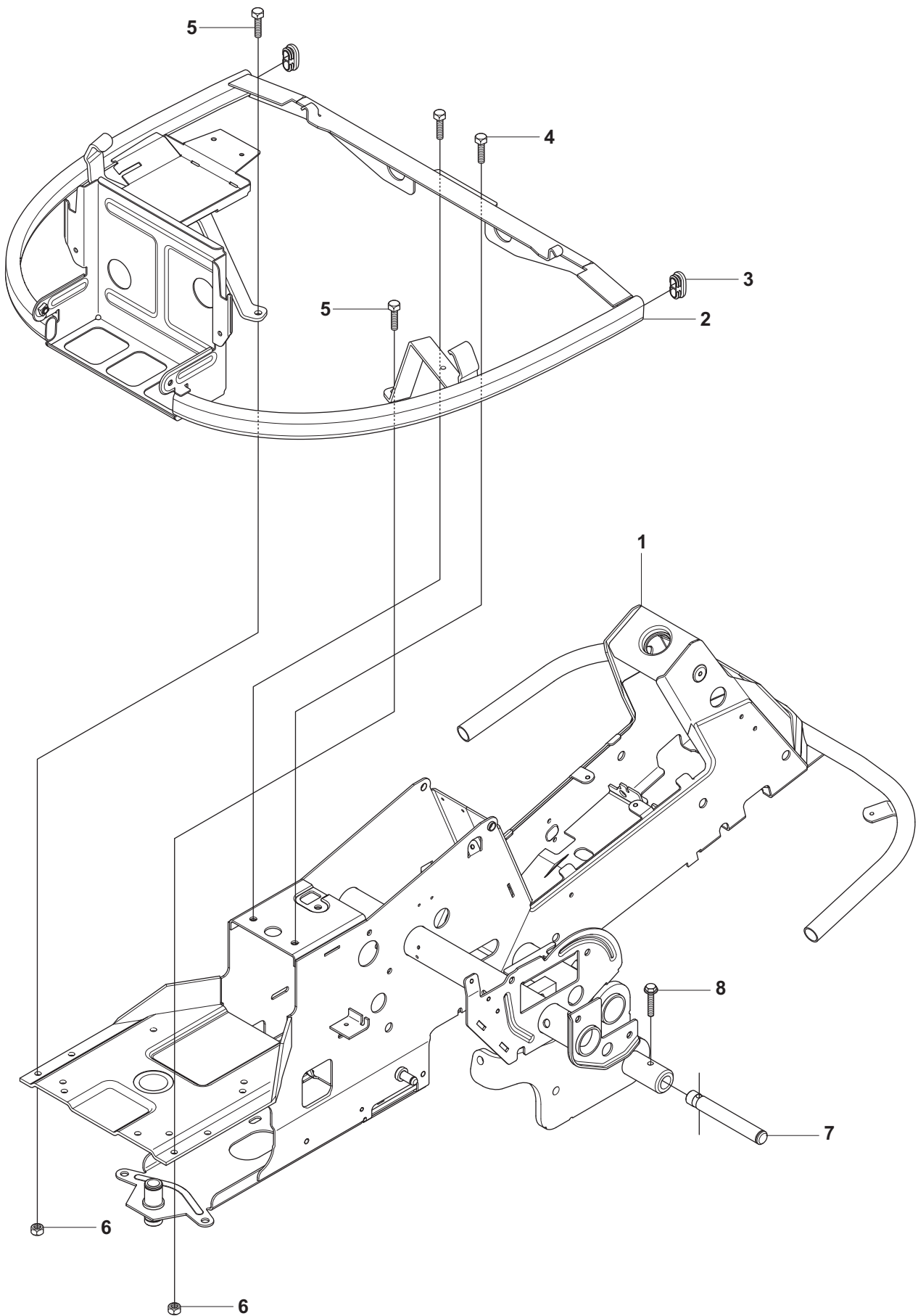
Pièces détachées

Reserve onderdelen

Repuestos

Reservdelar

F 965 09 45-01 RIDER R15V2
CHASSIS



F**965 09 45-01 RIDER R15V2
CHASSIS**

Pos.	Compl No.	Part No.	Description	Qty.	Notes
1		544 84 23-01		1	
2		544 24 42-01		1	
3		544 24 44-01		2	
4		506 57 01-03		2	
5		725 24 51-71		2	
6		732 21 18-01		2	
7		535 47 08-01		2	
8		725 24 59-61		2	