

Rider 15V2

Spare parts

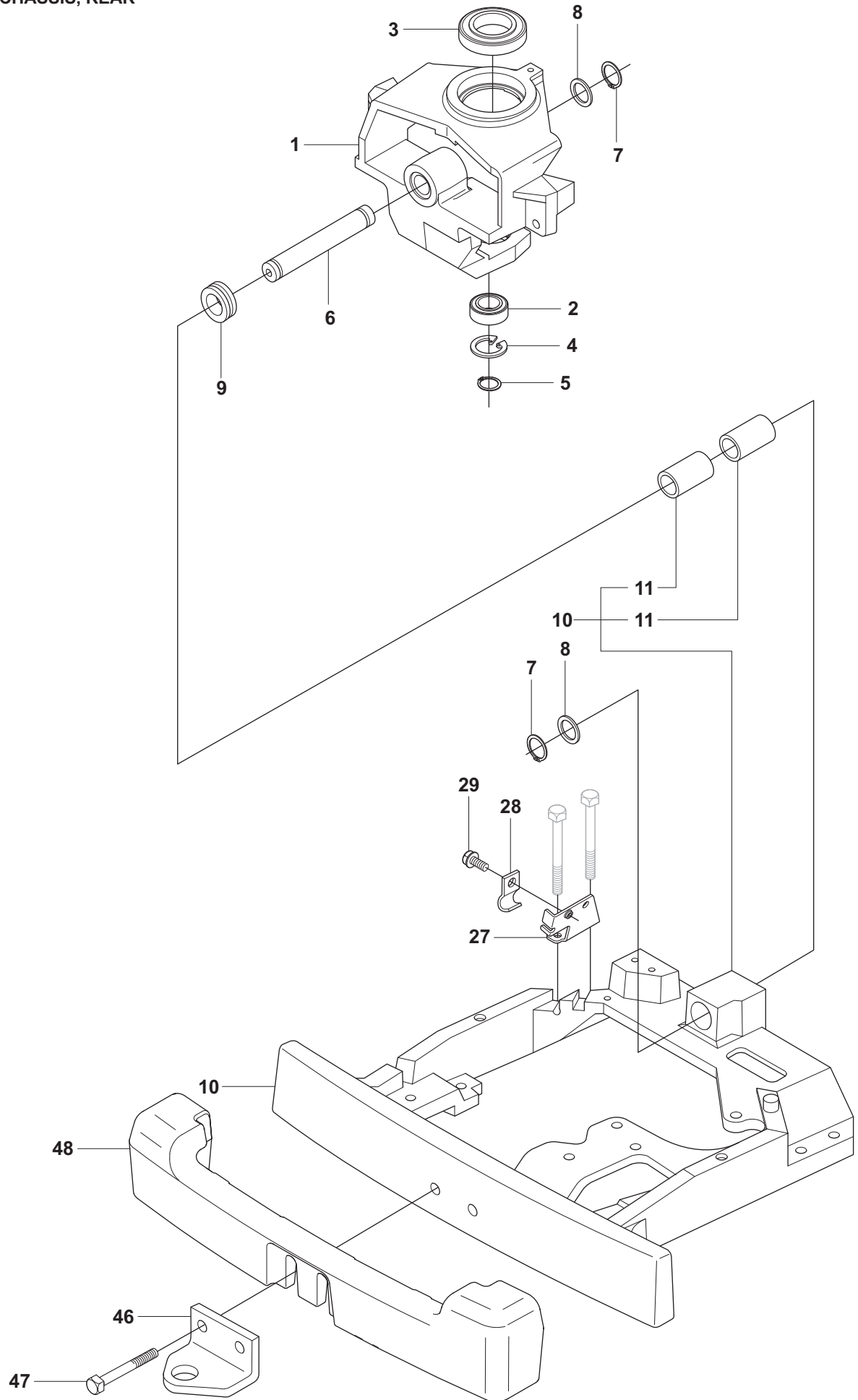
Ersatzteile

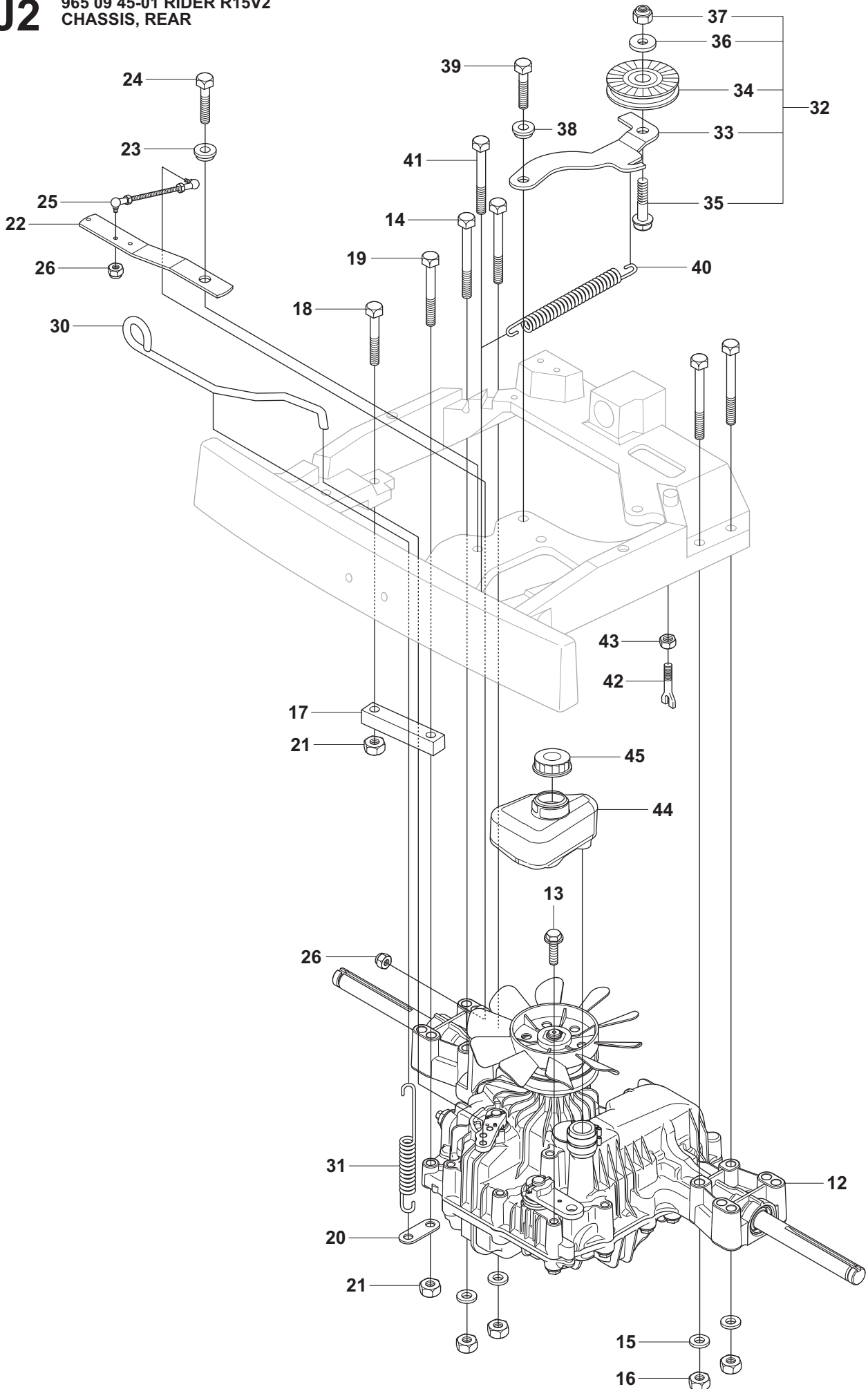
Pièces détachées

Reserve onderdelen

Repuestos

Reservdelar

J1965 09 45-01 RIDER R15V2
CHASSIS, REAR

J2965 09 45-01 RIDER R15V2
CHASSIS, REAR

J**965 09 45-01 RIDER R15V2
CHASSIS, REAR**

Pos.	Compl No.	Part No.	Description	Qty.	Notes
1		506 98 58-03		1	J1
2		738 21 05-04		1	J1
3		738 21 10-04		1	J1
4		735 31 40-10		1	J1
5		735 31 26-00		1	J1
6		506 98 59-01		1	J1
7		735 31 26-00		2	J1
8		506 77 34-01		2	J1
9		740 68 14-21		1	J1
10		535 40 60-01		1	J1
11	535 40 60-01	506 98 61-02		2	J1
12		506 98 63-01		1	J2
13		506 55 83-02		1	J2
14		725 24 67-51		4	J2
15		734 11 64-01		4	J2
16		731 23 18-01		4	J2
17		506 98 72-01		1	J2
18		725 24 59-51		1	J2
19		725 24 62-51		1	J2
20		506 59 93-01		1	J2
21		731 23 18-01		2	J2
22		506 98 74-03		1	J2
23		506 91 87-02		1	J2
24		725 24 51-51		1	J2
25		506 98 75-01		1	J2
26		732 21 14-01		2	J2
27		506 98 77-01		1	J1
28		506 56 65-01		1	J1
29		725 23 64-61		1	J1
30		506 98 82-01		1	J2
31		506 83 43-01		1	J2
32		506 98 84-01		1	J2
33	506 98 84-01	506 98 85-01		1	J2
34	506 98 84-01	506 94 69-01		1	J2
35	506 98 84-01	725 24 55-51		1	J2
36	506 98 84-01	734 11 64-41		1	J2
37	506 98 84-01	732 21 18-01		1	J2
38		506 91 87-02		1	J2
39		725 24 51-51		1	J2
40		506 98 86-01		1	J2
41		725 24 64-51		1	J2
42		506 98 88-01		1	J2
43		731 23 20-51		1	J2
44		506 98 90-01		1	J2
45		506 98 80-01		1	J2
46		506 88 99-01		1	J1
47		725 25 00-51		2	J1
48		544 03 96-02		1	J1