

Rider 15V2

Spare parts

Ersatzteile

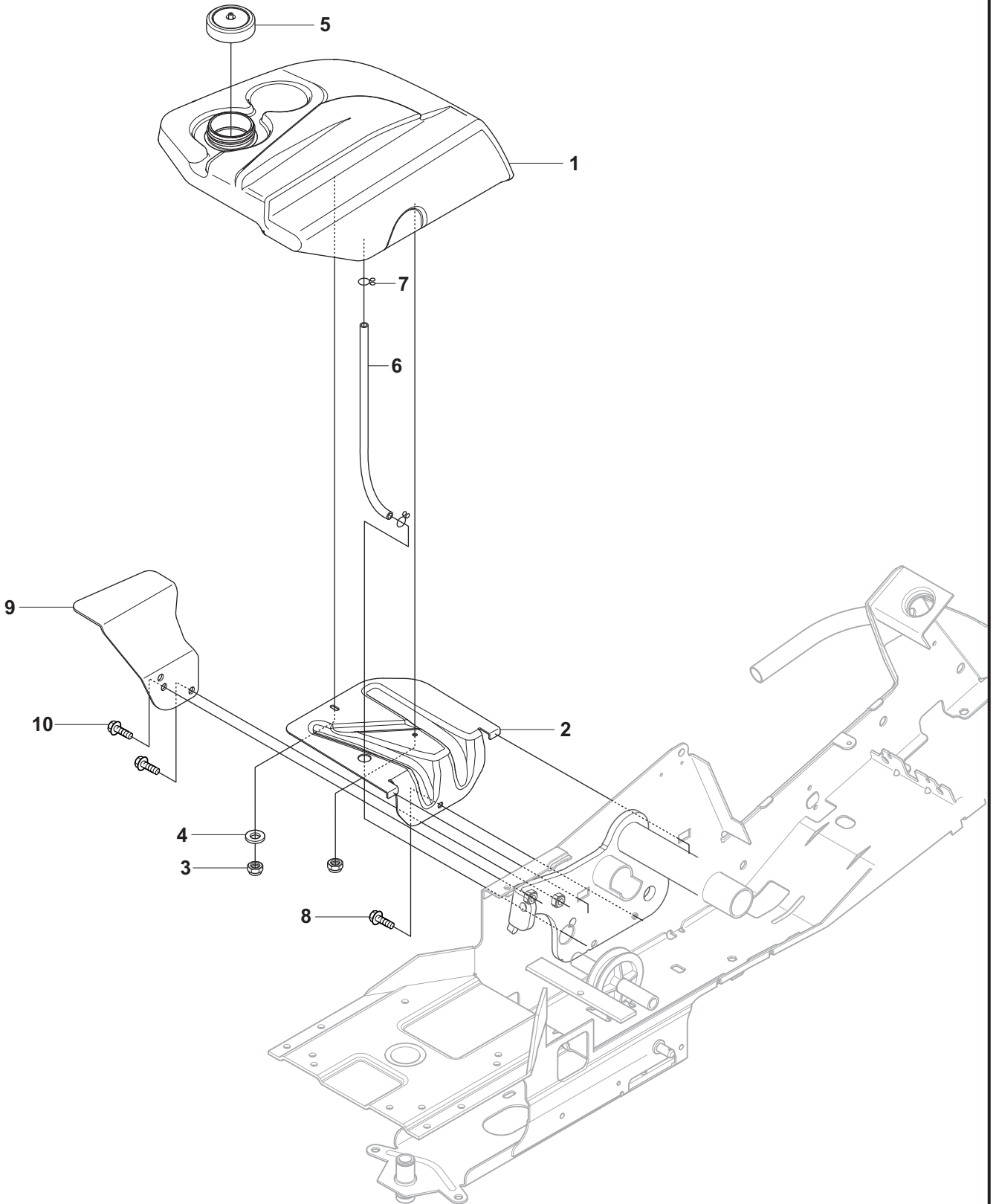
Pièces détachées

Reserve onderdelen

Repuestos

Reservdelar

B 965 09 45-01 RIDER R15V2
FUEL SYSTEM



B**965 09 45-01 RIDER R15V2
FUEL SYSTEM**

Pos.	Compl No.	Part No.	Description	Qty.	Notes
1		535 50 13-01		1	
2		544 32 93-01		1	
3		732 21 16-01		2	
4		734 11 56-01		1	
5		506 67 33-01		1	
6		506 94 67-03		1	
7		535 46 97-01		2	
8		725 23 64-61		1	
9		501 02 03-01		1	
10		725 24 93-71		2	