

For Husqvarna Parts Call 606-678-9623 or 606-561-4983



		16
--	--	----

# LE359

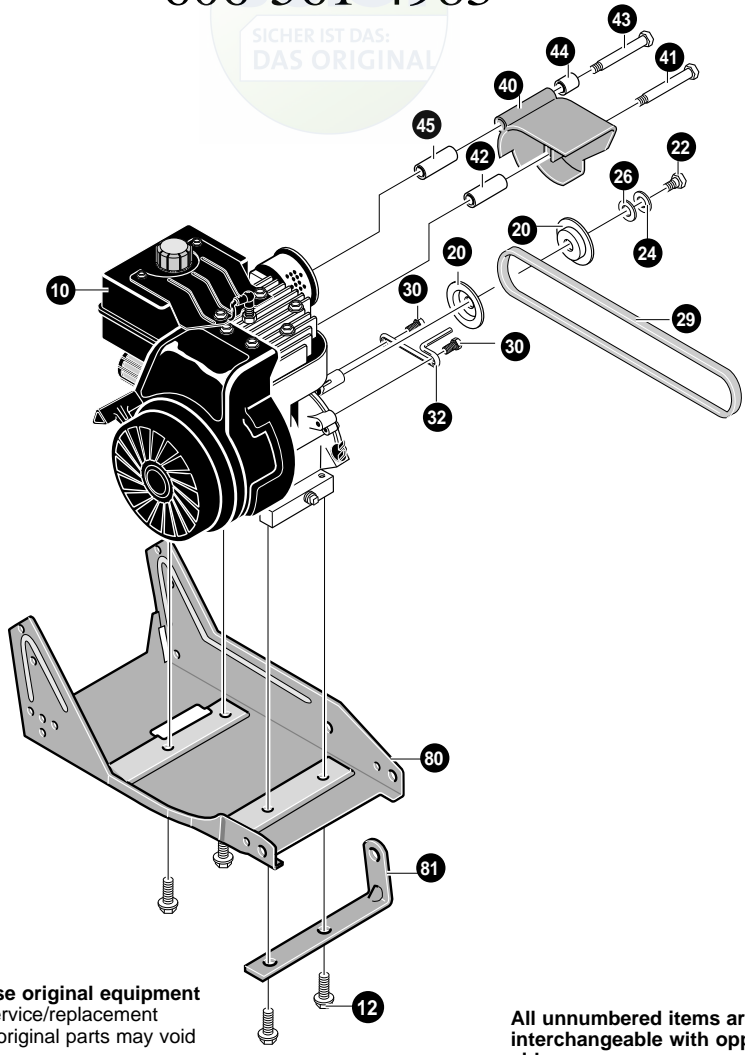


**1.1997**

**Spare Parts**

# For Husqvarna Parts Call 606-678-9623 or

## 606-561-4983



**Note: Always use original equipment parts.** Use of service/replacement parts other than original parts may void your warranty.

**All unnumbered items are interchangeable with opposite side**

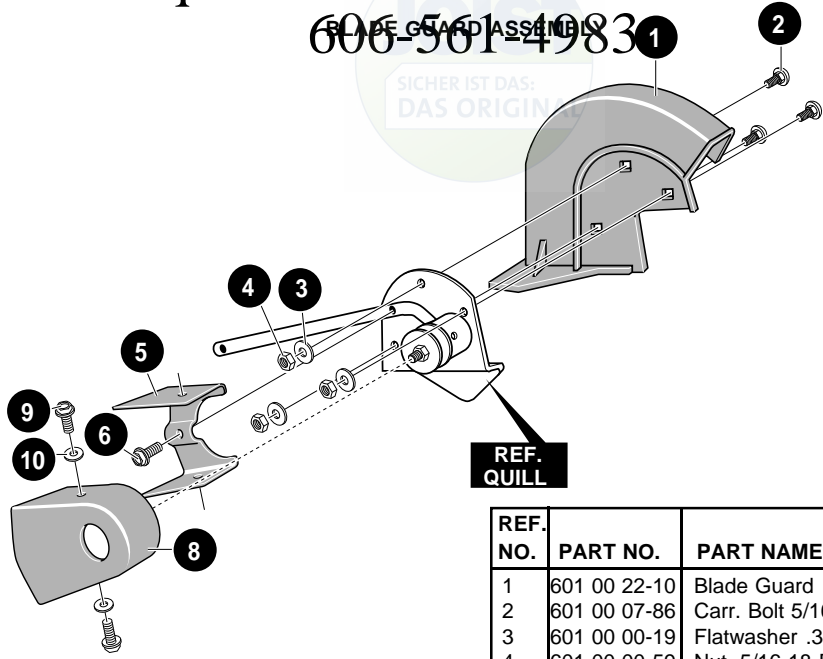
REF. NO.	PART NO.	PART NAME
10	ENGINE	3.5HP(See Engine Manual)
12	601 00 21-93	Screw, 3/8-16 x 1.00
20	601 00 22-03	Pulley, Half V3L
22	601 00 13-27	Screw, 5/16-24x 1.00
24	601 00 00-23	Washer, .328x.60x.09
26	601 00 05-47	Flatwasher .332x.87x.119
29	601 00 05-09	Belt, V 4L 32.60LG
30	601 00 19-65	Screw and Washer Assy
32	601 00 05-80	Belt Guide
40	601 00 22-04	Cover, Engine Pulley

REF. NO.	PART NO.	PART NAME
41	601 00 00-80	Screw, 5/16-24x3.00
42	601 00 22-05	Spacer, Sleeve .335x.431x2.50
43	601 00 22-06	Screw, 5/16-24x3.75
44	601 00 22-07	Spacer, .322ID .562 OD
45	601 00 22-05	Spacer, Sleeve .335x.431x2.50
80	601 00 22-08	Frame, Assy Edger
81	601 00 22-09	Strap
	601 00 21-94	Owner's Manual

[www.mymowerparts.com](http://www.mymowerparts.com)

BLADE GUARD ASSEMBLY

SICHER IST DAS: DAS ORIGINAL

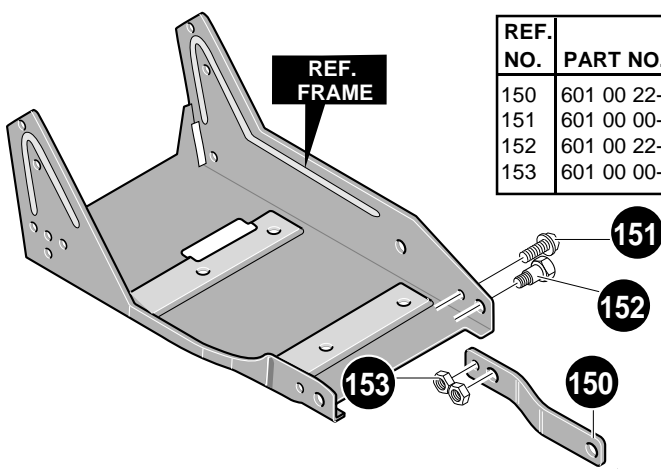


REF. QUILL

REF. NO.	PART NO.	PART NAME
1	601 00 22-10	Blade Guard
2	601 00 07-86	Carr. Bolt 5/16-18x.63
3	601 00 00-19	Flatwasher .344x.69x.065
4	601 00 00-59	Nut, 5/16-18 Reghexctrlk
5	601 00 22-11	Guide, Belt Front
6	601 00 21-95	Screw, 1/4-20x.50 Tap
8	601 00 19-78	Cover, Quill Pulley
9	601 00 22-12	Screw, 10-24x.50 Tap
10	601 00 22-13	Flatwasher .203x.56x.040

332247 D

FRONT WHEEL BRACKET ASSEMBLY



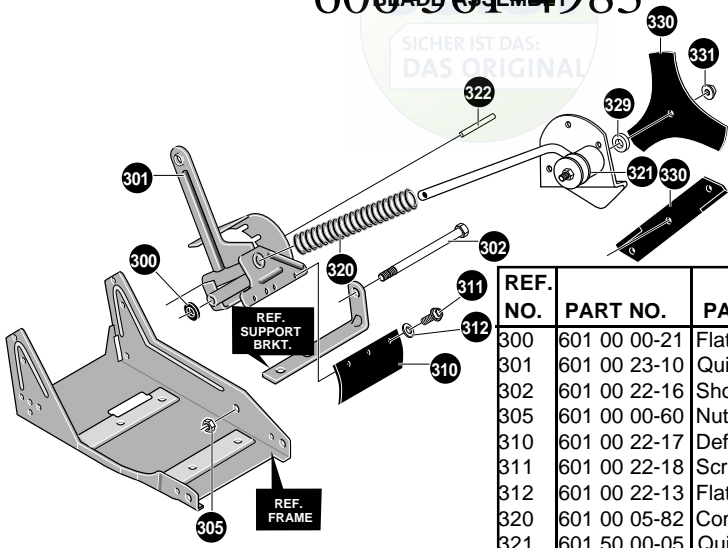
REF. NO.	PART NO.	PART NAME
150	601 00 22-14	Arm, Front Wheel
151	601 00 00-73	Screw, 5/16-18x.75
152	601 00 22-15	Sh. Bolt, 5/16-18
153	601 00 00-59	Nut, 5/16-18 Rghexctrlk

332164 B

EDGER PARTS LE359

BLADE ASSEMBLY

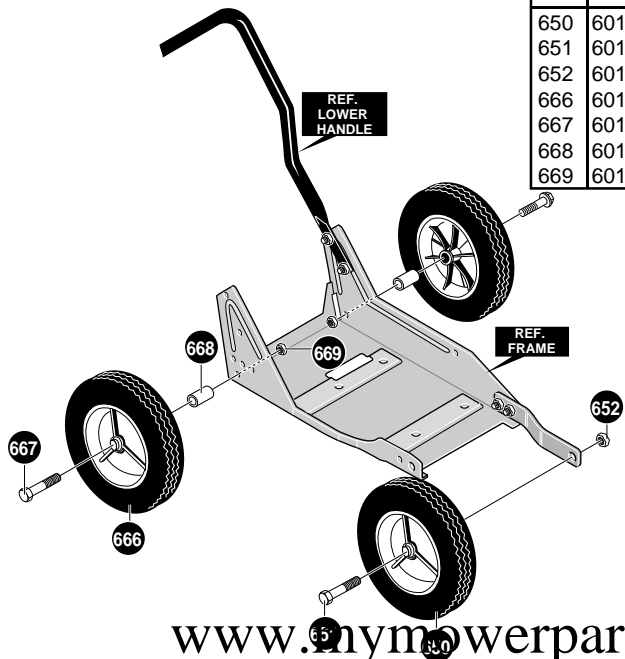
SICHER IST DAS:  
DAS ORIGINAL



323165D

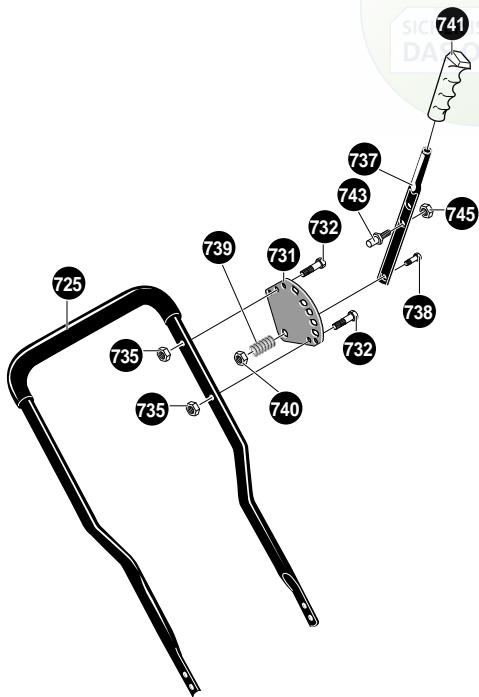
REF. NO.	PART NO.	PART NAME
300	601 00 00-21	Flatwasher, .531x1.06x.095
301	601 00 23-10	Quill Suppt. Assy.
302	601 00 22-16	Shoulder Bolt 3/8-16
305	601 00 00-60	Nut, 3/8-16 Reghexctrlik
310	601 00 22-17	Deflector, Rubber
311	601 00 22-18	Screw, 10-16x.50 Tap
312	601 00 22-13	Flatwasher, .203x.56x.040
320	601 00 05-82	Compression Spring
321	601 50 00-05	Quill Assembly, Lrg Suppt.
322	601 00 22-19	Spring Pin
329	601 00 00-94	Flatwasher, .515x1.38x.119
330	601 00 19-74	Blade Edger
331	601 00 05-52	Nut, 1/20 Wdfl

TIRE ASSEMBLY



REF. NO.	PART NO.	PART NAME
650	601 00 22-20	Tire & Rim 7x1.50
651	601 00 00-95	Sh. Bolt 3/8-16
652	601 00 13-35	Nut, 3/8-16 Hxctrlkjam
666	601 00 22-20	Tire & Rim 7x1.50
667	601 00 00-95	Sh. Bolt 3/8-16
668	601 00 22-21	Spacer, Slev
669	601 00 13-35	Nut, 3/8-16 Hxctrlkjam

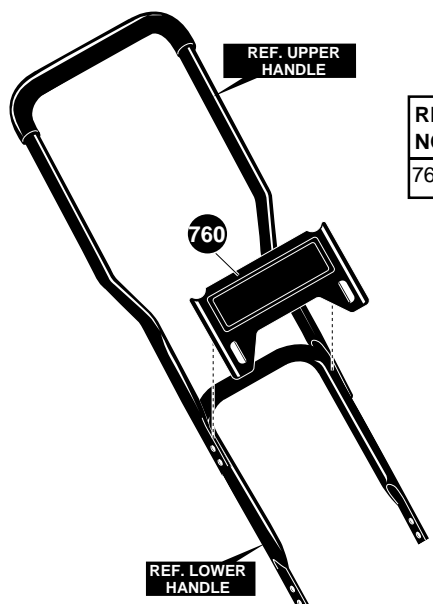
330223B



REF. NO.	PART NO.	PART NAME
725	601 00 21-98	Upper Handle & Foam
731	601 00 22-22	Plate Selector
732	601 00 00-69	Screw, 1/4-20x1.25
735	601 00 00-62	Nut, 1/4-20 Reghexctrk
737	601 00 22-23	Handle, Depth Adjust
738	601 00 19-84	Screw, 5/16-18x1.25
739	601 00 01-01	Spring
740	601 00 00-59	Nut, 5/16-18 Reghexctrk
741	601 00 22-24	Grip, Hand
743	601 00 22-25	Stud
745	601 00 00-60	Nut, 3/8-16 Reghexctrk

323136E

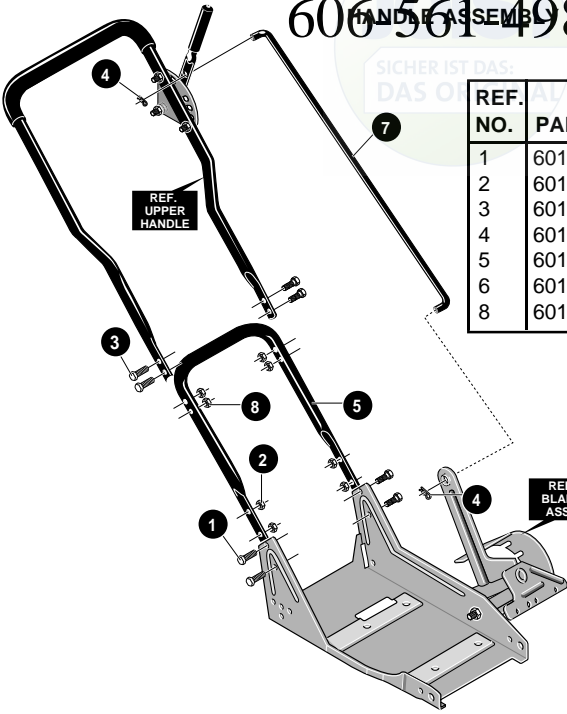
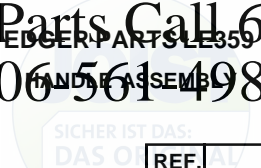
**HANDLE PANEL ASSEMBLY**



REF. NO.	PART NO.	PART NAME
760	601 00 22-26	Handle Panel Assembly

332228B

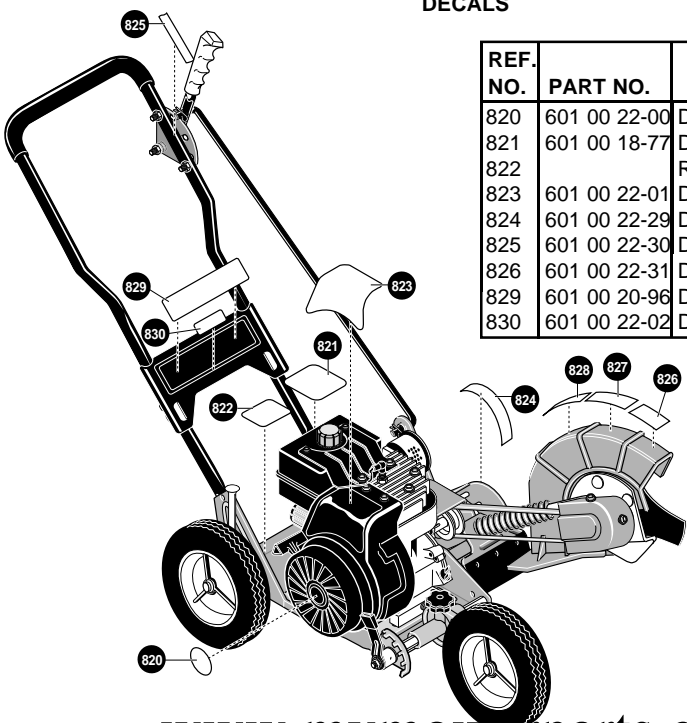
606-561-1983



REF. NO.	PART NO.	PART NAME
1	601 00 22-27	Screw, 5/16-18x.63
2	601 00 00-59	Nut, 5/16-18 Reghexctrlk
3	601 00 12-94	Carr. Bolt, 5/16-18x1.63
4	601 00 05-23	Hair Pin .072Diax1.13Lg
5	601 00 22-28	Lower Handle
6	601 00 21-99	Control Rod
8	601 00 00-59	Nut, 5/16-18 Reghexctrlk

332237C

DECALS



REF. NO.	PART NO.	PART NAME
820	601 00 22-00	Decal, Recoil Cover
821	601 00 18-77	Decal, Information Danger
822		Reference Only
823	601 00 22-01	Decal, Engine
824	601 00 22-29	Decal, Angle Indicator
825	601 00 22-30	Decal, Quadrant Selector
826	601 00 22-31	Decal, Blade Guard
829	601 00 20-96	Decal, Panel
830	601 00 22-02	Decal, Husq. LE359

332240D