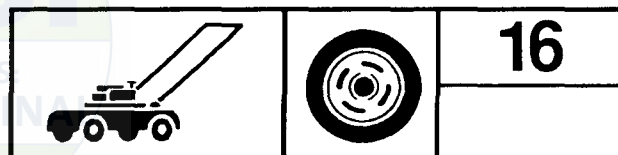


For Husqvarna Parts Call 606-678-9623 or 606-561-4983



LE309



1.1996

Spare Parts

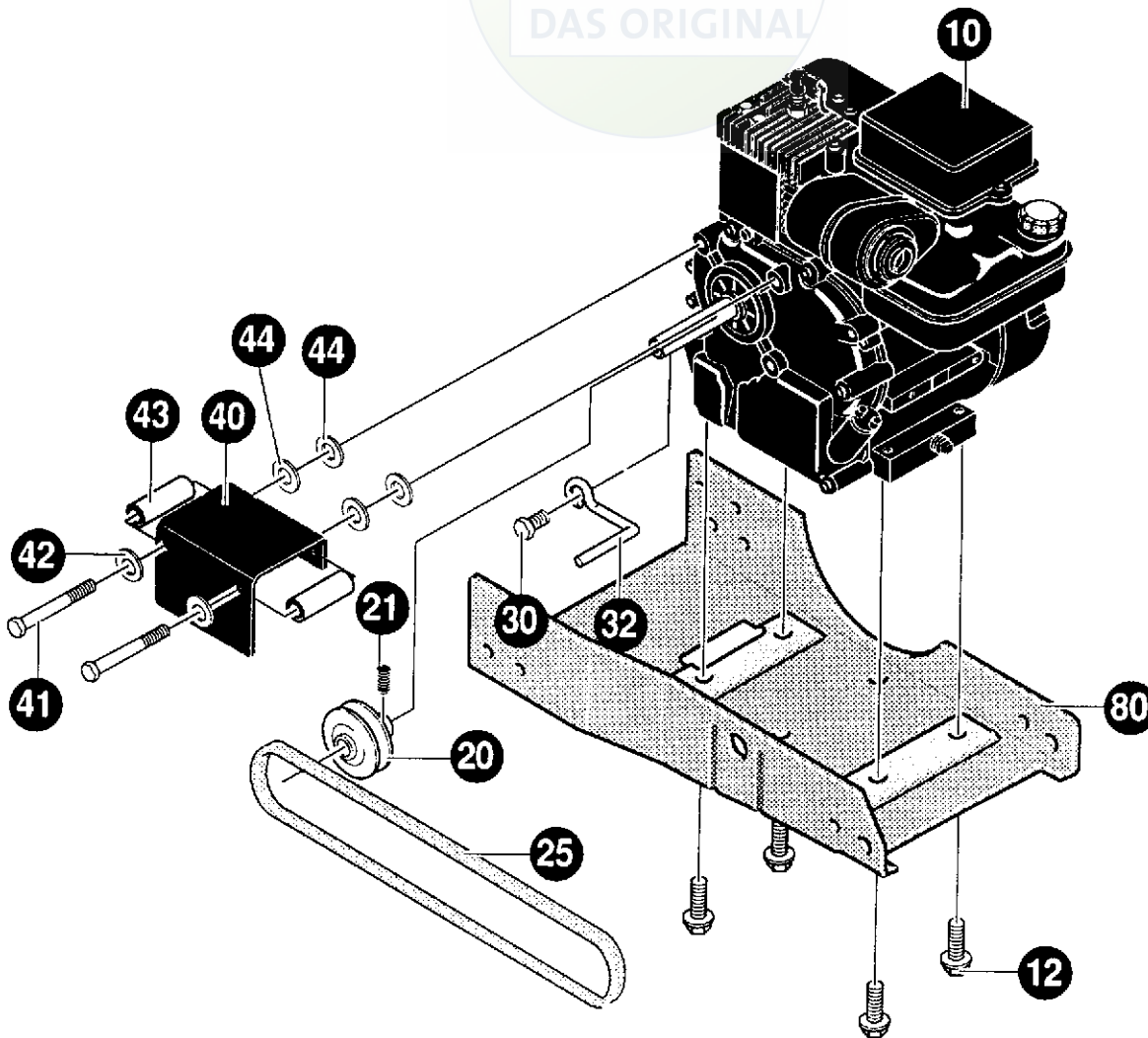
Pièces Détachées

Owner's Manual 601 00 18 57
Reference No. 337412 05/09/95

MODEL LE309 REPAIR PARTS

ENGINE ASSEMBLY

SICHER IST DAS:
DAS ORIGINAL



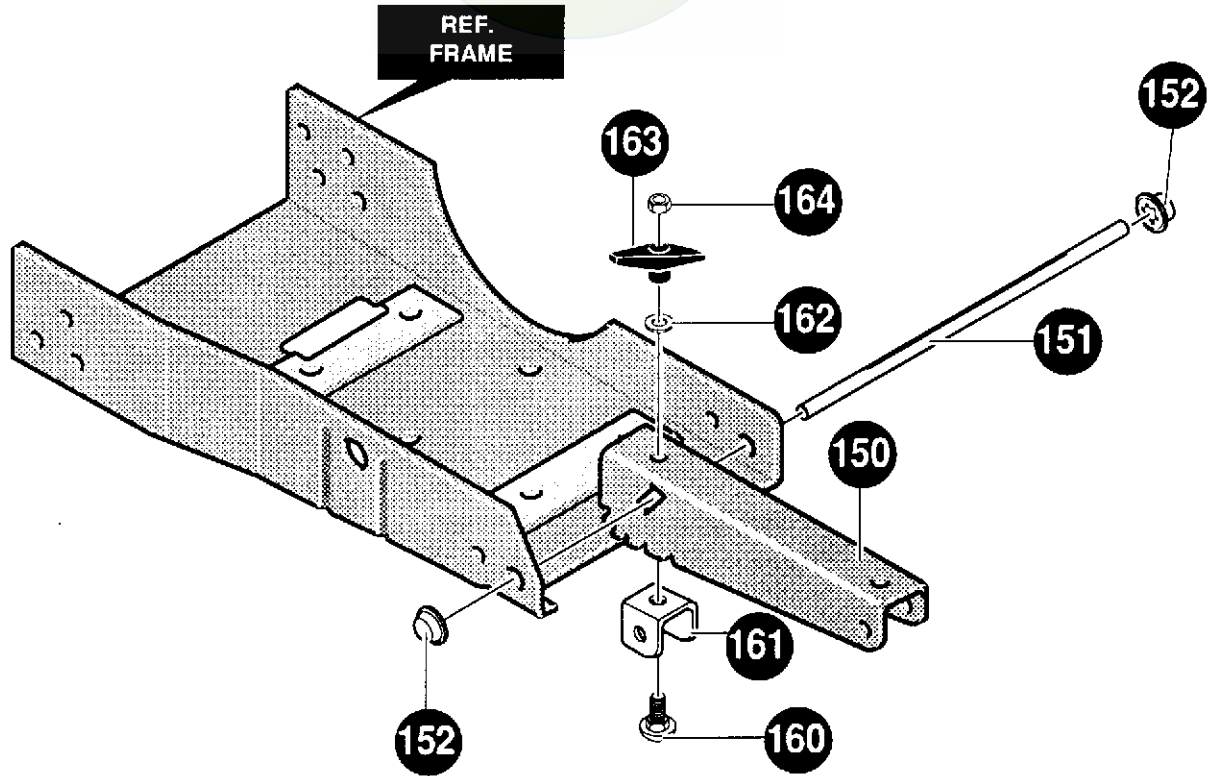
REF NO.	PART NO.	DESCRIPTION
10		ENGINE, (See Engine Manual)
12	601 00 05 59	SCREW, 3/8-16X1.00
20	601 00 05 10	PULLEY, ENGINE
21	601 00 00 02	SCREW, 5/16-18X.25 ALHSETCPPL
25	601 00 05 09	BELT, V 4L 32.60LG
30	601 00 00 78	SCREW AND WASHER ASSEMBLY
32	601 00 05 80	GUIDE, BELT
40	601 00 03 66	COVER, ENGINE PULLEY
41	601 00 00 80	SCREW, 5/16-24X3.00 IN.
42	601 00 00 19	FLATWASHER, .344X.69X.065
43	601 00 05 90	SPACER, SLEV .335X.43X2.37
44	601 00 00 19	WASHER, FLAT .344X.69X.065
80	601 00 03 64	FRAME, EDGER
	601 00 18 57	MANUAL, OWNER'S (NOT SHOWN)

324722E

MODEL LE309 REPAIR PARTS

WHEEL BRACKET CHANNEL ASSEMBLY

SICHER IST DAS:
DAS ORIGINAL



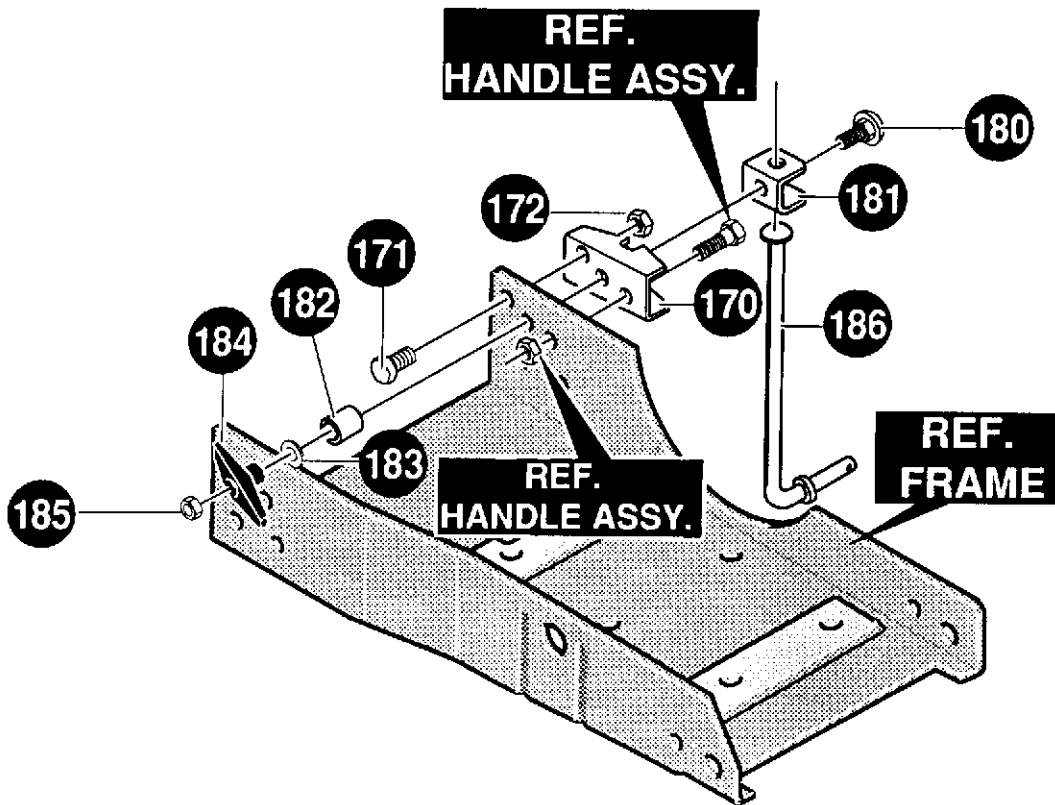
REF. NO.	PART NO.	DESCRIPTION
150	601 00 03 68	CHANNEL, FRONT WHEEL
151	601 00 05 77	ROD, FRT MOUNT CURB HOPPER
152	601 00 05 84	PUSHNUT, WASHER
160	601 00 00 07	BOLT, 5/16-18X1.25
161	601 00 06 55	CLEVIS
162	601 00 00 19	WASHER, FLAT .344X.69X.065
163	601 00 06 84	KNOB, T W/516/18 NUT
164	601 00 00 12	NUT, 5/16-18 REG HEX

332094B

MODEL LE309 REPAIR PARTS

CURB HOPPER ASSEMBLY

SICHER IST DAS:
DAS ORIGINAL

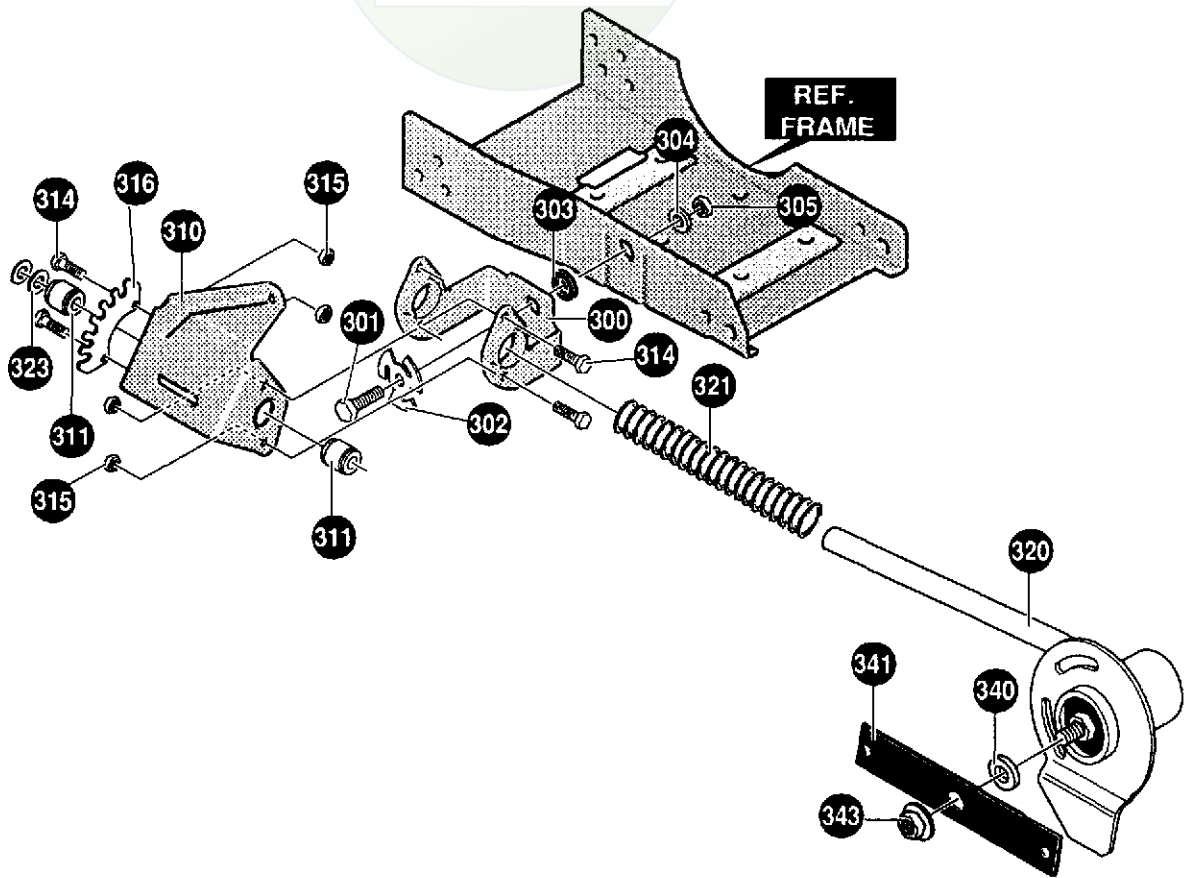


REF. NO.	PART NO.	DESCRIPTION
170	601 00 06 49	BRKT, CURB HOP MNT
171	601 00 00 28	SCREW, 5/16-18X .75
172	601 00 00 59	NUT, 5/16-18 REGHEXCTRLK
180	601 00 00 07	BOLT, 5/16-18X2.00
181	601 00 06 55	CLEVIS
182	601 00 05 86	SPACER, SLEV .356X .63X1.01
183	601 00 00 19	WASHER, FLAT .344X.69X.065
184	601 00 06 84	KNOB, T W/516/18 NUT
185	601 00 00 12	NUT, 5/16-18 REGHEX
186	601 00 05 76	ROD, WHEEL SUPPORT

323416C

MODEL LE309 REPAIR PARTS

BLADE COMPONENT ASSEMBLY

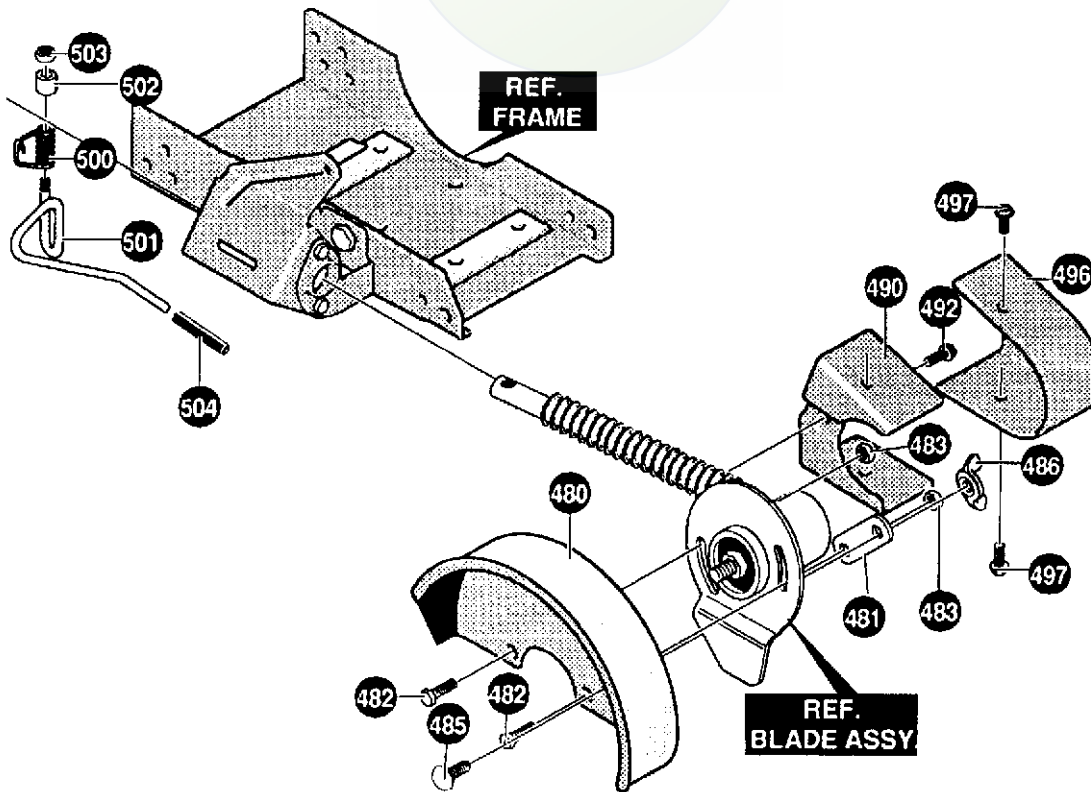


REF. NO.	PART NO.	DESCRIPTION
300	601 00 17 20	SUPPORT ARM-INNER
301	601 00 05 81	BOLT, 3/8-16 SHOULDER
302	601 00 00 90	WASHER, SPRING
303	601 00 05 45	SPACER, QUICK WHL
304	601 00 06 56	FLATWASHER, .390X1.25X.119
305	601 00 00 60	NUT, 3/8-16 REGHXCTRL
310	601 00 17 16	SUPPORT ARM-OUTER
311	601 00 05 85	BRNG, SFAL . IDX . ODX .
314	601 00 00 24	SCREW, 1/4-20X .75 HHC
315	601 00 00 62	NUT, 1/4-20 REGHEXCTRLK
316	601 00 06 49	PLATE, INDEX
320	601 00 06 90	QUILL, ASSY
321	601 00 05 82	SPRING
323	601 00 17 15	FLATWASHER, .640X1.25X.06
340	601 00 00 94	FLATWASHER .515X1.38X.119PL
341	601 00 07 49	BLADE, EDGER 2PT
343	601 00 05 52	NUT, 1/2-20 WDFL

323413E

MODEL LE309 REPAIR PARTS

GUARD ASSEMBLY

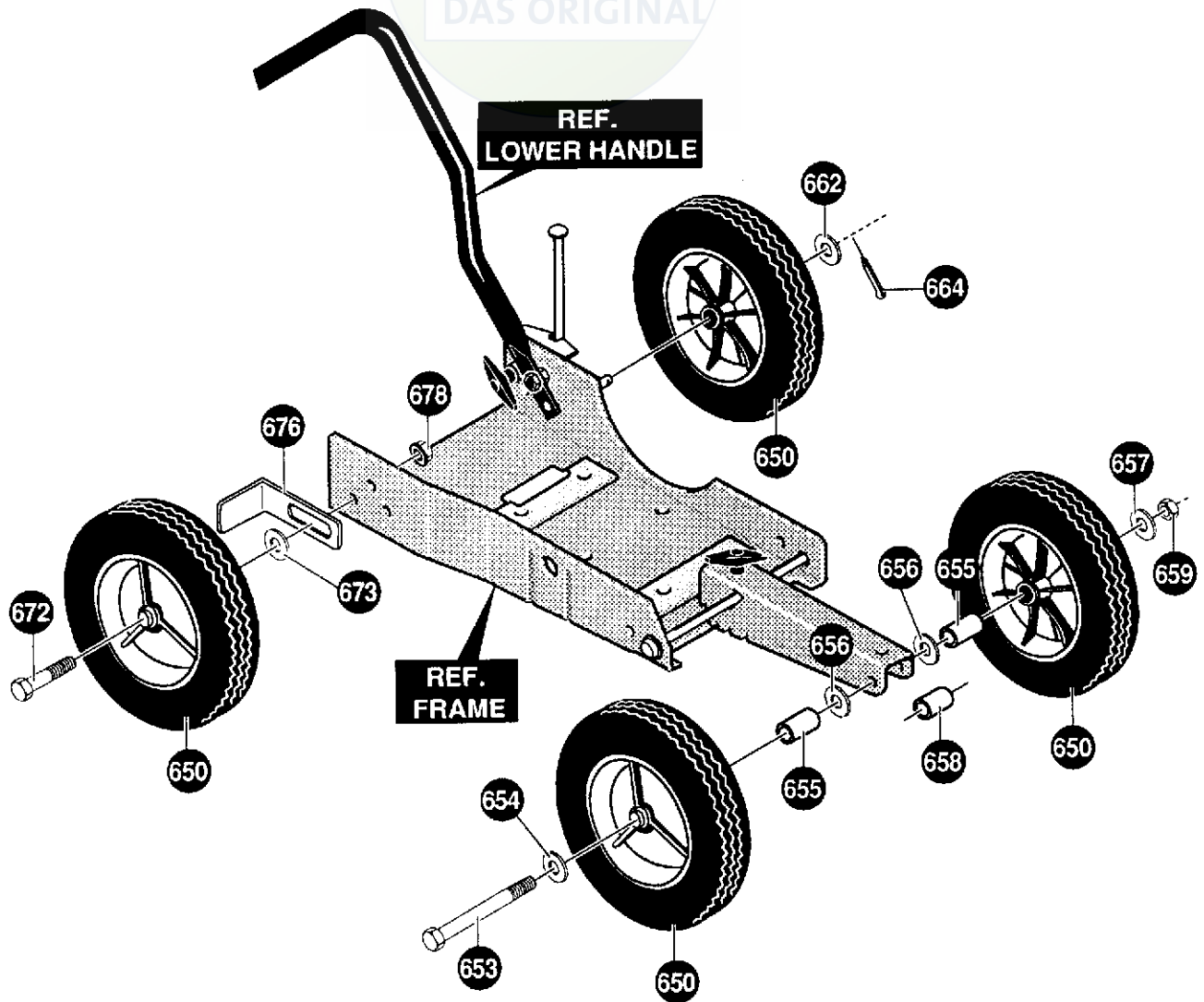


REF. NO.	PART NO.	DESCRIPTION
480	601 00 07 48	GUARD, BLADE
481	601 00 06 48	BAR, LOCKING
482	601 00 00 72	SCREW, 5/16-18X .75 IN.
483	601 00 00 59	NUT, 5/16-18 REGHEXCTRLK
485	601 00 05 46	BOLT, 5/16-18X .75 CARR
486	601 00 06 72	WING NUT
490	601 00 12 19	GUIDE, BELT FRONT
492	601 00 06 68	SCREW, 1/4-20X .50
496	601 00 03 65	COVER, QUILL PULLEY
497	601 00 07 38	SCREW, 10-24X.38
500	601 00 05 83	SPRING, INDEX
501	601 00 05 94	LEVER, INDEX
502	601 00 05 86	SPACER, SLEV .33 X .50X .25
503	601 00 00 59	NUT, 5/16-18 REGHEXCTRLK
504	601 00 05 79	GRIP, INDEX LEVER

323288C

MODEL LE309 REPAIR PARTS

TIRES W/SCRAPER ASSEMBLY

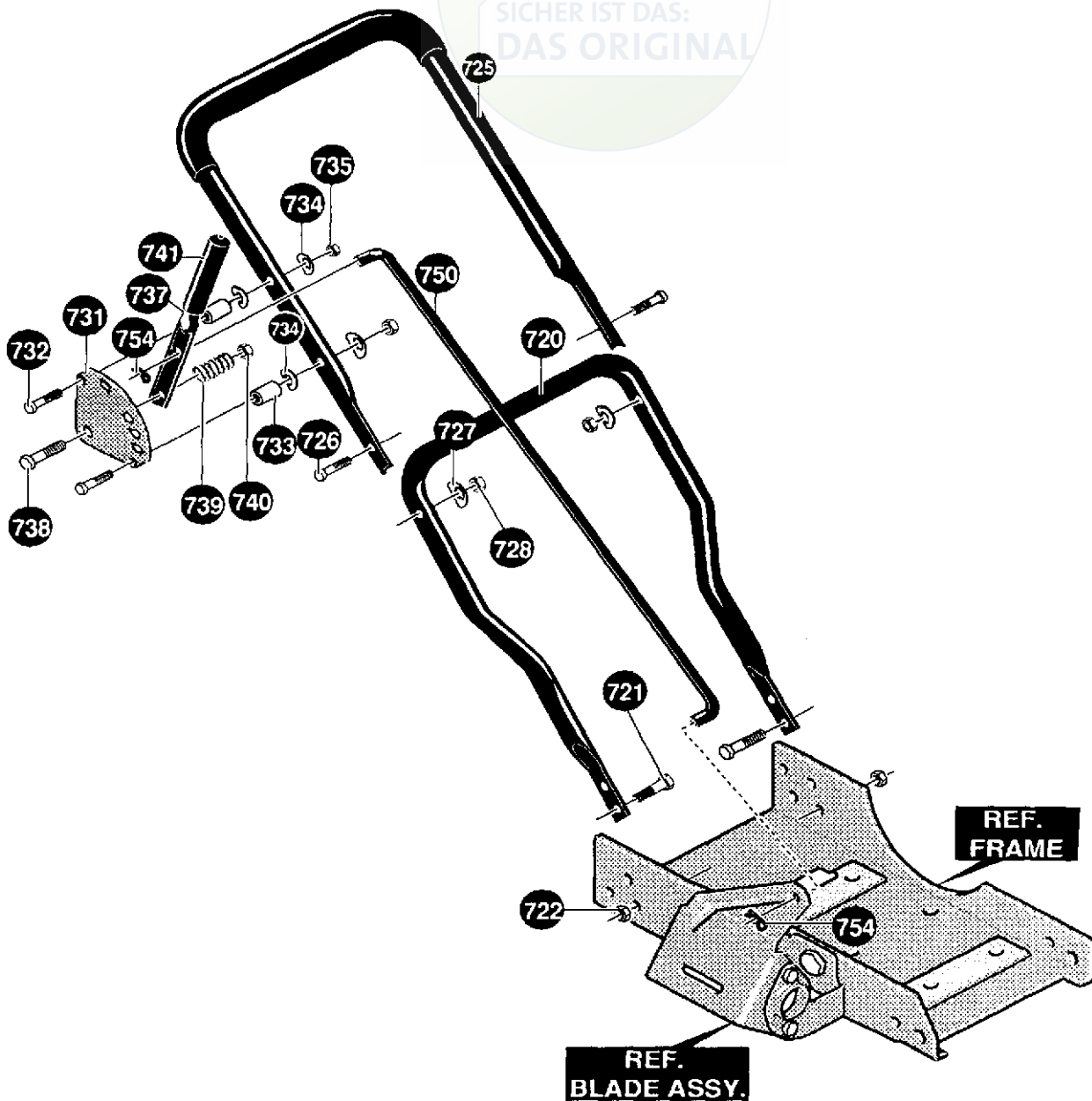


REF. NO.	PART NO.	DESCRIPTION
650	601 00 13 19	TIRE & RIM, SEPU 8X1.75
653	601 00 00 86	SCREW, 5/16-18X4.50 HHC
654	601 00 00 19	WASHER, FLAT .344X .69X.065
655	601 00 05 87	SPACER, SLEV .328X .495X1.39
657	601 00 00 19	FLATWASHER .344X .69X.065
658	601 00 05 88	SPACER, SLEV .328X .495X1.05
659	601 00 00 59	NUT, 5/16-18 HEXWDFLLK
662	601 00 01 09	WASHER, FLAT .504X .75X.059
664	601 00 00 25	PIN, COTTER .090 DIA X .75LG
672	601 00 00 95	BOLT, .500X1.390 HSSH 3/8-16
676	601 00 15 87	SCRAPER BAR
678	601 00 05 42	NUT, 3/8-16 HWDFL WHIZ-LOCK

328446E

MODEL LE309 REPAIR PARTS

HANDLE ASSEMBLY



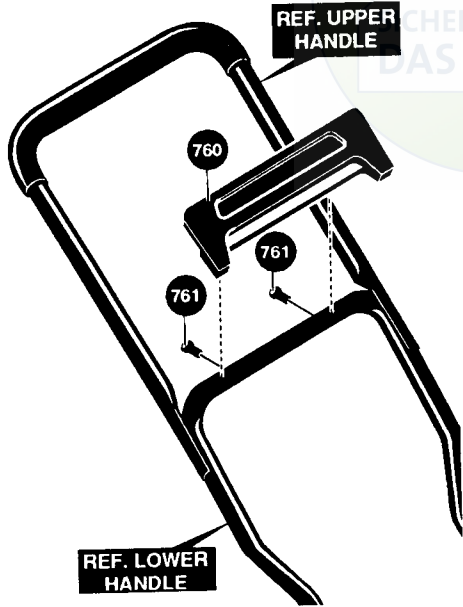
REF. NO.	PART NO.	DESCRIPTION
720	601 00 04 98	HANDLE, LOWER 7/8
721	601 00 00 72	SCREW, 5/16-18X1.00 HHC
722	601 00 00 59	NUT, 5/16-18 REGHEXCTRLK
725	601 00 04 97	HDLE, UPPER W/FOAM
726	601 00 13 12	SCREW, 5/16-18X1.75 HHC
727	601 00 06 64	WASHER, .343IDX1.0X.062 FORM
728	601 00 00 59	NUT, 5/16-18 REGHEXCTRLK
731	601 00 07 46	PLATE, QUADRANT SHIFT/ENGAG
732	601 00 12 67	SCREW, 1/4-20X2.00 HHC
733	601 00 06 08	SPACER, SLEV .281X 50X .68

REF. NO.	PART NO.	DESCRIPTION
734	601 00 06 64	WASHER, .343IDX1.0X.062 FORM
735	601 00 00 62	NUT, 1/4-20 REGHEXCTRLK
737	601 00 07 05	HANDLE, DEPTH ADJUST
738	601 00 00 30	SCREW, 5/16-18X1.25 HHC
739	601 00 01 01	SPRING
740	601 00 00 59	NUT, 5/16-18 REGHEXCTRLK
741	601 00 00 87	GRIP, HAND .75X4.87
750	601 00 06 21	ROD, DEPTH CONTROL 30.0 LG
754	601 00 05 23	PIN, HAIR .072 DIA X1.13LG

326652B

MODEL LE309 REPAIR PARTS

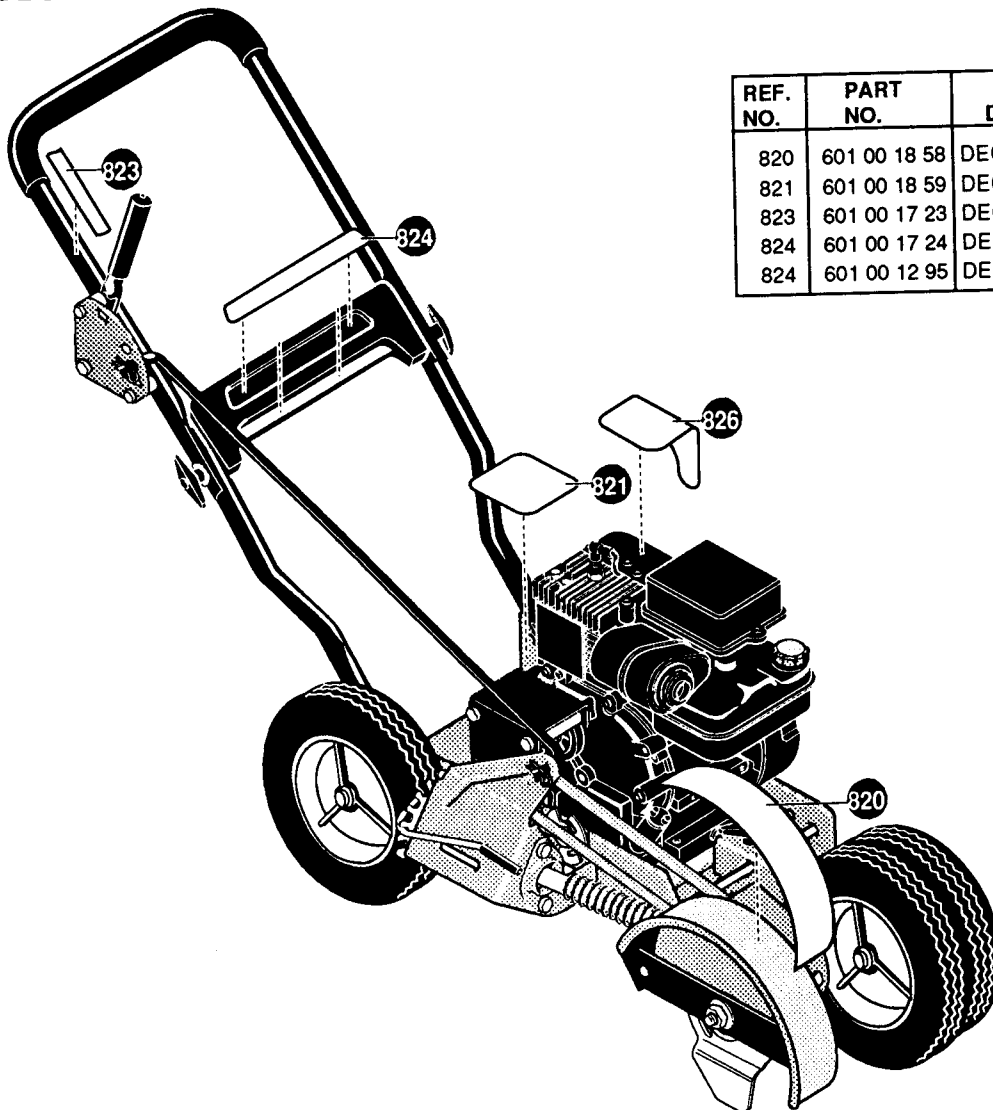
HANDLE SHROUD ASSEMBLY



REF. NO.	PART NO.	DESCRIPTION
760	601 00 04 74	SHROUD, HANDLE PLAS
761	601 00 05 37	SCREW, 10-16X .75 SLHTAP

328475C

DECALS



REF. NO.	PART NO.	DESCRIPTION
820	601 00 18 58	DECAL, BLADE GUARD
821	601 00 18 59	DECAL, INFORMATION !DANGER!
822	601 00 17 23	DECAL, CLUTCH
824	601 00 17 24	DECAL, HUSQVARNA LE309
824	601 00 12 95	DECAL, "HUSQVARNA"

323414E