

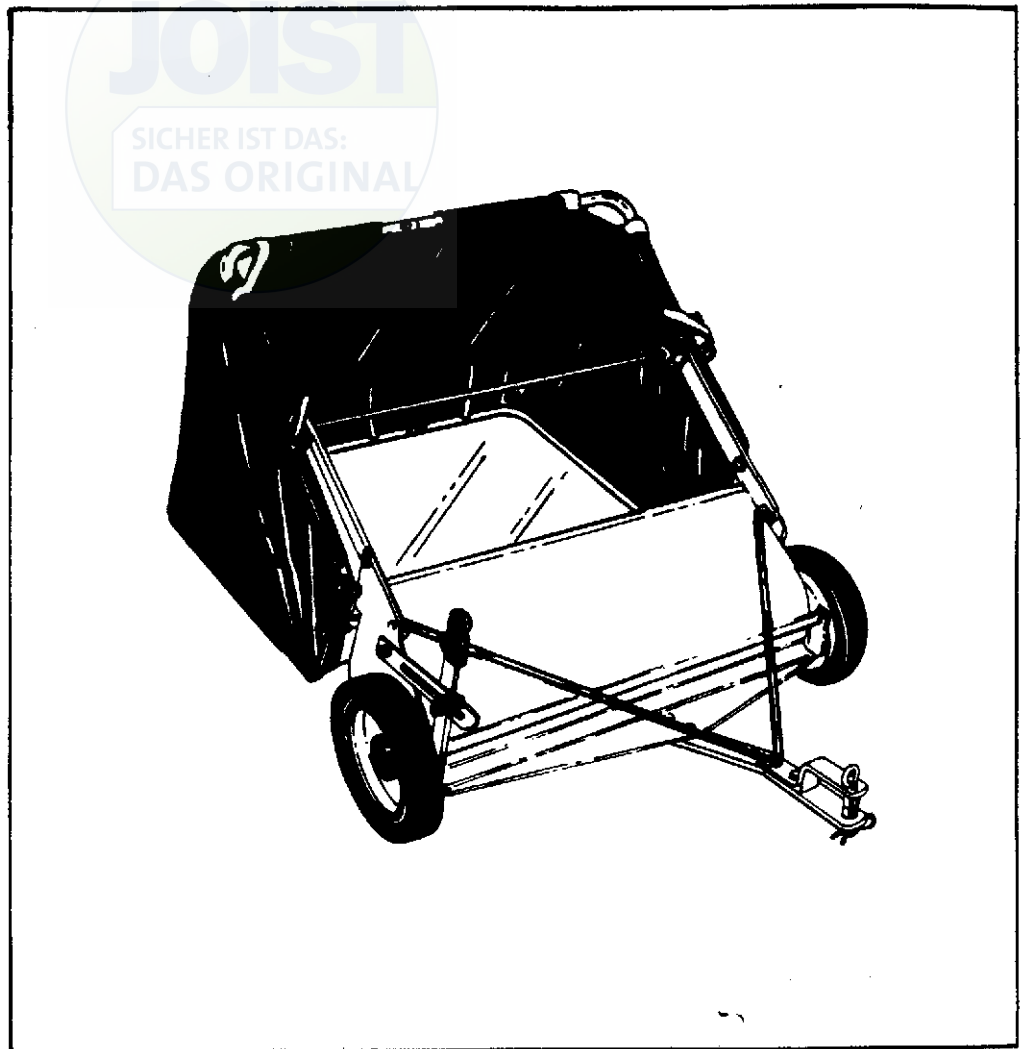
**Illustrated
Parts List**

Model No.

45-0209

190-527-000

HS 320

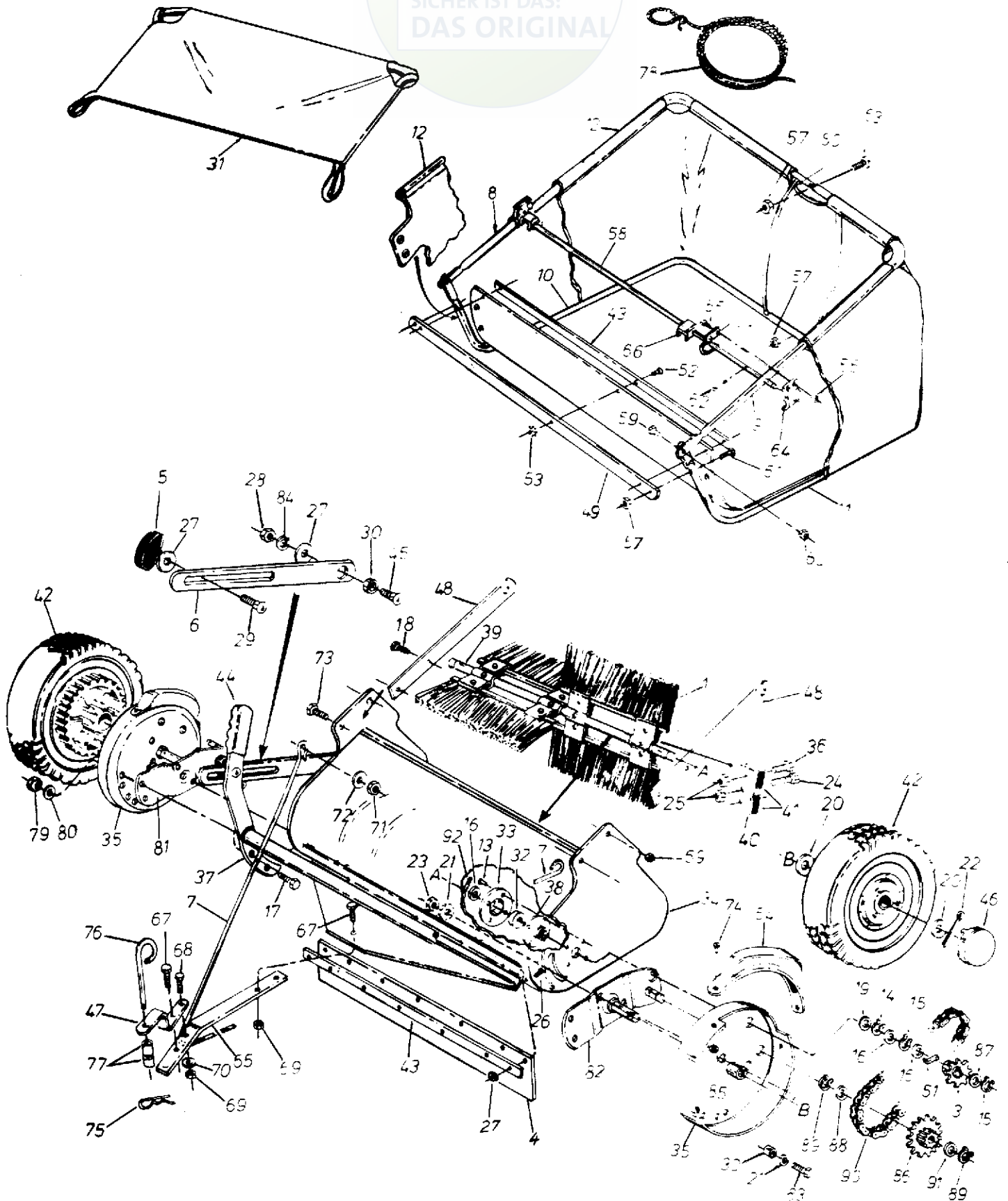


**32" HIGH PERFORMANCE
LAWN SWEEPER**

For Husqvarna Parts Call 606-678-9623 or 606-561-4983

REPAIR PARTS FOR MODEL 45-0209 32" LAWN SWEEPER

SICHER IST DAS:
DAS ORIGINAL



REPAIR PARTS FOR MODEL 45-0209 32" LAWSWEEPER

REF. NO.	PART NO.	QTY.	DESCRIPTION	REF. NO.	PART NO.	QTY.	DESCRIPTION
1	43903	4	Brush	46	2674-32	2	Hub Cap
2	43890	1	Sprocket-Ratchet R.H. (Not Shown)	47	23014	1	Hitch Bracket
3	43889	1	Sprocket-Ratcher L.H.	48	23595	2	Bag Mount Arm
4	43645	1	Skirt	49	23351	1	Bag Frame Strap
5	43720	1	Height Adjustment Knob	50	43938	2	Wire Support
6	23387	1	Height Adjustment Strap	51	1671-1	2	Pawl (H.T.)
7	43979	1	Brace Rod	52	43346	4	Truss Hd. Slotted Scr. #10-32 x 5/8" Lg.
8	44309	1	Upper Hopper Tube-R.H.	53	43662	8	Hex Lock Nut #10-32 Thd.
9	44310	1	Upper Hopper Tube-L.H.	54	44322	2	Chain Shield
10	43930	1	Lower Hopper Tube-R.H.	55	43064	4	Hex Lock Nut 5/16-18 Thd.
11	43929	1	Lower Hopper Tube-L.H.	56	43182	4	Hex Bolt 5/16-18 x 3/4" Lg.*
12	44372	1	Hopper Bag	57	43013	4	Hex Lock Nut 1/4-20 Thd.
13	C-9M5732	8	Rivet	58	23724	1	Hopper Bag Pivot Rod
14	43655	2	Retaining Ring-3/4"	59	43407	2	Hex Bolt 3/8-16 x 3/4" Lg.*
15	1650-21	4	Retaining Ring .594 I.D.	60	43082	2	Hex Lock Nut 3/8-16 Thd.
16	44007	6	Fl.-Washer (Shim) .596 x 1.125 x .025	61	1509-90	2	Hex Bolt 1/4-20 x 1-1/4" Lg.*
17	43182	4	Hex Bolt 5/16-18 x 3/4" Lg.*	62	0142-000	2	Cotter Pin 1/8" Dia. x 3/4" Lg.*
18	43407	2	Hex Bolt 3/8-16 x 3/4" Lg. (Gr. 5)	63	43978	2	Curved Hd. Bolt 1/4-20 x 1" Lg.
19	44008	2	Fl.-Washer .783 x 1.125 x .025	64	23331	4	Hopper Mount Clamp
20	44137	4	Fl.-Washer .51 x .990 x .020	65	23349	1	Hitch Bar
21	43070	4	Washer 3/8" Std.*	66	23354	2	Bag Retainer Clevis
22	0142-000	2	Cotter Pin 1/8" Dia. x 3/4" Lg.*	67	43001	3	Hex Bolt 3/8-16 x 1" Lg. (Gr. 5)
23	1038	2	Hex Lock Nut 3/8-243 Thd.	68	43062	1	Hex Bolt 3/8-16 x 1-1/2" Lg.*
24	43661	4	Hex Bolt 1/4-20 x 1" Lg.*	69	43082	6	Hex Lock Nut 3/8-16 Thd.
25	43013	12	Hex Lock Nut 1/4-20 Thd.	70	R19172410	1	Fl.-Washer 17/32 x 1-1/2"
26	1095	4	Truss. Slotted Hd. Scr. #10-32 x 1/2" Lg.	71	43082	2	Hex Lock Nut 3/8-16 Thd.
27	43081	2	Washer, 5/16" Std.	72	43070	2	Fl.-Washer 3/8" Std.
28	43064	1	Hex Nut 5/16-18 Thd.	73	43087	4	Hex Bolt 3/8-16 x 1-1/4" Lg.*
29	43080	1	Carriage Bolt 5/16-18 x 3/4" Lg.*	74	44060	4	Rivet
30	23400	3	Bushing Spacer	75	43343	1	Hairpin Cotter 5/32
31	44313	1	Wind Screen	76	23353	1	Hitch Pin
32	1652-13	2	Ball Bearing .5915" I.D.	77	23368	2	Hitch Adjustment Tubes
33	1629-56	2	Bearing Retainer	78	43737	1	Hopper Rope
34	62445	1	Sweeper Housing Ass'y.	79	43064	4	Hex Lock Nut 5/16-18 Thd.
35	44321	2	Dust Cover	80	19111116	4	Washer, Std. 5/16" S.A.E.
36	43012	8	Hex Bolt 1/4-20 x 3/4" Lg (Gr. 5)	81	62658	1	Wheel Hanger Ass'y.-R.H.
37	62501	1	Height Adjustment Tube Ass'y.	82	62657	1	Wheel Hanger Ass'y.-L.H.
38	62489	2	Brush Bushing Ass'y.	83	44377	2	Hex Bolt 3/8-24 x 1" Lg.*
39	23723	1	Brush Shaft	84	43086	1	Lock Washer 5/16" I.D.*
40	23580	4	Brush Retainer (Double)	85	43910	4	Washer
41	23581	8	Brush Retainer (Single)	86	44312	2	Sprocket Gear
42	43985	2	Wheel Ass'y. Comp.	87	44006	2	Washer, Flat .596 x .859 x .025
43	23345	2	Skirt Retainer	88	44137	2	Washer .51 x .990 x .02
44	43943	1	Grip	89	43894	2	Retaining Ring - 1/2"
45	43080	1	Carriage Bolt 5/16-18 x 3/4" Lg.*	90	44319	2	Roller Chain
				91	44320	2	Washer .515 x .75 x .026
				92	43659	2	Spring Pin 3/16 x 1"
					44374	1	Owner's Manual

* Common hardware may be purchased locally.

For Husqvarna Parts Call 606-678-9623 or 606-561-4983



REPAIR PARTS
303 West Raymond Street
Sullivan, Illinois 61951
(217) 728-8388

www.mymowerparts.com