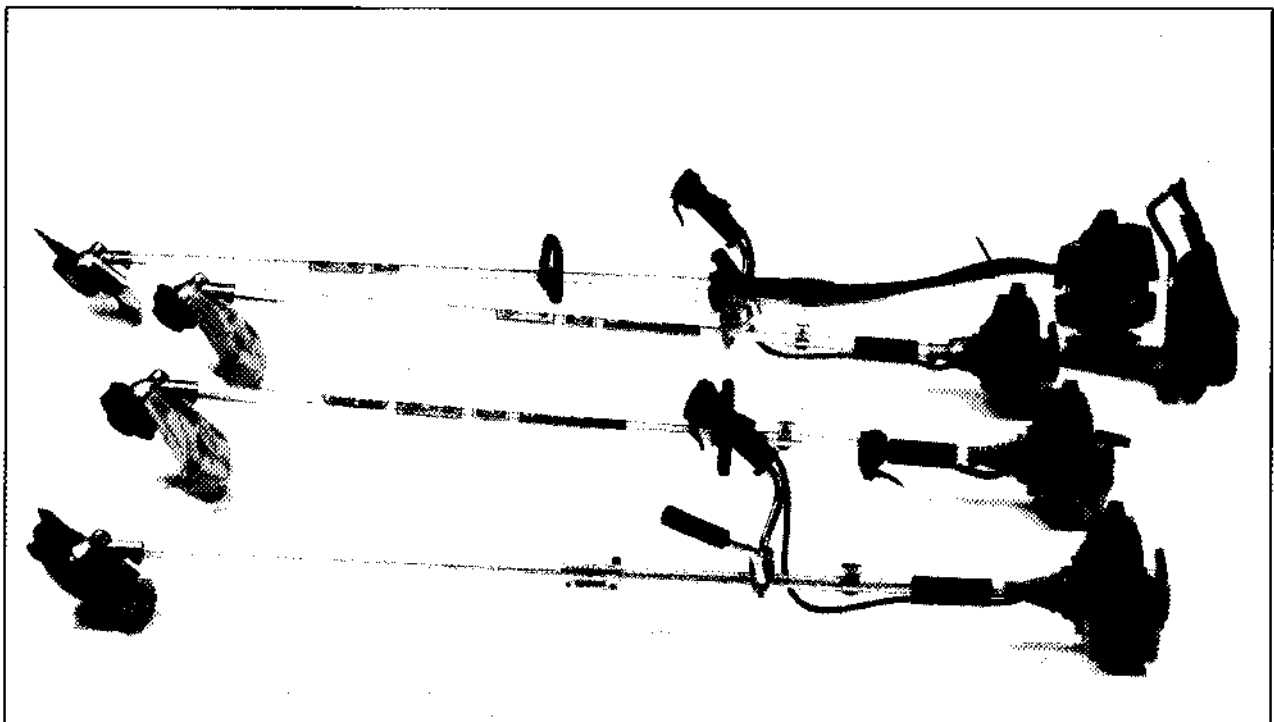
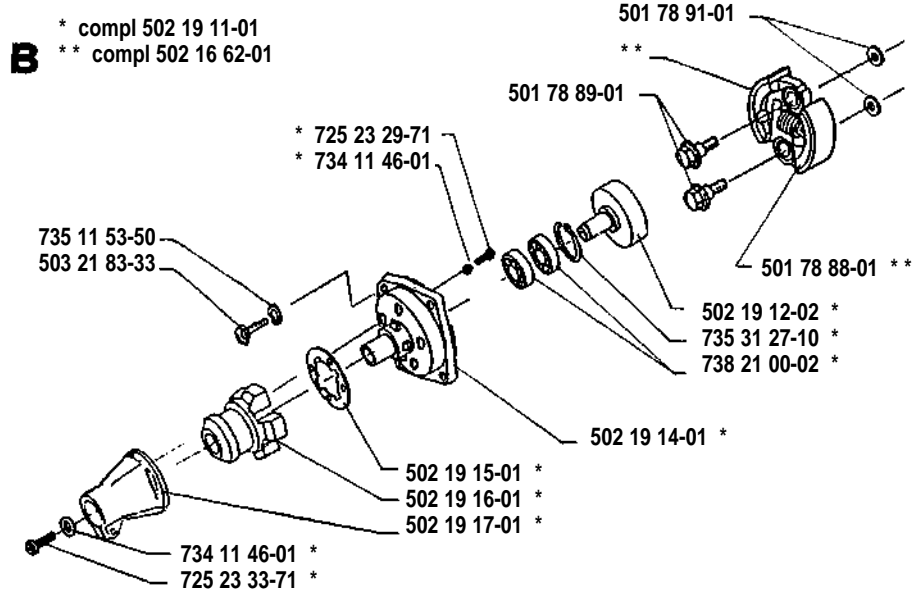
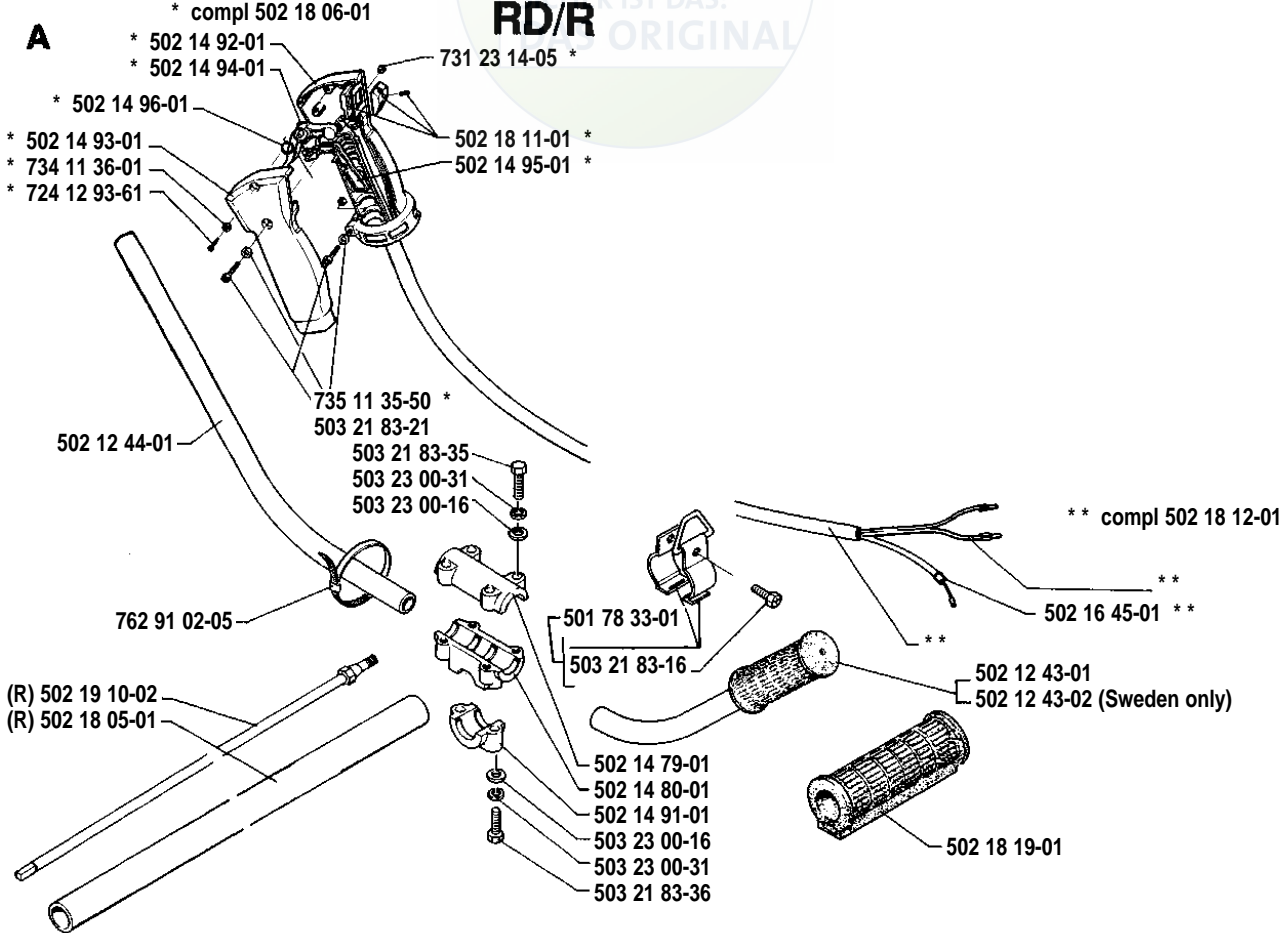


22R/RL/LD **25R/RL/RD/BL/BT**



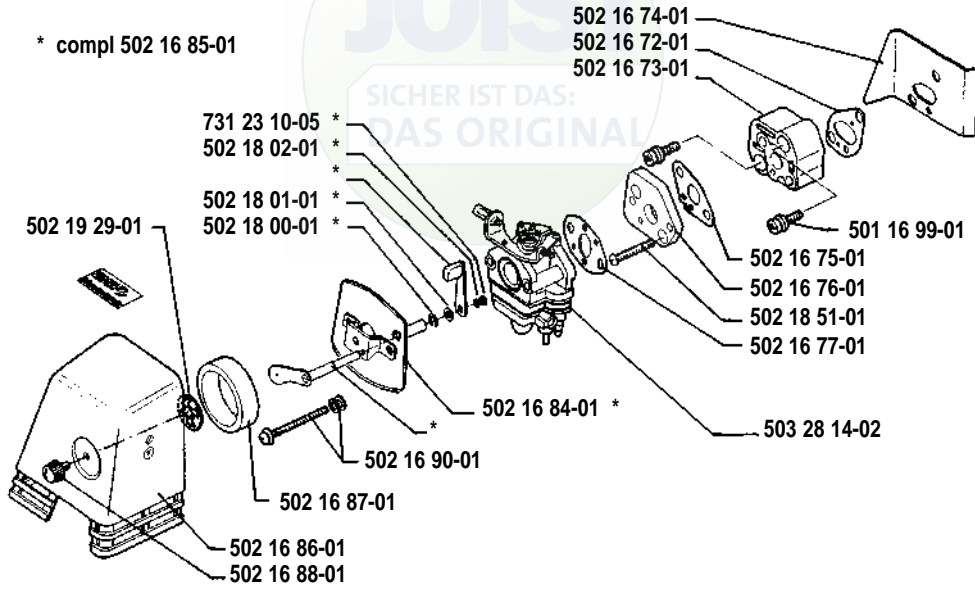
1. 1990
Spare parts
Ersatzteile
Pièces de rechange
Reservdelar

RD/R

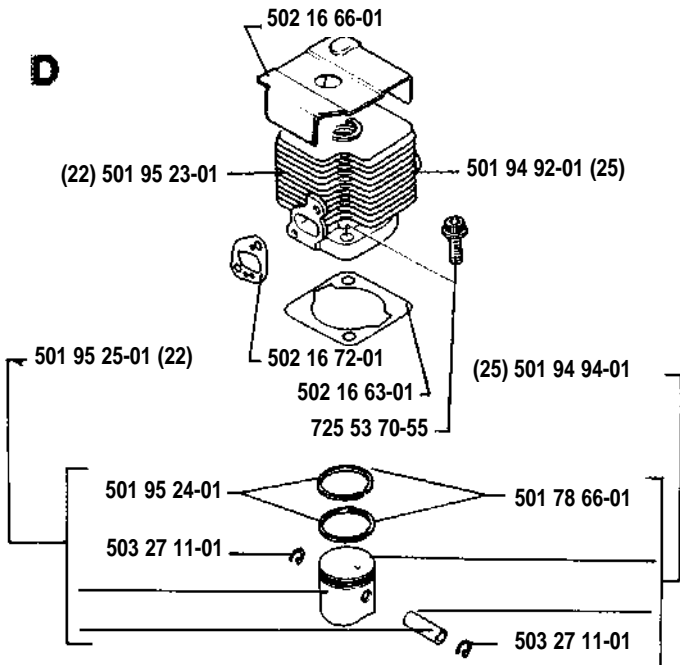


C

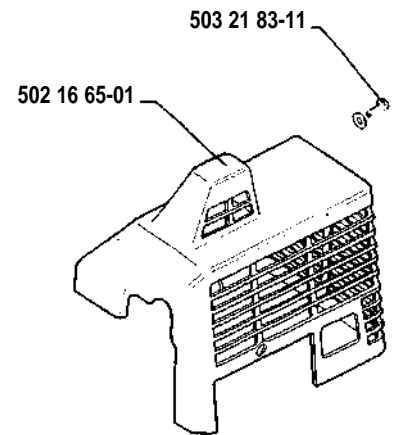
* compl 502 16 85-01



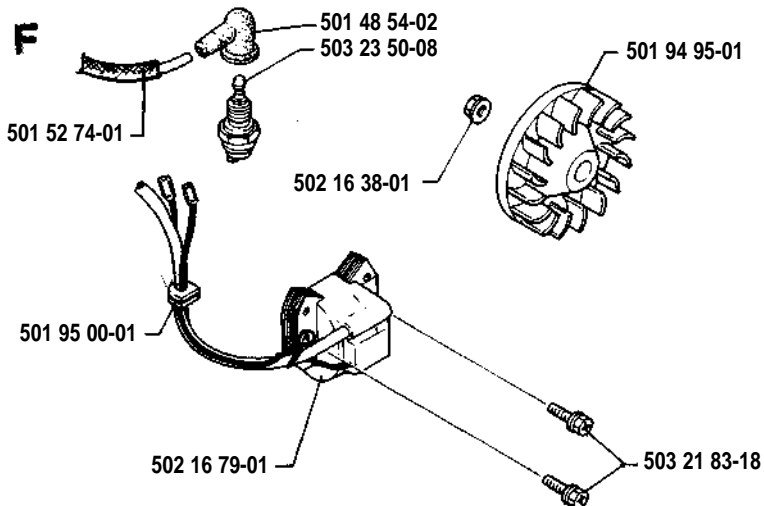
D



E

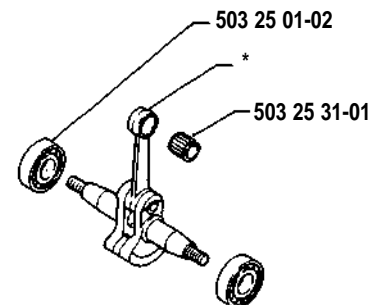


F

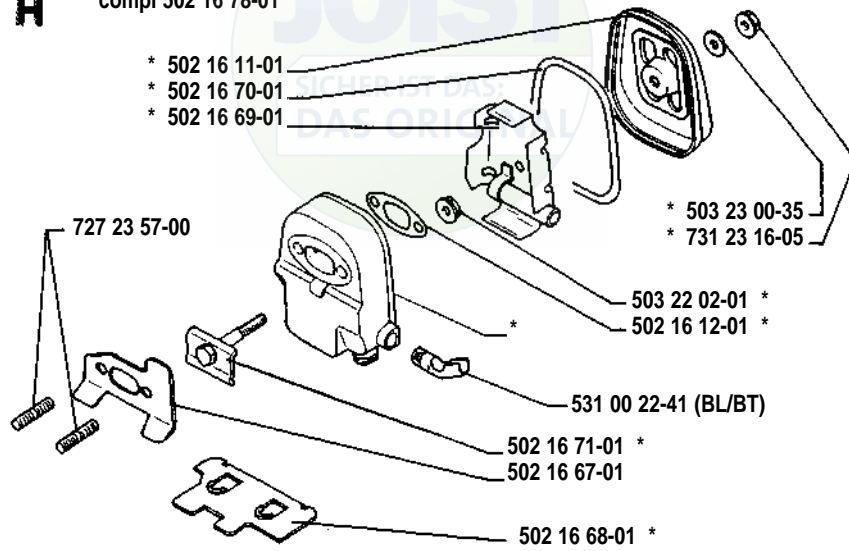


G

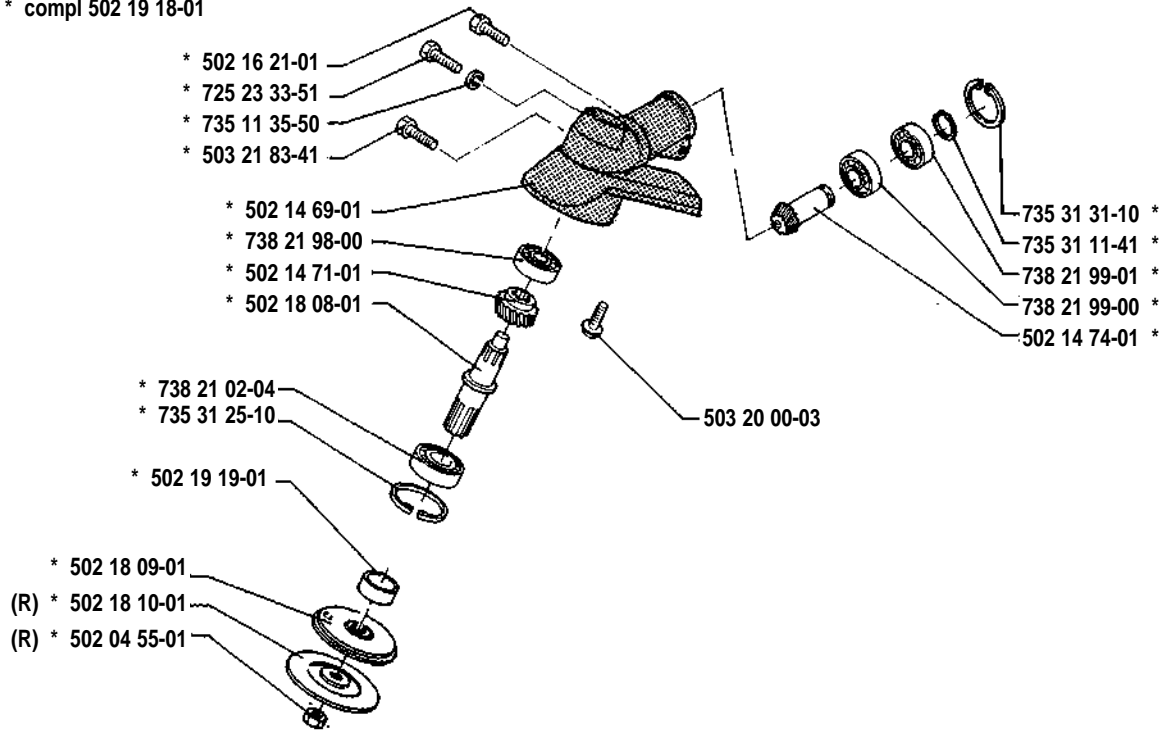
* compl 501 94 96-01



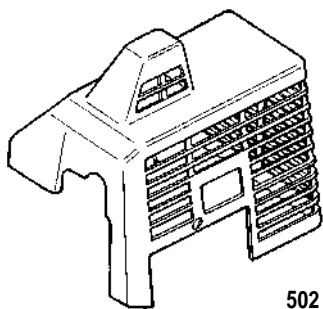
H * compl 502 16 78-01



J * compl 502 19 18-01



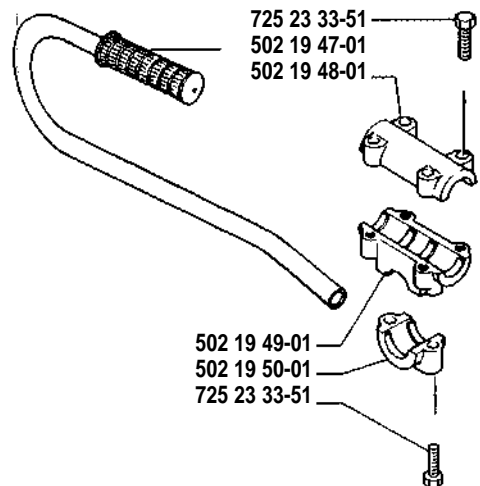
P



502 16 91-01

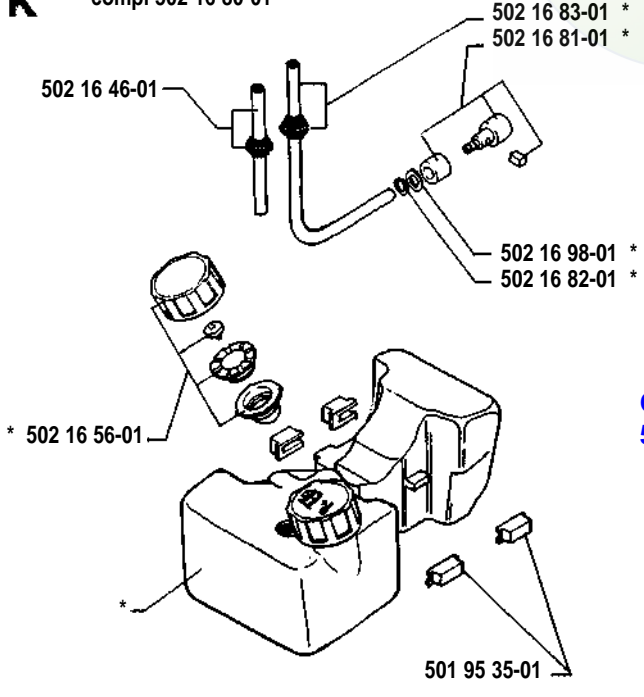
SA

S

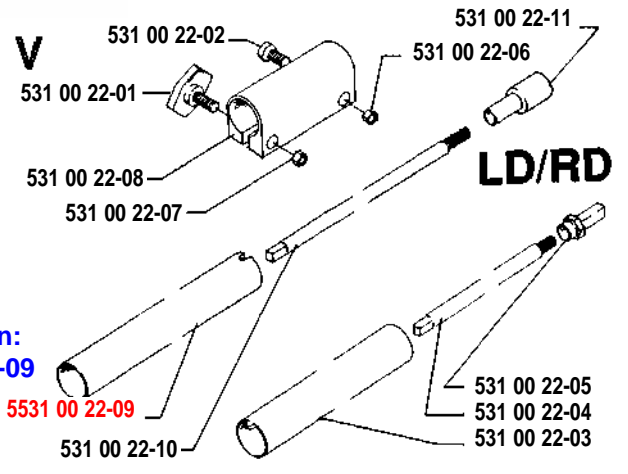




K * compl 502 16 80-01



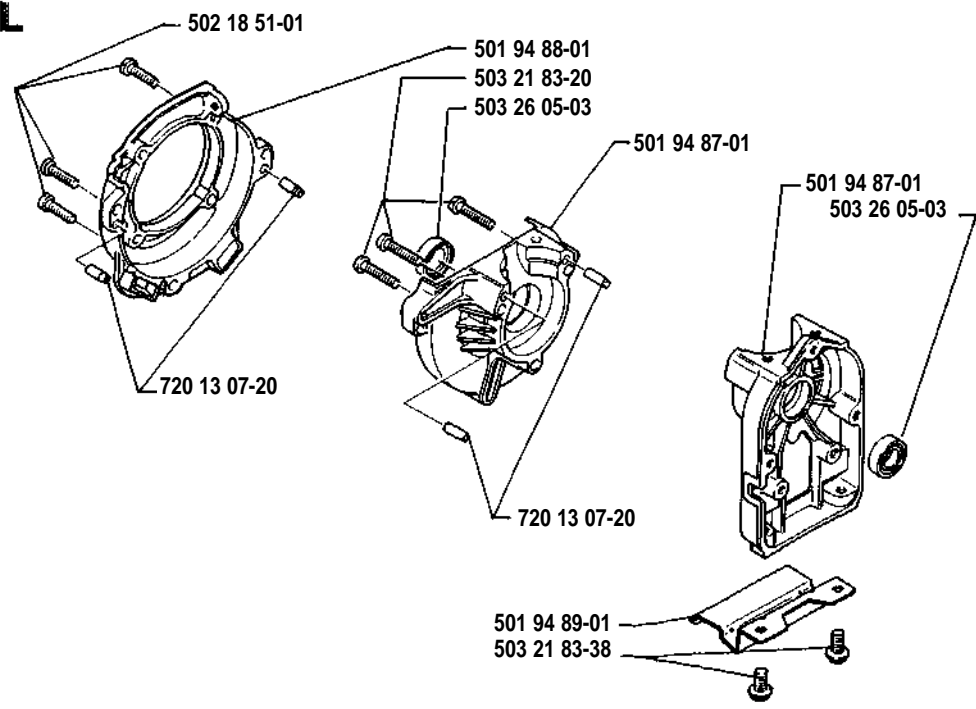
V



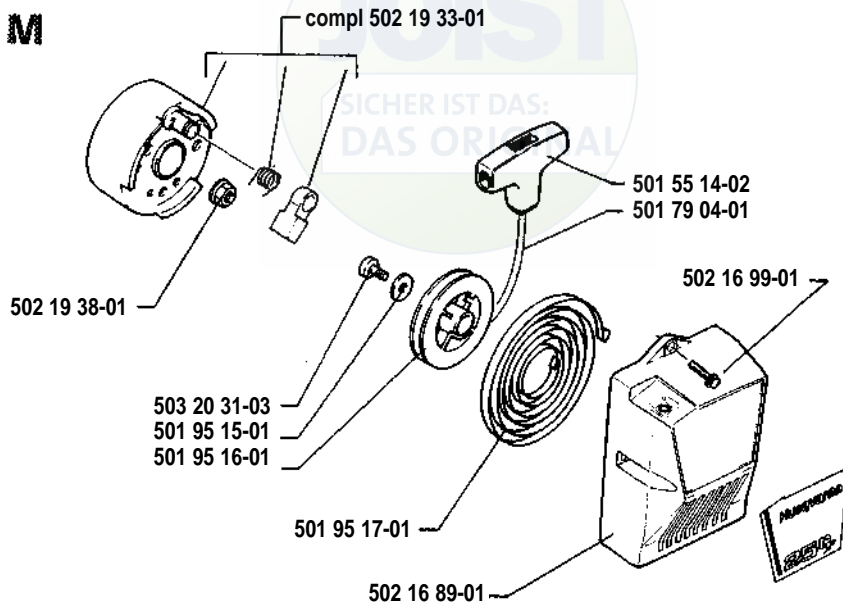
Correction:
531 00 22-09

531 00 22-09

L

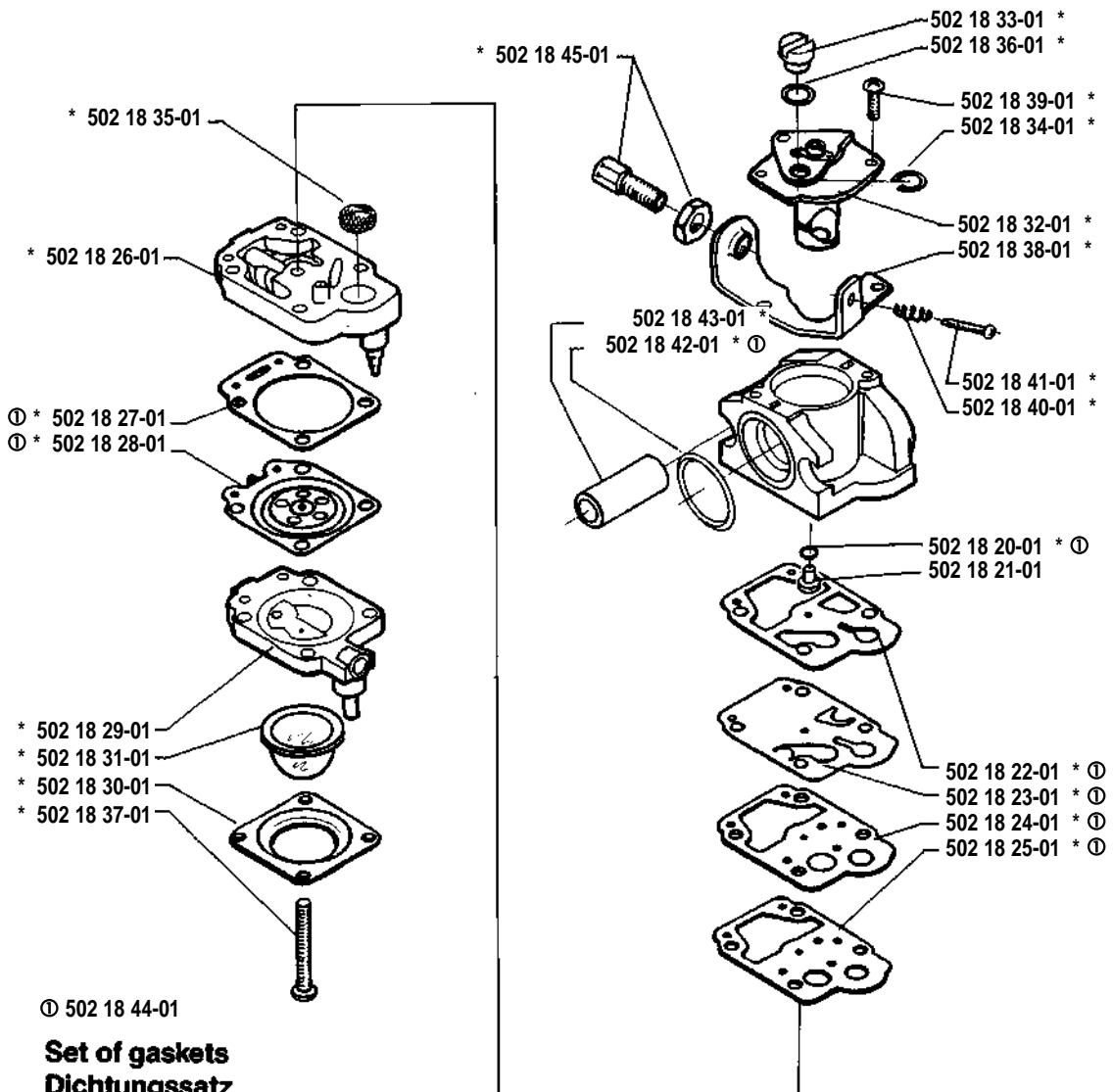


M



N * compl 503 28 14-02

Walbro WY 55

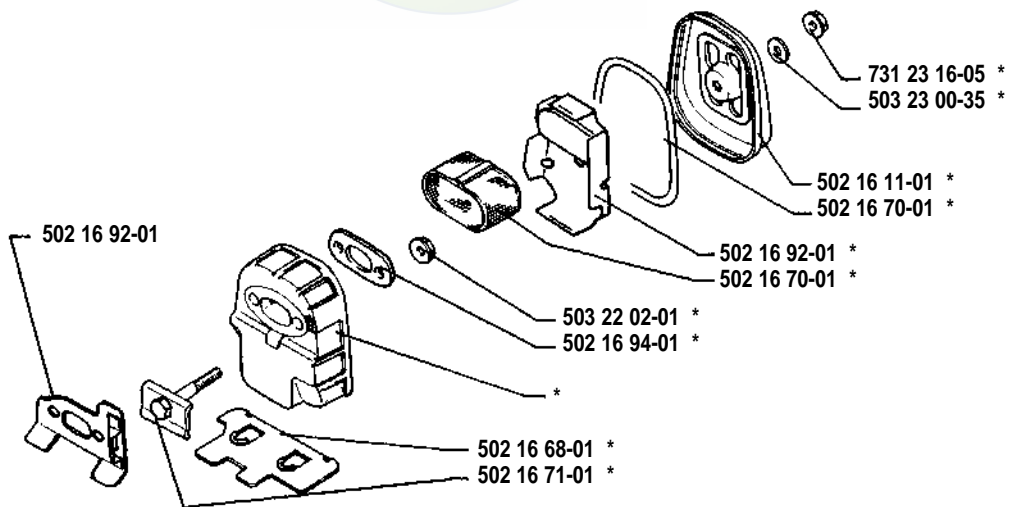


① 502 18 44-01
Set of gaskets
Dichtungssatz
Jeu de joints
Juego de juntas
Packningssats



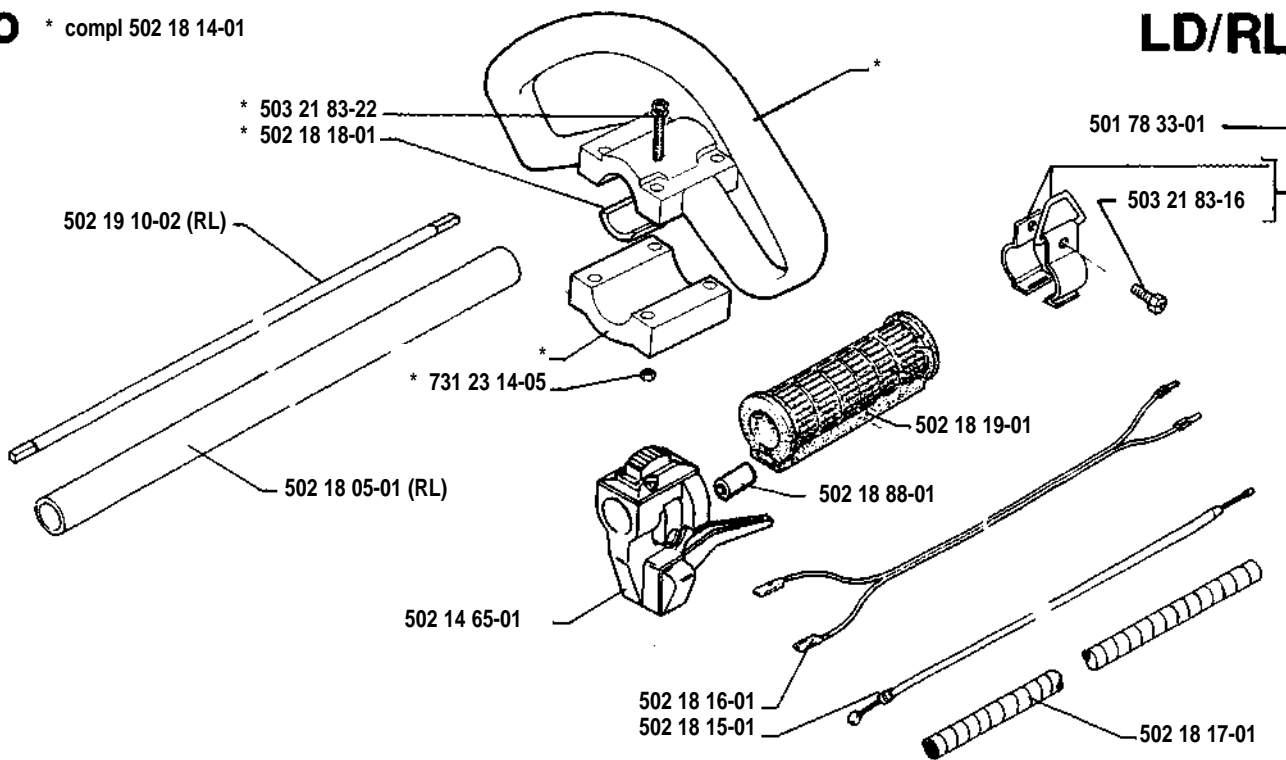
R * compl 502 16 93-01

SA (Spark arrestor)



O * compl 502 18 14-01

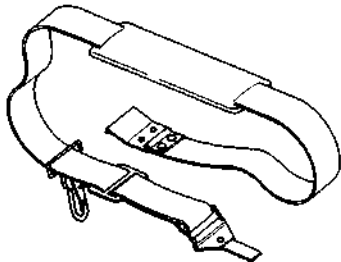
LD/RL



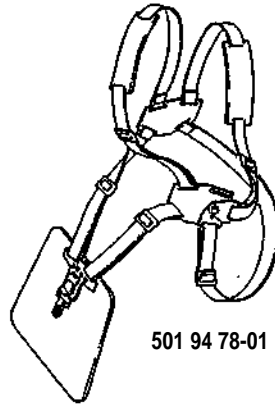


Q

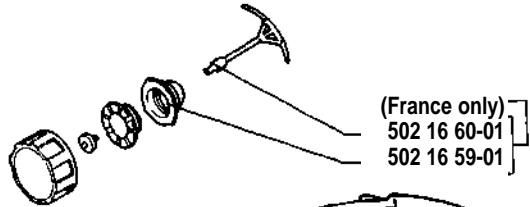
Accessoires
Zubehöre
Accessoires
Accesorios
Tillbehör



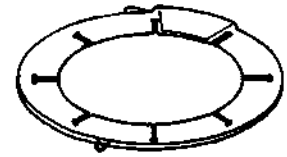
501 78 40-01



501 94 78-01



(France only)
502 16 60-01
502 16 59-01



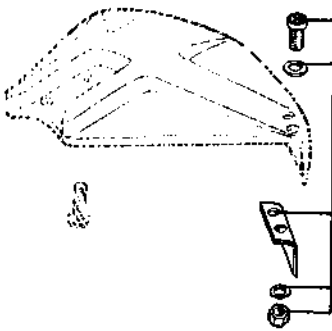
502 18 13-01



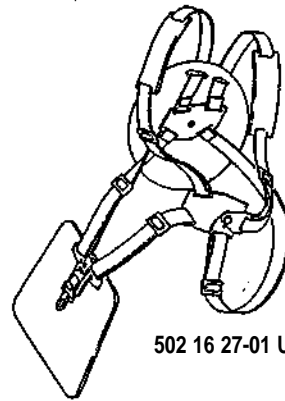
501 69 17-01



501 31 40-01



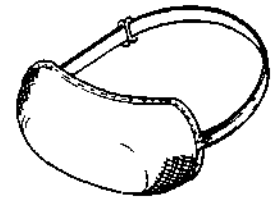
501 92 77-01



502 16 27-01 USA



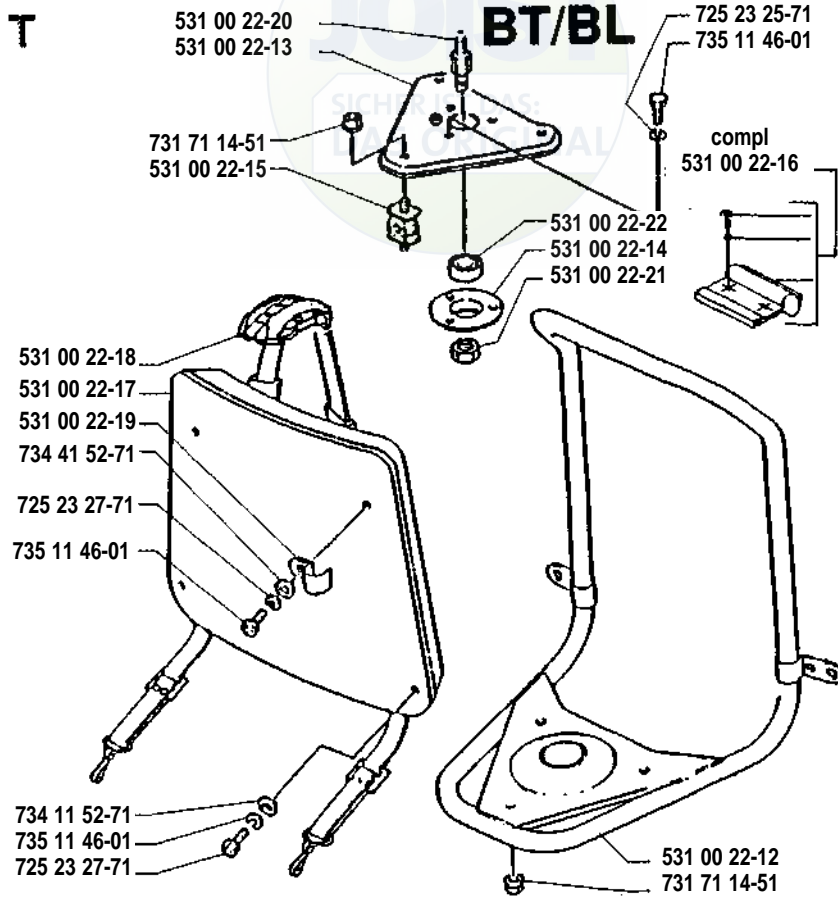
502 02 61-01



501 95 49-01

T

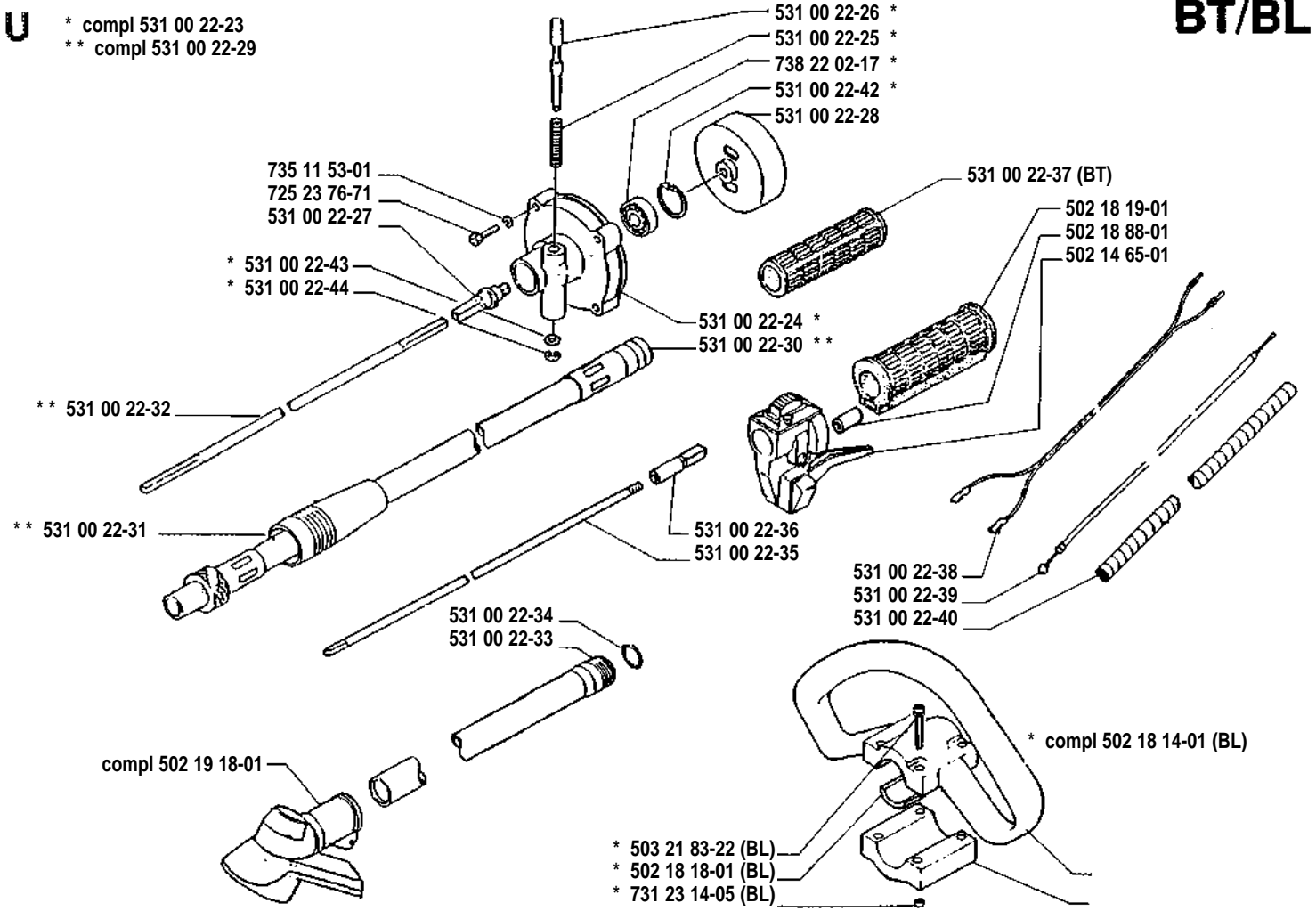
BT/BL



U

BT/BL

* compl 531 00 22-23
 ** compl 531 00 22-29



MODEL NUMBER 22/25

| PARTNUMBER | SQUARE | NOTE | PARTNUMBER | SQUARE | NOTE | PARTNUMBER | SQUARE | NOTE | PARTNUMBER | SQUARE | NOTE |
|--------------|--------|------|--------------|---------|------|--------------|--------|------|--------------|---------|------|
| 501 31 40-01 | Q | | 502 16 77-01 | C | | 502 19 14-01 | B | | 531 00 22-33 | U | |
| 501 48 54-02 | F | | 502 16 78-01 | H | | 502 19 15-01 | B | | 531 00 22-34 | U | |
| 501 52 74-01 | F | | 502 16 79-01 | F | | 502 19 16-01 | B | | 531 00 22-35 | U | |
| 501 55 14-02 | M | | 502 16 80-01 | K | | 502 19 17-01 | B | | 531 00 22-36 | U | |
| 501 69 17-01 | Q | | 502 16 81-01 | K | | 502 19 18-01 | J, U | | 531 00 22-37 | U | |
| 501 78 31-01 | A, O | | 502 16 82-01 | K | | 502 19 19-01 | J | | 531 00 22-38 | U | |
| 501 78 33-01 | A, O | | 502 16 83-01 | K | | 502 19 29-01 | C | | 531 00 22-39 | U | |
| 501 78 40-01 | Q | | 502 16 84-01 | C | | 502 19 30-01 | Q | | 531 00 22-40 | U | |
| 501 78 66-01 | D | | 502 16 85-01 | C | | 502 19 32-01 | G | | 531 00 22-41 | H | |
| | | | 502 16 86-01 | C | | 502 19 33-01 | M | | 531 00 22-42 | U | |
| 501 78 88-01 | B | | 502 16 87-01 | C | | 502 19 38-01 | F | | 531 00 22-43 | U | |
| 501 78 89-01 | B | | 502 16 88-01 | C | | 502 19 47-01 | S | | 531 00 22-44 | U | |
| 501 78 91-01 | B | | 502 16 89-01 | M | | 502 19 48-01 | S | | 720 13 07-20 | L | |
| 501 79 04-01 | M | | 502 16 90-01 | C | | 502 19 49-01 | S | | 724 12 93-61 | A | |
| 501 92 77-01 | Q | | 502 16 91-01 | P | | 502 19 50-01 | S | | 725 23 25-71 | T | |
| 501 94 78-01 | Q | | 502 16 92-01 | R | | 502 20 00-03 | J | | 725 23 27-71 | T | |
| 501 94 87-01 | L | | 502 16 93-01 | R | | 503 20 31-03 | M | | 725 23 29-71 | B | |
| 501 94 88-01 | L | | 502 16 94-01 | R | | 503 21 83-11 | E | | 725 23 33-51 | J, S | |
| 501 94 89-01 | L | | 502 16 95-01 | R | | 503 21 83-16 | A, O | | 725 23 33-71 | B | |
| 501 94 92-01 | D | | 502 16 96-01 | R | | 503 21 83-18 | F | | 725 23 76-71 | U | |
| 501 94 94-01 | D | | 502 16 98-01 | K | | 503 21 83-20 | L | | 725 53 70-55 | D | |
| 501 94 95-01 | F | | 502 16 99-01 | C, M | | 503 21 83-21 | A | | 727 23 57-00 | H | |
| 501 95 00-01 | F | | 502 18 00-01 | C | | 503 21 83-22 | O, U | | 731 23 10-05 | C | |
| 501 95 15-01 | M | | 502 18 01-01 | C | | 503 21 83-33 | B | | 731 23 14-05 | A, O, U | |
| 501 95 16-01 | M | | 502 18 02-01 | C | | 503 21 83-35 | A | | 731 23 16-05 | H, R | |
| 501 95 17-01 | M | | 502 18 05-01 | A, O | | 503 21 83-36 | A | | 731 71 14-51 | T | |
| 501 95 23-01 | D | | 502 18 06-01 | A | | 503 21 83-38 | L | | 734 11 36-01 | A | |
| 501 95 24-01 | D | | 502 18 08-01 | J | | 503 21 83-41 | J | | 734 11 46-01 | B | |
| 501 95 25-01 | D | | 502 18 09-01 | J | | 503 22 02-01 | H, R | | 734 11 52-71 | T | |
| 501 95 35-01 | K | | 502 18 10-01 | J | | 503 23 00-16 | A | | 735 11 35-50 | A, J | |
| 501 95 49-01 | Q | | 502 18 11-01 | A | | 503 23 00-31 | A | | 735 11 46-01 | T | |
| 502 02 61-01 | Q | | 502 18 12-01 | A | | 503 23 00-35 | H, R | | 735 11 53-01 | U | |
| 502 04 55-01 | J | | 502 18 13-01 | Q | | 503 23 50-08 | F | | 735 11 53-50 | B | |
| 502 12 43-01 | A | | 502 18 14-01 | O | | 503 25 01-02 | G | | 735 31 11-41 | J | |
| 502 12 43-02 | A | | 502 18 15-01 | O | | 503 25 31-01 | G | | 735 31 25-10 | J | |
| 502 12 44-01 | A | | 502 18 16-01 | O | | 503 26 05-03 | L | | 735 31 27-10 | B | |
| 502 14 65-01 | O, U | | 502 18 17-01 | O | | 503 27 11-01 | D | | 735 31 31-10 | J | |
| 502 14 69-01 | J | | 502 18 18-01 | O, U | | 503 28 14-02 | C, N | | 738 21 02-04 | J | |
| 502 14 71-01 | J | | 502 18 19-01 | A, O, U | | 531 00 22-01 | V | | 738 21 98-00 | J | |
| 502 14 74-01 | J | | 502 18 20-01 | N | | 531 00 22-02 | V | | 738 21 99-00 | J | |
| 502 14 79-01 | A | | 502 18 21-01 | N | | 531 00 22-03 | V | | 738 21 99-01 | J | |
| 502 14 80-01 | A | | 502 18 22-01 | N | | 531 00 22-04 | V | | 738 22 02-17 | U | |
| 502 14 81-01 | A | | 502 18 23-01 | N | | 531 00 22-05 | V | | 762 91 02-05 | A | |
| 502 14 92-01 | A | | 502 18 24-01 | N | | 531 00 22-06 | V | | | | |
| 502 14 93-01 | A | | 502 18 25-01 | N | | 531 00 22-07 | V | | | | |
| 502 14 94-01 | A | | 502 18 26-01 | N | | 531 00 22-08 | V | | | | |
| 502 14 95-01 | A | | 502 18 27-01 | N | | 531 00 22-09 | V | | | | |
| 502 14 96-01 | A | | 502 18 28-01 | N | | 531 00 22-10 | V | | | | |
| 502 16 11-01 | H, R | | 502 18 29-01 | N | | 531 00 22-11 | V | | | | |
| 502 16 12-01 | H | | 502 18 30-01 | N | | 531 00 22-12 | T | | | | |
| 502 16 21-01 | J | | 502 18 31-01 | N | | 531 00 22-13 | T | | | | |
| 502 16 45-01 | A | | 502 18 32-01 | N | | 531 00 22-14 | T | | | | |
| 502 16 46-01 | K | | 502 18 33-01 | N | | 531 00 22-15 | T | | | | |
| 502 16 56-01 | K | | 502 18 34-01 | N | | 531 00 22-16 | T | | | | |
| 502 16 59-01 | Q | | 502 18 35-01 | N | | 531 00 22-17 | T | | | | |
| 502 16 60-01 | Q | | 502 18 36-01 | N | | 531 00 22-18 | T | | | | |
| 502 16 62-01 | B | | 502 18 37-01 | N | | 531 00 22-19 | T | | | | |
| 502 16 63-01 | D | | 502 18 38-01 | N | | 531 00 22-20 | T | | | | |
| 502 16 65-01 | E | | 502 18 39-01 | N | | 531 00 22-21 | T | | | | |
| 502 16 66-01 | D | | 502 18 40-01 | N | | 531 00 22-22 | T | | | | |
| 502 16 67-01 | H | | 502 18 41-01 | N | | 531 00 22-23 | U | | | | |
| 502 16 68-01 | H, R | | 502 18 42-01 | N | | 531 00 22-24 | U | | | | |
| 502 16 69-01 | H | | 502 18 43-01 | N | | 531 00 22-25 | U | | | | |
| 502 16 70-01 | H, R | | 502 18 44-01 | N | | 531 00 22-26 | U | | | | |
| 502 16 71-01 | H, R | | 502 18 45-01 | N | | 531 00 22-27 | U | | | | |
| 502 16 72-01 | C, D | | 502 18 51-01 | C, L | | 531 00 22-28 | U | | | | |
| 502 16 73-01 | C | | 502 18 88-01 | O, U | | 531 00 22-29 | U | | | | |
| 502 16 74-01 | C | | 502 19 10-02 | A, O | | 531 00 22-30 | U | | | | |
| 502 16 75-01 | C | | 502 19 11-01 | B | | 531 00 22-31 | U | | | | |
| 502 16 76-01 | C | | 502 19 12-02 | B | | 531 00 22-32 | U | | | | |