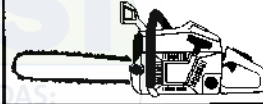


For Husqvarna Parts Call 606-678-9623 or 606-561-4983

 **Husqvarna**

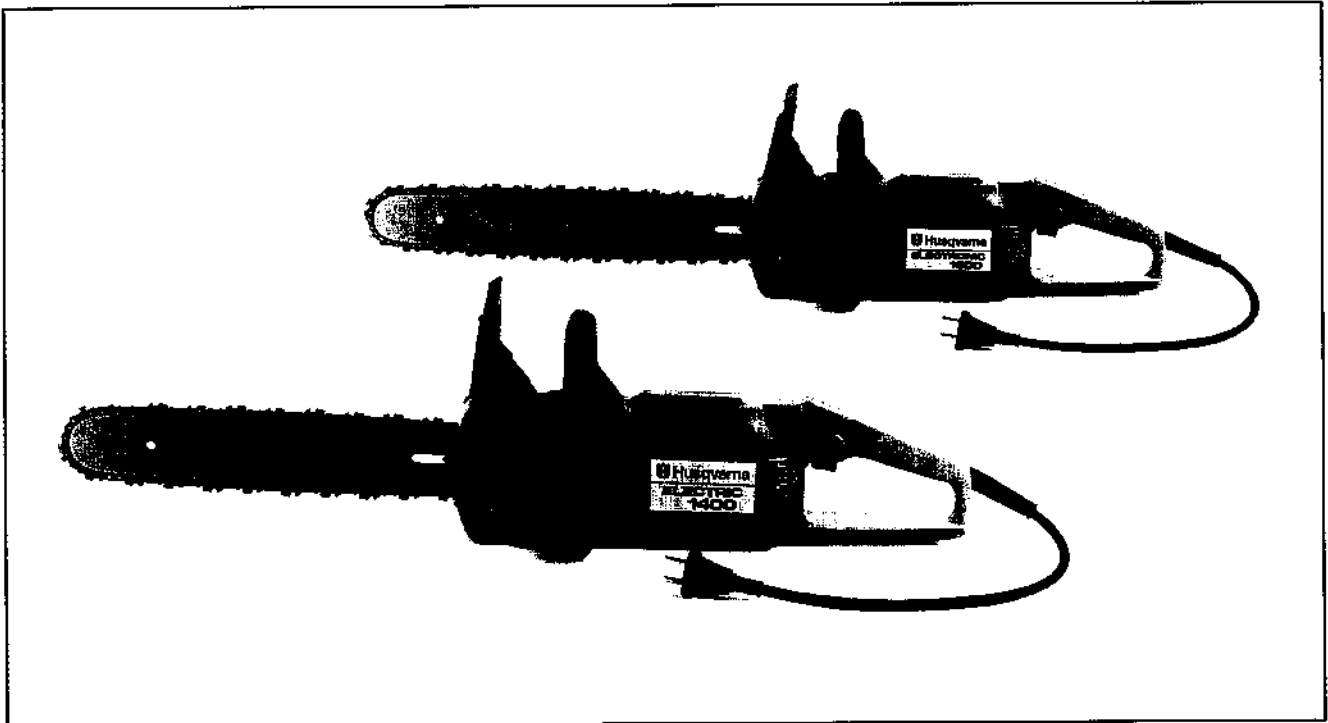
SERVICE



12

Electric 1400

Electronic 1600



1.1995

Spare parts

Ersatzteile

Pièces détachées

Repuestos

Reservdelar



MODEL NUMBER 1400/1600

PART NUMBER SQUARE NOTE

501 87 53-01 E
 508 03 09-01 AE
 508 03 12-01 AE
 508 03 18-10 B
 508 03 19-10 B
 508 03 23-02 B
 508 03 36-02 A
 508 03 38-01 F
 508 03 39-01 F
 508 03 40-03 F

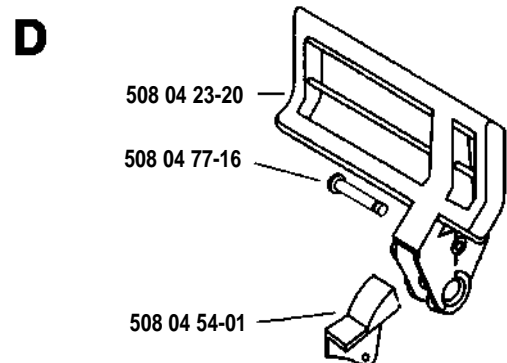
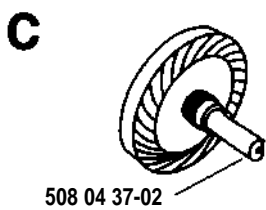
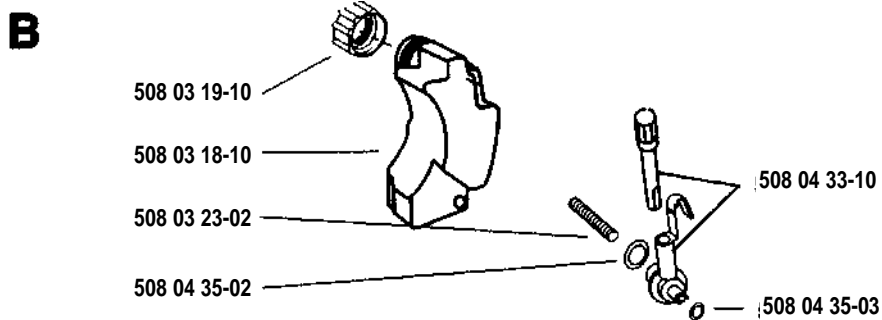
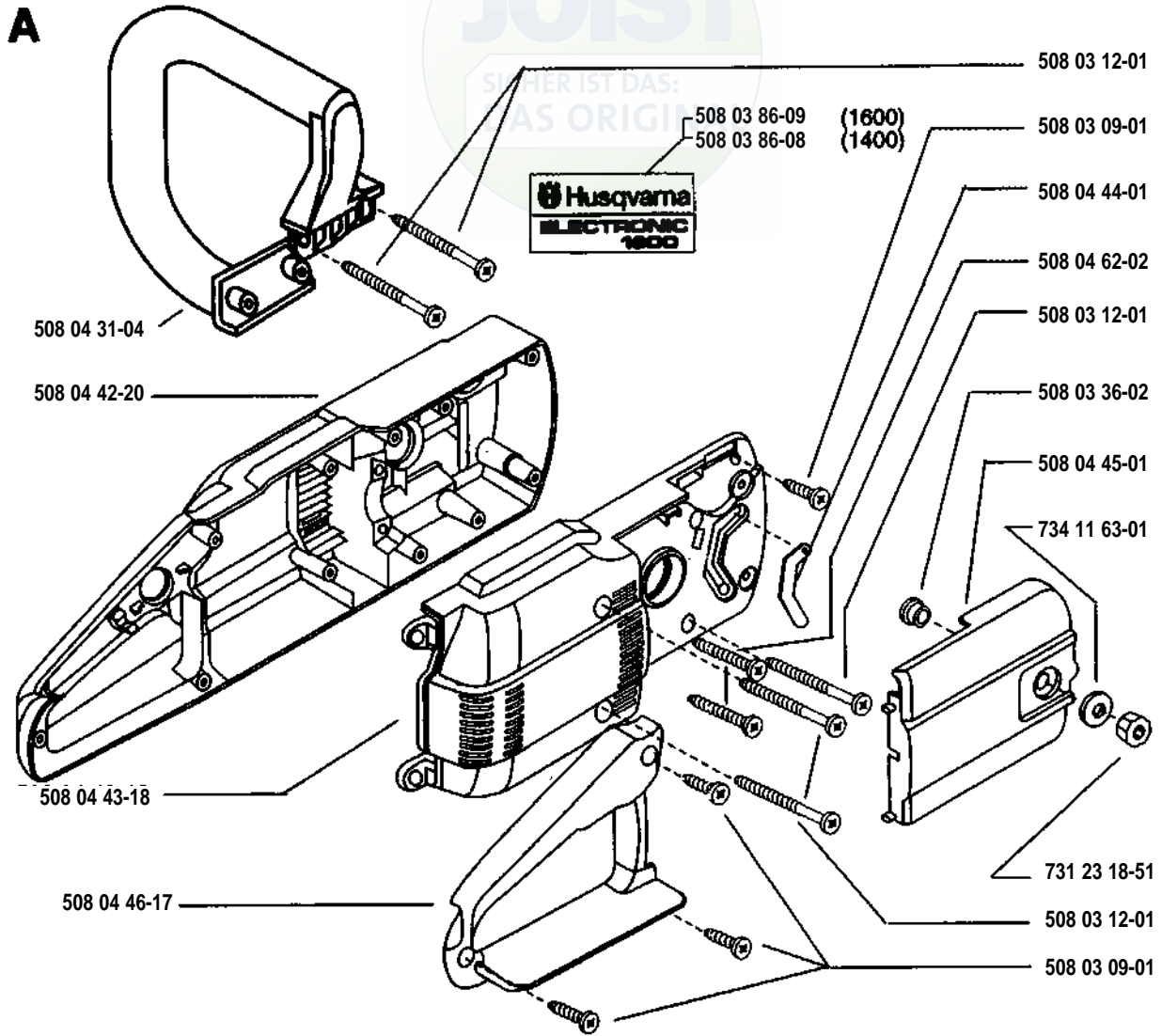
508 03 40-12 F N
 508 03 41-01 F
 508 03 42-04 F
 508 03 43-01 F
 508 03 44-01 EF
 508 03 80-02 G
 508 03 86-08 A N
 508 03 86-09 A N
 508 04 22-14 E N
 508 04 23-20 D N

508 04 27-06 G
 508 04 30-02 E
 508 04 31-04 A
 508 04 33-10 B N
 508 04 35-02 B
 508 04 35-03 B
 508 04 36-25 F N
 508 04 36-27 F N
 508 04 37-02 C
 508 04 38-15 F

508 04 38-17 F
 508 04 38-41 F N
 508 04 38-43 F N
 508 04 42-20 A
 508 04 43-18 A N
 508 04 44-01 A
 508 04 45-01 A N
 508 04 46-17 A N
 508 04 51-05 G
 508 04 54-01 D

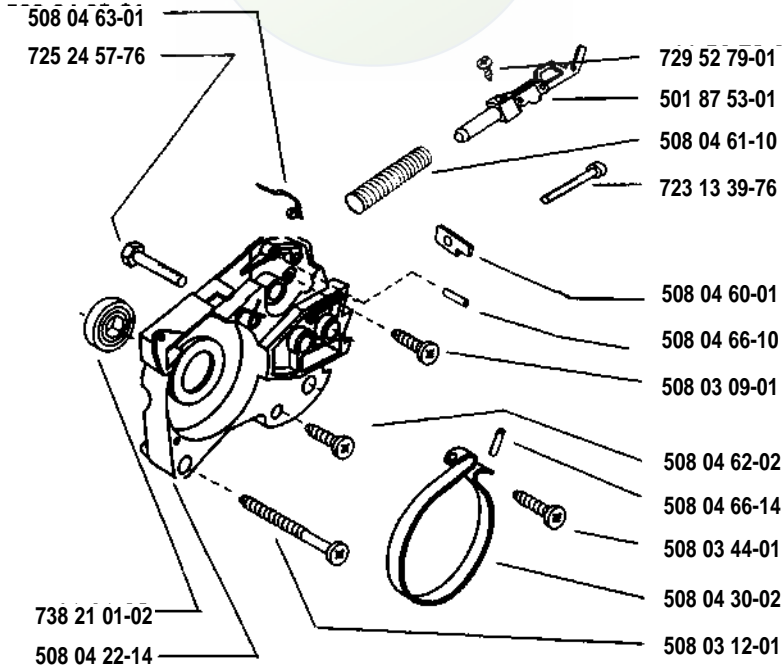
508 04 55-01 G
 508 04 56-01 G
 508 04 58-00 G
 508 04 60-01 E
 508 04 61-10 E
 508 04 62-02 AE
 508 04 63-01 E
 508 04 64-01 G
 508 04 66-10 E
 508 04 66-14 E

508 04 67-10 G
 508 04 69-10 F
 508 04 77-16 D N
 723 13 39-76 E N
 725 24 57-76 E
 725 63 29-51 G N
 729 52 79-01 E
 731 23 18-51 A
 734 11 63-01 A
 738 21 01-02 E

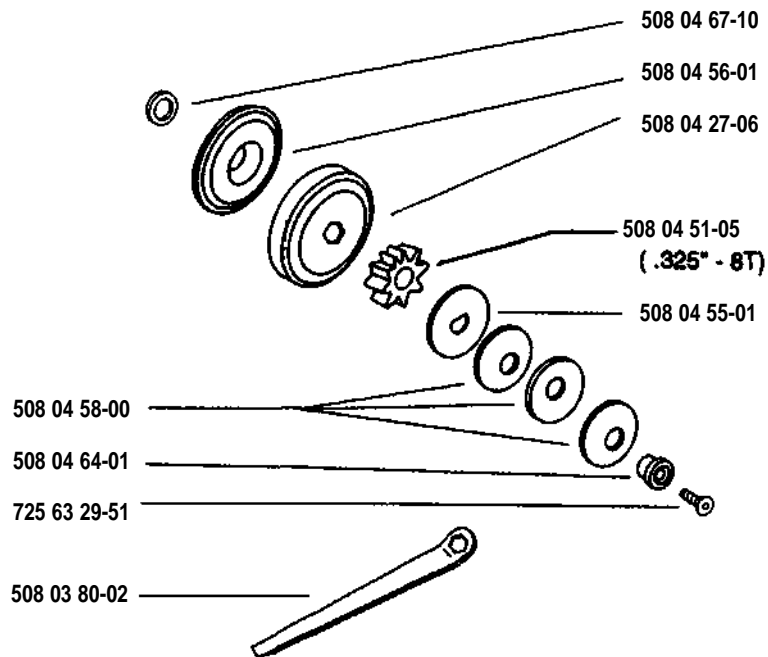




E



G





F

- 508 03 38-01
- 508 03 39-01 (CH)
- 508 03 40-12 (UK)
- 508 03 40-03 (AUS, NZ)

