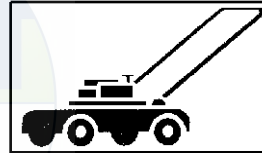


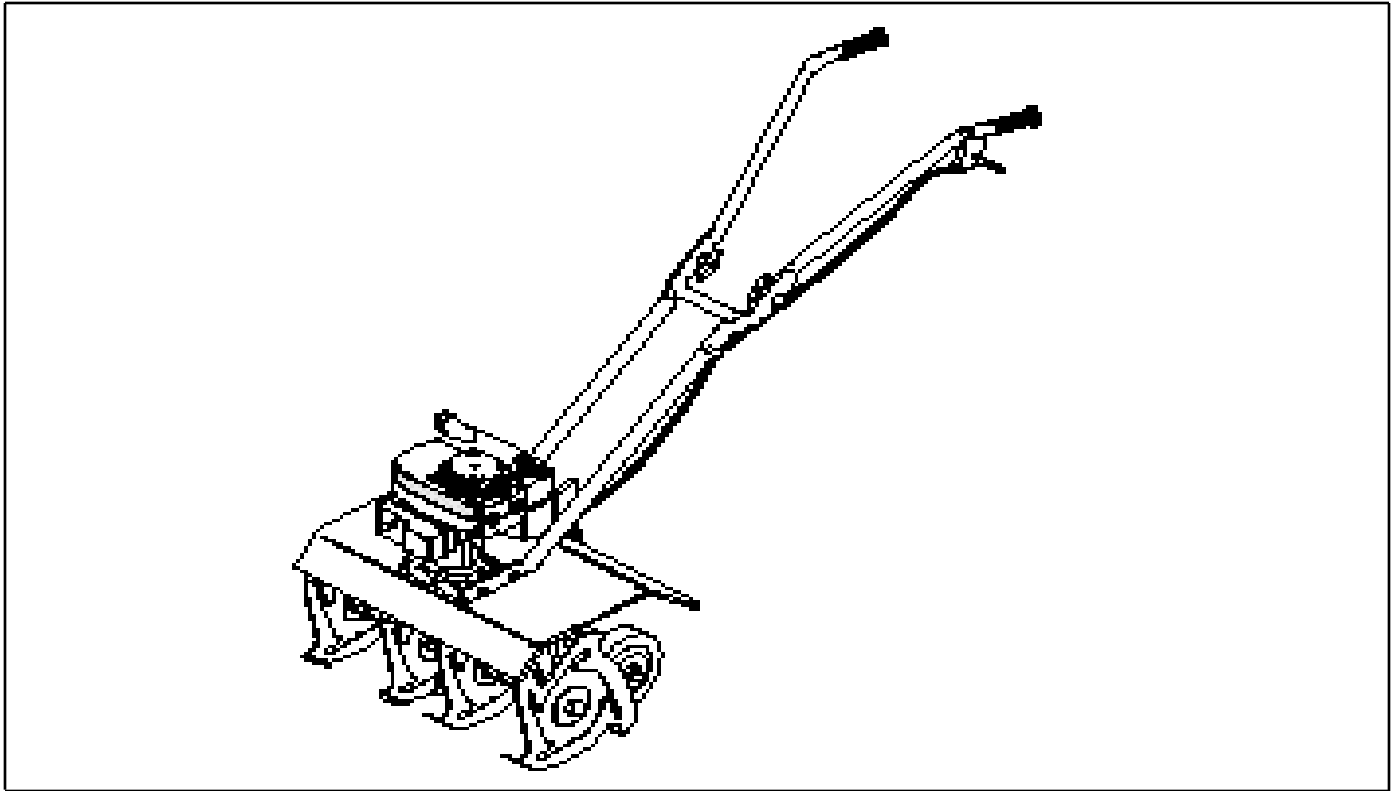
For Husqvarna Parts Call 606-678-9623 or 606-561-4983

 **Husqvarna**



14

CT16

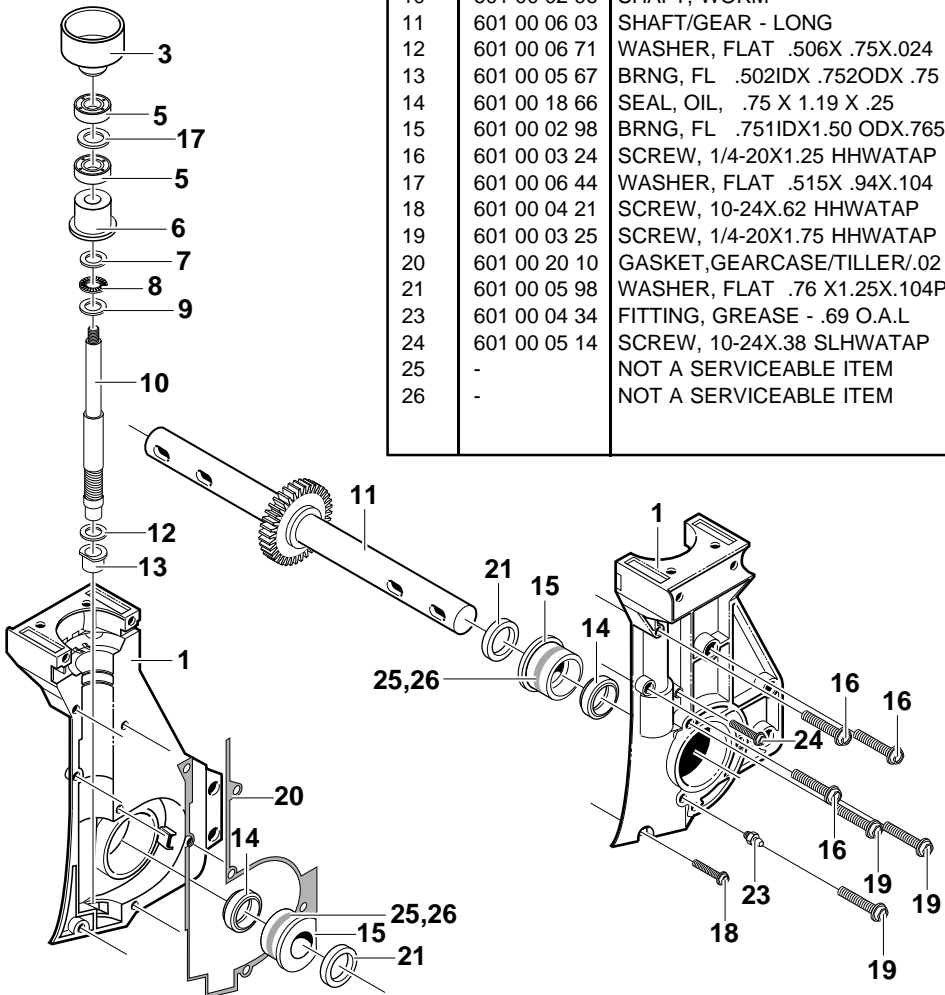


1.1997
Spare Parts

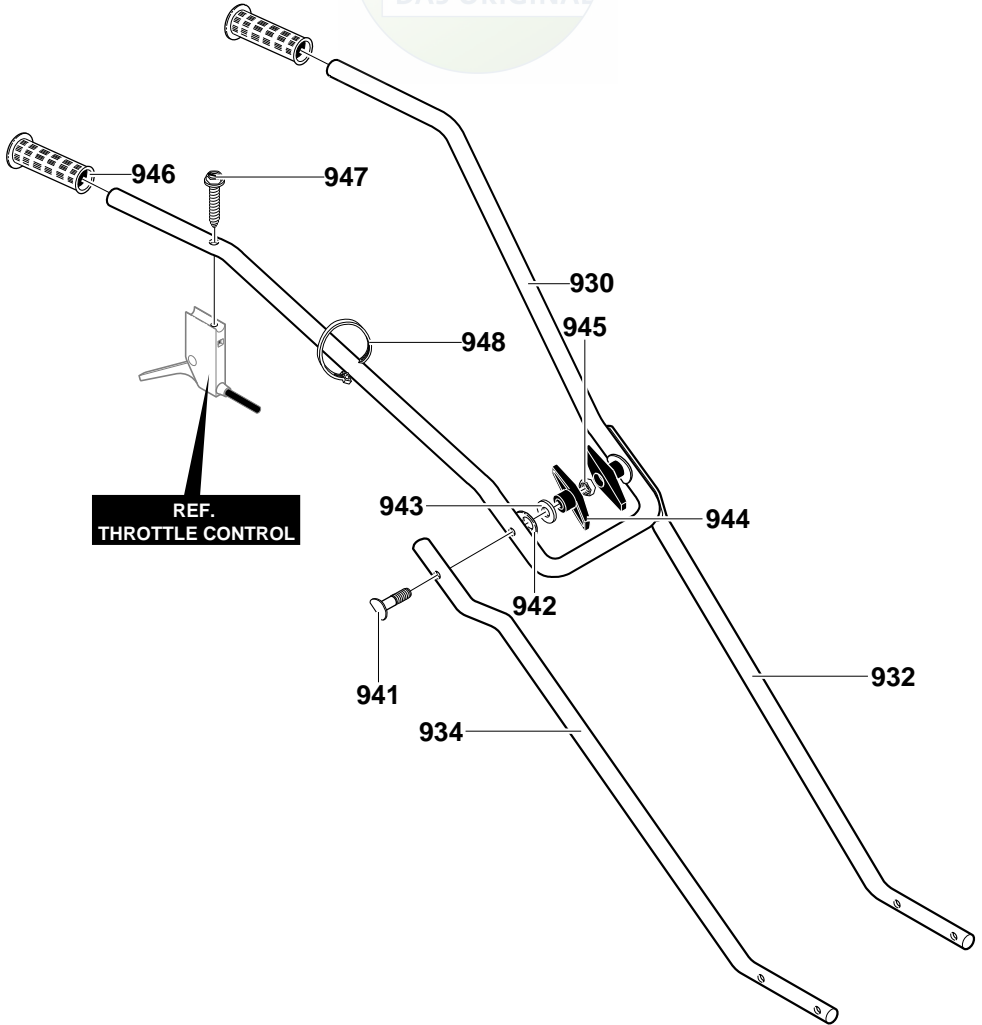
TRANSMISSION BREAKDOWN

DAS ORIGINAL

REF. NO.	PART NO.	PART NAME
1	601 00 18 64	GEARCASE HALF - RIGHT
2	601 00 18 65	GEARCASE HALF - LEFT
3	601 00 06 15	DRUM
4	601 00 12 98	SEALANT, GASKET ELIMINATOR
5	601 00 02 97	SEAL - OIL
6	601 00 04 37	BRNG, FL .501IDX1.002ODX .63
7	601 00 06 01	WASHER, THRUST
8	601 00 06 00	NEEDLE BEARING
9	601 00 04 24	WASHER, FLAT .50X .94X.120
10	601 00 02 96	SHAFT, WORM
11	601 00 06 03	SHAFT/GEAR - LONG
12	601 00 06 71	WASHER, FLAT .506X .75X.024
13	601 00 05 67	BRNG, FL .502IDX .752ODX .75
14	601 00 18 66	SEAL, OIL, .75 X 1.19 X .25
15	601 00 02 98	BRNG, FL .751IDX1.50 ODX.765
16	601 00 03 24	SCREW, 1/4-20X1.25 HHWATAP
17	601 00 06 44	WASHER, FLAT .515X .94X.104
18	601 00 04 21	SCREW, 10-24X.62 HHWATAP
19	601 00 03 25	SCREW, 1/4-20X1.75 HHWATAP
20	601 00 20 10	GASKET,GEARCASE/TILLER/.02
21	601 00 05 98	WASHER, FLAT .76 X1.25X.104PL
23	601 00 04 34	FITTING, GREASE - .69 O.A.L
24	601 00 05 14	SCREW, 10-24X.38 SLHWATAP
25	-	NOT A SERVICEABLE ITEM
26	-	NOT A SERVICEABLE ITEM



HANDLE ASSEMBLY DAS ORIGINAL



**REF.
THROTTLE CONTROL**

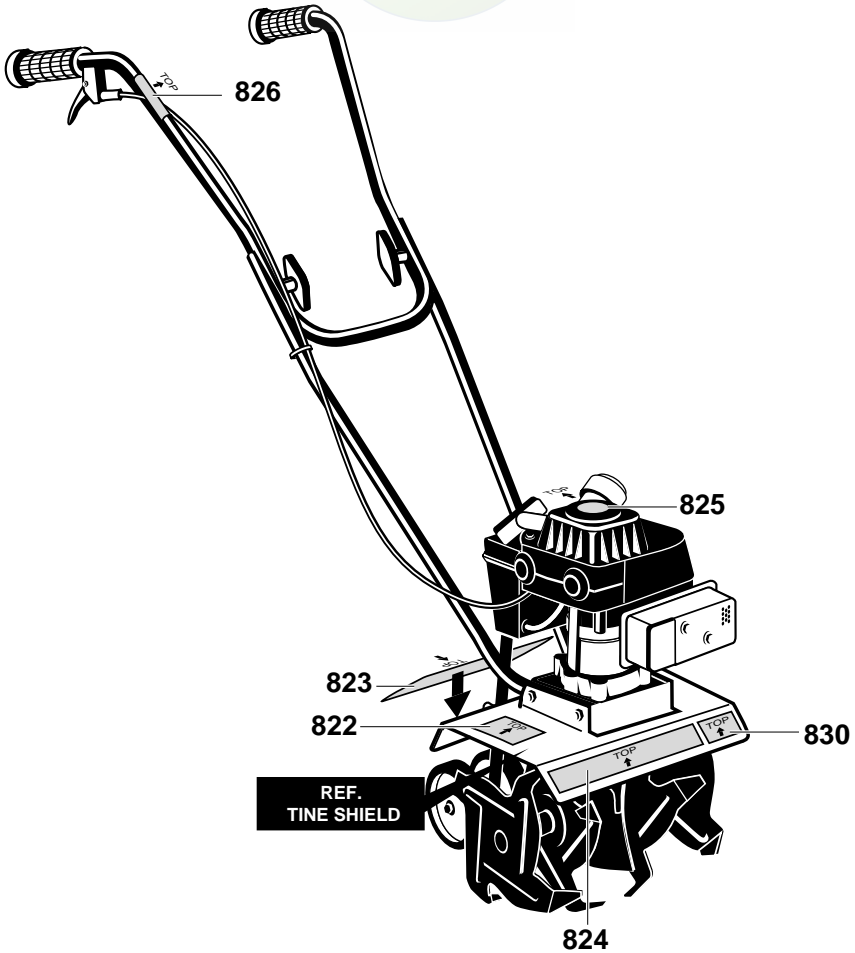
REF. NO.	PART NO.	PART NAME
930	601 00 22 62	HANDLE, UPPER .75X18GASTEEL
932	601 00 22 63	HDL, LOWER LH
934	601 00 22 64	HDL, LOWER RH
941	601 00 12 94	BOLT, 5/16-18X1.63 CARRSP
942	601 00 06 64	WASHER,.343IDX1.0X.062 FORM
943	601 00 00 19	WASHER, FLAT .344X .69X.065
944	601 00 06 84	KNOB, T 2BLADE W/516/18 NUT
945	601 00 00 12	NUT, 5/16-18 REGHEX
946	601 00 06 18	GRIP, HAND
947	601 00 12 15	SCREW, 10-16X1.50 WAHHTAP
948	601 00 06 28	TIE, CABLE BLACK NYLON 5.62L

319375B

For Husqvarna Parts Call 606-678-9623 or

TILLAGE CULTIVATOR PARTS CT16
606-561-4983

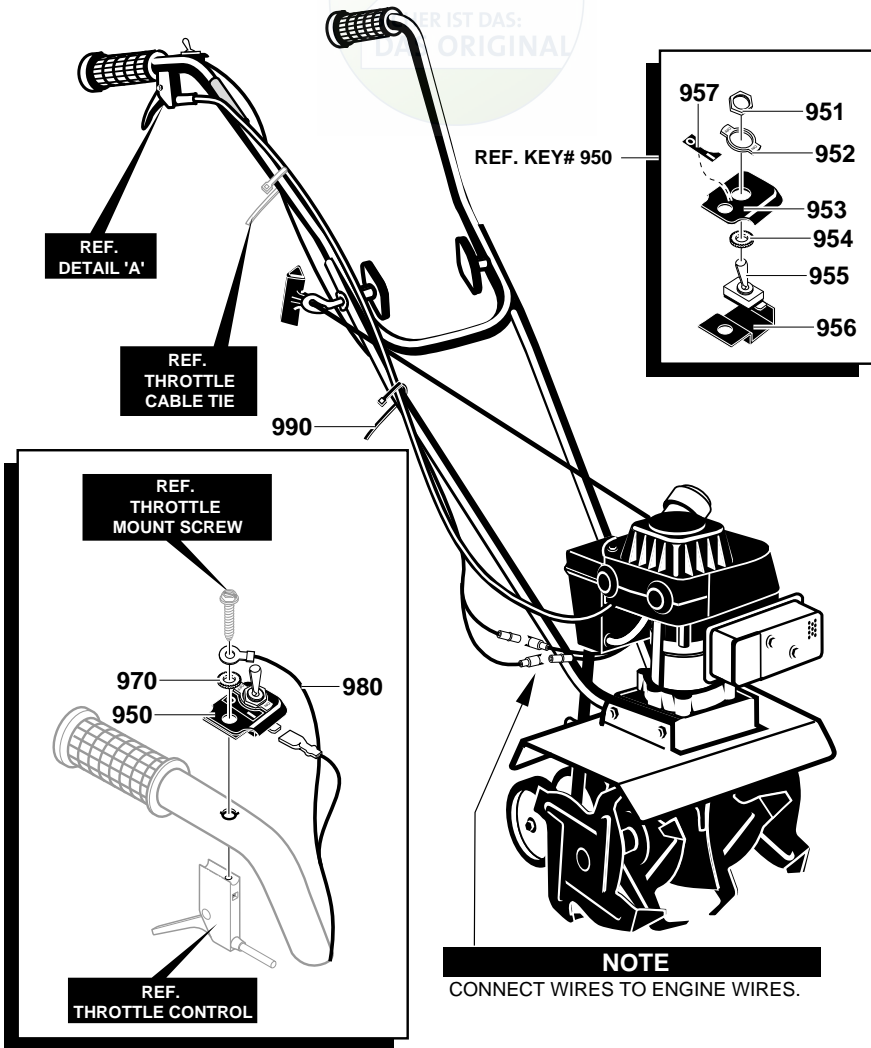
SICHERHEIT
DECALS
DAS ORIGINAL



REF. NO.	PART NO.	PART NAME
822	-	REFERENCE ONLY
823	601 00 12 96	DECAL, CAUTION
824	601 00 20 96	DECAL, HUSQVARNA TOP COVER
825	601 00 22 00	DECAL, RECOIL COVER HUSQV. EDGER
826	601 00 11 95	DECAL, HOLD RH GRIP
830	601 00 22 61	DECAL, HUSQV. CT-16 BLUE/SILVER

339945B

TILLER CULTIVATOR PARTS CT16 606-3614983 REMOTE STOP ASSEMBLY



DETAIL 'A'

341421A

REF. NO.	PART NO.	PART NAME
950	601 00 22 58	SWITCH ASSEMBLY
951	601 00 12 99	NUT, MTG 15/32
952	601 00 13 01	PLATE, INDICATOR
953	601 00 13 02	BRACKET, SWITCH
954	601 00 13 07	LOCKWASHER
955	601 00 13 04	SWITCH
956	601 00 13 03	BRACKET, SWITCH
957	601 00 22 59	DECAL, ON-OFF
970	601 00 18 68	WASHER, LOCK
980	601 00 22 60	KILL SWITCH ASSEMBLY
990	601 00 06 28	TIE CABLE

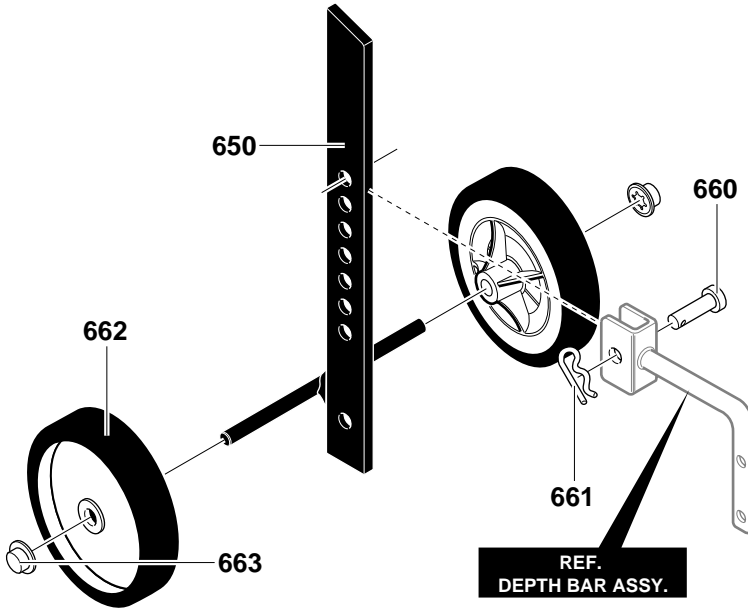
For Husqvarna Parts Call 606-678-9623 or

TILLAGE CULTIVATOR PARTS CT16

606-361-4983

WHEEL ASSEMBLY

SICHER IST DAS:
DAS ORIGINAL

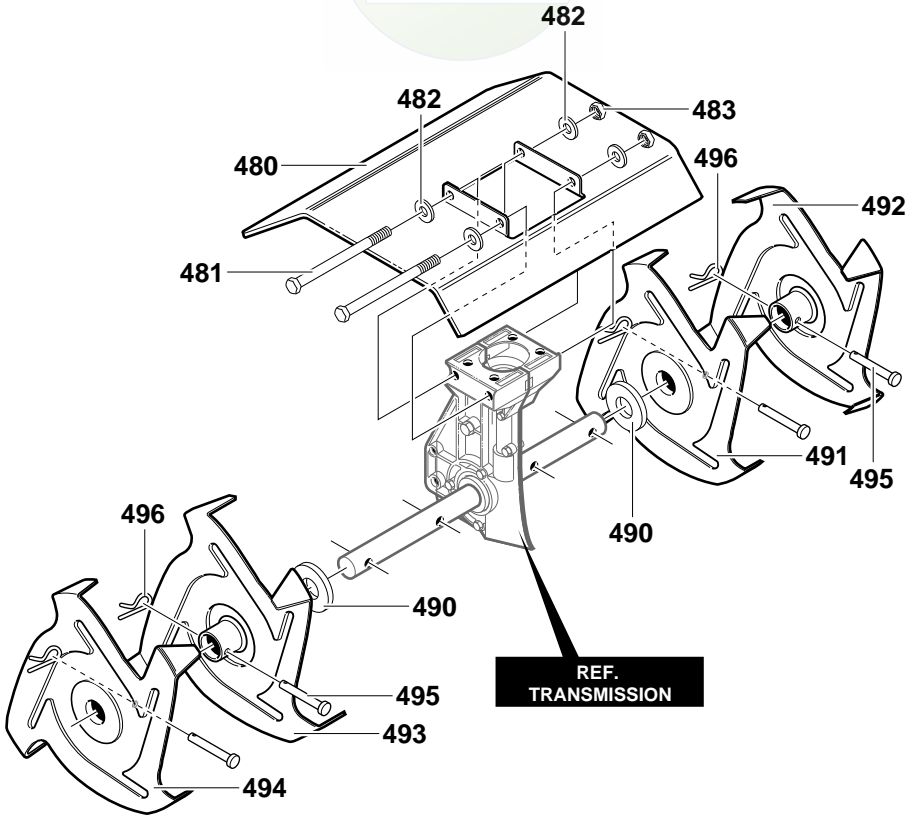


REF. NO.	PART NO.	PART NAME
650	601 00 12 88	WHEEL SUPT,ASSY
660	601 00 18 60	PIN, CLEVIS .321X.75BR
661	601 00 06 04	PIN, HAIR .53DIAX1.62LG
662	601 00 22 57	TIRE & RIM,SEPU 5.0 X 1.(696)
663	601 00 12 91	NUT, PUSH ON 3/8"

318852F

TINE SHIELD ASSEMBLY

SICHER IST DAS:
DAS ORIGINAL



REF. NO.	PART NO.	PART NAME
480	601 00 12 86	SHIELD, TINE
481	601 00 12 87	SCREW, 1/4-20X5.00 HHC
482	601 00 00 18	WASHER, FLAT .281X .63X.065
483	601 00 00 62	NUT, 1/4-20 REGHEXCTRLK
490	601 00 06 02	WASHER, FELT.68X1.46X.12 WOOL
491	601 00 07 45	TINE, ASSY INNER LH
492	601 00 07 43	TINE, ASSY OUTER LH
493	601 00 07 44	TINE, ASSY INNER RH
494	601 00 07 42	TINE, ASSY OUTER RH
495	601 00 05 99	PIN, CLEVIS .31X1.38
496	601 00 06 04	PIN, HAIR .53DIAX1.62LG

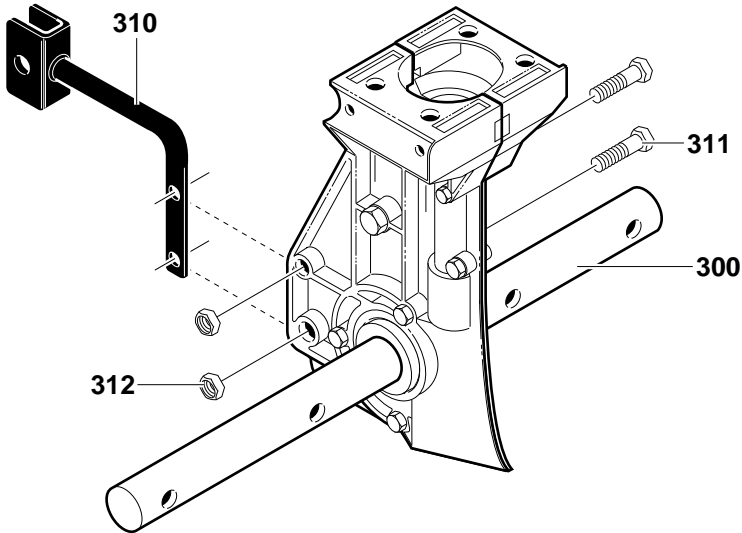
318849D

For Husqvarna Parts Call 606-678-9623 or

TILLAGE CULTIVATOR PARTS CT16

606-361-4983
TRANSMISSION REPAIR PARTS

SICHER IST DAS:
DAS ORIGINAL



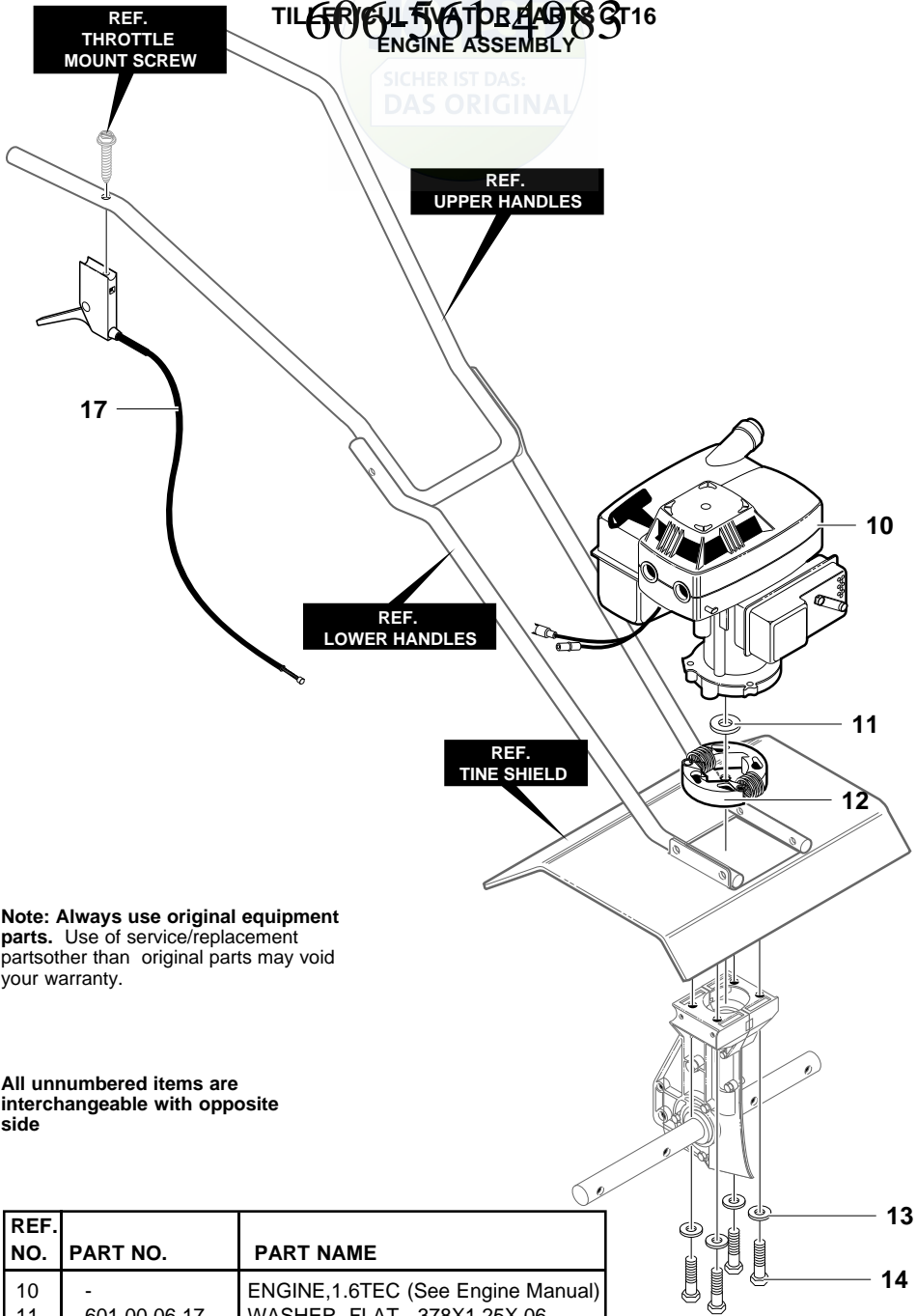
REF. NO.	PART NO.	PART NAME
300	601 00 20 05	TRANSMISSION ASSY. (See page 22 for breakdown)
310	601 00 22 56	BRKT,DEPTH FLAT/WIDE
311	601 00 00 69	SCREW, 1/4-20X1.25 HHC
312	601 00 00 62	NUT, 1/4-20 REGHEXCTRLK

318848C

For Husqvarna Parts Call 606-678-9623 or

TILTING CULTIVATOR PARTS KIT 16
606-561-4983
ENGINE ASSEMBLY

SICHER IST DAS:
DAS ORIGINAL



Note: Always use original equipment parts. Use of service/replacement parts other than original parts may void your warranty.

All unnumbered items are interchangeable with opposite side

REF. NO.	PART NO.	PART NAME
10	-	ENGINE, 1.6TEC (See Engine Manual)
11	601 00 06 17	WASHER, FLAT .378X1.25X.06
12	601 00 19 50	ROTOR (SMALLER DIA.)
13	601 00 00 14	WASHER, REGSPTLK.263X.49X.07
14	601 00 12 83	SCREW, 1/4-20X1.75 HHC
17	601 00 12 84	CABLE, THROTTLE, CULTIVATOR
	601 00 22 55	MANUAL, OWNERS

323392C