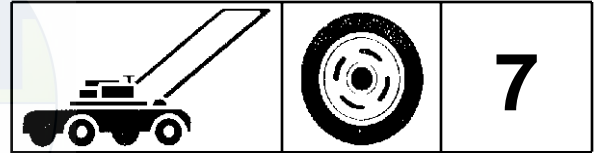
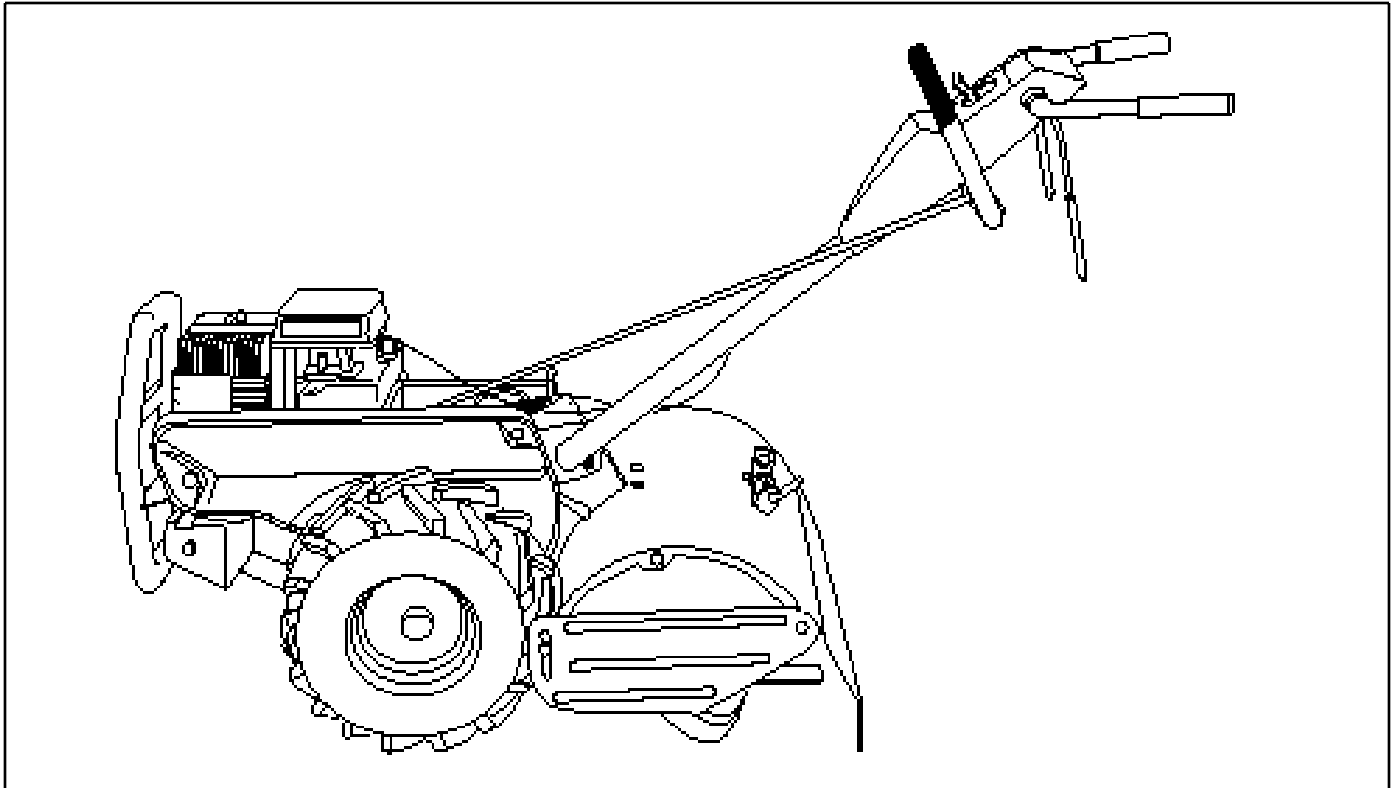


For Husqvarna Parts Call 606-678-9623 or 606-561-4983

 **Husqvarna**



CRTH 550

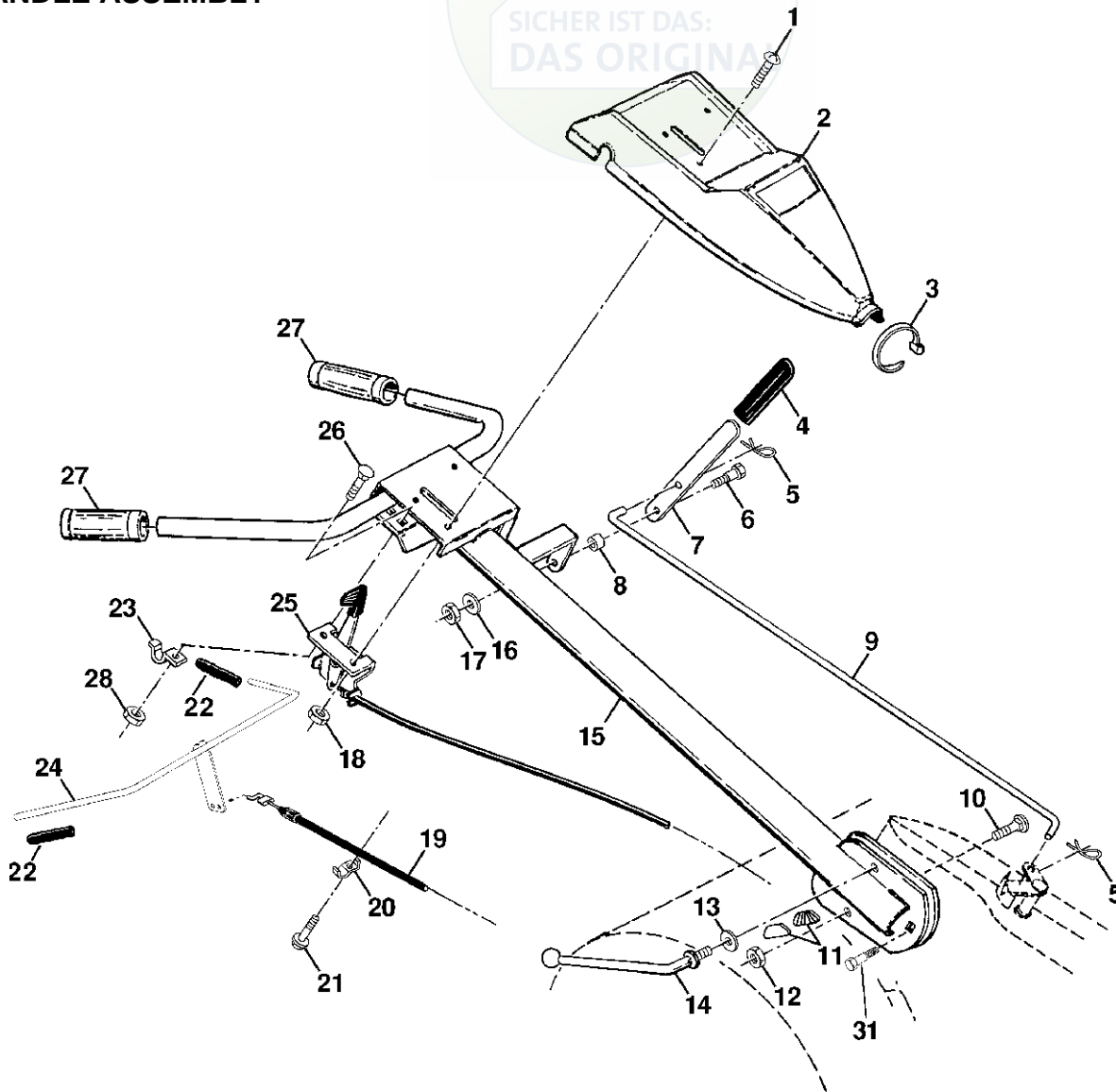


3.1999
PARTS LISTING

954140064B

TILLER - MODEL NO. 550CRTH (954140064B)

HANDLE ASSEMBLY



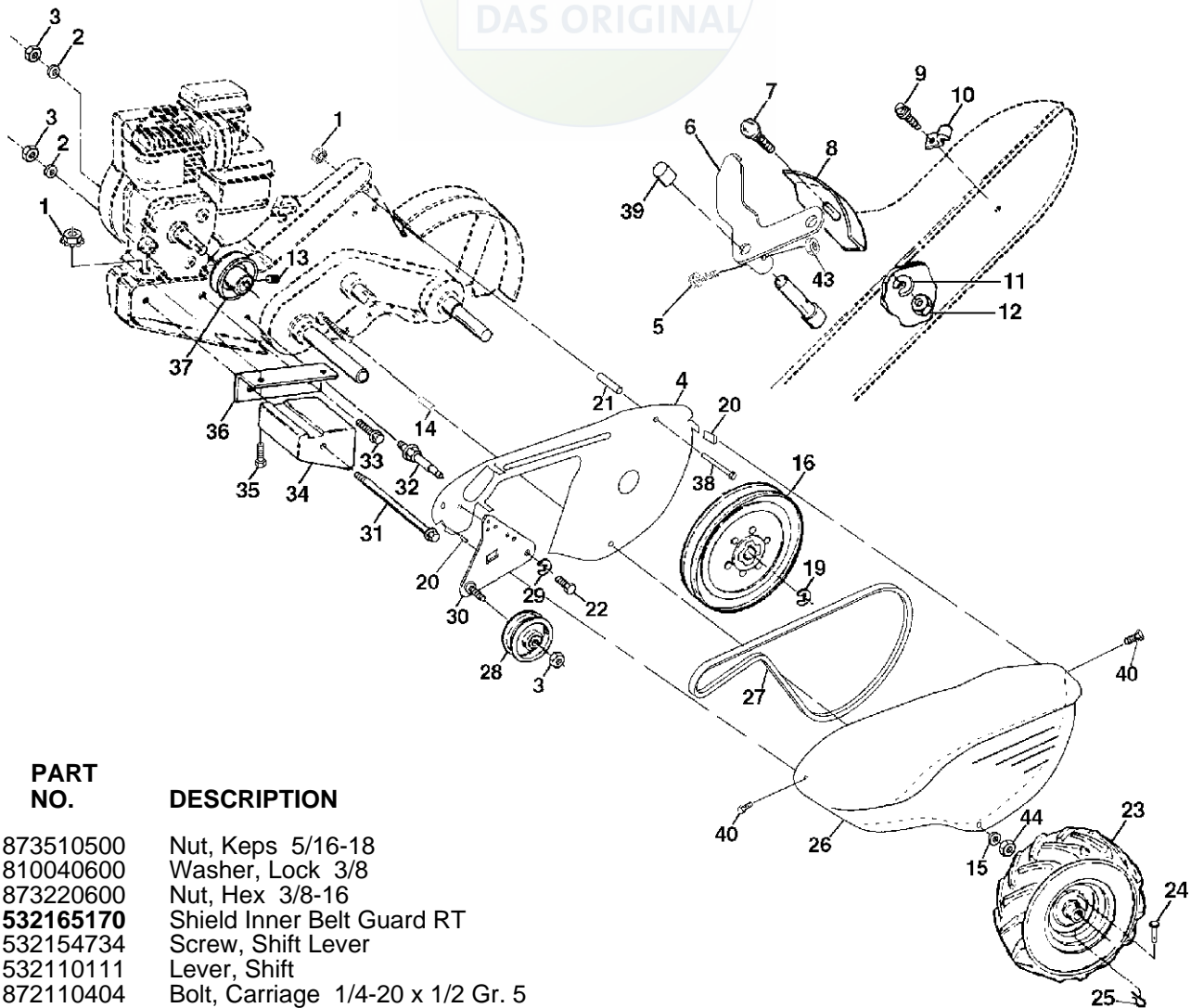
| KEY NO. | PART NO. | DESCRIPTION |
|---------|------------------|---------------------------------|
| 1 | 871191008 | Screw, Phd. #10-24 UNC |
| 2 | 532126956 | Panel, Control |
| 3 | 532104164 | Tie, Cable |
| 4 | 532124797 | Grip, Handle |
| 5 | 532124788 | Clip, Hairpin |
| 6 | 532081328 | Bolt, Shoulder |
| 7 | 532109335 | Handle, Shift |
| 8 | 532109313 | Grommet, Rubber |
| 9 | 532109337 | Rod, Shift |
| 10 | 872110608 | Bolt, Carriage 3/8-16 x 1 Gr. 5 |
| 11 | 532109229 | Lock, Handle |
| 12 | 873930600 | Nut, Centerlock 3/8-16 |
| 13 | 819131611 | Washer 13/32 x 1 x 11 Ga. |
| 14 | 532109228 | Lever, Lock, Handle |
| 15 | 532167630 | Handle |
| 16 | 810040400 | Washer, Lock 1/4 |

| KEY NO. | PART NO. | DESCRIPTION |
|---------|------------------|--------------------------------------------|
| 17 | 873220400 | Nut, Hex 1/4-20 |
| 18 | 873731000 | Nut, Keps #10-24 UNC |
| 19 | 532159231 | Cable, Clutch |
| 20 | 532009484 | Clip |
| 21 | 532086777 | Screw, Hex Washer Hd. Slotted #10-24 x 1/2 |
| 22 | 532102604 | Grip, Bar, Control |
| 23 | 532102744 | Clamp, Bar, Control |
| 24 | 532159228 | Bar Assembly, Control |
| 25 | 532127012 | Control, Throttle |
| 26 | 872140404 | Bolt, Carriage 1/4-20 UNC x 1/2 |
| 27 | 532009266 | Grip, Handle |
| 28 | 873510400 | Nut, keps 1/4-20 |
| 31 | 532150696 | Bolt Pivot |

NOTE: All component dimensions given in U.S. inches.
 1 inch = 25.4 mm

TILLER - MODEL NO. 550CRTH (954140064B)

MAINFRAME, LEFT SIDE



| KEY NO. | PART NO. | DESCRIPTION |
|---------|------------------|-----------------------------------------------|
| 1 | 873510500 | Nut, Keps 5/16-18 |
| 2 | 810040600 | Washer, Lock 3/8 |
| 3 | 873220600 | Nut, Hex 3/8-16 |
| 4 | 532165170 | Shield Inner Belt Guard RT |
| 5 | 532154734 | Screw, Shift Lever |
| 6 | 532110111 | Lever, Shift |
| 7 | 872110404 | Bolt, Carriage 1/4-20 x 1/2 Gr. 5 |
| 8 | 532008700 | Plate, Shift Indicator |
| 9 | 532086777 | Screw, Hex, Washer Head, Slotted #10-24 x 1/2 |
| 10 | 532009484 | Clip |
| 11 | 810040400 | Washer, Lock 1/4 |
| 12 | 873220400 | Nut, Hex 1/4-20 |
| 13 | 823230506 | Screw, Set, Hex 5/16-18 x 3/8 |
| 14 | 532110652 | Spacer, Split 0.327 x 0.42 x 2.09 |
| 15 | 819111116 | Washer 11/32 x 11/16 x 16 Ga. |
| 16 | 532145102 | Sheave, Transmission |
| 19 | 812000028 | Retainer, Ring |
| 20 | 532165504 | Nut J Clip |
| 21 | 532156117 | Spacer, Split 0.327 x 0.42 x 1.220 |
| 22 | 874770508 | Bolt Fin Hex 5/16-24 Unf x 1/2 |
| 23 | 532005015 | Tire |
| | 532124366 | Rim |
| | 532124718 | Tire Valve |
| 24 | 532126875 | Rivet, Drilled |
| 25 | 532124788 | Clip, Hairpin |
| 26 | 532166792 | Guard, Belt |
| 27 | 532132801 | Belt, V |
| 28 | 532104679 | Pulley, Idler |

| KEY NO. | PART NO. | DESCRIPTION |
|---------|------------------|-------------------------------|
| 29 | 812000032 | Ring, Klip |
| 30 | 532159229 | Bracket, Idler |
| 31 | 532102384 | Bolt, Hex 5/16-16 x 12 |
| 32 | 532102141 | Shaft, Idler Arm |
| 33 | 874760616 | Bolt, Hex 3/8-16 x 1 |
| 34 | 532102383 | Counterweight, L. H. |
| 35 | 874760524 | Bolt, Hex 5/16-18 x 1 1/2 |
| 36 | 532102331 | Bracket, Reinforcement, L. H. |
| 37 | 532130812 | Sheave, Engine |
| 38 | 874760544 | Bolt Fin Hex 5/16-18 x 2-3/4 |
| 39 | 532140062 | Cap, Plunger Blk |
| 40 | 532165503 | Screw Hex Wsh Hd #8-18 x 1/2 |
| 43 | 532069180 | Nut, Lock #10-24 |
| 44 | 873800500 | Nut, Lock 5/16-18 |

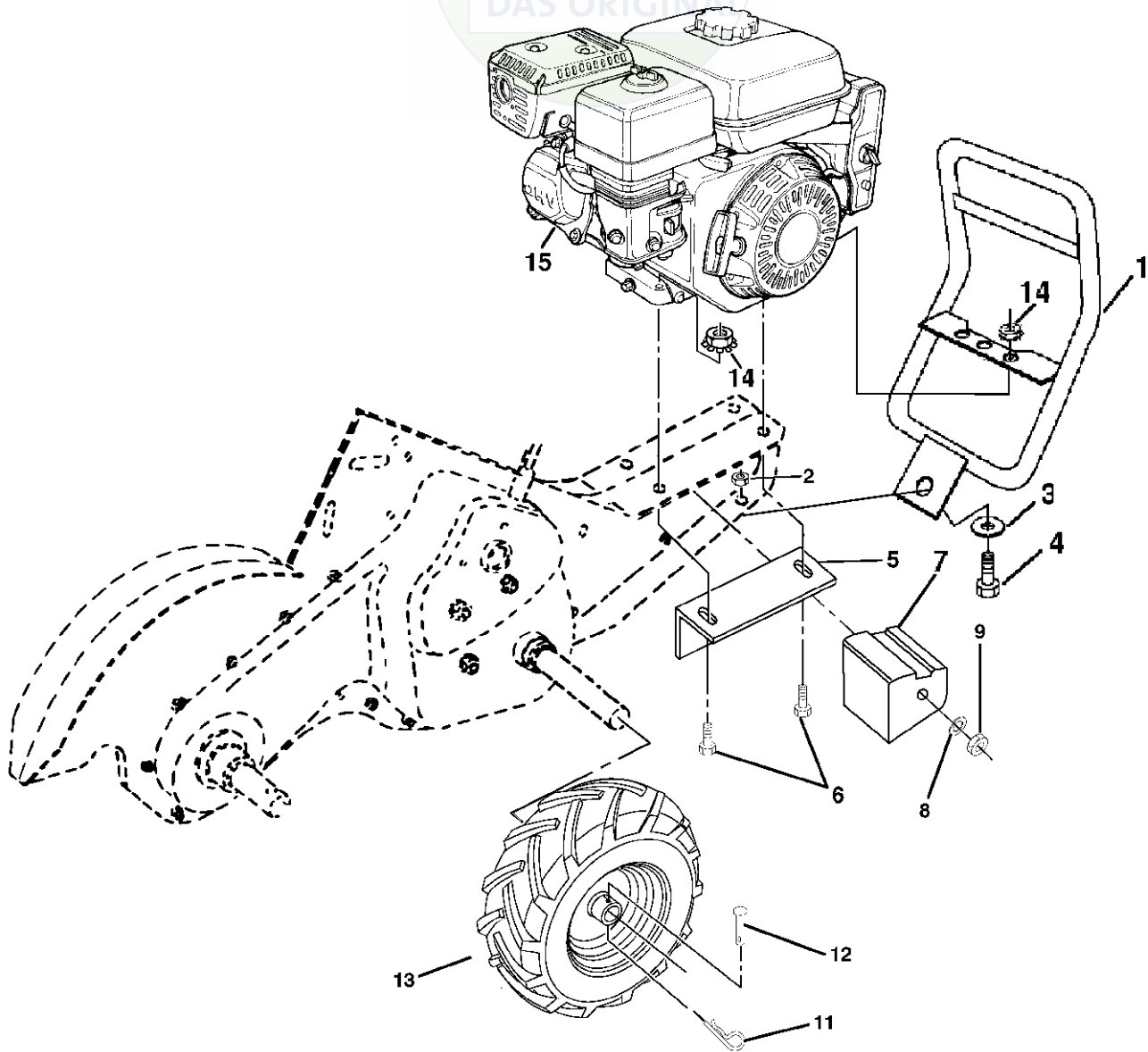
NOTE: All component dimensions given in U.S. inches.
 1 inch = 25.4 mm

For Husqvarna Parts Call 606-678-9623 or 606-561-4983

REPAIR PARTS

TILLER - MODEL NUMBER 550CRTH (954140064B)

MAINFRAME, RIGHT SIDE



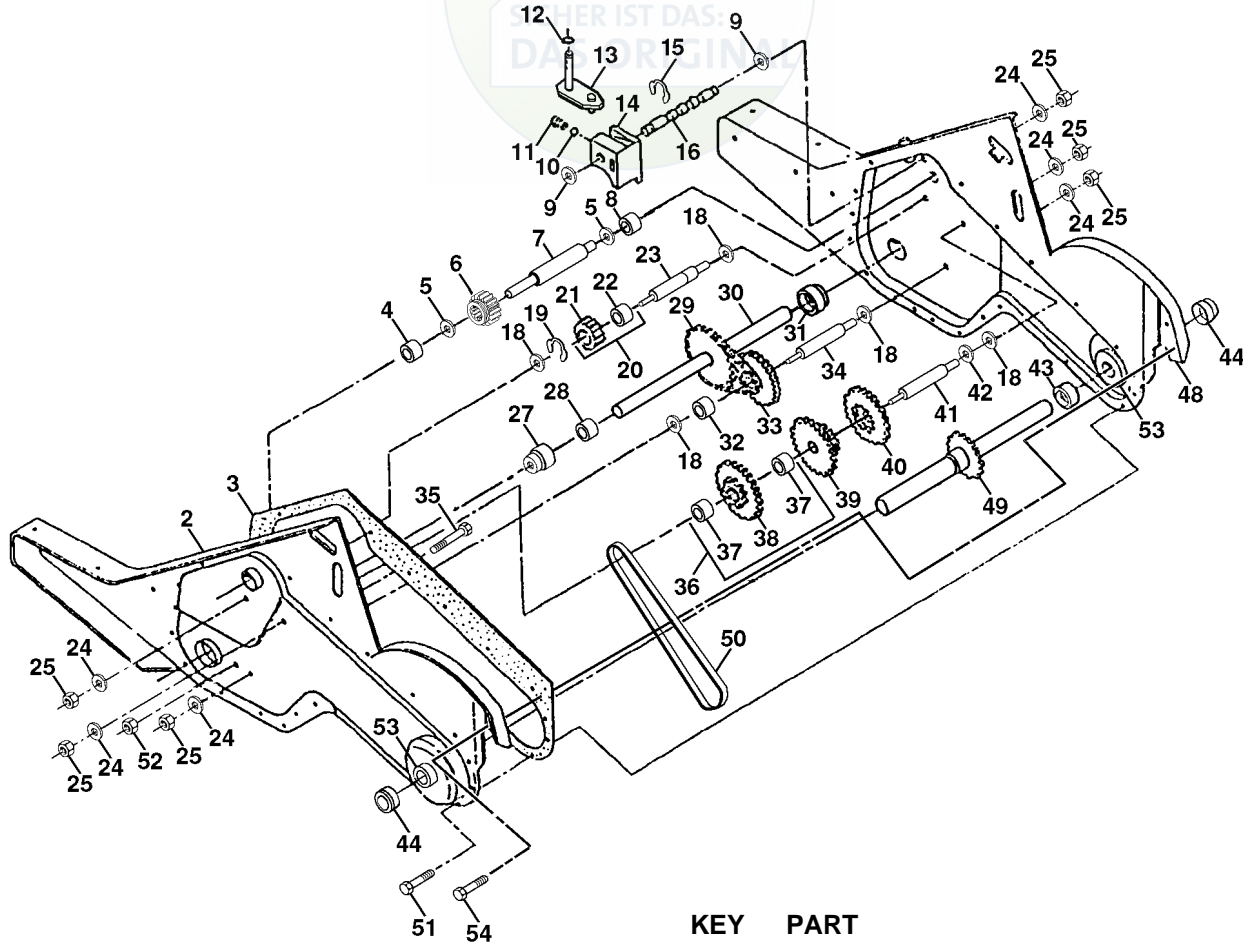
| KEY NO. | PART NO. | DESCRIPTION |
|---------|-----------|-------------------------------|
| 1 | 532166532 | Bumper |
| 2 | 873970500 | Nut Lock Hex Flange |
| 3 | 819111116 | Washer 11/32 x 11/16 x 16 Ga. |
| 4 | 874760512 | Bolt Hex Hd 5/16-18 x 3/4 |
| 5 | 532102332 | Bracket, Reinforcement |
| 6 | 874760524 | Bolt, Hex 5/16-18 x 1-1/2 |
| 7 | 532102173 | Counter Weight, R.H. |
| 8 | 810040600 | Washer, Lock 3/8 |
| 9 | 873220600 | Nut, Hex 3/8-16 |

| KEY NO. | PART NO. | DESCRIPTION |
|---------|-----------|------------------------------------------------------------------------|
| 11 | 532124788 | Clip, Hairpin |
| 12 | 532126875 | Rivet, Drilled |
| 13 | 532005015 | Tire |
| | 532124366 | Rim |
| | 532124718 | Tire Valv |
| 14 | 873510500 | * Nut, Keps 5/16-18 |
| 15 | ----- | Engine, Honda Model GX160 K1QX2 (Order parts from engine manufacturer) |

NOTE: All component dimensions given in U.S.inches.
1 inch = 25.4 mm

TILLER - MODEL NO. 550CRTH (954140064B)

TRANSMISSION



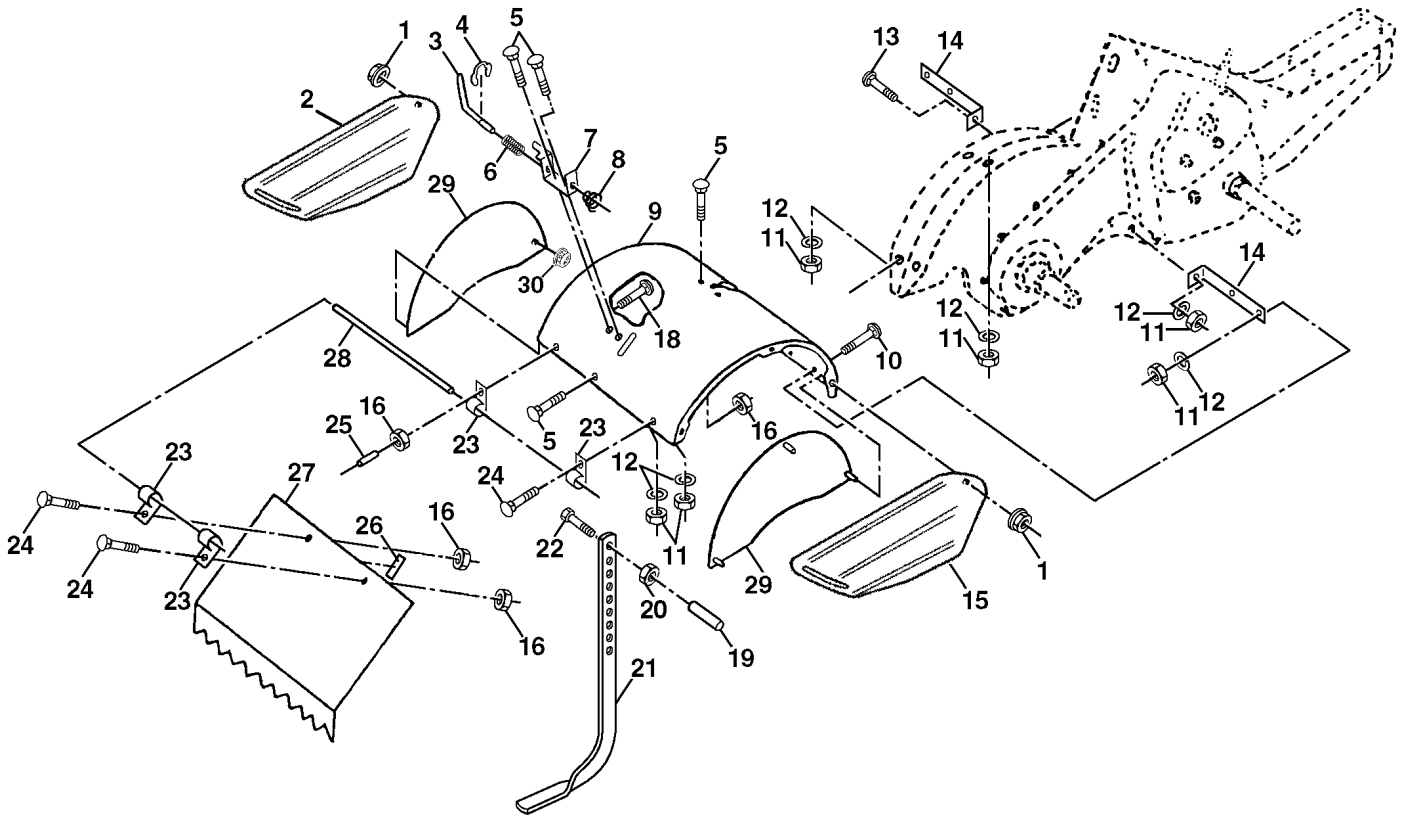
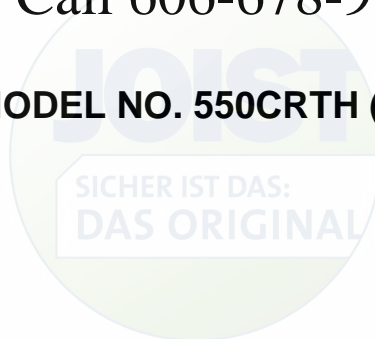
| KEY NO. | PART NO. | DESCRIPTION |
|---------|------------------|-------------------------------------------------------------|
| 1 | 532165728 | Transmission Assembly (Includes Key Nos. 2-53) |
| 2 | 532165729 | Gearcase, L.H. w/Bearing (Includes Key No. 4) |
| 3 | 532161963 | Gasket, Gearcase |
| 4 | 532005020 | Bearing, Needle |
| 5 | 532001370 | Washer, Thrust 5/8 x 1.10 x 1/32 |
| 6 | 532137335 | Pinion, Input |
| 7 | 532145101 | Shaft, Input |
| 8 | 532124792 | Bearing, Needle |
| 9 | 532154467 | Washer, Seal |
| 10 | 532124697 | Ball, Steel |
| 11 | 532100371 | Spring, Shift, Fork |
| 12 | 532106160 | O-Ring |
| 13 | 532142145 | Arm, Shift |
| 14 | 532008353 | Fork, Shift |
| 15 | 812000039 | Ring, Klip |
| 16 | 532154466 | Shaft, Shift |
| 18 | 532004358 | Washer |
| 19 | 812000040 | Ring, Klip |
| 20 | 532102114 | Gear, Assembly, Reverse Idler (Includes Key Nos. 21 and 22) |
| 21 | 532102115 | Gear, Reverse Idler |
| 22 | 532006803 | Bearing, Needle |
| 23 | 532102111 | Shaft, Reverse Idler |
| 24 | 810040700 | Washer, Lock 7/16 |
| 25 | 873610700 | Nut, Hex 7/16-20 |

| KEY NO. | PART NO. | DESCRIPTION |
|---------|------------------|-----------------------------------------------------------|
| 27 | 532143009 | Bearing, Shaft, Ground Drive L.H. |
| 28 | 532106390 | Spacer 0.765 x 1.125 x 1.23 |
| 29 | 532102134 | Chain #35-50 Pitch |
| 30 | 532150737 | Ground Shaft Assembly |
| 31 | 532143008 | Bearing, Shaft, Ground Drive R.H. |
| 32 | 532106388 | Spacer 0.70 x 1.00 x 1.150 |
| 33 | 532102121 | Sprocket and Gear Assembly |
| 34 | 532102112 | Shaft, Reduction (2nd) |
| 35 | 532102101 | Screw, Whiz, Lock 5/16-18 x 3-1/2 |
| 36 | 532154355 | Sprocket Assembly w/Bearing (Includes Key Nos. 37 and 38) |
| 37 | 532124791 | Bearing, Needle |
| 38 | 532154356 | Sprocket, Tine |
| 39 | 532105345 | Gear, Cluster, Red 1st & 2nd |
| 40 | 532105346 | Gear, Reverse |
| 41 | 532008358 | Shaft, Reduction (1st) |
| 42 | 532004220 | Washer, Thrust |
| 43 | 532106146 | Spacer 1.01 x 1.75 x 0.760 |
| 44 | 532155236 | Seal, Asm. Oil |
| 48 | 532165732 | Gearcase, R.H. w/Bearing (Includes Key No. 8) |
| 49 | 532132688 | Shaft, Tine |
| 50 | 532106147 | Chain, Roller #50-50 Pitch |
| 51 | 817720408 | Screw 1/4-20 x 1/2 |
| 52 | 873220500 | Nut, Hex 5/16-18 |
| 53 | 532165140 | Kit, Bearing |
| 54 | 817720412 | Screw Thd Cut 1/4-20 x 3/4 |
| -- | 532006066 | Grease, Plastilube #1 |

NOTE: All component dimensions given in U.S. inches.
 1 inch = 25.4 mm

TILLER - MODEL NO. 550CRTH (954140064B)

TINE SHIELD



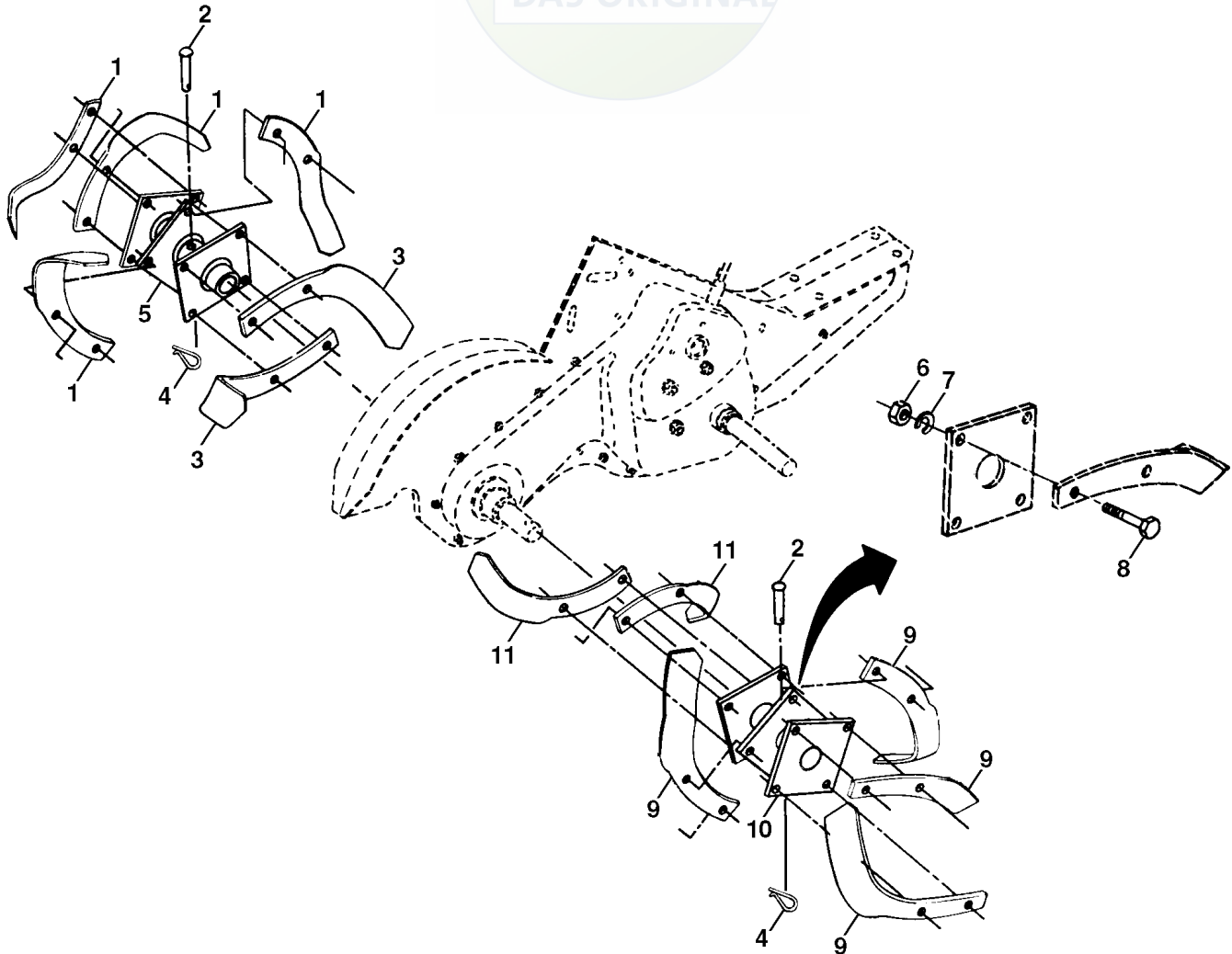
| KEY NO. | PART NO. | DESCRIPTION |
|---------|-----------|------------------------------------|
| 1 | 898000129 | Nut, Flange 5/16-18 |
| 2 | 532162952 | Shield, Side, Outer L. H. |
| 3 | 532008393 | Pin, Stake, Depth |
| 4 | 812000036 | Ring, Klip |
| 5 | 872140506 | Bolt, Carriage 5/16-18 x 3/4 Gr. 5 |
| 6 | 532008394 | Spring |
| 7 | 532008392 | Bracket, Latch |
| 8 | 532109230 | Spring, Depth Stake |
| 9 | 532142292 | Shield, Tine |
| 10 | 872140508 | Bolt, Carriage 5/16-18 UNC x 1 |
| 11 | 873220500 | Nut, Hex 5/16-18 |
| 12 | 810040500 | Washer, Lock 5/16 |
| 13 | 872110510 | Bolt, Carriage 5/16-18 x 1-1/4 |
| 14 | 532124311 | Bracket, Shield Tine |
| 15 | 532162953 | Shield, Side, Outer R.H. |
| 16 | 873510400 | Nut, Keps 1/4-20 |

| KEY NO. | PART NO. | DESCRIPTION |
|---------|-----------|-------------------------------------|
| 18 | 872040410 | Bolt, Carriage 1/4-20 x 1-1/4 Gr. 5 |
| 19 | 532102701 | Grip |
| 20 | 873220600 | Nut, Hex 3/8-16 |
| 21 | 532102156 | Stake, Depth |
| 22 | 874930632 | Bolt, Hex 3/8-16 x 2 |
| 23 | 532004440 | Hinge |
| 24 | 872140404 | Bolt, Carriage 1/4-20 x 1/2 Gr. 5 |
| 25 | 532124717 | Cap, Vinyl |
| 26 | 532109227 | Pad, Idler |
| 27 | 532125016 | Shield, Leveling |
| 28 | 532120588 | Pin, Hinge |
| 29 | 532142293 | Shield, Side |
| 30 | 873970500 | Locknut, Flange 5/16-18 |

NOTE: All component dimensions given in U.S. inches.
 1 inch = 25.4 mm

TILLER - MODEL NO. 550CRTH (954140064B)

TINE ASSEMBLY



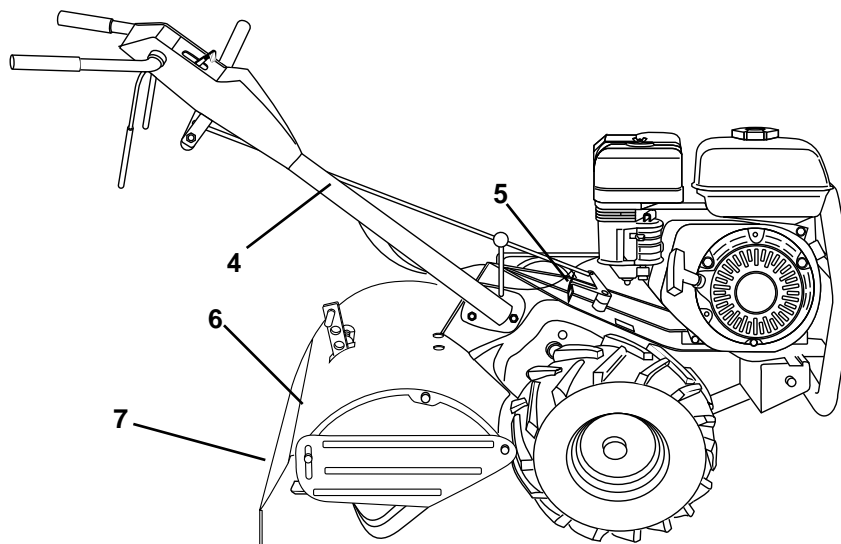
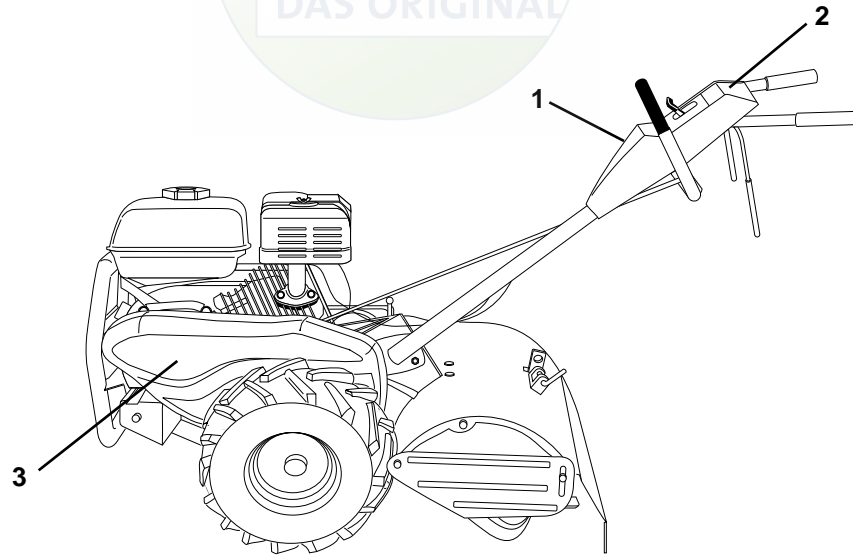
| KEY NO. | PART NO. | DESCRIPTION |
|---------|------------------|-------------------------------|
| 1 | 532004459 | Tine, Outer, L.H. |
| 2 | 532132673 | Clevis Pin |
| 3 | 532006554 | Tine, Inner, L.H. |
| 4 | 532124660 | Retainer, Spring Zinc |
| 5 | 532132727 | Assembly, Hub and Plate, L.H. |
| 6 | 873610600 | Nut, Hex 3/8-24 |
| 7 | 810040600 | Washer, Lock 3/8 |

| KEY NO. | PART NO. | DESCRIPTION |
|---------|-----------|-------------------------------|
| 8 | 874610616 | Bolt, Hex 3/8-24 x 1 |
| 9 | 532004460 | Tine, Outer, R.H. |
| 10 | 532132728 | Assembly, Hub and Plate, R.H. |
| 11 | 532006555 | Tine, Inner, R.H. |

NOTE: All component dimensions given in U.S. inches.
 1 inch = 25.4 mm

TILLER - MODEL NO. 550CRTH (954140064B)

DECALS



| KEY NO. | PART NO. | DESCRIPTION |
|---------|------------------|--------------------------------|
| 1 | 532155449 | Decal, Logo |
| 2 | 532163385 | Decal, Logo |
| 3 | 532166405 | Decal, Logo |
| 4 | 532110614 | Decal, Hand Placement |
| 5 | 532102180 | Decal, Shift Indicator |
| 6 | 532162384 | Decal, Warning Till |
| 7 | 532120076 | Decal, Warning, Rotating Tines |
| -- | 532166608 | Manual, Owner's (English) |
| -- | 532166609 | Manual, Owner's (French) |