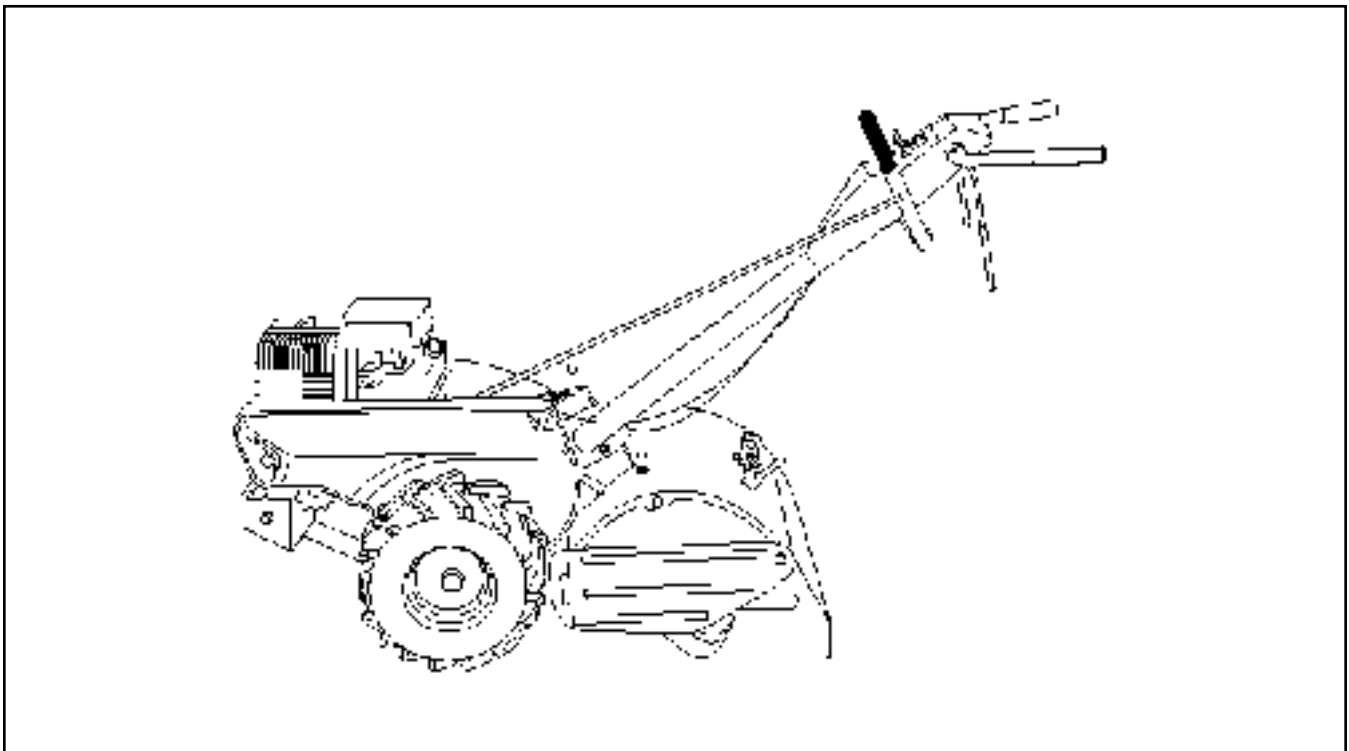




Illustrated Parts
List

1995-03
I9502001

CRT 35

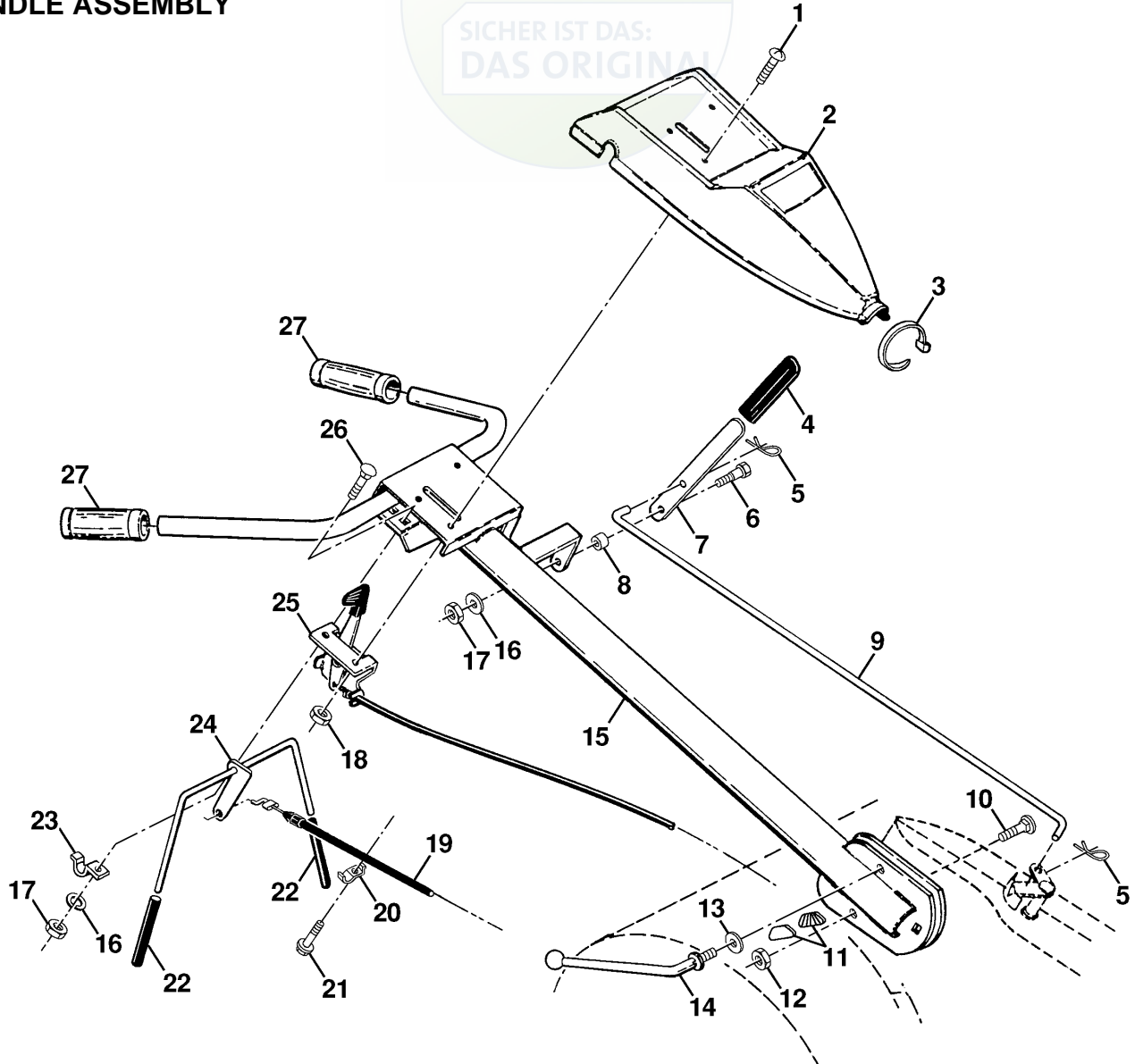


Tiller

954001252B

TILLER - - MODEL NO. CRT35 (954001252B)

HANDLE ASSEMBLY



KEY NO.	PART NO.	DESCRIPTION	KEY NO.	PART NO.	DESCRIPTION
1	871191008	Screw, PHD. #10-24	17	873220400	Nut, Hex 1/4-20
2	532126956	Panel, Control	18	873731000	Nut, Keps #10-24 UNC
3	532104164	Tie, Cable	19	532147668	Cable, Clutch
4	532124797	Grip, Handle	20	532009484	Clip
5	532124788	Clip, Hairpin	21	532086777	Screw, Hex Washer Hd. Slotted #10-24 x 1/2
6	532081328	Bolt, Shoulder	22	532102604	Grip, Bar, Control
7	532109335	Handle, Shift	23	532102744	Clamp, Bar, Control
8	532109313	Grommet, Rubber	24	532105216	Bar Assembly, Control
9	532109337	Rod, Shift	25	532127012	Control, Throttle
10	872110608	Bolt, Carriage 3/8-16 x 1 Gr. 5	26	872140404	Bolt, Carriage 1/4-20 UNC x 1/2
11	532109229	Lock, Handle	27	532140528	Grip, Handle
12	873930600	Nut, Centerlock 3/8-16			
13	819131611	Washer 13/32 x 1 x 11 Ga.			
14	532109228	Lever, Lock, Handle			
15	532125011	Handle			
16	810040400	Washer, Lock 1/4			

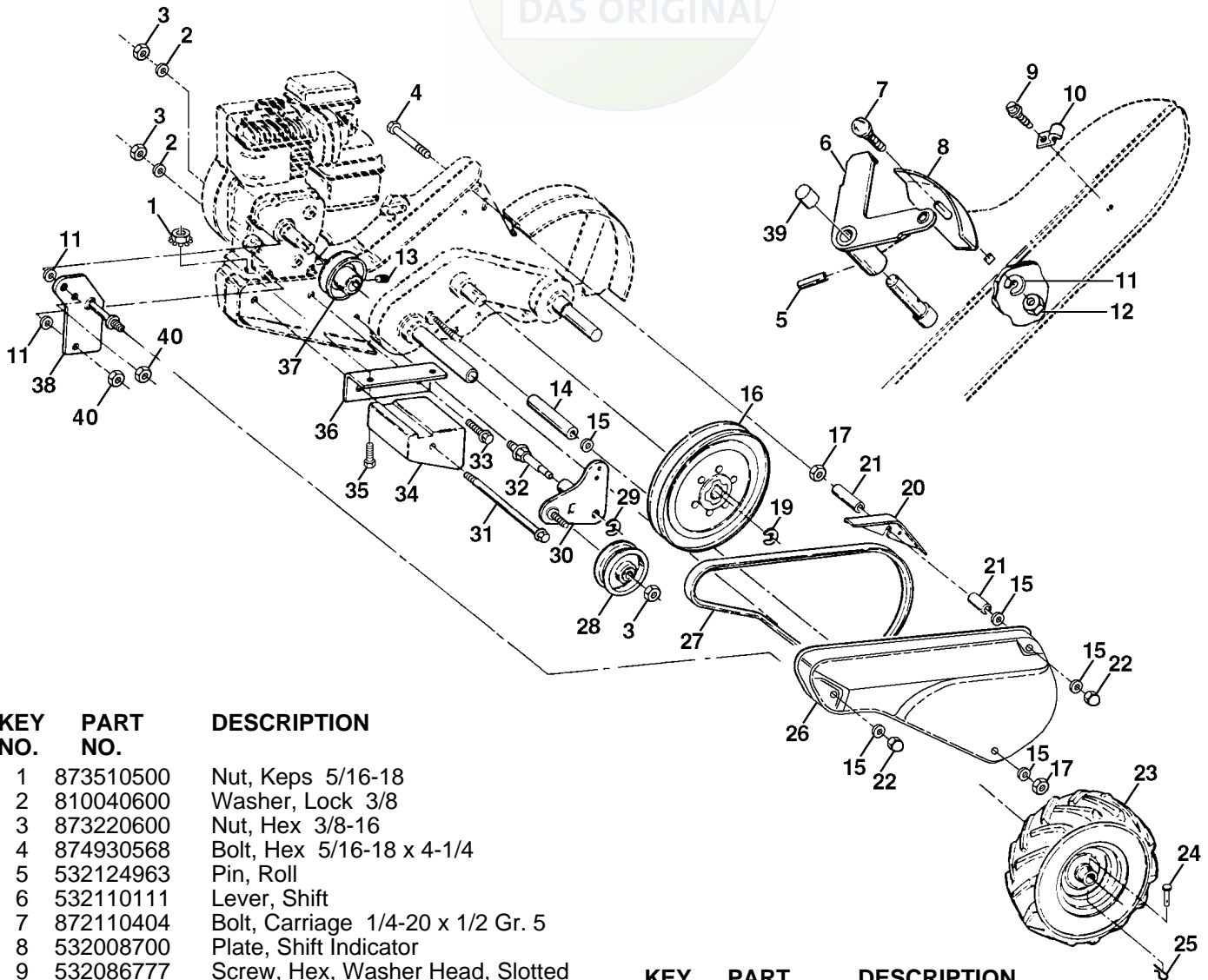
NOTE: All component dimensions given in U.S. inches.
 1 inch = 25.4 mm

For Husqvarna Parts Call 606-678-9623 or 606-561-4983

REPAIR PARTS

TILLER - - MODEL NO. CRT35 (954001252B)

MAINFRAME, LEFT SIDE



KEY NO.	PART NO.	DESCRIPTION
1	873510500	Nut, Keps 5/16-18
2	810040600	Washer, Lock 3/8
3	873220600	Nut, Hex 3/8-16
4	874930568	Bolt, Hex 5/16-18 x 4-1/4
5	532124963	Pin, Roll
6	532110111	Lever, Shift
7	872110404	Bolt, Carriage 1/4-20 x 1/2 Gr. 5
8	532008700	Plate, Shift Indicator
9	532086777	Screw, Hex, Washer Head, Slotted #10-24 x 1/2
10	532009484	Clip
11	810040400	Washer, Lock 1/4
12	873220400	Nut, Hex 1/4-20
13	823230506	Screw, Set, Hex 5/16-18 x 3/8
14	532120938	Spacer, Split 0.327 x 0.42 x 2.68
15	819111116	Washer 11/32 x 11/16 x 16 Ga.
16	532145102	Sheave, Transmission
17	873220500	Nut, Hex 5/16-18
19	812000028	Ring, Retainer
20	532110653	Guard, Pinch Point
21	532145216	Spacer, Split 0.327 x 0.42 x 1.688
22	532104214	Nut, Cap 5/16-18
23	532102190	Tire
	532124258	Rim
	532124718	Tire Valve
24	532126875	Rivet, Drilled
25	532124788	Clip, Hairpin
26	532125339	Guard, Belt

KEY NO.	PART NO.	DESCRIPTION
27	532132672	Belt, V
28	532104679	Pulley, Idler
29	812000032	Ring, Klip
30	532105611	Bracket, Idler
31	532102384	Bolt, Hex 5/16-16 x 12
32	532102141	Shaft, Idler Arm
33	874760616	Bolt, Hex 3/8-16 x 1
34	532102383	Counterweight, L. H.
35	874760524	Bolt, Hex 5/16-18 x 1-1/2
36	532102331	Bracket, Reinforcement, L. H.
37	532130816	Sheave, Engine
38	532131558	Bracket, Guard Belt
39	532140062	Cap, Plunger
40	873800400	Nut, Lock w/insert 1/4-20

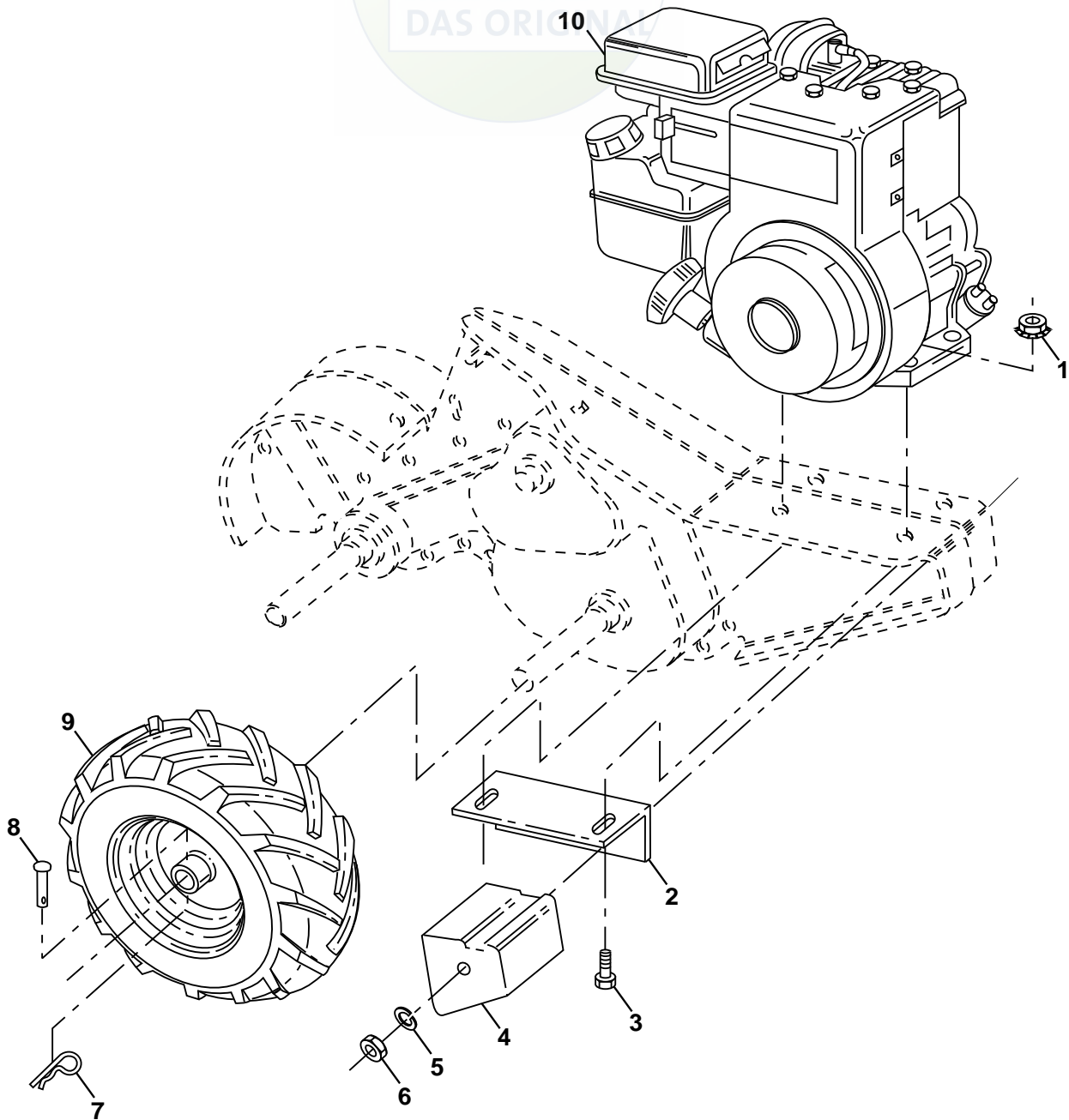
NOTE: All component dimensions given in U.S. inches.
1 inch = 25.4 mm

For Husqvarna Parts Call 606-678-9623 or 606-561-4983

REPAIR PARTS

TILLER -- MODEL NO. CRT35 (954001252B)

MAINFRAME, RIGHT SIDE



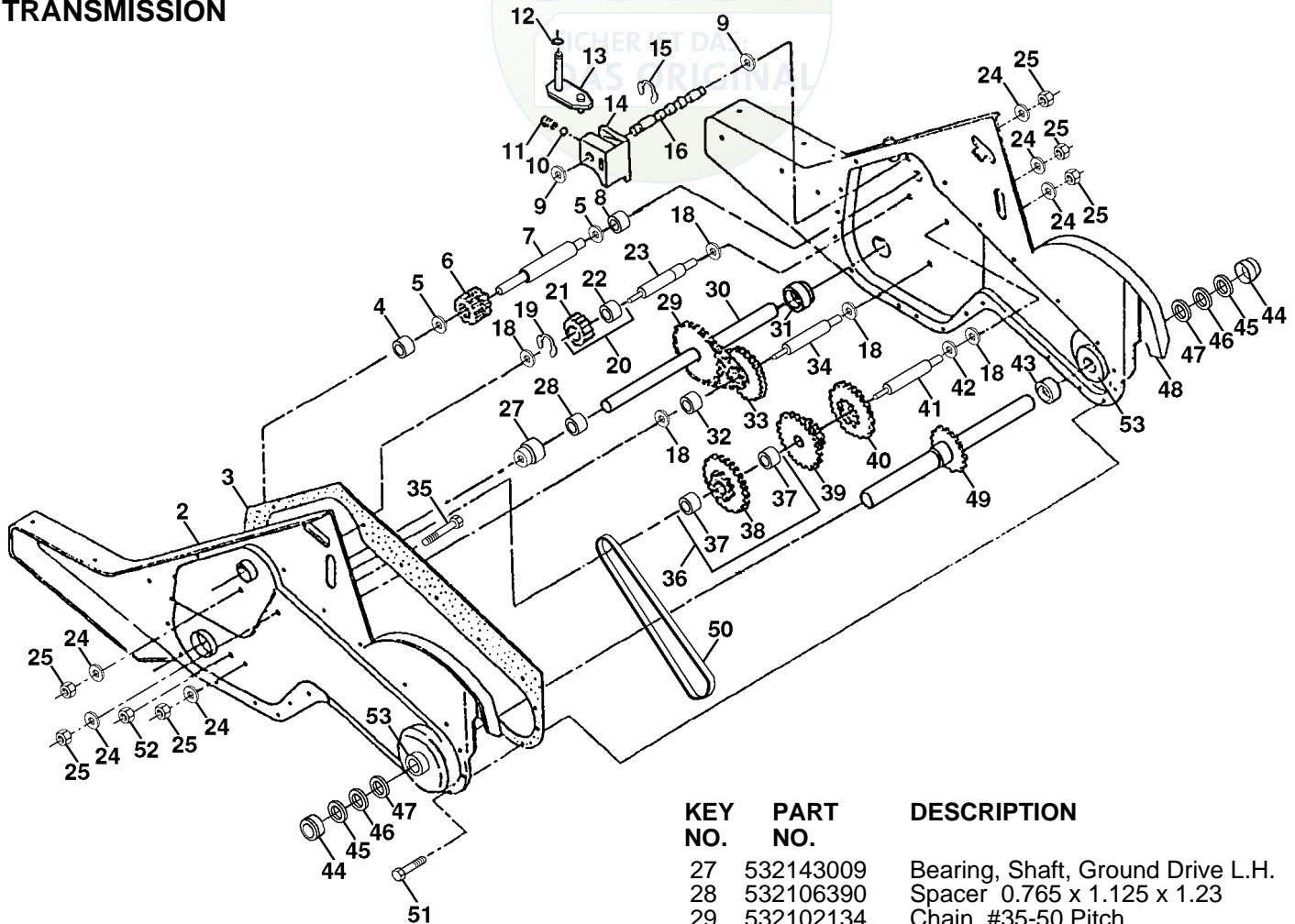
KEY NO.	PART NO.	DESCRIPTION
1	873510500	Nut, Keps 5/16-18
2	532102332	Bracket, Reinforcement
3	874760524	Bolt, Hex 5/16-18 x 1-1/2
4	532102173	Counter Weight, R.H.
5	810040600	Washer, Lock 3/8
6	873220600	Nut, Hex 3/8-16
7	532124788	Clip, Hairpin
8	532126875	Rivet, Drilled

KEY NO.	PART NO.	DESCRIPTION
9	532102190	Tire
	532124258	Rim
	532124718	Tire Valve
10	-----	Engine, Briggs & Stratton Model No. 91202

NOTE: All component dimensions given in U.S.inches.
1 inch = 25.4 mm

TILLER - - MODEL NO. CRT35 (954001252B)

TRANSMISSION



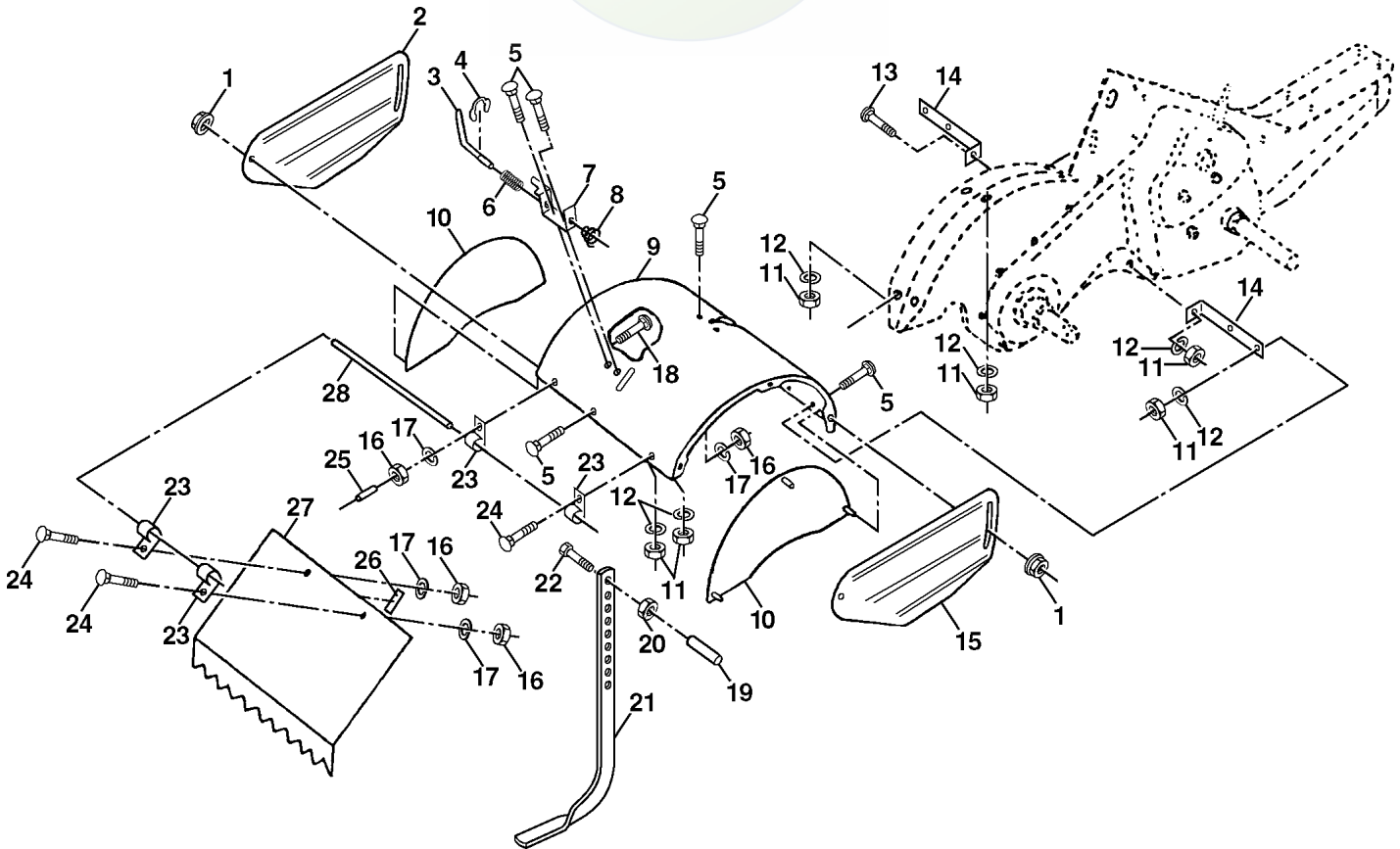
KEY NO.	PART NO.	DESCRIPTION
1	532145840	Transmission Assembly (Includes Key Nos. 2-53)
2	532139544	Gearcase, L.H. w/Bearing (Includes Key No. 4)
3	532106211	Gasket, Gearcase
4	532005020	Bearing, Needle
5	532001370	Washer, Thrust 5/8 x 1.10 x 1/32
6	532137335	Pinion, Input
7	532145101	Shaft, Input
8	532124792	Bearing, Needle
9	532102136	Washer, Seal
10	532124697	Ball, Steel
11	532100371	Spring, Shift, Fork
12	532106160	O-Ring
13	532142145	Bracket Asm. Shift
14	532008353	Fork, Shift
15	812000039	Ring, Klip
16	532140525	Shaft, Shift
18	532004358	Washer
19	812000040	Ring, Klip
20	532102114	Gear, Assembly, Reverse Idler (Includes Key Nos. 21 and 22)
21	532102115	Gear, Reverse Idler
22	532006803	Bearing, Needle
23	532102111	Shaft, Reverse Idler
24	810040700	Washer, Lock 7/16
25	873610700	Nut, Hex 7/16-20

KEY NO.	PART NO.	DESCRIPTION
27	532143009	Bearing, Shaft, Ground Drive L.H.
28	532106390	Spacer 0.765 x 1.125 x 1.23
29	532102134	Chain #35-50 Pitch
30	532109204	Ground Shaft Assembly
31	532143008	Bearing, Shaft, Ground Drive R.H.
32	532106388	Spacer 0.70 x 1.00 x 1.150
33	532102121	Sprocket and Gear Assembly
34	532102112	Shaft, Reduction (2nd)
35	532102101	Screw, Whiz, Lock 5/16-18 x 3-1/2
36	532137300	Sprocket Assembly w/Bearing (Includes Key Nos. 37 and 38)
37	532124791	Bearing, Needle
38	532137301	Sprocket, Tine
39	532105345	Gear, Cluster, Red 1st & 2nd
40	532105346	Gear, Reverse
41	532008358	Shaft, Reduction (1st)
42	532004220	Washer, Thrust
43	532106146	Spacer 1.01 x 1.75 x 0.760
44	532009672	Cup, Formed
45	532102144	Ring, Spiral
46	532140576	Seal, Ring, Rubber
47	532007393	Seal, Oil
48	532139546	Gearcase, R.H. w/Bearing (Includes Key No. 8)
49	532132688	Shaft, Tine
50	532106147	Chain, Roller #50-50 Pitch
51	817580408	Screw 1/4-20 x 1/2
52	873220500	Nut, Hex 5/16-18
53	532122204	Bearing Kit, Tine Shaft
--	532006066	Grease, Plastilube #1

NOTE: All component dimensions given in U.S. inches.
 1 inch = 25.4 mm

TILLER - - MODEL NO. CRT35 (954001252B)

TINE SHIELD

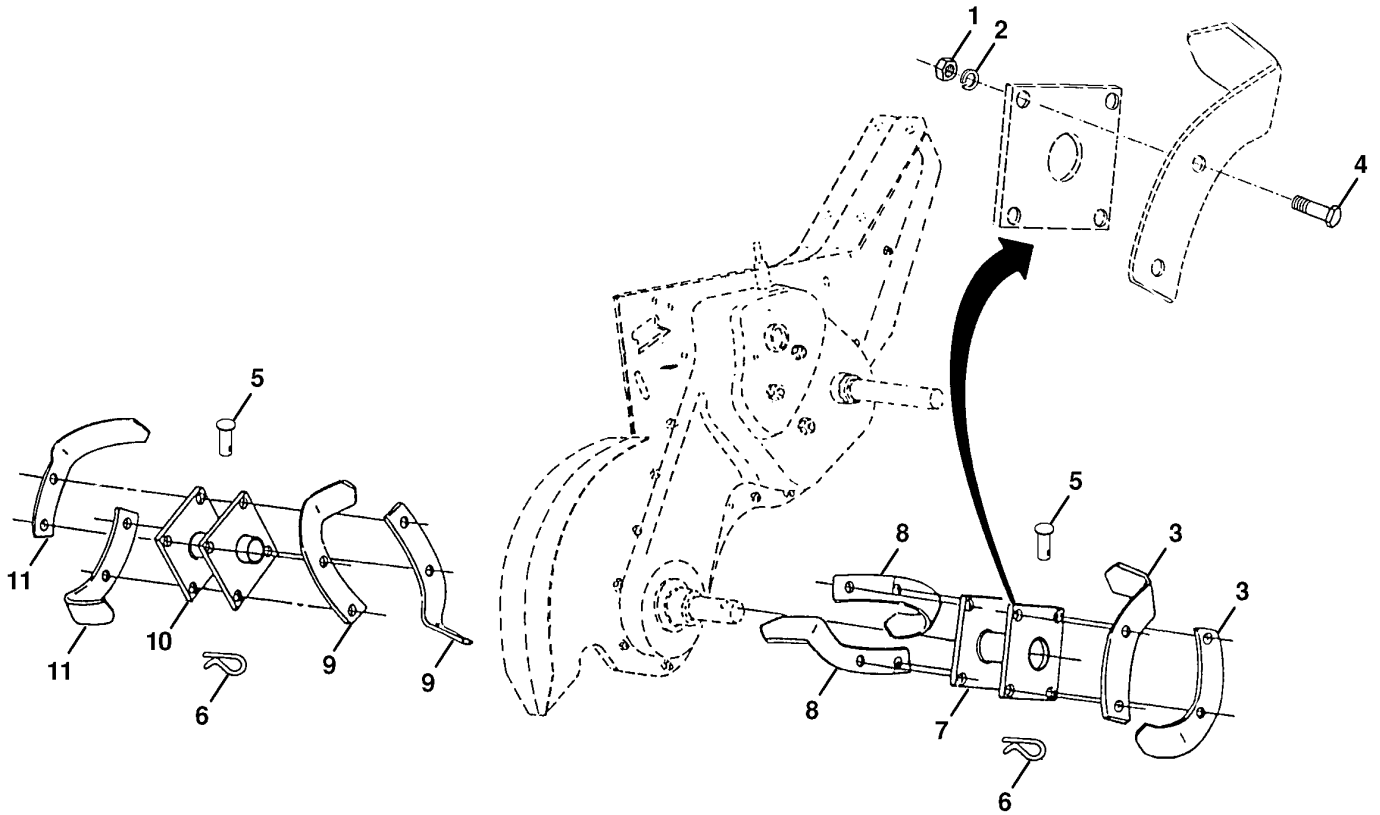


KEY NO.	PART NO.	DESCRIPTION	KEY NO.	PART NO.	DESCRIPTION
1	898000129	Nut, Flange 5/16-18	17	810040400	Washer, Lock 1/4
2	532125012	Shield, Side, Outer L. H.	18	872040410	Bolt, Carriage 1/4-20 x 1-1/4 Gr. 5
3	532008393	Pin, Stake, Depth	19	532102701	Grip
4	812000036	Ring, Klip	20	873220600	Nut, Hex 3/8-16
5	872140506	Bolt, Carriage 5/16-18 x 3/4 Gr 5	21	532144437	Stake, Depth
6	532008394	Spring	22	874930632	Bolt, Hex 3/8-16 x 2
7	532008392	Bracket, Latch	23	532004440	Hinge
8	532109230	Spring, Depth Stake	24	872140404	Bolt, Carriage 1/4-20 x 1/2 Gr. 5
9	532138863	Shield, Tine	25	532124717	Cap, Vinyl
10	532125013	Shield, Side	26	532109227	Pad, Idler
11	873220500	Nut, Hex 5/16-18	27	532125451	Shield, Leveling
12	810040500	Washer, Lock 5/16	28	532120588	Pin, Hinge
13	872110510	Bolt, Carriage 5/16-18 x 1-1/4			
14	532124343	Bracket, Shield Tine			
15	532125015	Shield, Side, Outer R.H.			
16	873220400	Nut, Hex 1/4-20			

NOTE: All component dimensions given in U.S. inches.
 1 inch = 25.4 mm

TILLER - - MODEL NO. CRT35 (954001252B)

TINES



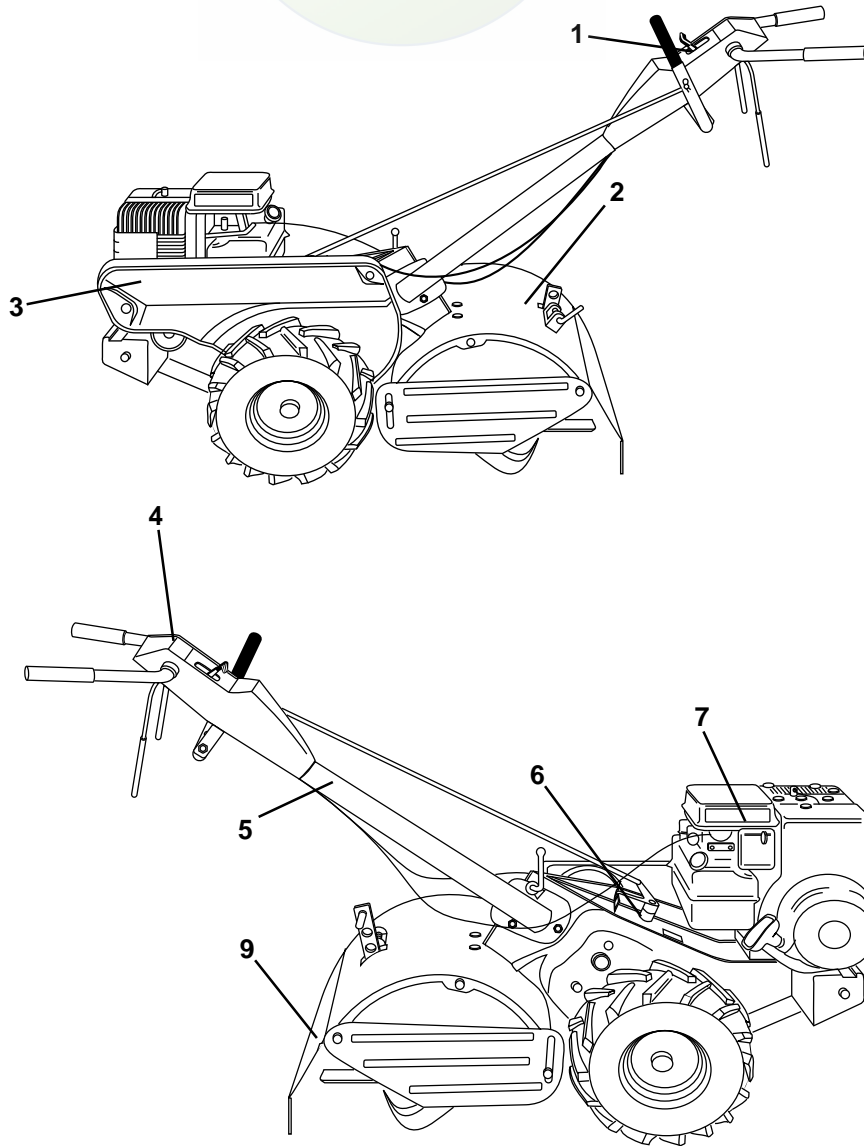
KEY NO.	PART NO.	DESCRIPTION
1	873610600	Nut, Hex 3/8-24
2	810040600	Washer, Lock 3/8
3	532004460	Tine, Outer, R.H.
4	874610616	Bolt, Hex 3/8-24 x 1
5	532132673	Pin, Shear
6	532124660	Clip, Hairpin

KEY NO.	PART NO.	DESCRIPTION
7	532132722	Assembly, Hub and Plate, R.H.
8	532006555	Tine, Inner, R.H.
9	532006554	Tine, Inner, L.H.
10	532132721	Assembly, Hub and Plate, L.H.
11	532004459	Tine, Outer, L.H.

NOTE: All component dimensions given in U.S. inches.
 1 inch = 25.4 mm

TILLER - - MODEL NO. CRT35 (954001252B)

DECALS



NO. DE REF.	NO. DE PIECE	DESCRIPTION
1	532137806	Decal, Logo
2	532124263	Decal, Logo
3	532137663	Decal, Logo
4	532136942	Decal, Instruction, Tilling
5	532110614	Decal, Hand Placement
6	532104323	Decal, Shift Indicator
7	532110612	Decal, Caution
9	532120076	Decal, Warning, Rotating Tines
--	532149508	Manual Owner's (English)
--	532149509	Manual Owner's (French)