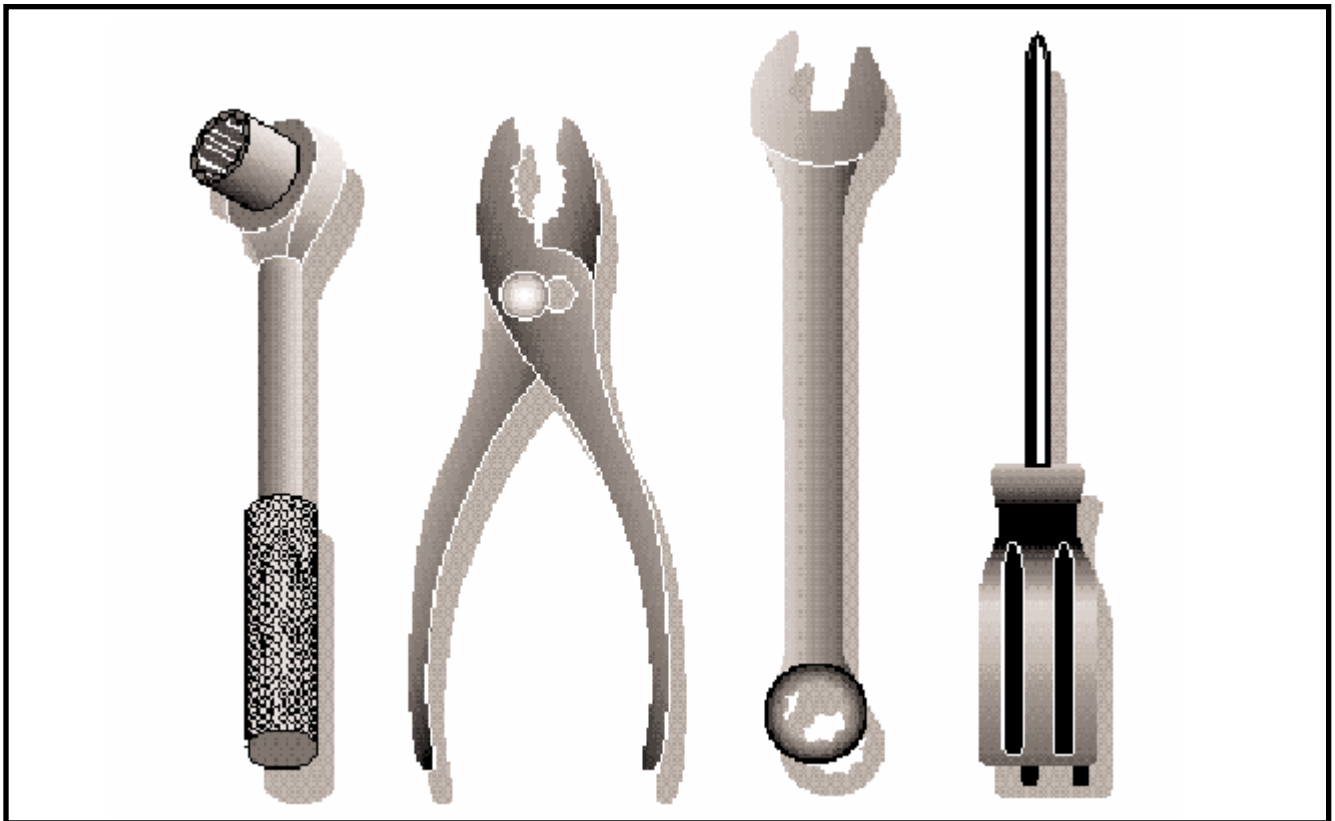




Illustrated Parts List	2000-11
	I0002011

# 650 CRT A

954328030

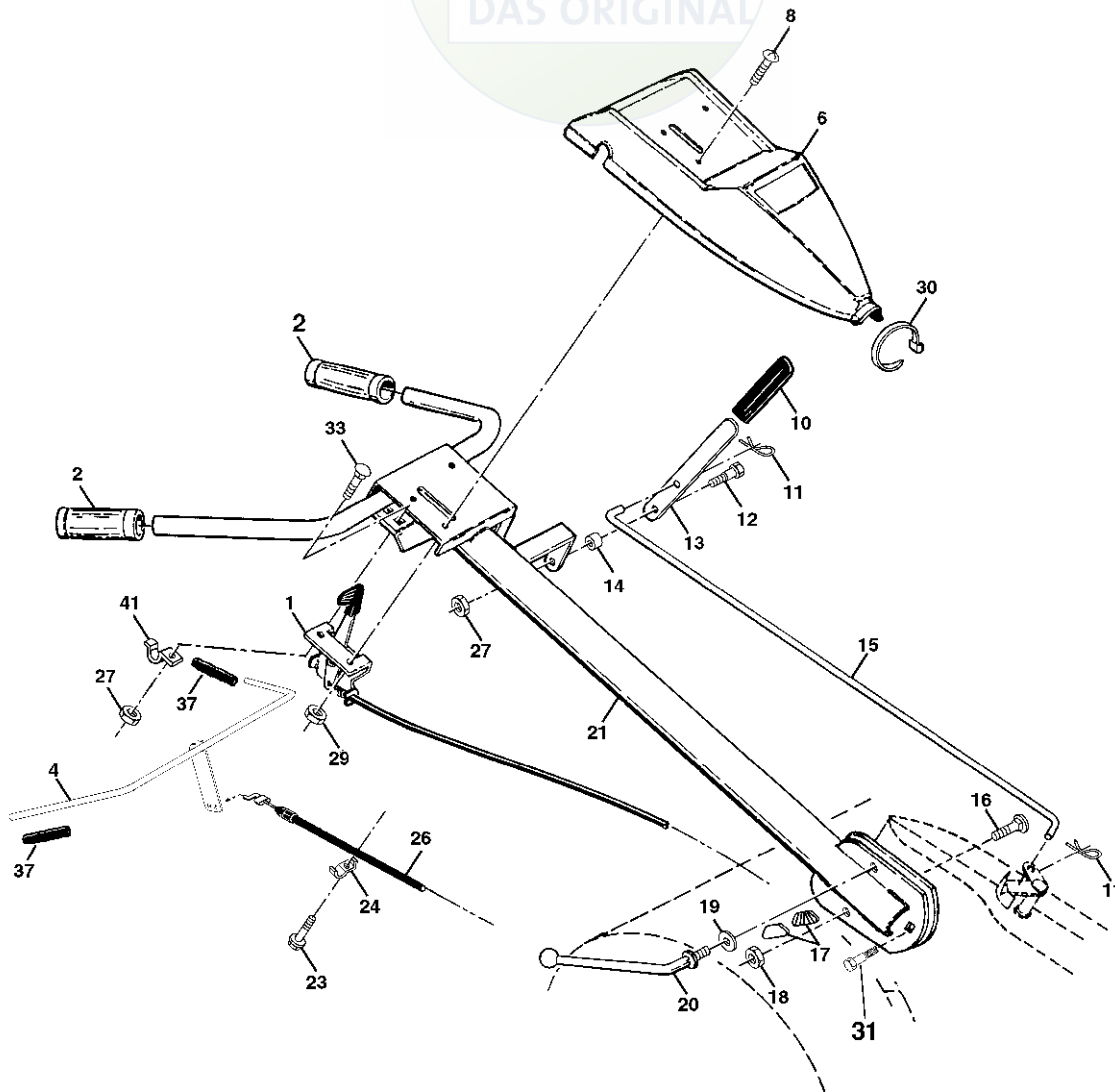


Repair Parts Manual

Tiller

# REPAIR PARTS

TILLER - - MODEL NUMBER 650CRTA, PRODUCT NUMBER 954 32 80-30  
HANDLE ASSEMBLY

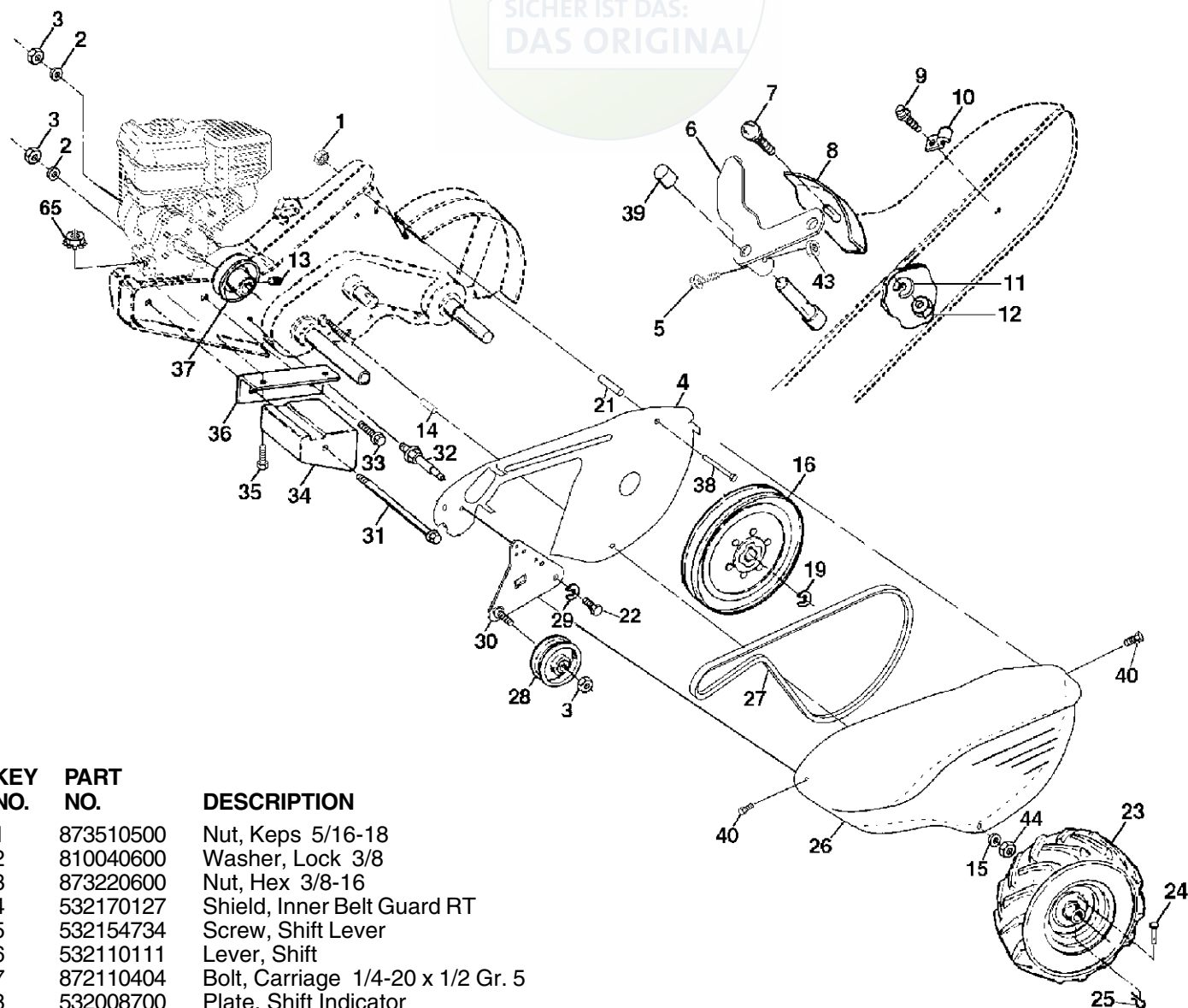


KEY NO.	PART NO.	DESCRIPTION	KEY NO.	PART NO.	DESCRIPTION
1	532175250	Control, Throttle	21	532150256	Handle
2	532009266	Grip, Handle	23	532086777	Screw, Hex Washer Hd. Slotted #10-24 x 1/2
4	532159228	Bar Assembly, Control	24	532009484	Clip
6	532126956	Panel, Control	26	532159231	Cable, Clutch
8	871191008	Screw, Truss Hd. #10-24 UNC x 1/2	27	873900400	Nut Hex Flange 1/4-20 Unc
10	532124797	Grip, Handle	29	873731000	Nut, Keps #10-24 UNC
11	532124788	Clip, Hairpin	30	532104164	Tie, Cable
12	532081328	Bolt, Shoulder	31	532150696	Bolt, Pivot
13	532109335	Handle, Shift	33	872140404	Bolt, Carriage 1/4-20 UNC x 1/2
14	532109313	Grommet, Rubber	37	532102604	Grip, Bar, Control
15	532109337	Rod, Shift	41	532102744	Clamp, Bar, Control
16	872110608	Bolt, Carriage 3/8-16 x 1 Gr. 5			
17	532109229	Lock, Handle			
18	873680600	Nut, Crownlock 3/8-16 Unc			
19	819131611	Washer 13/32 x 1 x 11 Ga.			
20	532109228	Lever, Lock, Handle			

**NOTE:** All component dimensions given in U.S. inches.  
1 inch = 25.4 mm

# REPAIR PARTS

TILLER - - MODEL NUMBER 650CRTA, PRODUCT NUMBER 954 32 80-30  
 MAINFRAME, LEFT SIDE



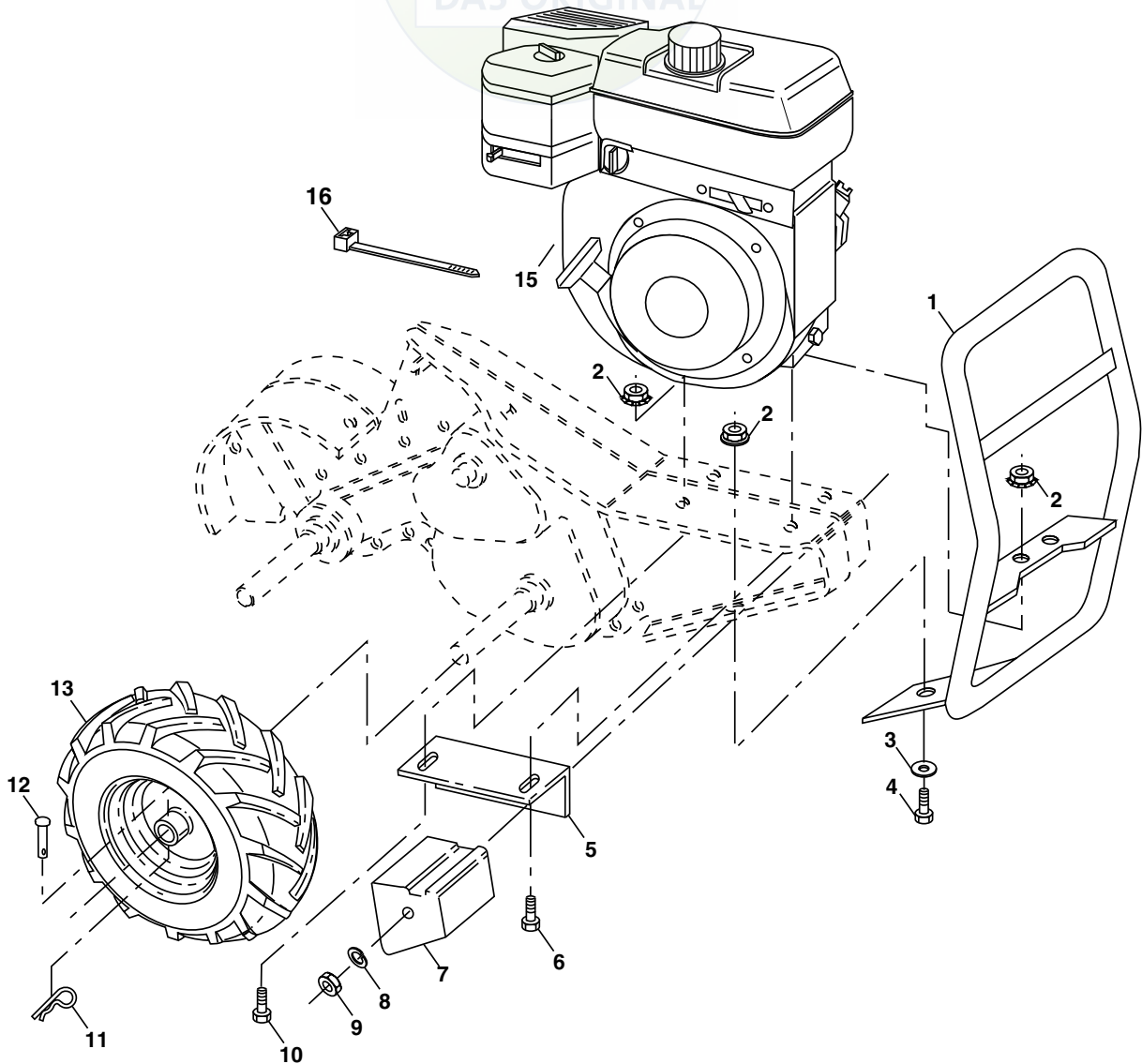
KEY NO.	PART NO.	DESCRIPTION
1	873510500	Nut, Keps 5/16-18
2	810040600	Washer, Lock 3/8
3	873220600	Nut, Hex 3/8-16
4	532170127	Shield, Inner Belt Guard RT
5	532154734	Screw, Shift Lever
6	532110111	Lever, Shift
7	872110404	Bolt, Carriage 1/4-20 x 1/2 Gr. 5
8	532008700	Plate, Shift Indicator
9	532086777	Screw, Hex, Washer Head, Slotted #10-24 x 1/2
10	532009484	Clip
11	810040400	Washer, Lock 1/4
12	873220400	Nut, Hex 1/4-20
13	823230506	Screw, Set, Hex 5/16-18 x 3/8
14	532110652	Spacer, Split 0.327 x 0.42 x 2.09
15	819111116	Washer 11/32 x 11/16 x 16 Ga.
16	532145102	Sheave, Transmission
19	812000028	Retainer, Ring
21	532156117	Spacer, Split
22	874770508	Bolt, Fin Hex 5/16-24 UNF x 1/2
23	532005015	Tire
	532124366	Rim
	532124718	Tire Valve
24	532126875	Rivet, Drilled
25	532124788	Clip, Hairpin
26	532166792	Guard, Belt
27	532132801	Belt, V
28	532104679	Pulley, Idler
29	812000032	Ring, Klip

KEY NO.	PART NO.	DESCRIPTION
30	532159229	Bracket, Idler
31	532102384	Bolt, Hex 5/16-16 x 12
32	532102141	Shaft, Idler Arm
33	874760616	Bolt, Hex 3/8-16 x 1
34	532102383	Counterweight, L. H.
35	874760532	Bolt, Hex 5/16-18 x 2
36	532102331	Bracket, Reinforcement, L. H.
37	532130812	Sheave, Engine
38	874760544	Bolt, Fin Hex 5/16-18 UNC x 2-3/4
39	532140062	Cap, Plunger Blk
40	532170488	Screw Hex Wsh Slit #10-24 x 1/2
43	532069180	Nut, Lock #10-24
44	873800500	Nut Lock Hex w/Ins 5/16-18 Unc PL
65	873970500	Nut Lock Hex Flange

**NOTE:** All component dimensions given in U.S. inches. 1 inch = 25.4 mm

# REPAIR PARTS

TILLER - - MODEL NUMBER 650CRTA, PRODUCT NUMBER 954 32 80-30  
 MAINFRAME, RIGHT SIDE



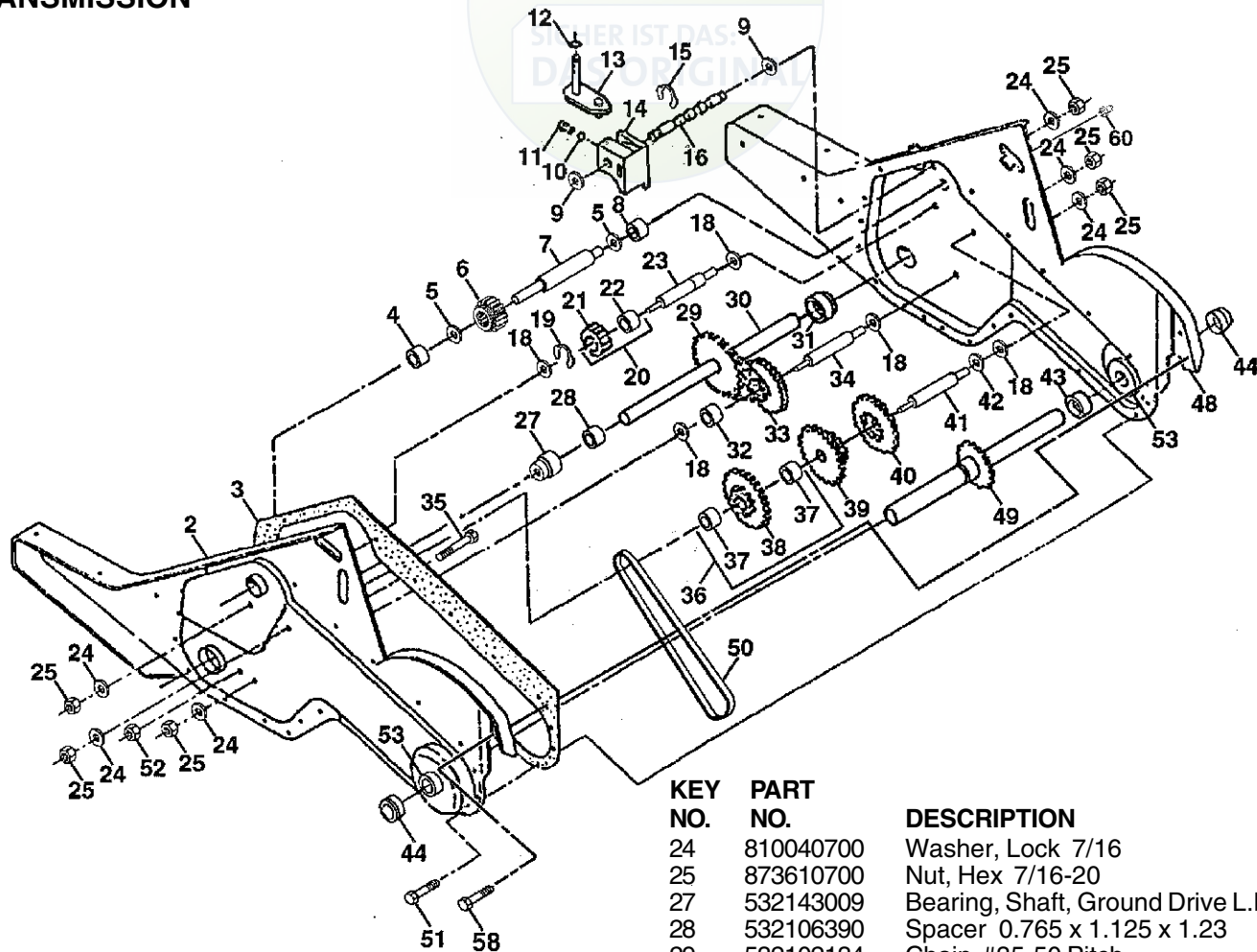
KEY NO.	PART NO.	DESCRIPTION
1	532166532	Bumper
2	873970500	Locknut, Hex, Flange 5/16-18
3	819111116	Washer 11/32 x 11/16 x 16 Ga.
4	874760512	Bolt, Hex 5/16-18 x 3/4
5	532102332	Bracket, Reinforcement
6	874760532	Bolt, Hex 5/16-18 x 2
7	532102173	CounterWeight, R.H.
8	810040600	Washer, Lock 3/8
9	873220600	Nut, Hex 3/8-16
10	874760524	Bolt, Hex 5/16-18 x 1-1/2

KEY NO.	PART NO.	DESCRIPTION
11	532124788	Clip, Hairpin
12	532126875	Rivet, Drilled
13	532005015	Tire
	532124366	Rim
	532124718	Tire Valve
15	-----	Engine, Briggs & Stratton Model No. 121402
16	532124756	Tie Cable

**NOTE:** All component dimensions given in U.S.inches.  
 1 inch = 25.4 mm

# REPAIR PARTS

TILLER - - MODEL NUMBER 650CRTA, PRODUCT NUMBER 954 32 80-30  
TRANSMISSION



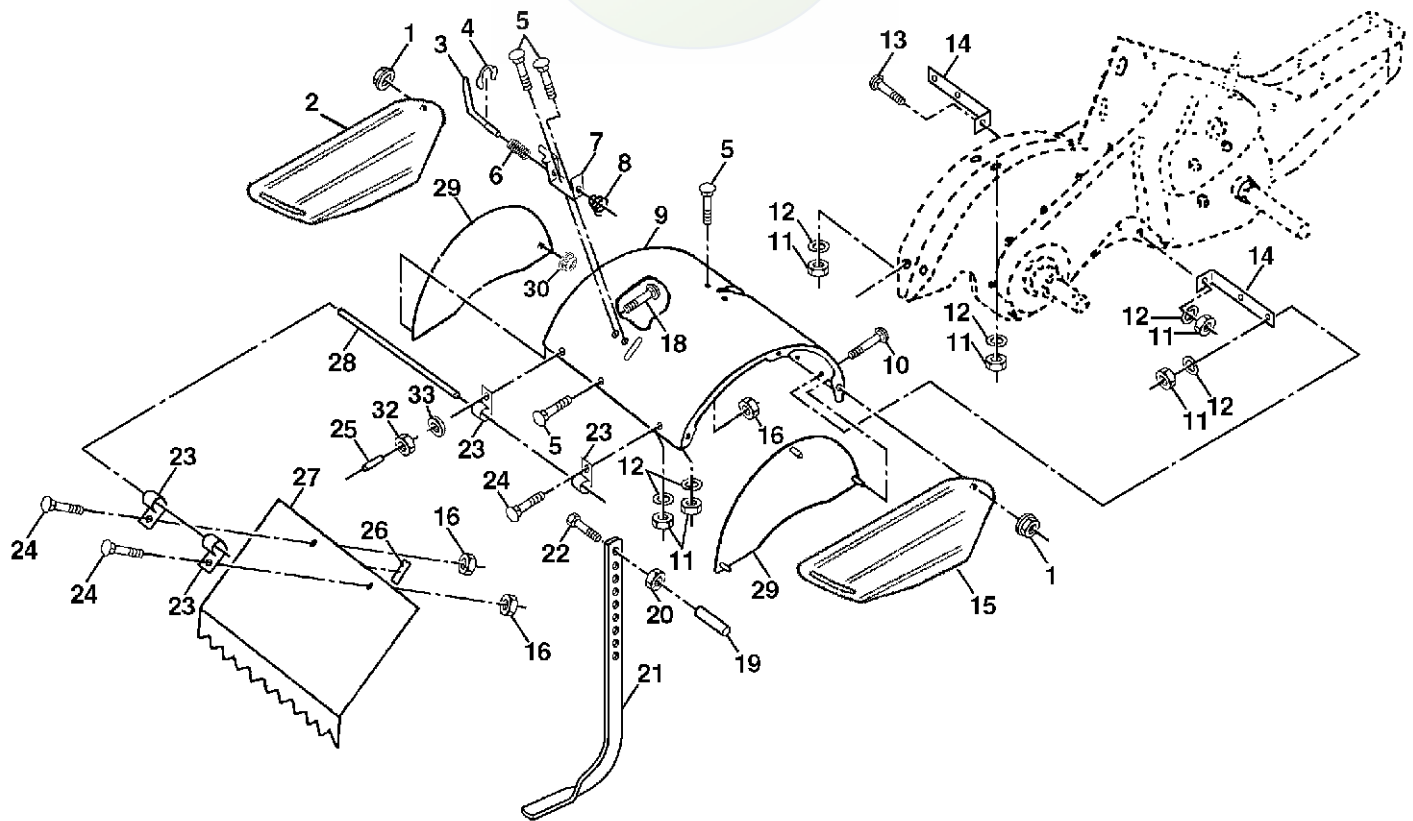
KEY NO.	PART NO.	DESCRIPTION
1	532170337	Transmission Assembly (Includes Key Nos. 2-53)
2	532165729	Gearcase, L.H. w/Bearing (Includes Key No. 4)
3	532161963	Gasket, Gearcase
4	532005020	Bearing, Needle
5	532001370	Washer, Thrust 5/8 x 1.10 x 1/32
6	532137335	Pinion, Input
7	532145101	Shaft, Input
8	532124792	Bearing, Needle
9	532154467	Washer, Seal
10	532124697	Ball, Steel
11	532100371	Spring, Shift, Fork
12	532106160	O-Ring
13	532142145	Arm, Shift
14	532008353	Fork, Shift
15	812000039	Ring, Klip
16	532154466	Shaft, Shift
18	532004358	Washer
19	812000040	Ring, Klip
20	532102114	Gear, Assembly, Reverse Idler (Includes Key Nos. 21 and 22)
21	532102115	Gear, Reverse Idler
22	532006803	Bearing, Needle
23	532102111	Shaft, Reverse Idler

KEY NO.	PART NO.	DESCRIPTION
24	810040700	Washer, Lock 7/16
25	873610700	Nut, Hex 7/16-20
27	532143009	Bearing, Shaft, Ground Drive L.H.
28	532106390	Spacer 0.765 x 1.125 x 1.23
29	532102134	Chain #35-50 Pitch
30	532150737	Ground Shaft Assembly
31	532143008	Bearing, Shaft, Ground Drive R.H.
32	532106388	Spacer 0.70 x 1.00 x 1.150
33	532102121	Sprocket and Gear Assembly
34	532102112	Shaft, Reduction (2nd)
35	532102101	Screw, Whiz, Lock 5/16-18 x 3-1/2
36	532154355	Sprocket Assembly w/Bearing (Includes Key Nos. 37 and 38)
37	532124791	Bearing, Needle
38	532154356	Sprocket, Tine
39	532105345	Gear, Cluster, Red 1st & 2nd
40	532105346	Gear, Reverse
41	532008358	Shaft, Reduction (1st)
42	532004220	Washer, Thrust
43	532106146	Spacer 1.01 x 1.75 x 0.760
44	532155236	Seal Asm, Oil
48	532170338	Gearcase, R.H. w/Bearing (Includes Key No. 8)
49	532132688	Shaft, Tine
50	532106147	Chain, Roller #50-50 Pitch
51	817720408	Screw 1/4-20 x 1/2
52	873220500	Nut, Hex 5/16-18
53	532165140	Kit, Bearing
58	817720412	Screw Thd Cut 1/4-20 x 3/4 TY23
60	532124836	Fitting Grease
--	532006066	Grease, Plastilube #1

**NOTE:** All component dimensions given in U.S. inches.  
1 inch = 25.4 mm

# REPAIR PARTS

**TILLER - - MODEL NUMBER 650CRTA, PRODUCT NUMBER 954 32 80-30**  
**TINE SHIELD**



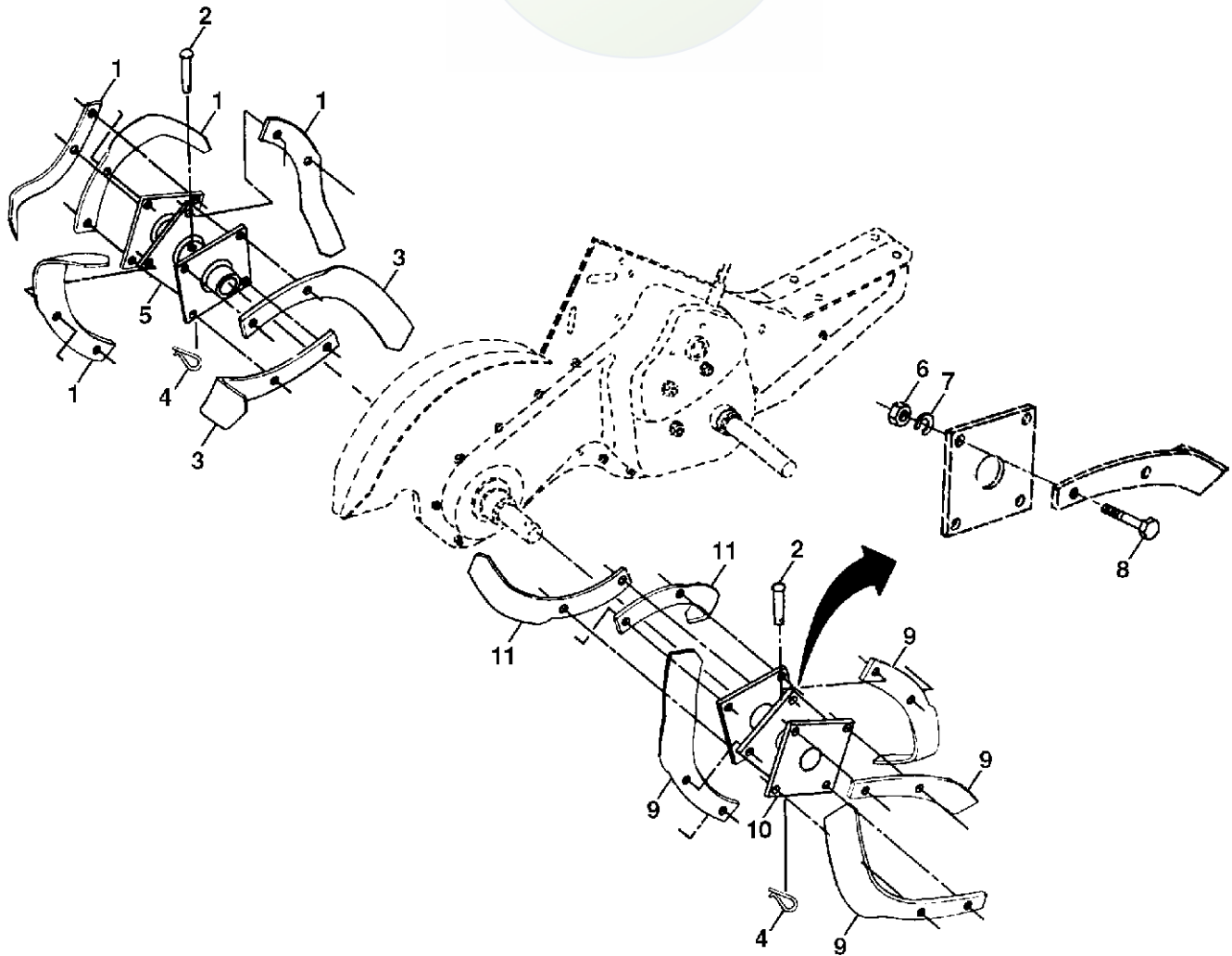
KEY NO.	PART NO.	DESCRIPTION
1	873900500	Nut, Lock Hex Flange 5/16-18
2	532162952	Shield, Side, Outer L. H.
3	532008393	Pin, Stake, Depth
4	812000036	Ring, Klip
5	872140506	Bolt, Carriage 5/16-18 x 3/4 Gr. 5
6	532008394	Spring
7	532008392	Bracket, Latch
8	532109230	Spring, Depth Stake
9	532142292	Shield, Tine
10	872140508	Bolt, Carriage 5/16-18 UNC x 1
11	873220500	Nut, Hex 5/16-18
12	810040500	Washer, Lock 5/16
13	872110510	Bolt, Carriage 5/16-18 x 1-1/4
14	532124311	Bracket, Shield Tine
15	532162953	Shield, Side, Outer R.H.
16	873900400	Nut, Hex Flange 1/4-20 UNC
18	872040410	Bolt, Carriage 1/4-20 x 1-1/4 Gr.

KEY NO.	PART NO.	DESCRIPTION
19	532102701	Grip
20	873220600	Nut, Hex 3/8-16
21	532102156	Stake, Depth
22	874930632	Bolt, Hex 3/8-16 x 2
23	532004440	Hinge
24	872140404	Bolt, Carriage 1/4-20 x 1/2 Gr. 5
25	532124717	Cap, Vinyl
26	532109227	Pad, Idler
27	532125016	Shield, Leveling
28	532120588	Pin, Hinge
29	532142293	Shield, Side
30	873970500	Locknut, Flange 5/16-18
32	873220400	Nut Fin Hex 1/4-20 UNC
33	810040400	Washer Lock Hvy Helical 1/4

**NOTE:** All component dimensions given in U.S. inches.  
 1 inch = 25.4 mm

# REPAIR PARTS

TILLER - - MODEL NUMBER 650CRTA, PRODUCT NUMBER 954 32 80-30  
TINE ASSEMBLY



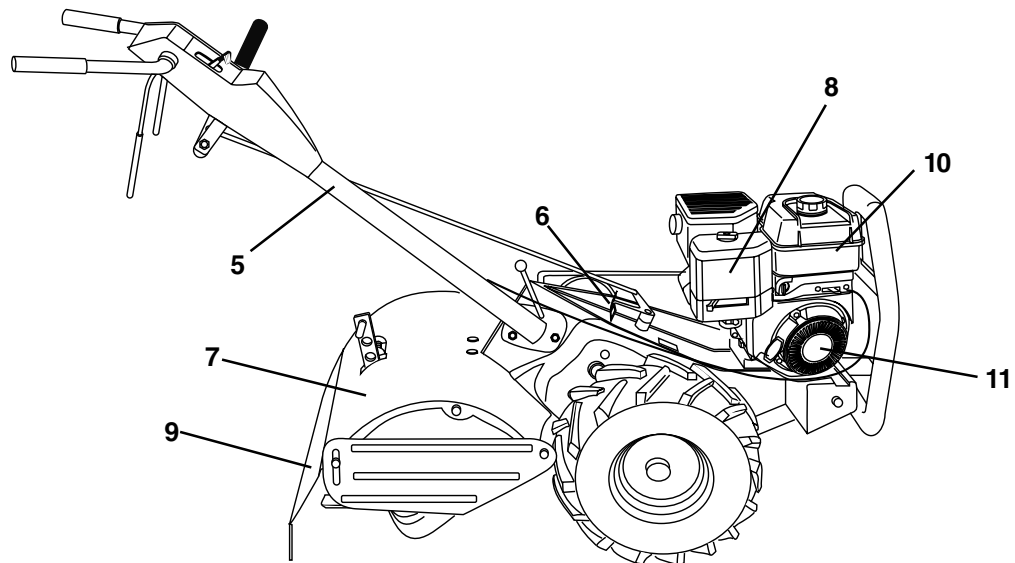
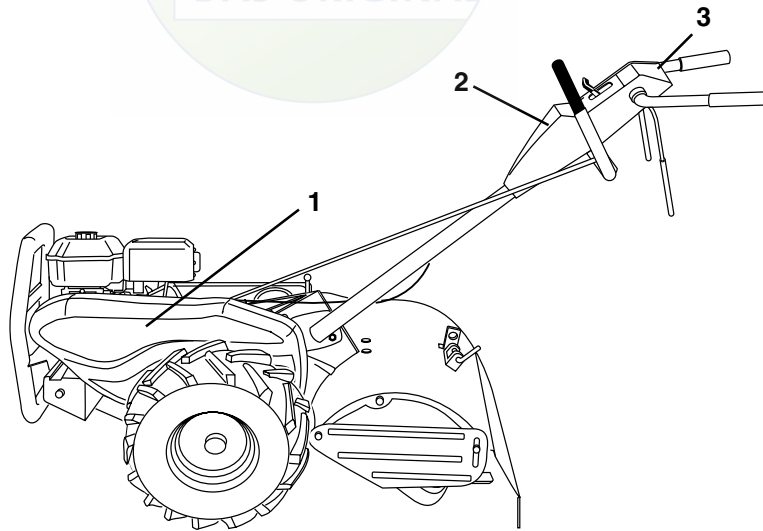
KEY NO.	PART NO.	DESCRIPTION
1	532004459	Tine, Outer, L.H.
2	532132673	Clevis Pin
3	532006554	Tine, Inner, L.H.
4	532124660	Retainer, Spring Zinc
5	532132727	Assembly, Hub and Plate, L.H.
6	873610600	Nut, Hex 3/8-24
7	810040600	Washer, Lock 3/8

KEY NO.	PART NO.	DESCRIPTION
8	874610616	Bolt, Hex 3/8-24 x 1
9	532004460	Tine, Outer, R.H.
10	532132728	Assembly, Hub and Plate, R.H.
11	532006555	Tine, Inner, R.H.

**NOTE:** All component dimensions given in U.S. inches.  
1 inch = 25.4 mm

# REPAIR PARTS

TILLER - - MODEL NUMBER 650CRTA, PRODUCT NUMBER 954 32 80-30  
DECALS



KEY NO.	PART NO.	DESCRIPTION
1	532177007	Decal, Blt Grd
2	532175997	Decal, CNTRL PNL
3	532155856	Decal, Logo
5	532110614	Decal, Hand Placement
6	532102180	Decal, Shift Indicator
7	532162384	Decal, Warning
8	532171079	Decal, Engine B&S 6.5 HP
9	532120076	Decal, Warning, Rotating Tines
10	532166869	Decal, Engine Intek REF
11	532171078	Decal, Rewind Intek #274350
--	532175725	Manual, Owner's (English)
--	532175726	Manual, Owner's (French)