

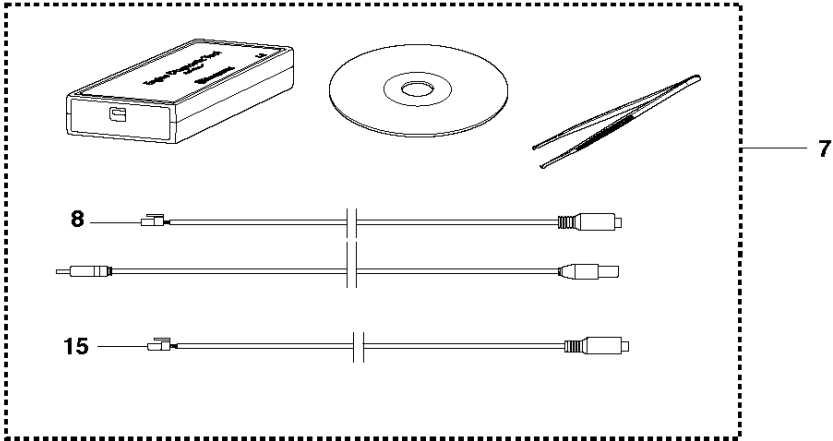
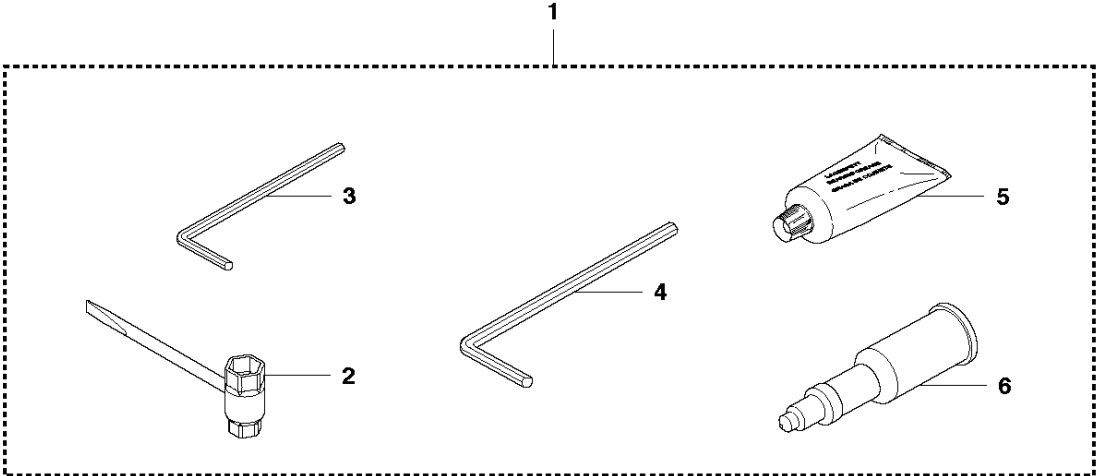


# SPARE PARTS LIST

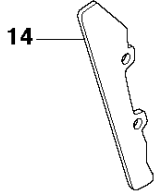
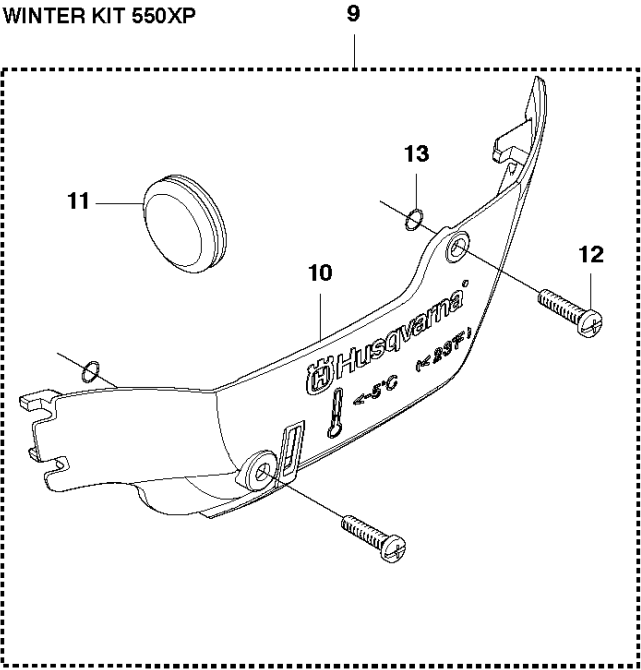
CHAIN SAWS

550 XP/XPG

**P** 550XP  
ACCESSORIES



WINTER KIT 550XP

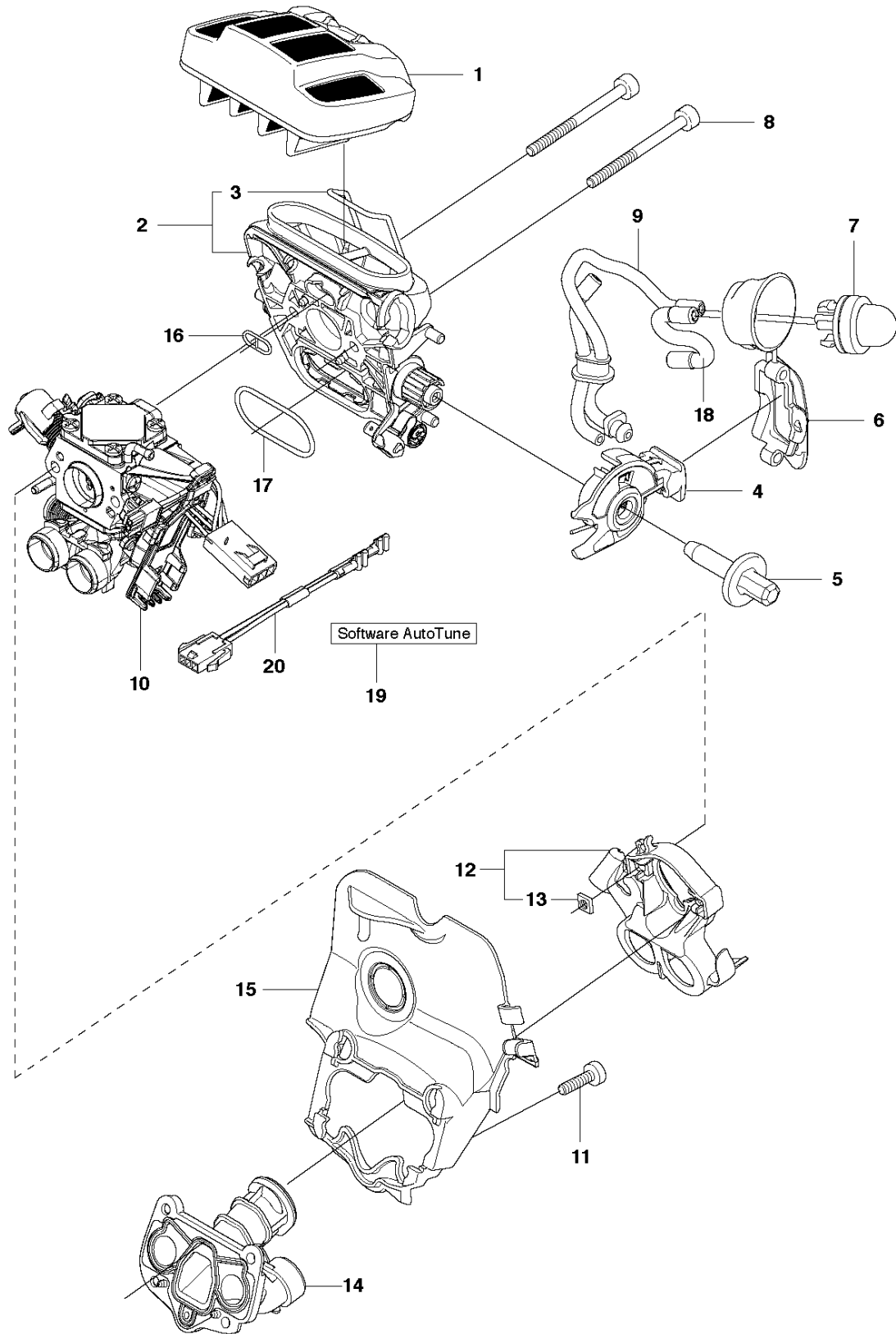


## ACCESSORIES

550 XP/XPG

Ref	Part no.	Description	Remark	Qty	Kit
1	575 43 92-01	TOOL		1	
2	522 52 11-01	COMBINATION WRENCH		1	1
3	503 55 86-01	SPANNER		1	1
4	503 55 86-02	SPANNER		1	1
5	503 62 12-01	GREASE		1	1
6	501 91 14-01	GREASE GUN		1	1
7	576 69 23-01	SERVICE TOOLS	Engine diagnostic tool	1	
8	576 18 34-01	CABLE ASSY	Diagnostics cable	1	7
9	522 98 66-01	WINTER KIT		1	
10	525 55 80-01	WINTER COVER		1	9
11	578 12 55-01	WINTER PLUG		1	9
12	503 21 70-16	SCREW CCRPANT		2	9
13	740 42 01-00	O-RING		2	9
14	577 88 72-01	ENCLOSED KIT		1	
15	576 95 22-01	CABLE ASSY	Diagnostics cable 550XP	1	7

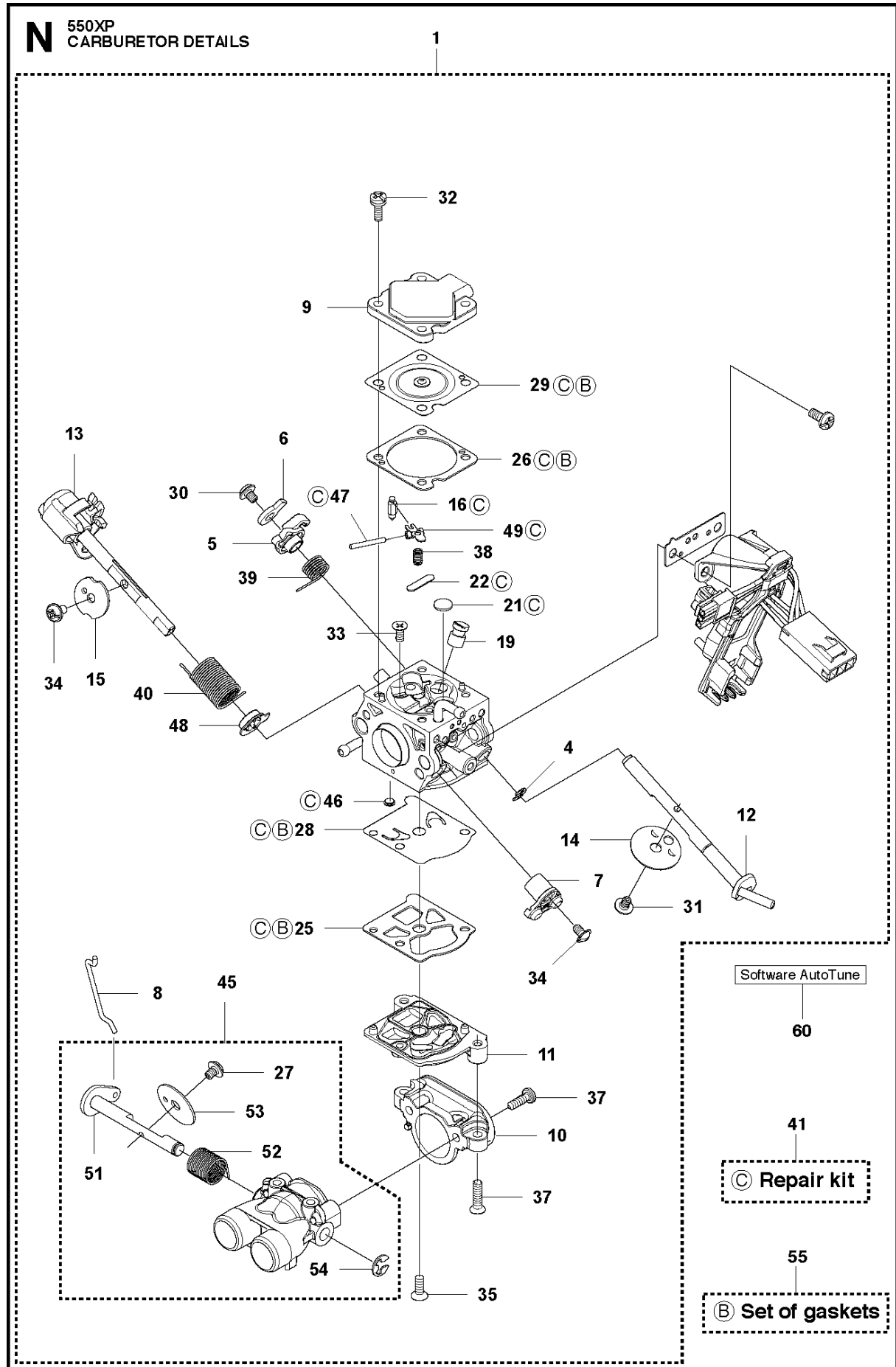
**G** 550XP  
CARBURETOR & AIR FILTER



## CARBURETOR &amp; AIR FILTER

550 XP/XPG

Ref	Part no.	Description	Remark	Qty	Kit
1	522 67 54-04	AIR FILTER ASSY	NYLON 80 µm black	1	
1	522 67 54-05	AIR FILTER ASSY	NYLON 44 µm yellow	1	
1	522 67 54-06	AIR FILTER ASSY	FELT white	1	
2	522 90 76-01	FILTER HOLDER ASSY	XP	1	
2	522 90 76-02	FILTER HOLDER ASSY	XPG	1	
3	522 90 73-01	SHACKLE		1	2
4	510 01 72-01	CHOKE CONTROL ASSY		1	
5	505 15 62-01	SCREW		1	
6	525 58 81-01	SEALING		1	
7	503 93 66-01	PRIMER HOUSING		1	
8	503 20 25-50	SCREW IHSCM		2	
9	525 34 43-02	FUEL HOSE		1	
10	579 20 03-01	CARBURETTOR		1	
11	510 02 06-01	SCREW IHSCM		4	
12	523 06 40-01	FLANGE		1	
13	503 22 65-03	SQUARE NUT		2	12
14	525 50 00-02	INLET PIPE ASSY		1	
15	522 95 10-01	INTERMEDIATE WALL		1	
16	525 61 92-01	SEALING		1	
17	525 61 90-01	SEALING		1	
18	523 05 68-01	FUEL HOSE		1	
19	.	TBD	Download from your local supportsite	1	
20	577 53 64-01	WIRING ASSY		1	

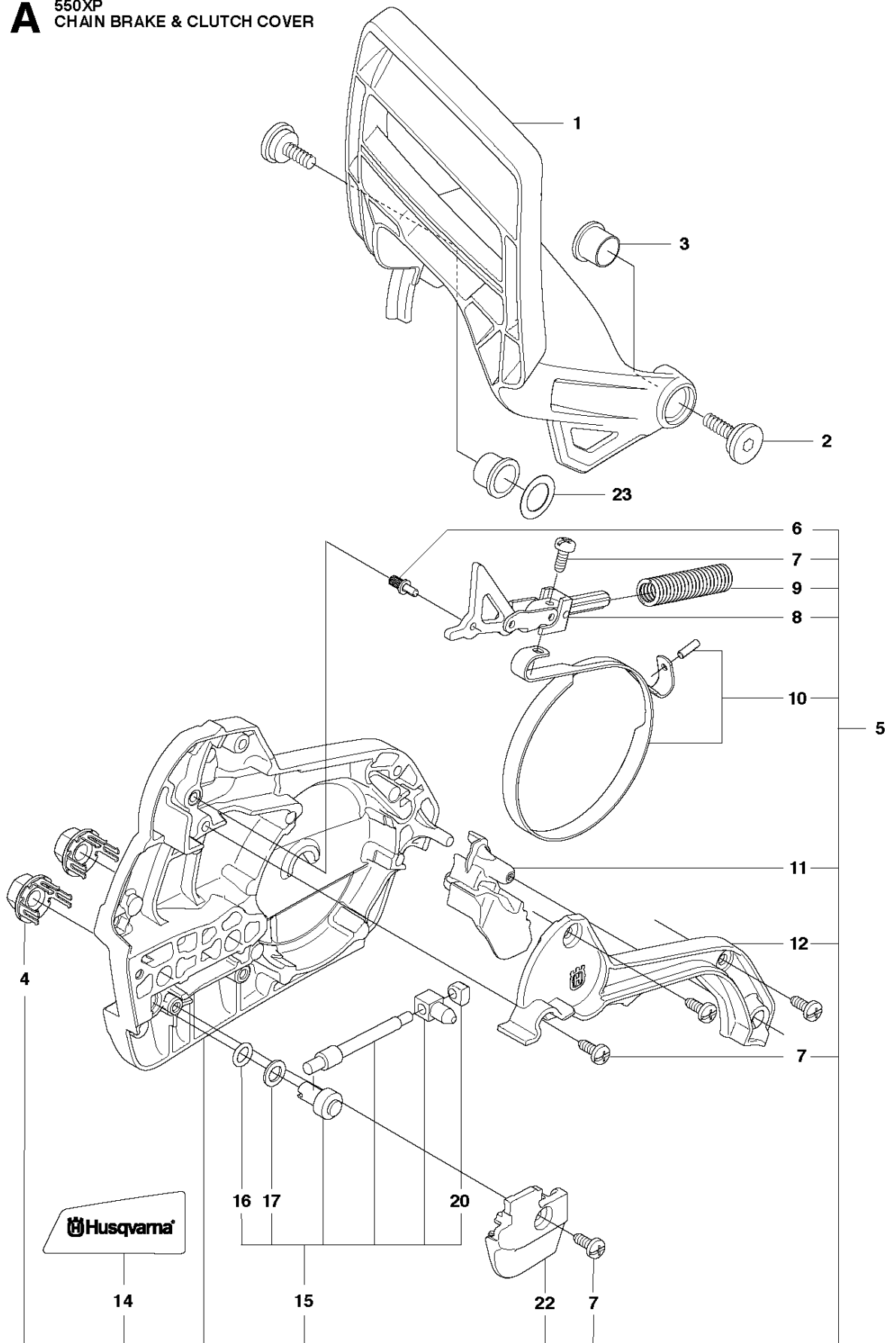


## CARBURETOR DETAILS

550 XP/XPG

Ref	Part no.	Description	Remark	Qty	Kit
1	584 97 38-01	CARBURETTOR KIT	AT 1A	1	
4	577 26 29-01	RETAINER		1	1
5	574 35 77-01	LEVER		1	1
6	576 61 85-01	LEVER		1	1
7	577 21 92-01	THROTTLE LEVER ASSY		1	1
8	574 35 79-01	LINK		1	1
9	574 35 81-01	COVER		1	1
10	575 79 48-01	INLET		1	1
11	575 79 47-01	COVER		1	1
12	574 35 84-01	SHAFT ASSY		1	1
13	574 35 82-01	SHAFT		1	1
14	574 35 85-01	VALVE		1	1
15	574 35 75-01	VALVE		1	1
16	503 56 34-01	VALVE INLET NEEDLE		1	1
19	576 61 88-01	NOZZLE ASSY		1	
21	504 79 08-01	PLUG		1	1
22	502 84 69-01	PLUG		1	1
25	504 13 09-06	GASKET		1	1
26	574 35 86-01	GASKET		1	1
27	574 35 87-01	GASKET		1	1
28	577 01 66-01	DIAPHRAGM		1	1
29	574 35 88-01	DIAPHRAGM ASSY		1	1
30	501 46 87-01	SCREW		1	1
31	537 00 34-01	SCREW		1	1
32	537 00 31-01	SCREW		4	1
33	502 84 71-01	SCREW		1	1
34	544 11 15-01	SCREW		2	1
35	574 35 90-01	SCREW		1	1
37	576 61 89-01	SCREW		4	1
38	503 56 24-01	SPRING		1	1
39	574 35 93-01	SPRING		1	1
40	574 35 94-01	SPRING		1	1
41	577 66 61-01	REPAIR KIT		1	
45	579 32 31-01	THROTTLE VALVE ASSY		1	1
46	501 66 61-01	SCREEN-INLET		1	1
47	505 52 01-25	PIN-METERING LEVER		1	1
48	574 35 96-01	BUSHING		1	1
49	502 84 74-01	LEVER		1	1
51	574 35 74-01	SHAFT ASSY		1	1
52	574 35 76-01	SPRING		1	1
53	576 61 90-01	VALVE		1	1
54	505 31 67-36	RING		1	1
55	576 66 65-01	GASKET KIT		1	
60	.	TBD	Download from your local supportsite		

**A** 550XP  
CHAIN BRAKE & CLUTCH COVER



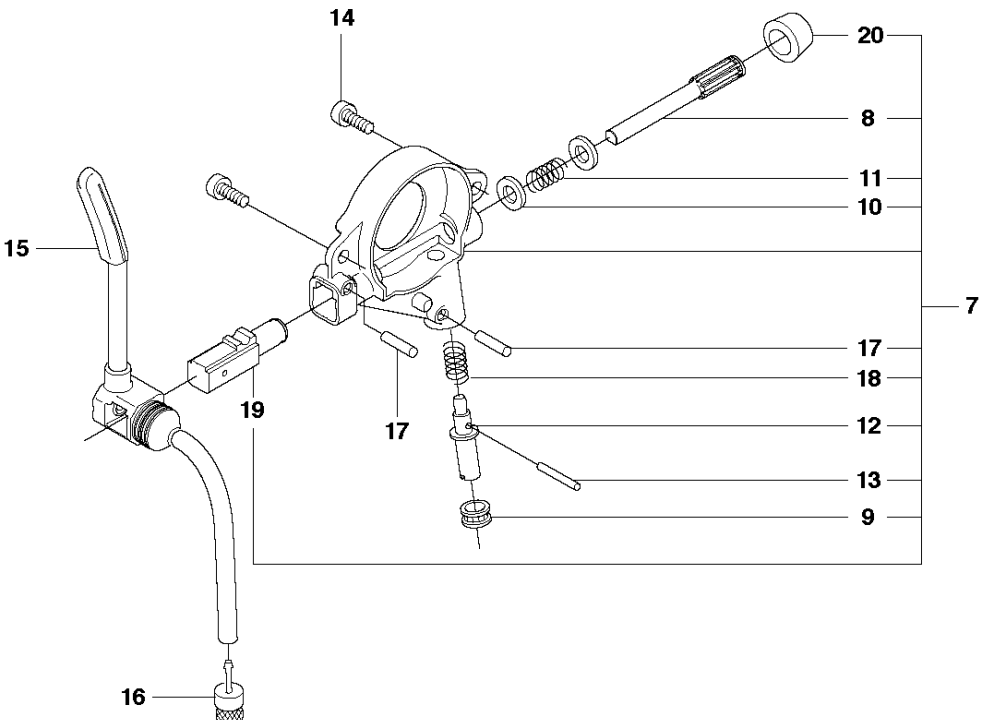
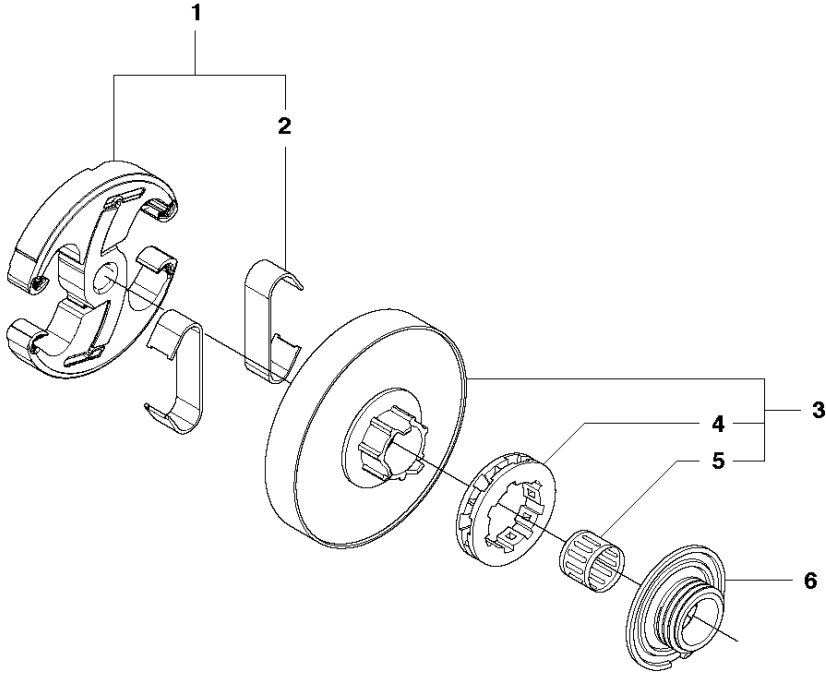


## CHAIN BRAKE &amp; CLUTCH COVER

550 XP/XPG

Ref	Part no.	Description	Remark	Qty	Kit
1	522 67 75-01	HAND GUARD		1	
2	537 20 90-01	SCREW		2	
3	537 20 28-01	BUSHING		2	
4	505 19 73-01	NUT RETAINER ASSY		2	
5	505 19 90-05	CLUTCH COVER ASSY		1	
6	503 75 18-01	PIN KNEE-JOINT		1	5
7	503 21 70-10	SCREW CCRPANT		5	5
8	505 19 93-01	KNEE JOINT ASSY		1	5
9	503 90 83-01	BRAKE SPRING		1	5
10	505 19 95-02	BRAKE BAND ASSY		1	5
11	505 20 16-01	GUARD		1	5
12	505 19 97-01	COVER		1	5
14	523 05 80-01	LABEL		1	5
15	575 26 04-03	CHAIN TENSIONER KIT		1	5
16	740 48 07-02	O-RING		1	15, 5
17	503 23 00-63	WASHER		1	15, 5
20	537 01 74-01	BEARING SLEEVE		1	15, 5
22	505 19 98-01	CHAIN GUIDE		1	5
23	503 23 00-85	WASHER STEEL		1	

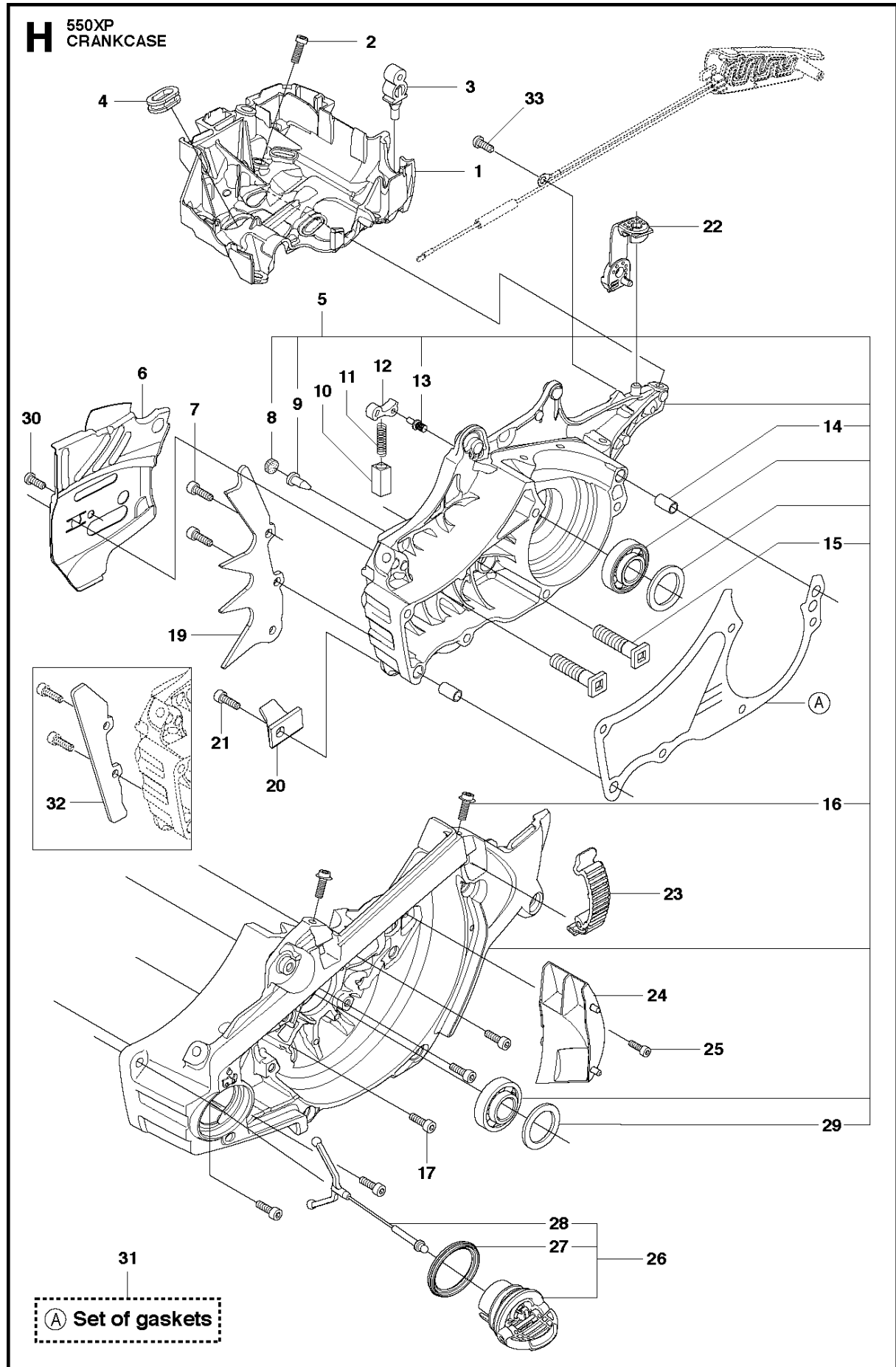
**B** 550XP  
CLUTCH & OIL PUMP



## CLUTCH &amp; OIL PUMP

550 XP/XPG

Ref	Part no.	Description	Remark	Qty	Kit
1	577 51 82-01	CLUTCH ASSY		1	
2	537 35 91-01	CLUTCH SPRING		2	1
3	575 26 10-03	CLUTCH DRUM	".325""x7"	1	
4	501 45 74-02	RIM	".325""x7"	1	3
5	503 25 34-01	NEEDLE BEARING		1	3
6	505 20 08-01	WORM WHEEL		1	
7	505 19 99-01	OIL PUMP ASSY		1	
8	505 20 02-01	PUMP PISTON		1	7
9	505 20 03-01	CASING		1	7
10	503 23 00-60	WASHER		2	7
11	503 89 16-01	SPRING		1	7
12	505 20 14-01	ADJUSTING SCREW		1	7
13	721 11 64-30	GROOVED PIN		1	7
14	510 02 06-01	SCREW IHSCM		2	
15	505 20 04-01	OIL HOSE		1	
16	504 71 00-03	OIL PLUMMET		1	
17	720 12 33-00	PARALLEL PIN		2	7
18	503 89 15-01	SPRING		1	7
19	505 20 01-01	PUMP CYLINDER		1	7
20	503 62 49-01	SEALING PLUG		1	7

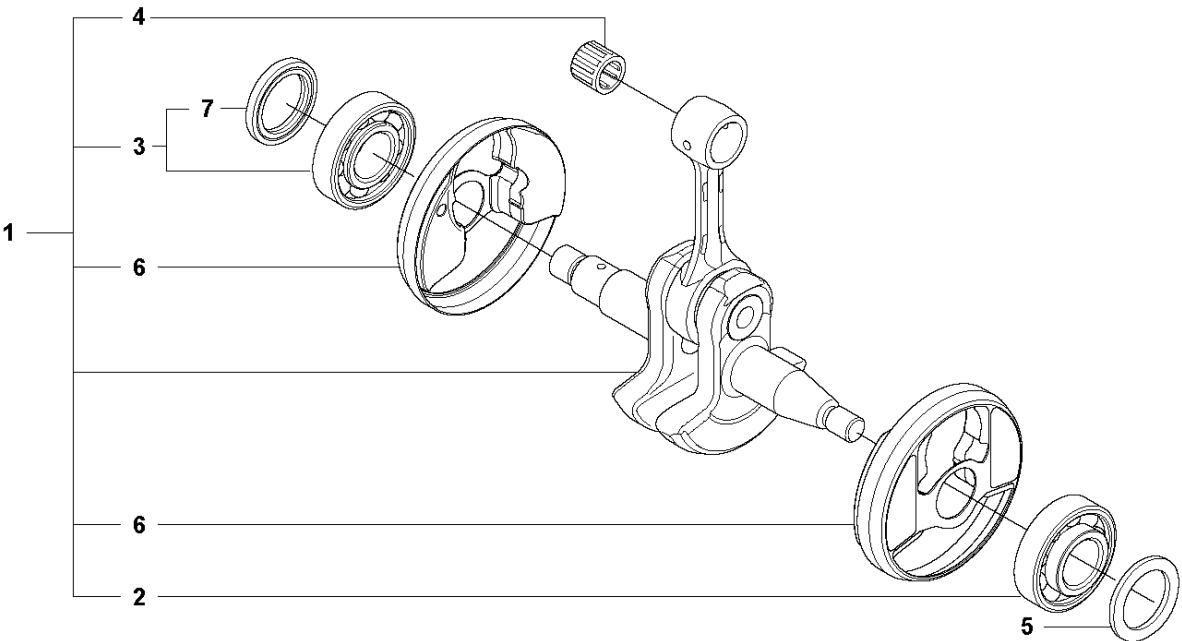


## CRANKCASE

550 XP/XPG

Ref	Part no.	Description	Remark	Qty	Kit
1	525 40 32-01	CARBURETTOR AREA BASE		1	
2	503 20 02-16	SCREW IHSCFM		4	
3	503 86 93-01	CARBURETTOR MOUNTING		2	
4	537 08 83-01	GROMMET		1	
5	577 83 47-04	CRANKCASE ASSY		1	
6	522 74 28-01	CHAIN GUIDE PLATE		1	
7	503 21 26-16	SCREW IHPANM		2	
8	537 40 35-01	FILTER		1	5
9	530 02 61-19	CHECK VALVE		1	5
10	537 21 07-01	SPRING GUIDE		1	
11	503 43 65-01	POSITION SPRING		1	
12	505 20 12-01	CATCH		1	
13	503 75 18-01	PIN KNEE-JOINT		1	5
14	501 27 08-01	GUIDE BUSHING		2	5
15	505 21 73-01	BAR BOLT		2	5
16	505 11 15-01	SCREW IHSCM		2	5
17	503 20 08-03	SCREW IHSCM		5	
19	578 40 05-01	SPIKE		1	
20	537 37 79-02	CHAIN CATCHER		1	
21	503 21 88-76	SCREW IHSCFT		1	
22	505 12 58-01	DEFLECTION LIMITER		1	
23	503 89 47-03	SNAP		3	
24	525 41 74-01	AIR NOZZLE		1	
25	510 02 06-01	SCREW IHSCM		1	
26	577 87 86-01	TANK CAP ASSY		1	
27	537 21 50-01	SEALING		1	26
28	503 57 89-01	HOLDER		1	26
29	525 39 12-01	RADIAL SEAL		1	5
30	525 88 74-01	SCREW CITXPANT		1	
31	577 76 66-03	GASKET KIT	A=set of gaskets	1	
32	577 88 72-01	ENCLOSED KIT		1	
33	526 22 18-01	SCREW CITXPANT		1	

**E** 550XP  
CRANKSHAFT

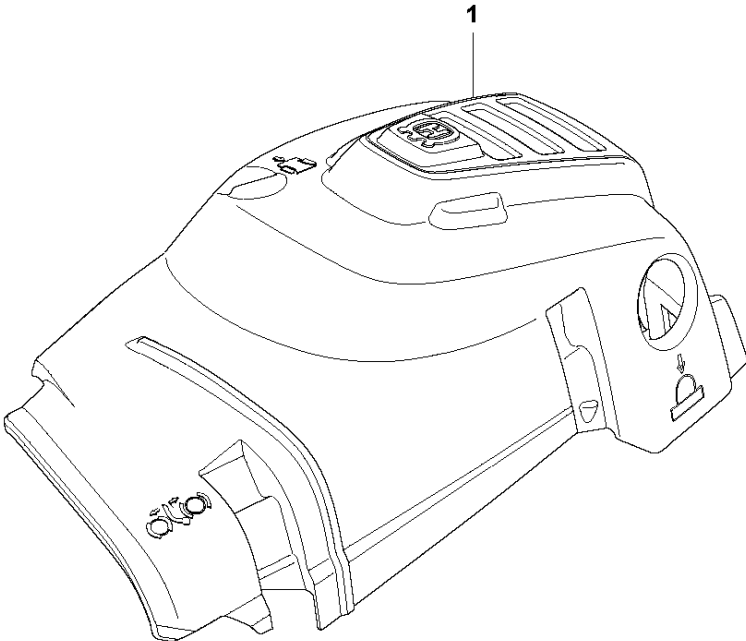


CRANKSHAFT

550 XP/XPG

Ref	Part no.	Description	Remark	Qty	Kit
1	577 76 73-03	CRANKSHAFT ASSY		1	
2	505 13 35-01	BALL BEARING		1	1
3	525 43 42-01	BALL BEARING		1	1
4	501 45 16-01	NEEDLE BEARING		1	1
5	525 39 12-01	RADIAL SEAL		1	
6	522 73 77-01	CUP		2	1
7	503 26 09-01	SEALING		1	1, 3

**C** 550XP  
CYLINDER COVER



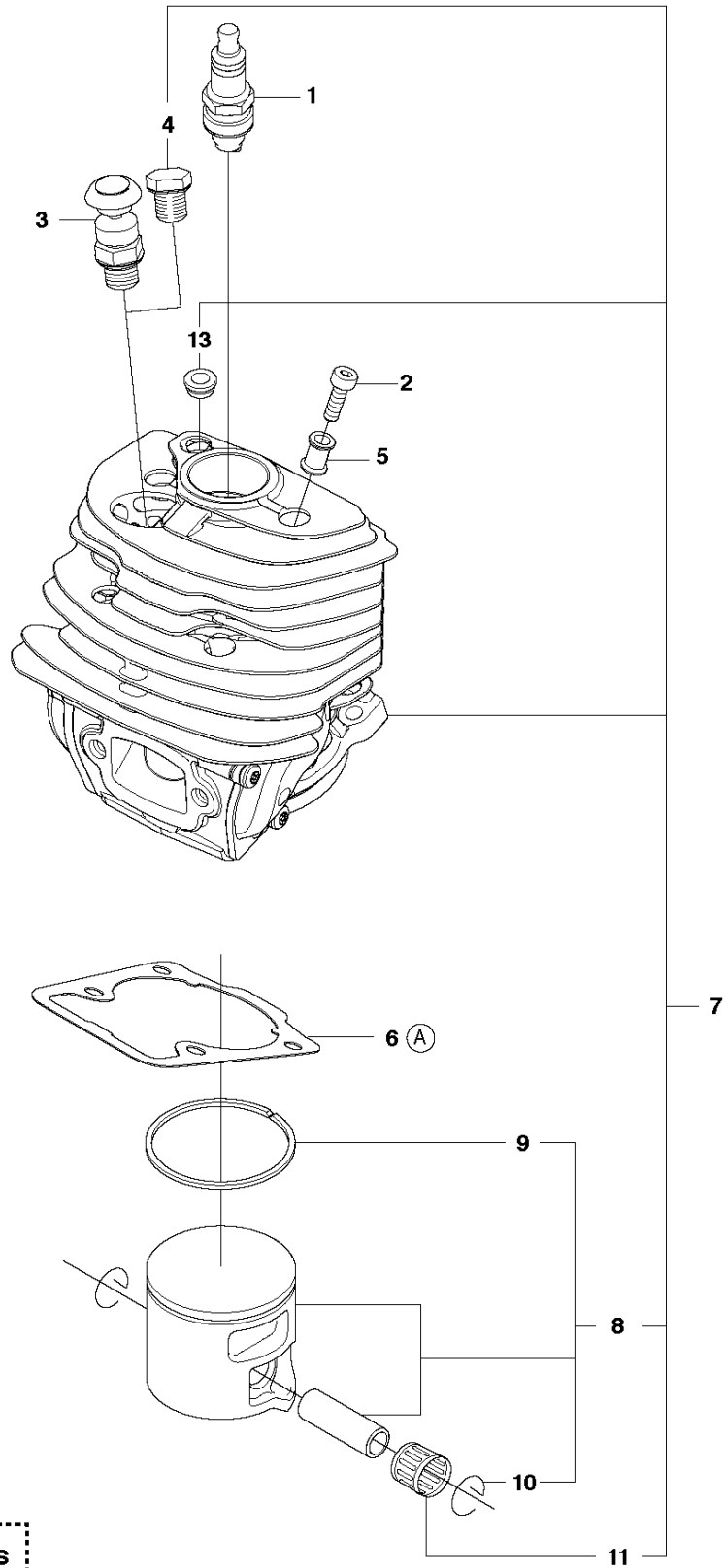


CYLINDER COVER

550 XP/XPG

Ref	Part no.	Description	Remark	Qty	Kit
1	522 74 12-01	CYLINDER COVER ASSY		1	

**D** 550XP  
CYLINDER PISTON

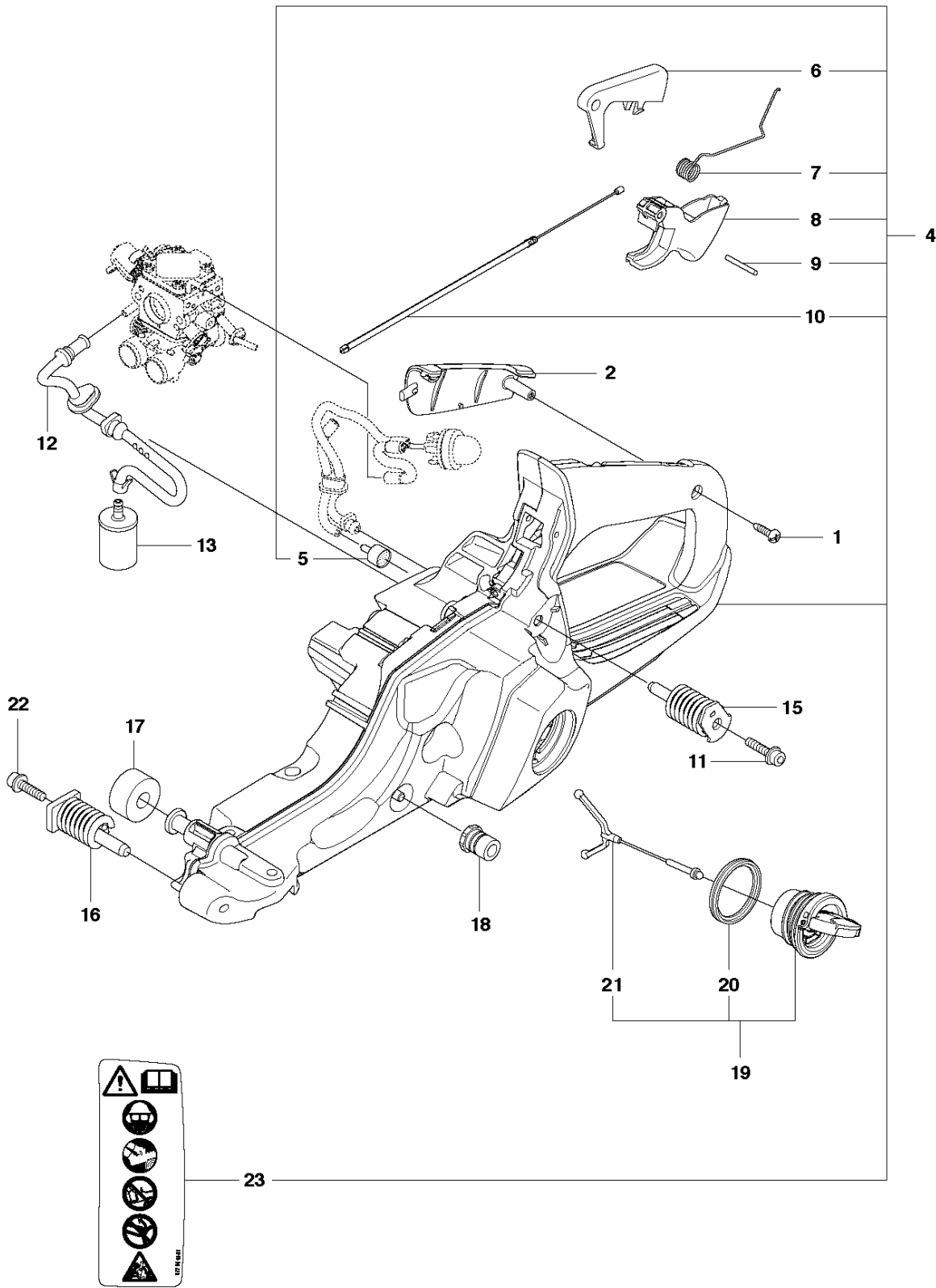


## CYLINDER PISTON

550 XP/XPG

Ref	Part no.	Description	Remark	Qty	Kit
1	574 51 96-01	SPARK PLUG		1	
2	725 53 37-55	SCREW IHSCM		4	
3	575 27 69-01	DECOMPRESSION VALVE		1	
4	503 55 22-01	PLUG		1	
5	576 71 76-02	SLEEVE		4	
6	525 31 58-01	GASKET		1	12
7	577 76 47-01	CYLINDER-PISTON ASSY		1	
8	577 04 70-02	PISTON ASSY		1	7
9	577 95 83-01	PISTON RING		1	8, 7
10	737 44 10-00	SNAP RING		2	8, 7
11	503 25 63-01	NEEDLE BEARING		1	7
12	577 76 66-03	GASKET KIT	A=set of gaskets	1	
13	520 29 11-01	BUSHING			7

**J** 550XP  
FUEL TANK

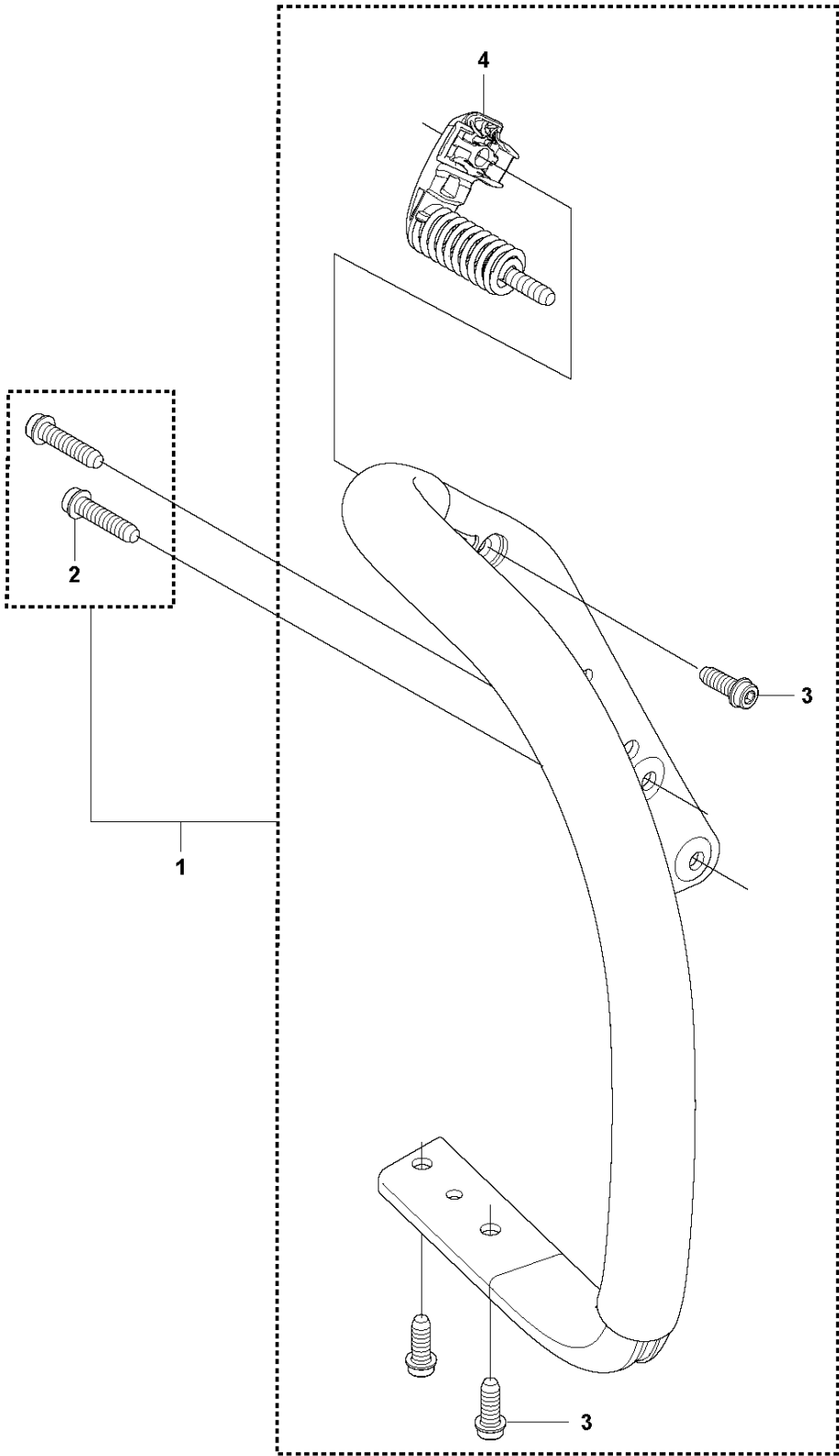


## FUEL TANK

550 XP/XPG

Ref	Part no.	Description	Remark	Qty	Kit
1	503 21 28-13	SCREW CCRPANT		1	
2	504 10 63-01	HANDLE INSERT		1	
4	577 79 02-03	FUEL TANK ASSY		1	
5	537 35 95-01	TANK VENT ASSY		1	4
6	544 09 98-01	THROTTLE LOCKOUT		1	4
7	544 09 99-01	SPRING		1	4
8	505 15 77-01	THROTTLE		1	4
9	720 18 25-20	PARALLEL PIN		1	4
10	521 88 79-01	THROTTLE CABLE ASSY		1	4
11	503 21 88-74	SCREW IHSCFT		1	
12	573 99 35-03	FUEL HOSE		1	
13	503 44 32-01	FILTER		1	
15	578 22 74-01	ANTIVIBRATION ELEMENT		1	
16	505 12 87-01	ANTIVIBRATION ELEMENT		1	
17	523 08 55-01	DEFLECTION LIMITER		1	
18	501 00 76-01	LATERAL SUPPORT		1	
19	522 62 00-01	TANK CAP ASSY		1	
20	537 21 50-01	SEALING		1	19
21	503 57 89-01	HOLDER		1	19
22	503 21 88-76	SCREW IHSCFT		1	
23	577 84 43-01	DECAL		1	4

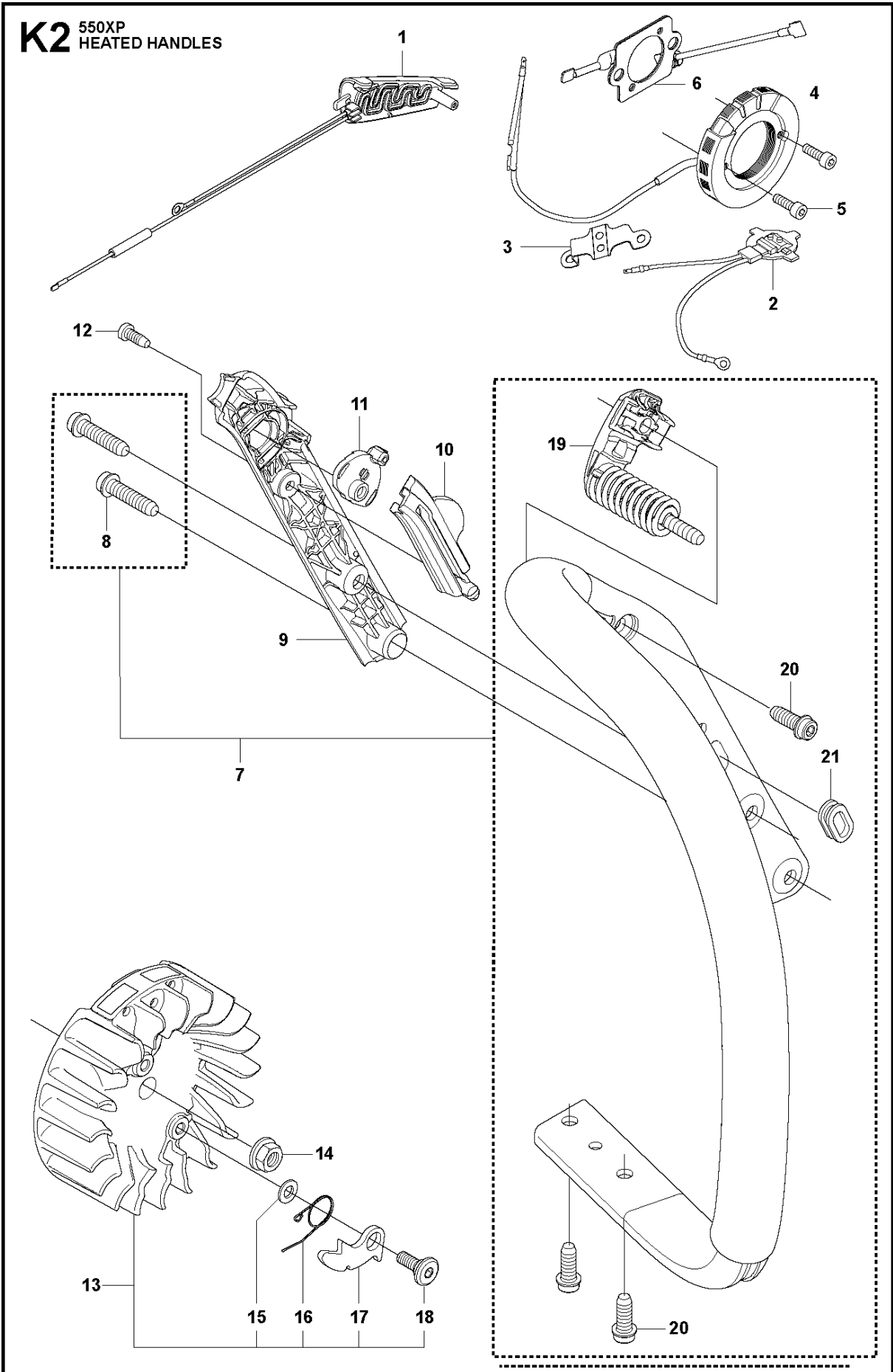
**K1** 550XP  
HANDLES



## HANDLE

550 XP/XPG

Ref	Part no.	Description	Remark	Qty	Kit
1	577 79 82-01	FRONT HANDLE		1	
2	503 21 88-76	SCREW IHSCFT		2	1
3	503 21 88-72	SCREW IHSCFT		4	1
4	522 95 15-02	ANTIVIBRATION ELEMENT		1	1

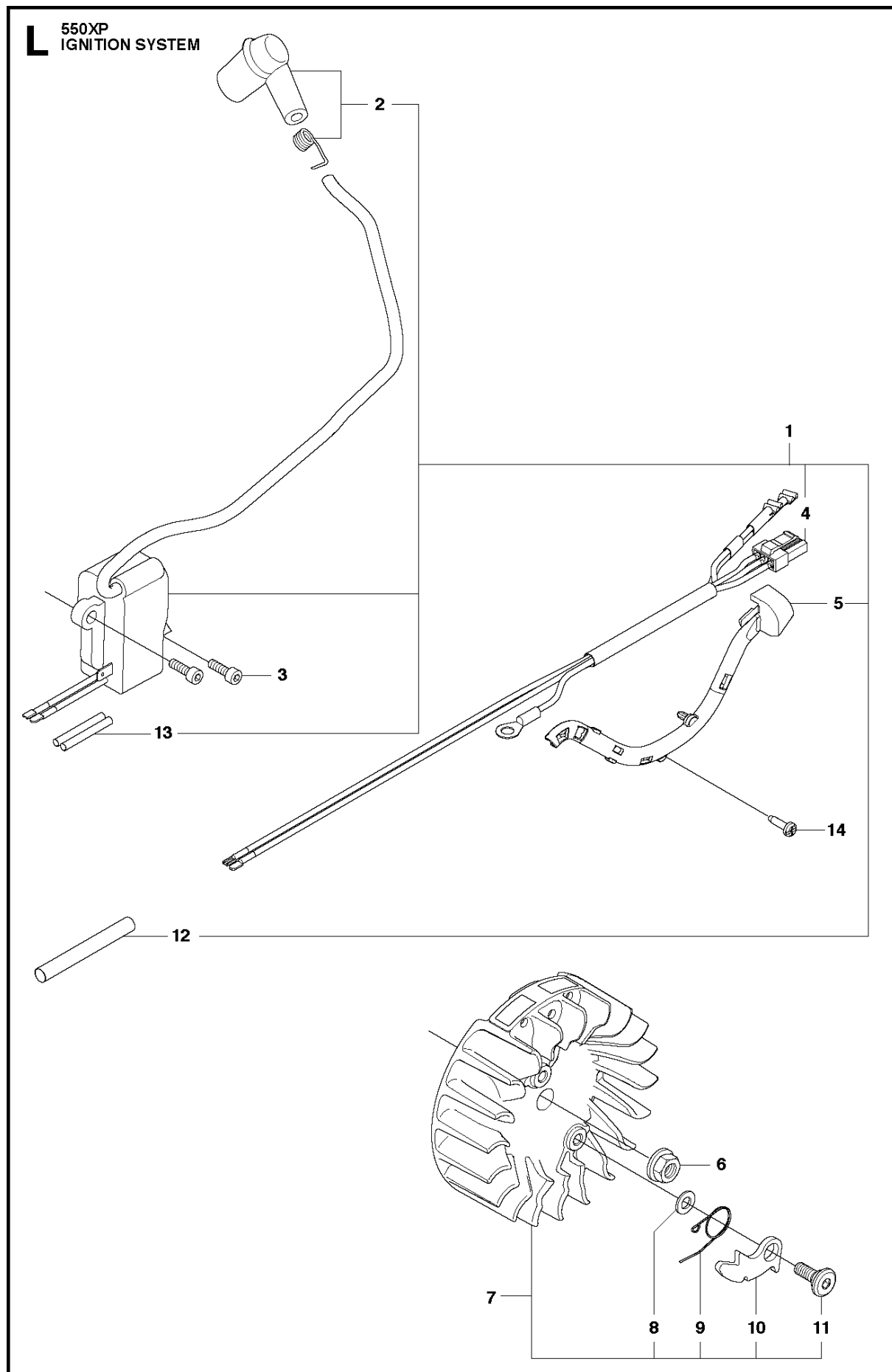




## HANDLES HEATED

550 XP/XPG

Ref	Part no.	Description	Remark	Qty	Kit
1	522 74 19-02	HANDLE INSERT		1	
2	522 66 58-01	THERMOSTAT ASSY		1	
3	537 21 08-01	RETAINER		1	
4	522 61 14-02	GENERATOR STATOR		1	
5	510 02 06-02	SCREW IHSCM		2	
6	522 63 01-01	FOIL ELEMENT		1	
7	577 79 82-02	FRONT HANDLE		1	
8	503 21 88-76	SCREW IHSCFT		2	7
9	523 34 85-03	COVER		1	
10	523 34 84-01	CONTACT PLATE		1	
11	537 25 25-01	HANDLE		1	
12	503 21 28-13	SCREW CCRPANT		1	
13	522 93 78-02	FLYWHEEL ASSY		1	
14	503 22 04-01	NUT		1	
15	503 23 00-42	WASHER		2	13
16	501 67 35-01	SPRING		2	13
17	501 67 32-01	PAWL		2	13
18	501 81 99-01	SCREW		2	13
19	505 12 97-02	ANTIVIBRATION ELEMENT		1	7
20	503 21 88-72	SCREW IHSCFT		4	7
21	537 08 83-01	GROMMET		1	7

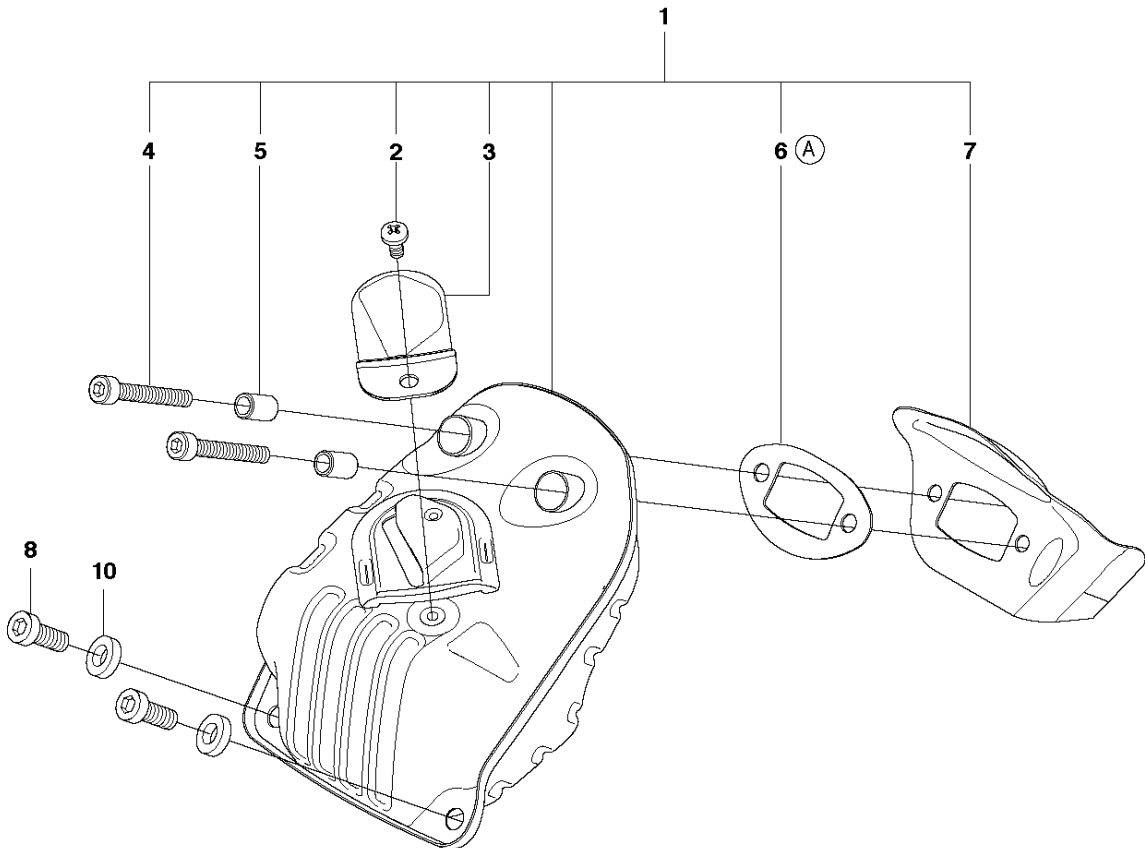


## IGNITION SYSTEM

550 XP/XPG

Ref	Part no.	Description	Remark	Qty	Kit
1	581 72 36-01	IGNITION MODULE ASSY		1	
2	501 48 54-04	SPARK PLUG CAP ASSY		1	1
3	503 20 02-20	SCREW IHSCFM		2	
4	577 96 76-02	WIRING ASSY		1	1
5	529 29 26-01	CABLE HOLDER		1	1
6	503 22 04-01	NUT		1	
7	522 93 78-01	FLYWHEEL ASSY		1	
8	503 23 00-42	WASHER		2	7
9	501 67 35-01	SPRING		2	7
10	501 67 32-01	PAWL		2	7
11	501 81 99-01	SCREW		2	7
12	504 04 35-05	CABLE COVER		1	1
13	503 23 85-01	SHRINKAGE HOSE		2	1
14	503 21 28-13	SCREW CCRPANT		1	

**F** 550XP  
MUFFLER



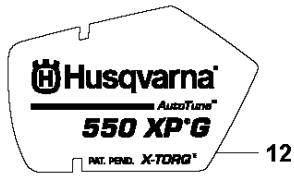
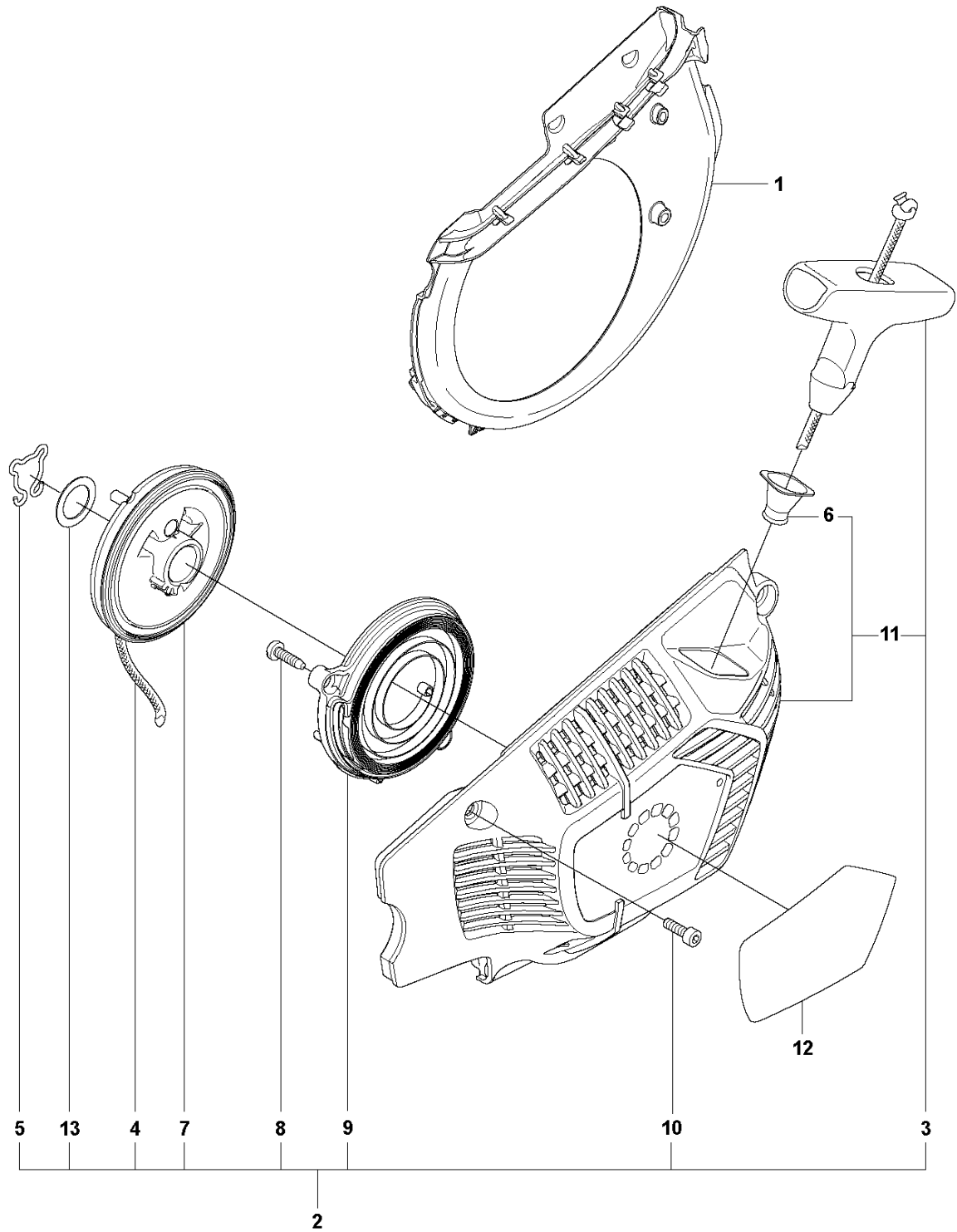
9  
Ⓐ Set of gaskets

## MUFFLER

550 XP/XPG

Ref	Part no.	Description	Remark	Qty	Kit
1	523 05 26-02	MUFFLER KIT		1	
2	724 12 87-59	SCREW CRPANM		1	1
3	576 89 02-01	SPARK ARRESTER		1	1
4	725 53 76-55	SCREW IHSCM		2	1
5	577 65 63-01	SLEEVE		2	1
6	523 05 24-01	GASKET MUFFLER		1	1, 9
7	523 05 25-01	HEAT DEFLECTOR		1	1
8	503 20 73-20	SCREW IHSCM		2	
9	577 76 66-03	GASKET KIT	A=set of gaskets	1	
10	577 90 22-01	WASHER		1	

**M** 550XP  
STARTER



## STARTER

550 XP/XPG

Ref	Part no.	Description	Remark	Qty	Kit
1	522 79 62-01	COOLING AIR CONDUCTOR		1	
2	522 74 25-04	STARTER ASSY		1	
3	537 23 25-01	STARTER HANDLE		1	2
4	505 30 51-25	STARTER CORD		1	2
5	575 85 76-01	CLIPS		1	2
6	537 28 32-01	REINFORCEMENT SLEEVE		1	2, 11
7	505 15 81-01	STARTER PULLEY ASSY		1	2
8	503 21 28-13	SCREW CCRPANT		2	2
9	505 15 79-01	SPRING CASSETTE ASSY		1	2
10	544 08 03-01	SCREW CIHPANMO		4	2
11	522 74 13-02	STARTER HOUSING		1	2
12	523 08 32-03	LABEL	XP	1	
12	523 08 32-04	LABEL	XPG	1	
13	505 15 85-01	WASHER		1	2

# Illustrated Parts List - IPL Update



Product Name(s)  
**H550XP**

Description of change

2013-09-09

1. Carburettor: Improved acceleration and startability when the engine is cold.
2. Clutch Cover,assy: Updated version of ingoing parts, brake band assy and chain tensioner parts.
3. Brake band,assy: Updated version, with out slots.
4. A new kit with chain tensioner parts (worm screw, pawl, worm wheel) with right hand thread. The left hand thread parts are removed and can not be ordered separate.
5. Air filter,assy: Sealing and snap function between filter halfes have been modified to ensure better sealing/function.
6. Tank cap,assy: New type of tank cap with a grip that can be folded back when not in use. A larger one for fuel and a smaller one for oil.
7. Crankcase,assy: Reinforced crankcase for better sealing.
8. Cover (for front handle, heated version): A defined stop added to ensure the function.
9. Crankshaft: New spare part,assy due to new ingoing part. Needle bearing. See note no.10.
10. Needle bearing: Improved needle bearing.

Introduced from	Serial number / Date	Remark
	s/n 2013 19 00517	Valid for Carburettor (1).
	s/n 2013 26 00001	Valid for all parts except Clutch cover,assy, Brake band,assy, Air filter,assy and Tank cap,assy (see point 2, 3, 5 and 6 above).
	s/n 2013 36 00001	Valid for Clutch cover,assy and Brake band,assy (2,3).
	s/n 2013 38 00001	Valid for Air filter,assy (5).
	s/n 2013 37 00001	Valid for Tank cap,assy (6).

Page Title	Ref. no	New part no	Name	Excl. part no.	Remark
Page N Carburettor Details	Pos 1	584 97 38-01 AT-1A	Carburettor	579 20 03-01 AT-1	
Page A Chain Brake and C. cover	Pos 5	505 19 90-05	Clutch Cover,assy	505 19 90-01	
	10	505 19 95-02	Brake band,assy	505 19 95-01	
	15	575 26 04-03	Chain Tensioner kit	575 26 04-01	
	18	537 28 65-01	Worm screw		Remain as spare part for other products.
	19	537 28 66-01	Pawl		Remain as spare part for other products.
	21	537 07 94-02	Worm wheel		Remain as spare part for other products.
Page G Carburettor and airfilter	1	522 67 54-04	Air filter,assy (80µ)	522 67 54-01	
	1	522 67 54-05	Air filter,assy (44µ)	522 67 54-02	



# Illustrated Parts List - IPL Update



	1	522 67 54-06	Air filter,assy (felt)	522 67 54-03	
Page J Fuel Tank	19	522 62 00-01	Tank cap,assy (Fuel)	544 11 12-01	Remain as spare part for other products.
Page H Crankcase	26	577 87 86-01	Tank cap,assy (Oil)	505 41 52-01	Remain as spare part for other products.
	5	577 83 47-04	Crankcase, assy	577 83 47-01	
	17	503 20 08-03	Screw	725 53 33-55	
	31	577 76 66-03	Gasket kit	577 76 66-02	
Page K2 Handles heated	9	523 34 85-03	Cover front handle heated	522 34 85-01	
Page E Crankshaft	1	577 76 73-03	Crankshaft, assy	577 76 73-01	
	4	501 45 16-01	Needle bearing	503 25 63-01	Remain as spare part for other products.

*Comments*

Following updates are fully interchangeable.