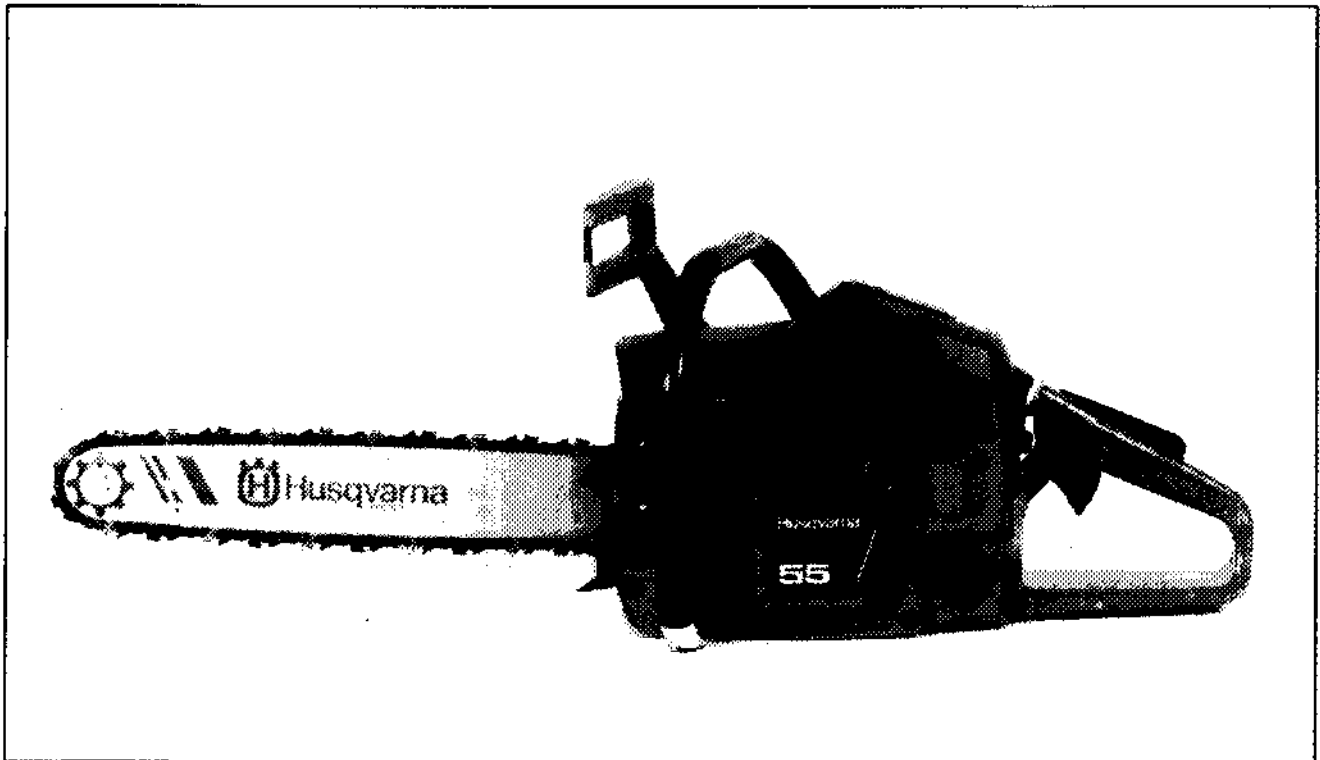


For Husqvarna Parts Call 606-678-9623 or 606-561-4983



SERVICE 		11
		SX 90.130

51/55



2.1990

Spare parts

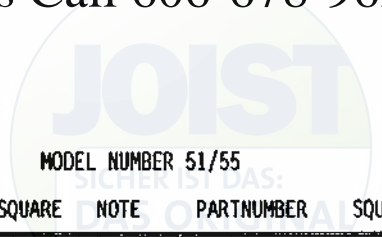
Ersatzteile

Pièces détachées

Repuestos

Reservdelar

807 30 1900



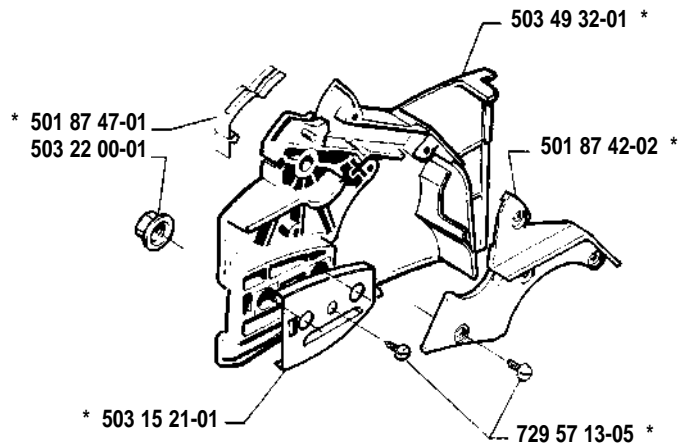
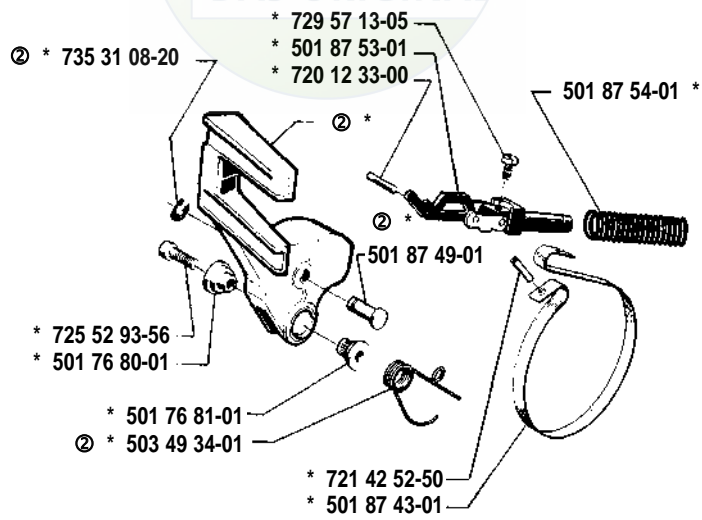
MODEL NUMBER 51/55

PARTNUMBER	SQUARE	NOTE	PARTNUMBER	SQUARE	NOTE	PARTNUMBER	SQUARE	NOTE	PARTNUMBER	SQUARE	NOTE
501 22 65-01	N		502 10 30-01	M		503 57 42-01	M				
501 45 16-01	C,G		502 10 32-01	M		503 57 50-01	E				
501 45 27-01	J		502 10 35-01	M		503 57 89-01	E,J				N
501 45 41-01	J		502 11 44-01	M		503 59 46-02	K				
501 45 54-03	H		502 71 27-01	N		503 60 81-01	C	(55)			
501 45 61-01	H		503 08 46-01	E		503 60 82-01	D				
501 45 74-02	H		503 08 87-02	H		503 60 83-01	D				
501 46 69-01	M		503 08 97-02	K		503 60 83-02	D,O				
501 46 84-01	M		503 09 79-04	E		503 60 84-01	D				
501 46 87-01	M		503 10 16-01	H		503 60 86-01	L				
501 48 54-02	K		503 10 23-01	C	1	503 60 87-01	L	(51)			
501 53 82-01	F		503 10 47-01	M		503 60 87-02	L	(55)			
501 54 63-01	J		503 10 49-02	H		503 60 88-03	L				
501 63 06-01	L		503 10 87-01	M		503 60 90-01	B	(51)			
501 63 97-01	D		503 15 21-01	A		503 60 90-02	B	(55)			
501 64 67-01	K		503 16 16-02	D		503 60 90-03	B	(51,US)			
501 66 61-01	M		503 16 21-03	C	1	503 60 90-04	B	(55,US)			
501 66 78-01	M		503 16 31-01	K		503 60 91-02	C	(55)			
501 69 17-01	N		503 16 83-01	C	(51)	504 13 08-07	M				
501 76 13-09	E		503 20 00-04	D,H,J,L		504 13 08-08	M				
501 76 18-02	C,D,J	1	503 20 00-05	C,J		504 13 09-06	M				
501 76 22-02	J		503 20 00-20	J		504 21 00-49	M				
501 76 30-03	J		503 20 55-20	K		504 21 00-50	M				
501 76 31-01	L		503 20 64-12	D		504 21 73-03	K				
501 76 32-01	H		503 21 11-03	F		504 35 09-05	M				
501 76 37-01	H		503 21 12-01	B		504 52 30-02	H				
501 76 39-02	E		503 21 14-02	E		505 22 09-37	J				
501 76 44-03	J		503 21 14-05	E	N	505 27 57-19	J				
501 76 56-02	J		503 21 14-06	E		505 30 36-94	H				
501 76 64-03	J		503 21 32-16	L		505 30 37-35	L				
501 76 66-02	F		503 21 32-45	D		505 30 51-25	L				
501 76 71-01	F		503 21 82-02	F		505 31 07-51	D				
501 76 80-01	A		503 22 00-01	A		505 31 67-17	M				
501 76 81-01	A		503 22 10-11	K		505 31 67-54	M				
501 76 83-01	E		503 22 20-01	F		505 31 67-60	M				
501 76 88-01	F		503 22 62-01	J		505 31 67-82	M				
501 77 00-02	D	1	503 23 00-35	L		505 31 72-16	H				
501 77 11-01	D		503 23 01-01	K		505 38 13-07	N				
501 77 21-02	O		503 23 01-05	H		505 52 01-10	M				
501 77 76-01	H		503 23 51-08	C		505 52 01-25	M				
501 77 80-02	E		503 25 34-01	H		505 52 01-27	M				
501 79 50-01	J		503 26 30-11	E		506 02 72-01	K				
501 79 84-01	F		503 28 15-04	D,M		506 02 80-01	M				
501 79 90-01	F		503 28 90-11	C	(51)	506 02 82-01	M				
501 79 91-01	F		503 28 90-28	C	(55)	720 12 33-00	A				
501 81 96-02	E		503 40 47-01	E		720 13 14-20	E				
501 83 93-02	J		503 41 22-01	K		721 12 10-40	H				
501 87 29-03	E	N	503 44 32-01	E		721 42 12-26	E				
501 87 31-01	E		503 45 39-01	H		721 42 30-50	J				
501 87 42-02	A		503 49 32-01	A		721 42 52-50	A				
501 87 43-01	A		503 49 34-01	A		723 23 29-85	L				N
501 87 47-01	A		503 49 81-01	A		725 52 93-56	A				
501 87 49-01	A		503 50 44-02	C	(51)	729 22 75-05	K				
501 87 53-01	A		503 51 55-01	M		729 57 13-05	A				
501 87 54-01	A		503 52 27-01	M	N	735 31 08-20	A				
501 87 77-02	E		503 54 10-01	E		737 44 10-00	C				N
501 87 84-03	A		503 54 39-01	L		738 22 02-25	G				
502 10 21-01	M		503 56 34-01	M		740 44 05-00	J				
502 10 28-01	M		503 57 02-01	M							
502 10 29-01	M		503 57 38-02	G							

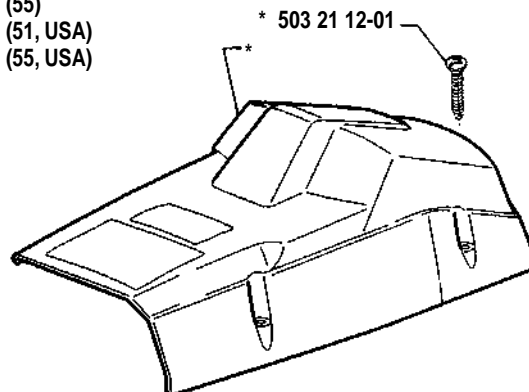
1 = 501 76 18-02
 SET OF GASKETS
 DICHTUNGSSATZ
 JEU DE JOINTS
 JUEGO DE JUNTAS
 PACKINGSSATS

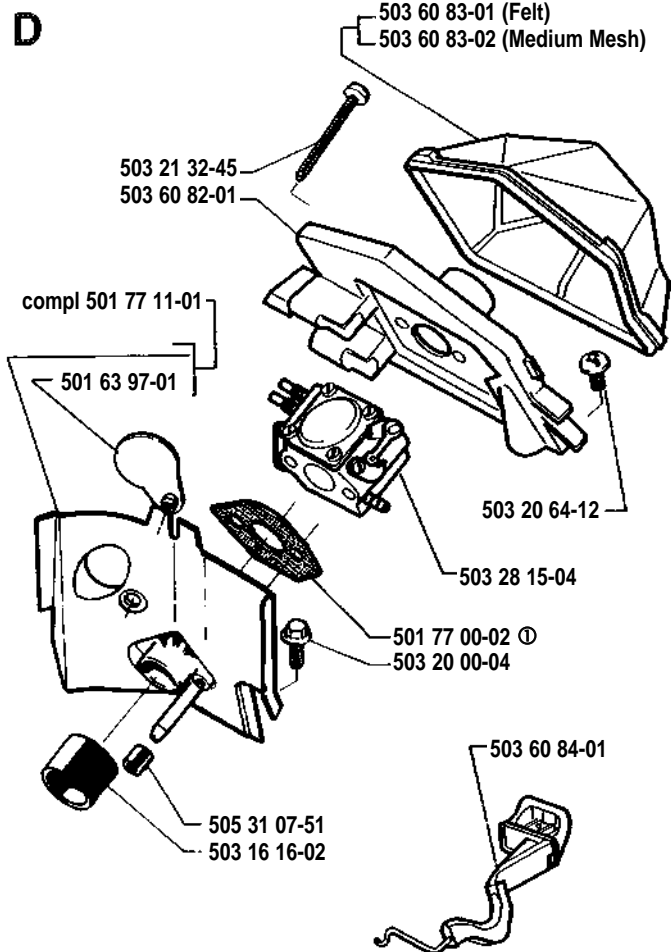
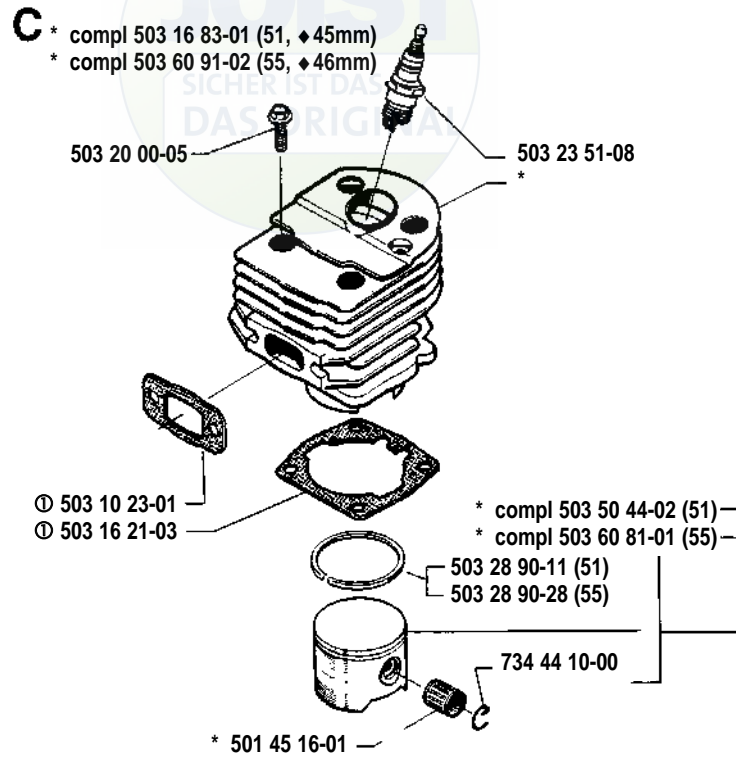
N = NEW PART
 NEUES TEIL
 NOUVELLE PIECE
 NUEVA PIEZA
 NY DETALJ

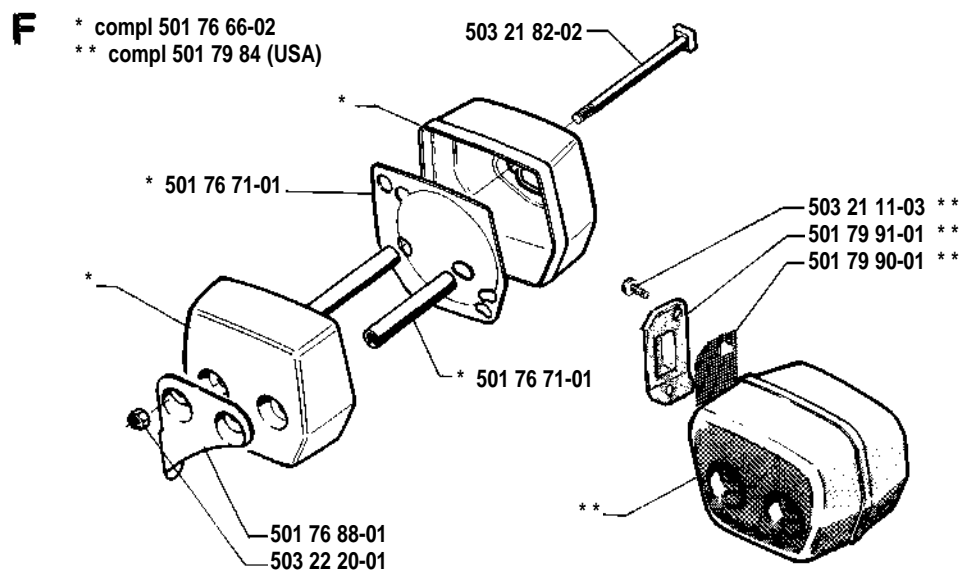
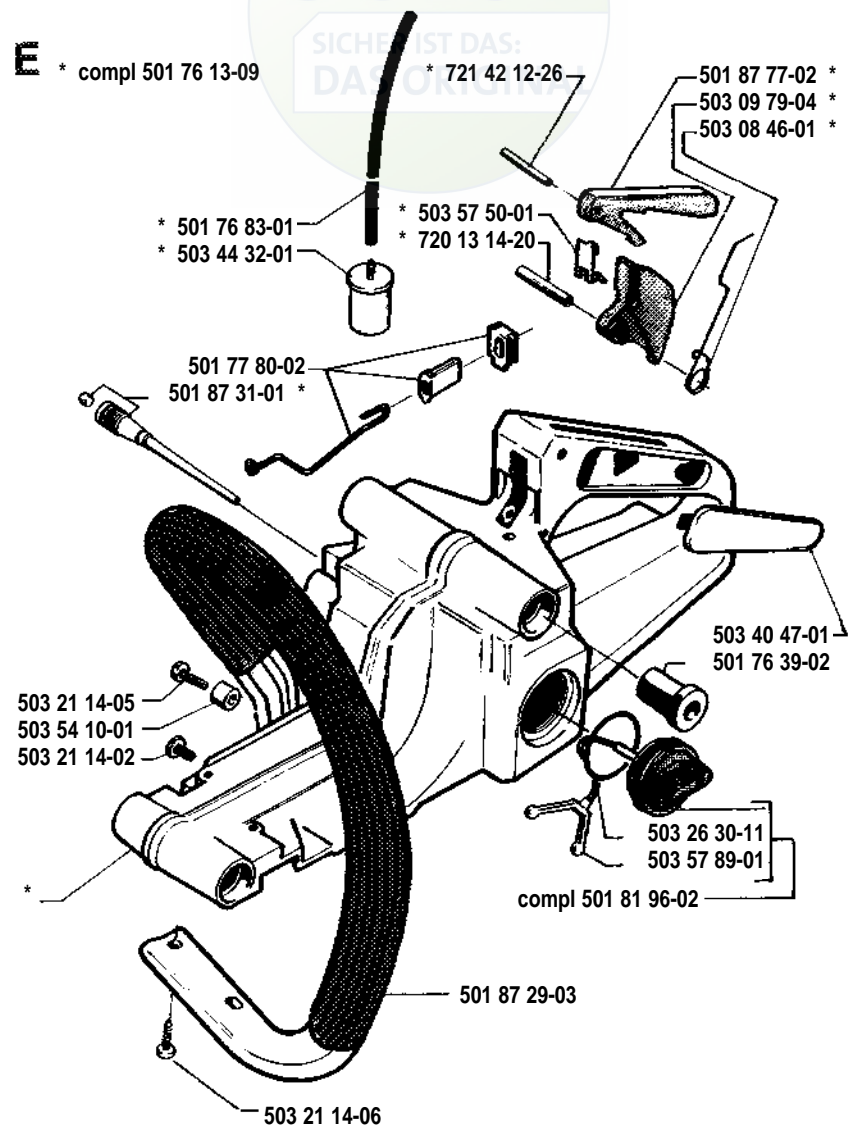
A * compl 503 49 81-01
 ② compl 501 87 84-03



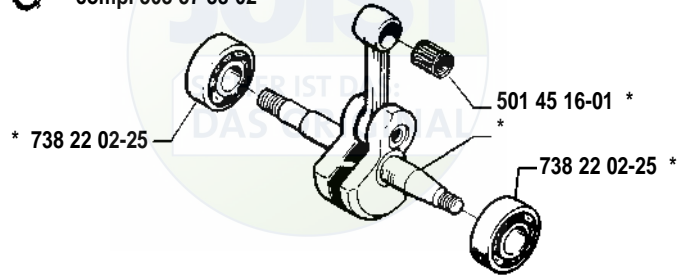
B * compl 503 60 90-01 (51)
 * compl 503 60 90-02 (55)
 * compl 503 60 90-03 (51, USA)
 * compl 503 60 90-04 (55, USA)



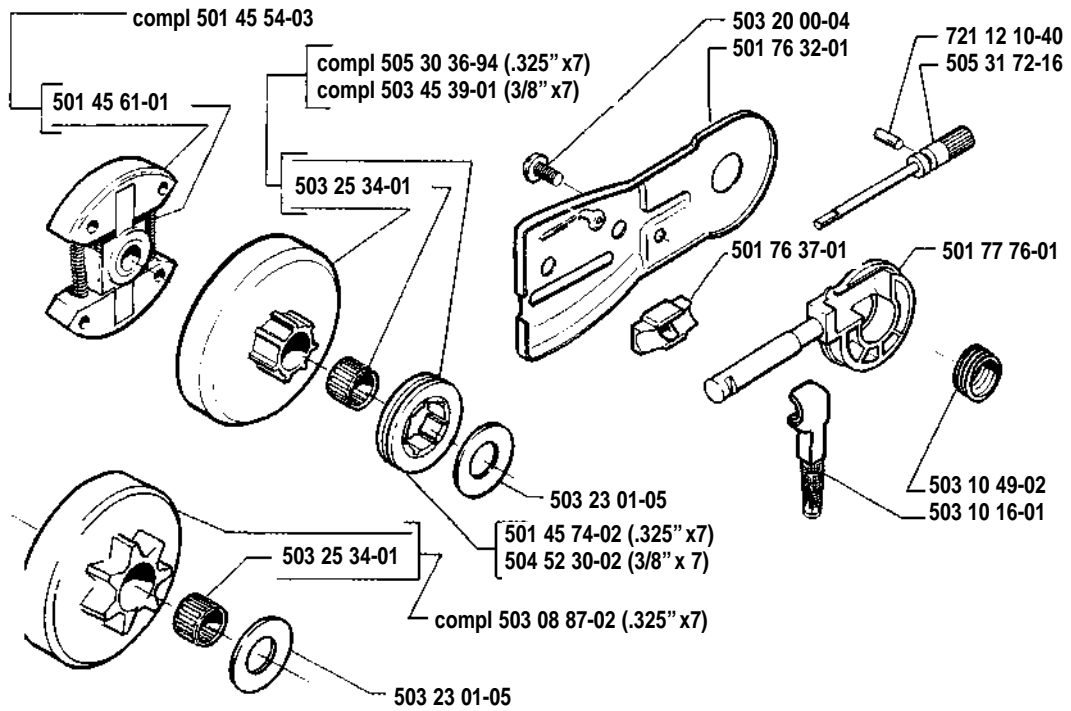




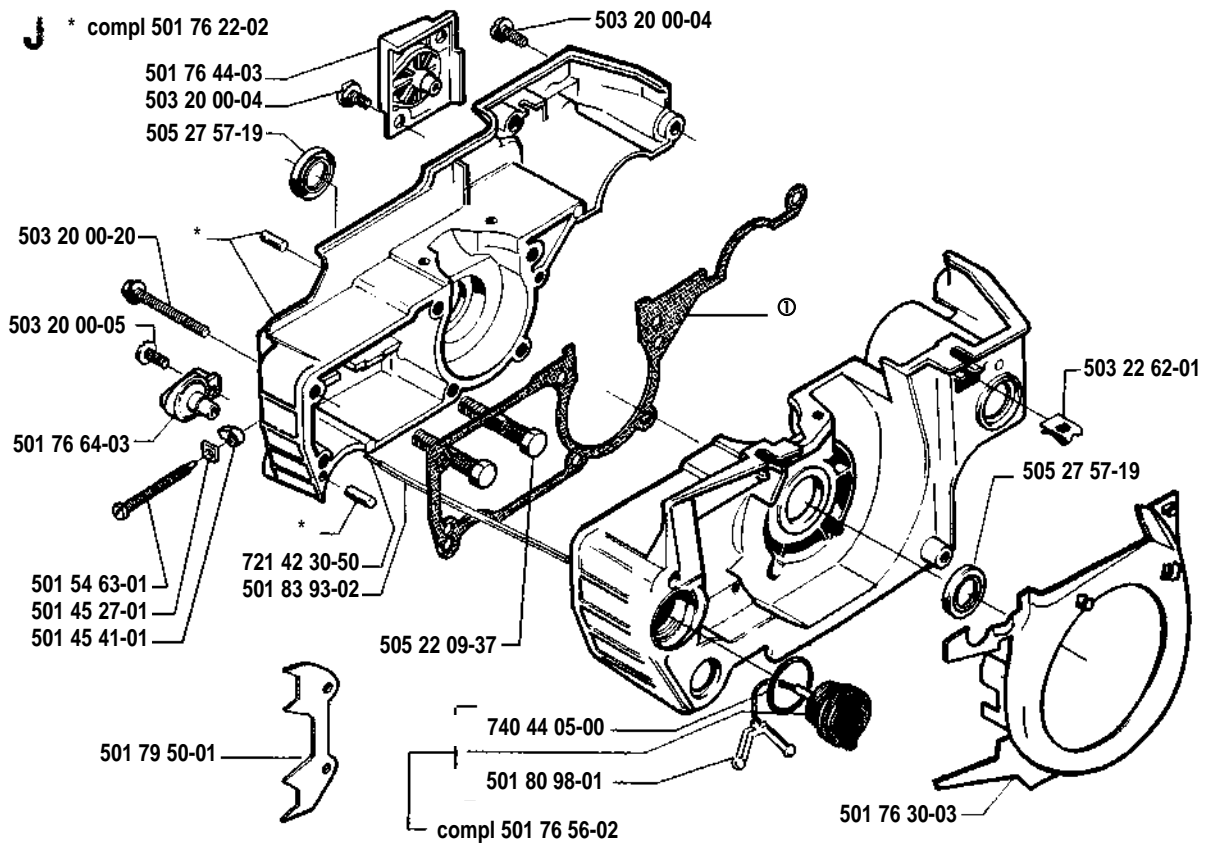
G * compl 503 57 38-02

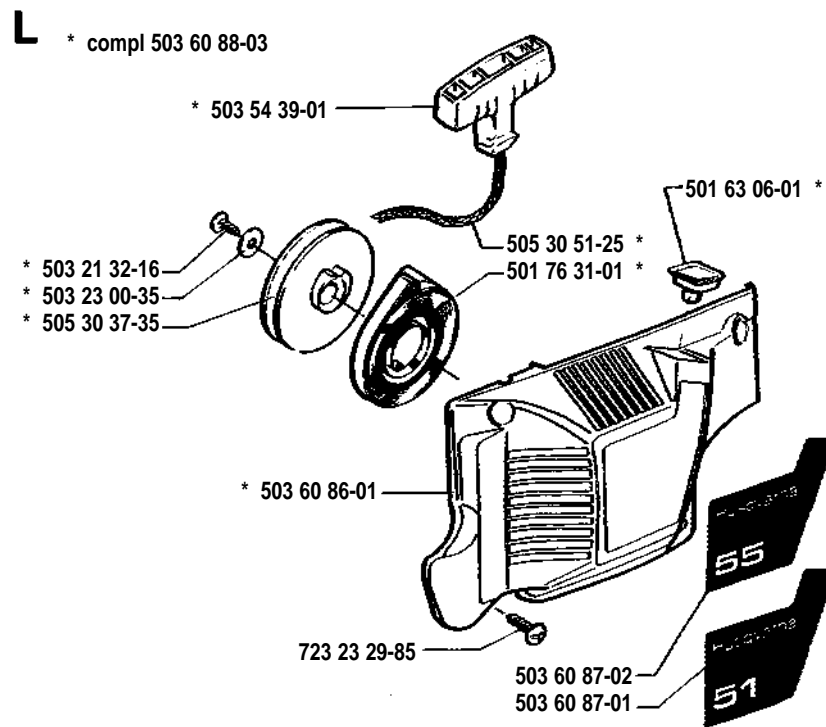
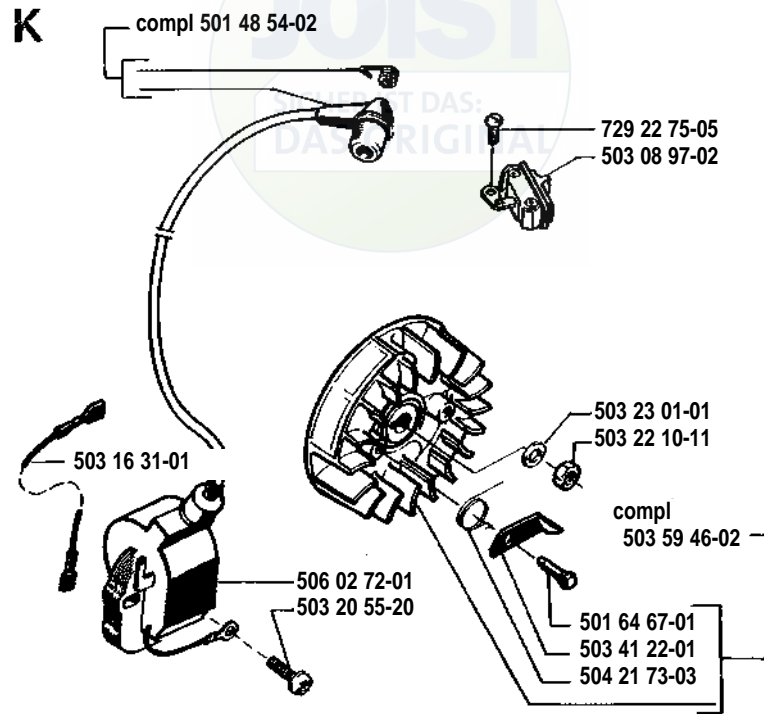


H

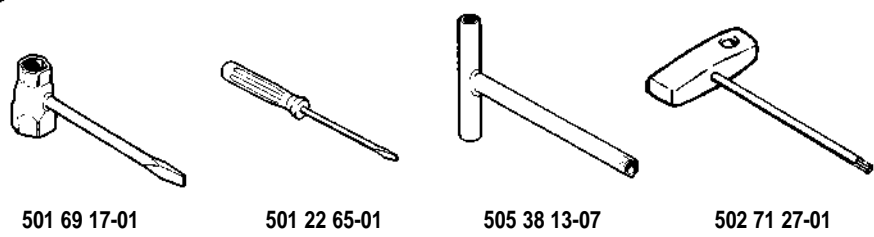


J





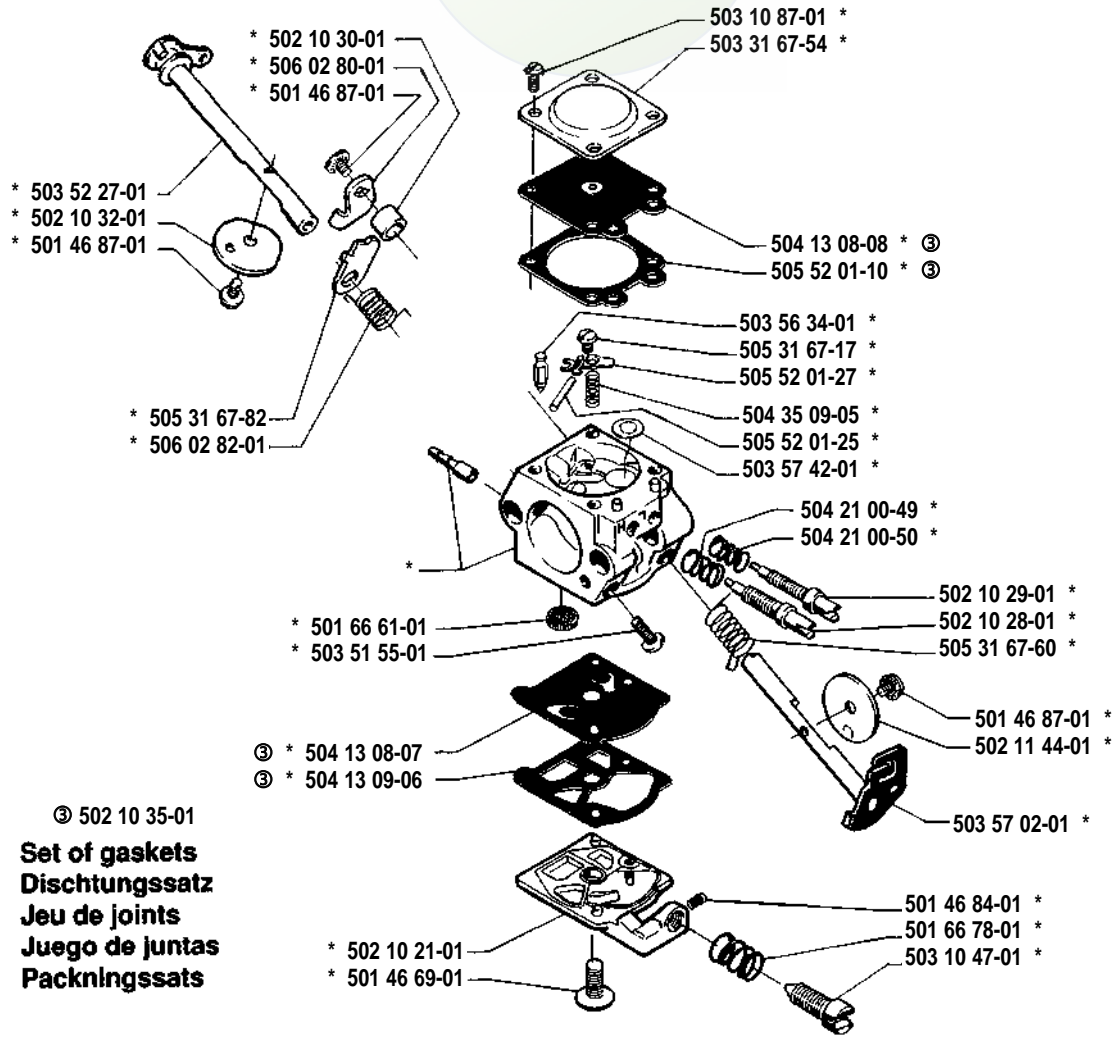
N Accessories
Accessoires
Zubehöre
Tillbehör





Walbro WT 170

M * compl 503 28 15-04



O * compl 501 77 21-02

Winter equipment
Winterausrüstung
Equipment d'hiver
Vintersats

