

For Husqvarna Parts Call 606-678-9623 or 606-561-4983

**H** Husqvarna

SERVICE



15

SICHER IST DAS  
DAS ORIGINAL

# 40<sub>B</sub>



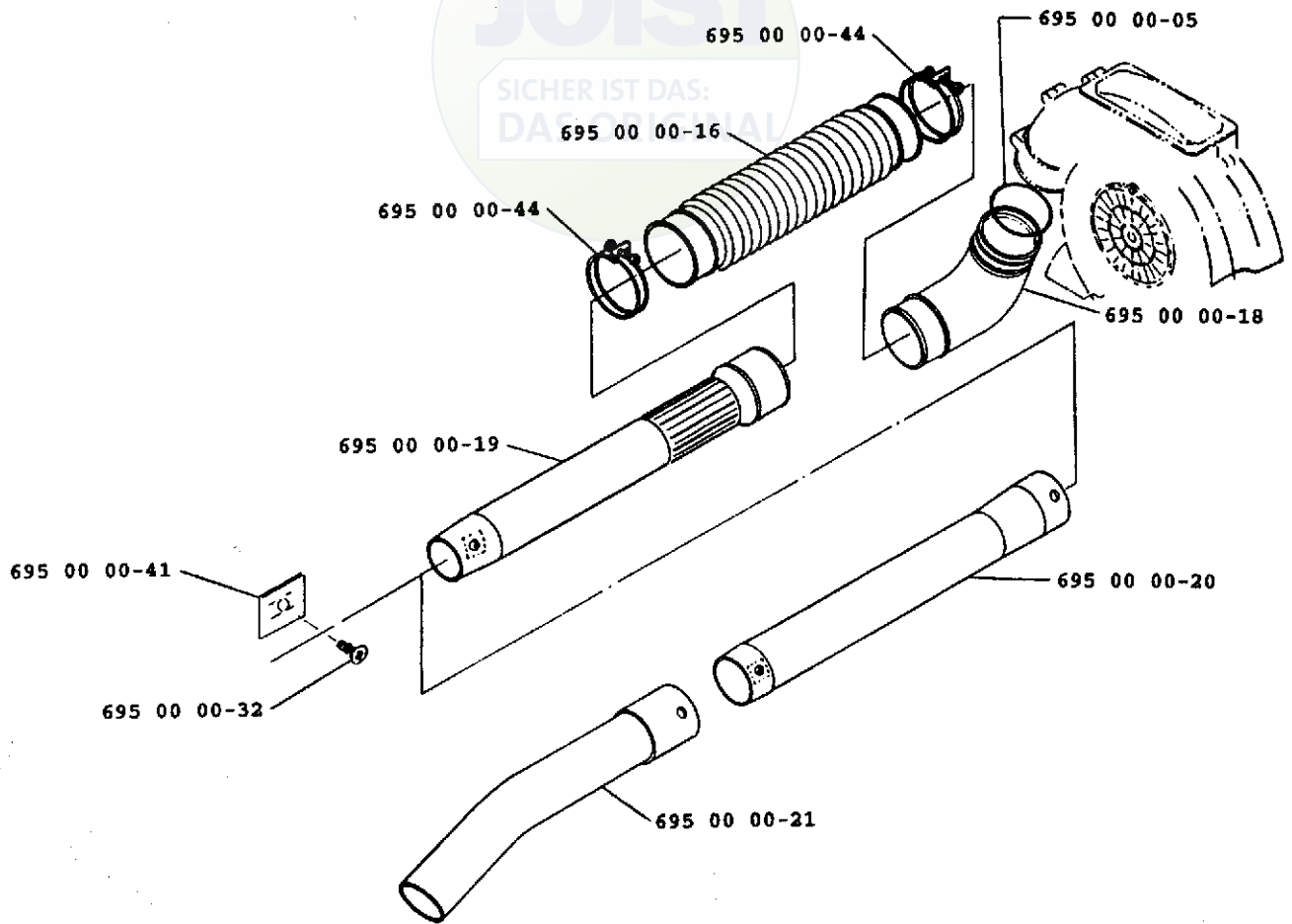
**12 1991**  
**Spare parts**

**Pièces de rechange**

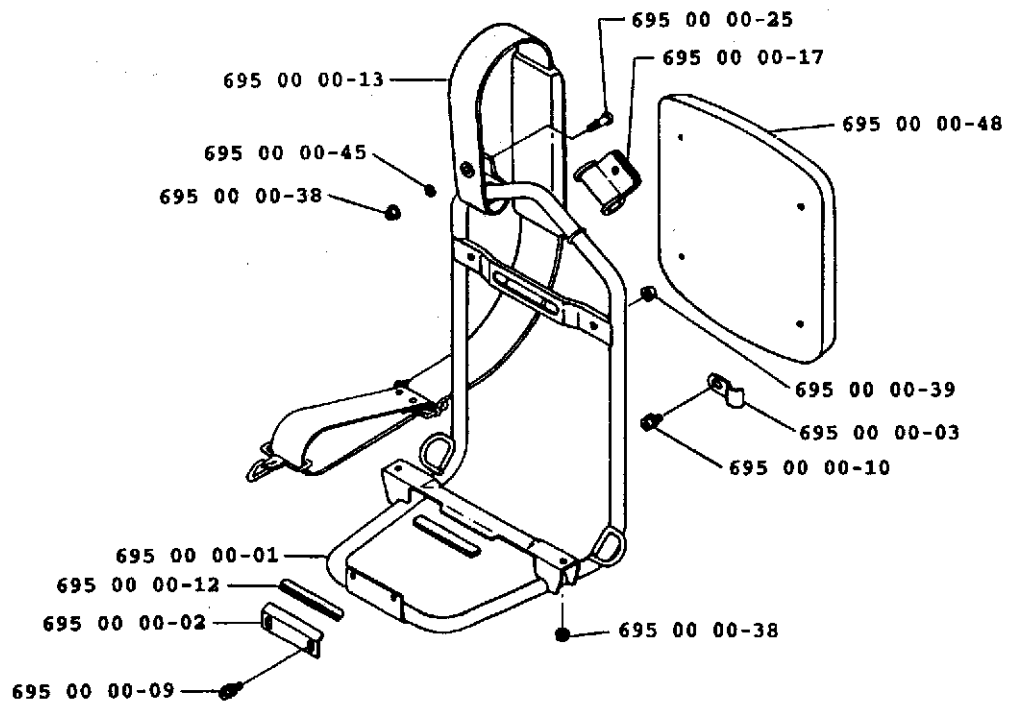
[www.mymowerparts.com](http://www.mymowerparts.com)

531 0300-22  
REG. I 744  
7-6

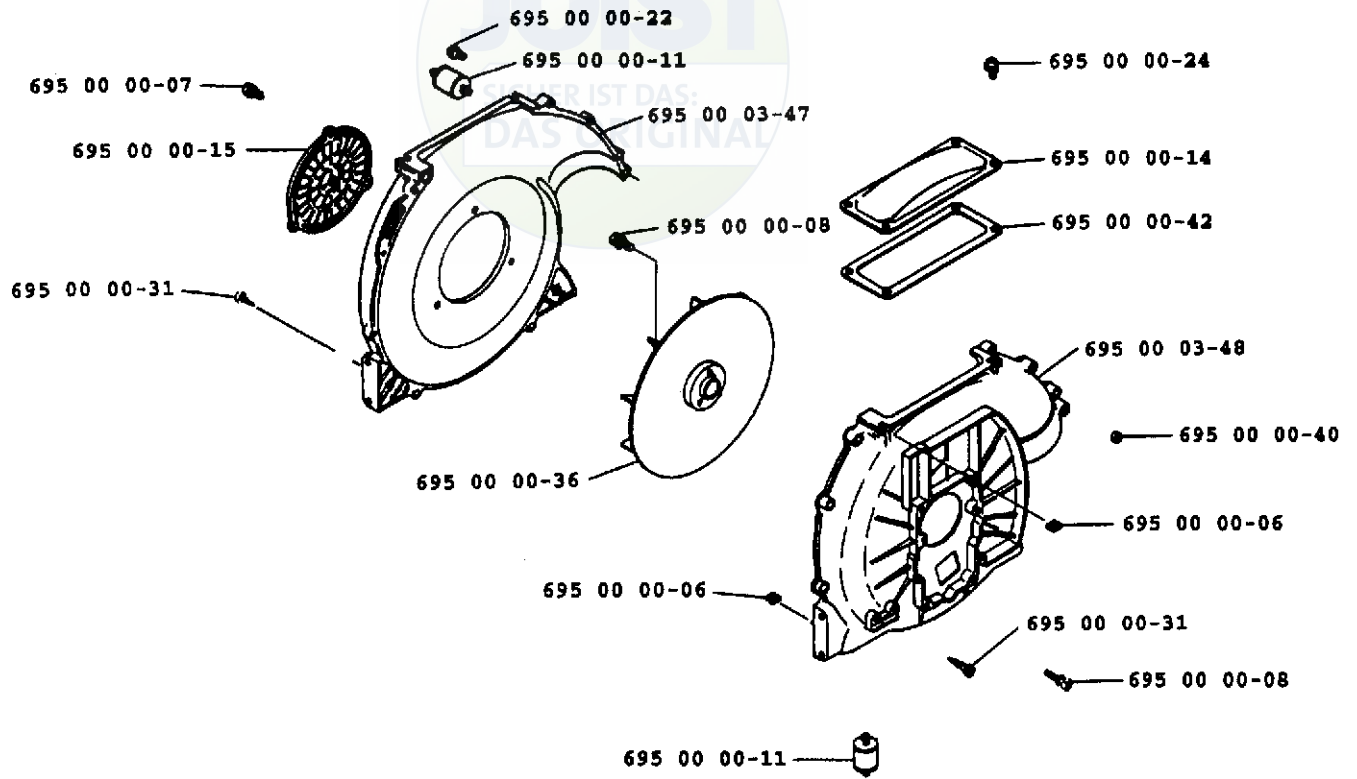
**A**



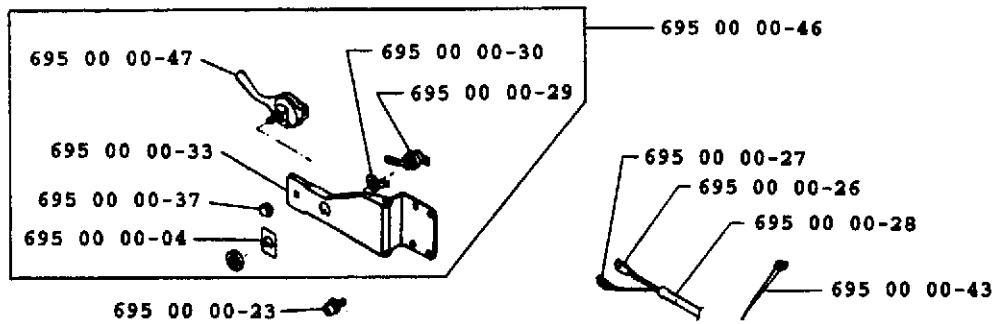
**B**



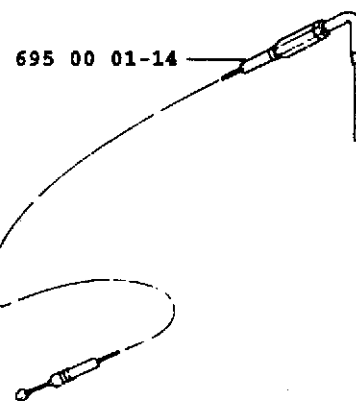
C



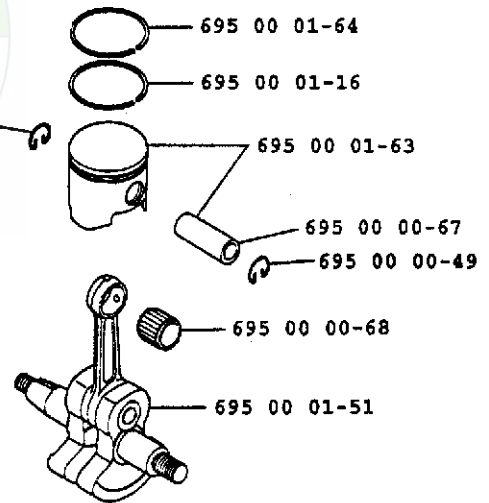
D



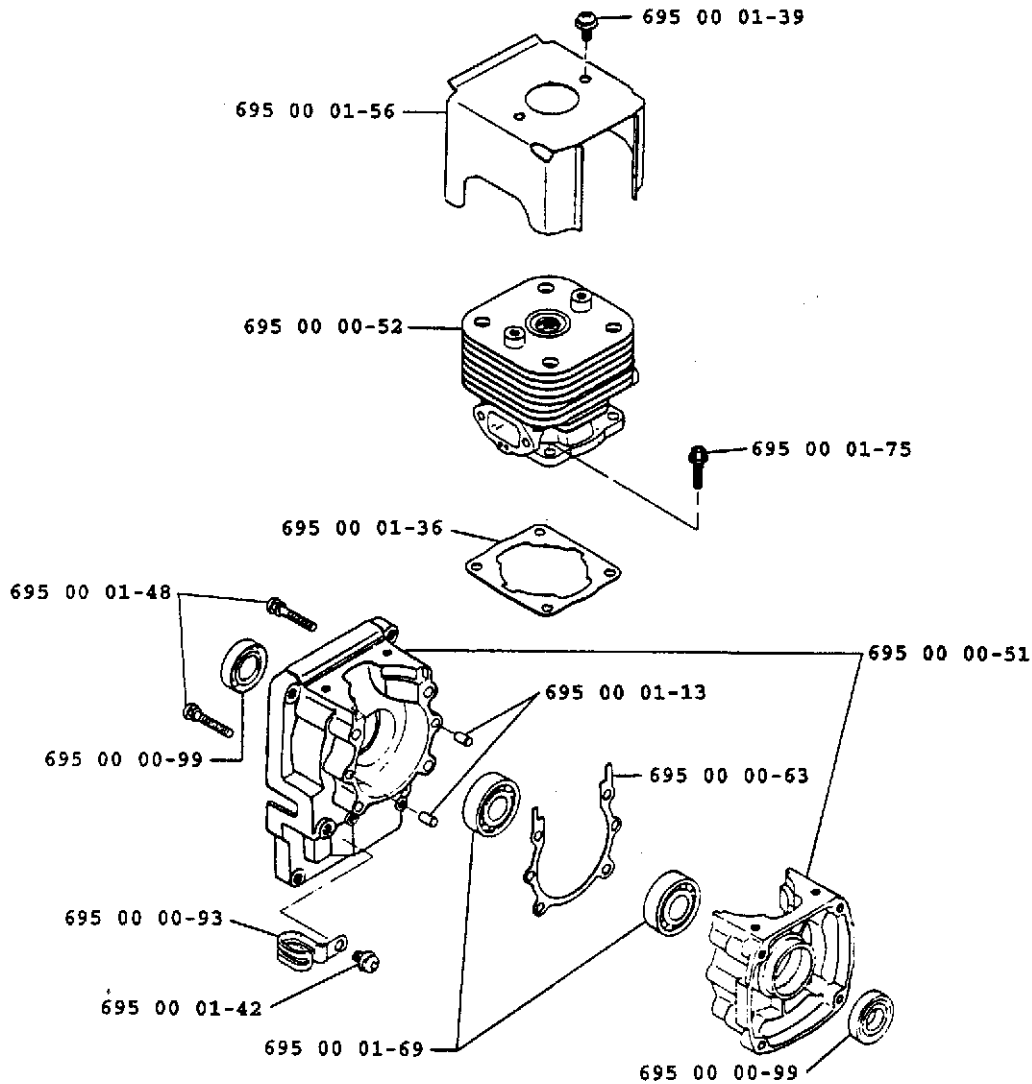
E



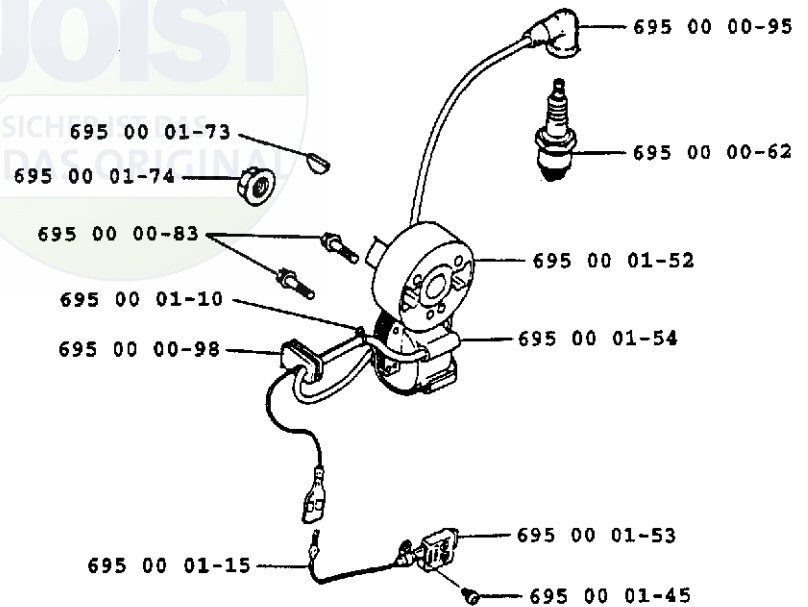
F



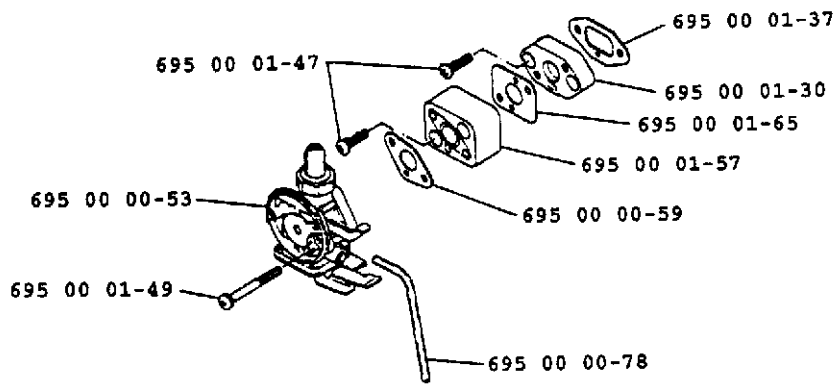
G



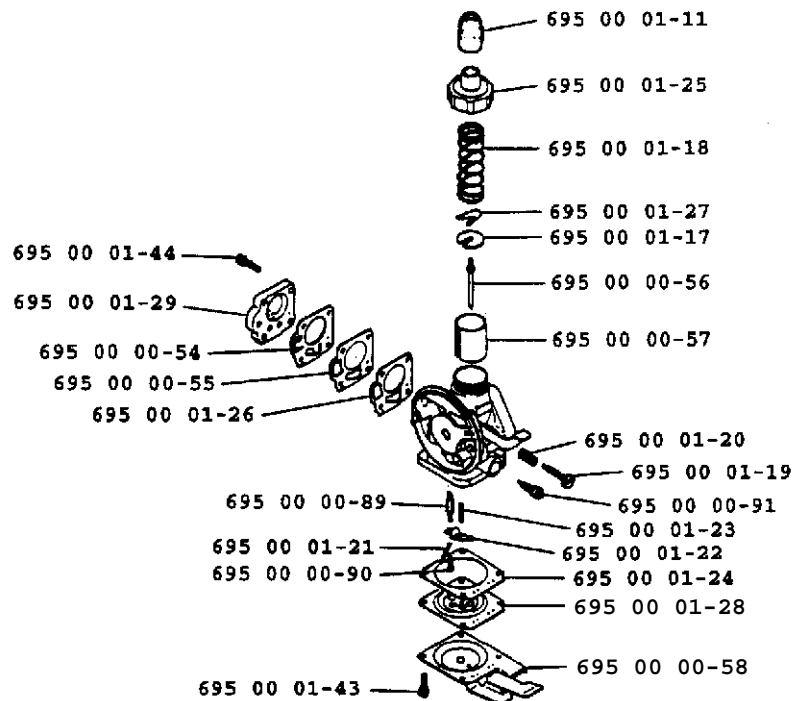
H



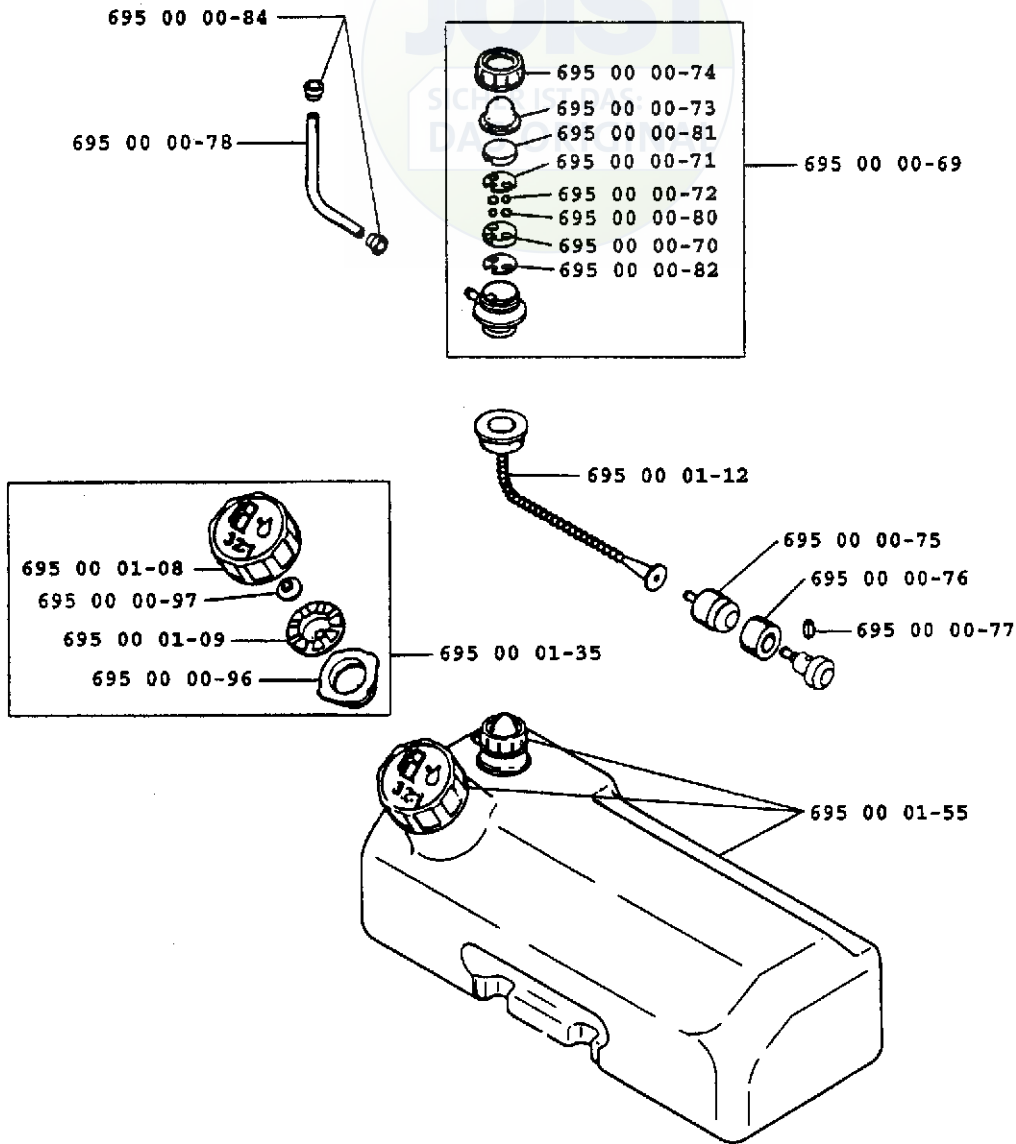
I



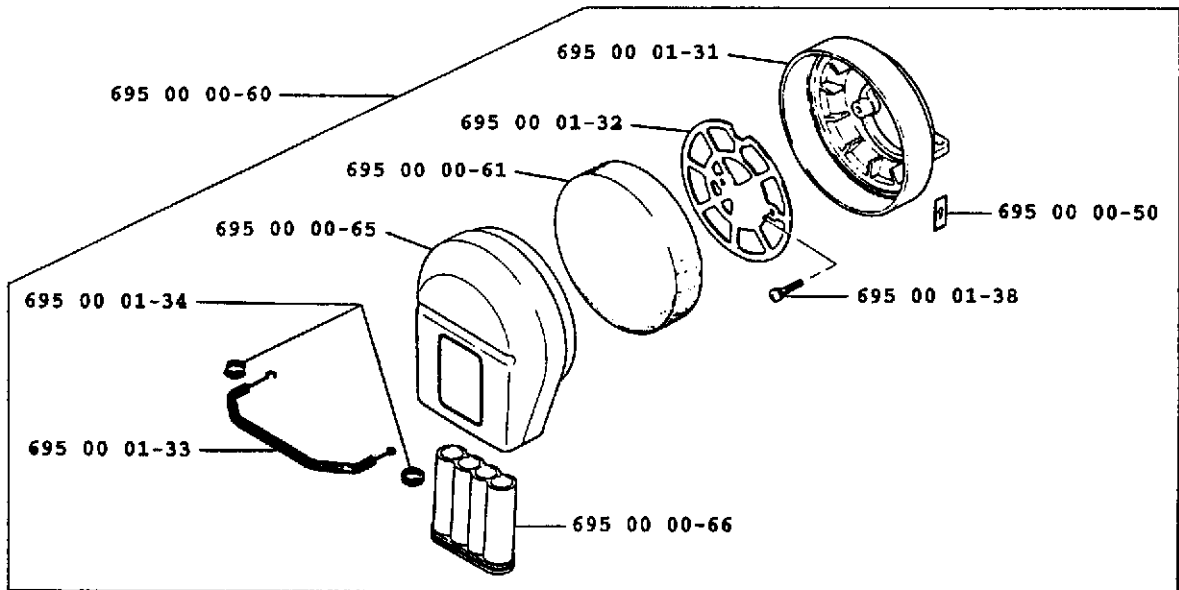
J



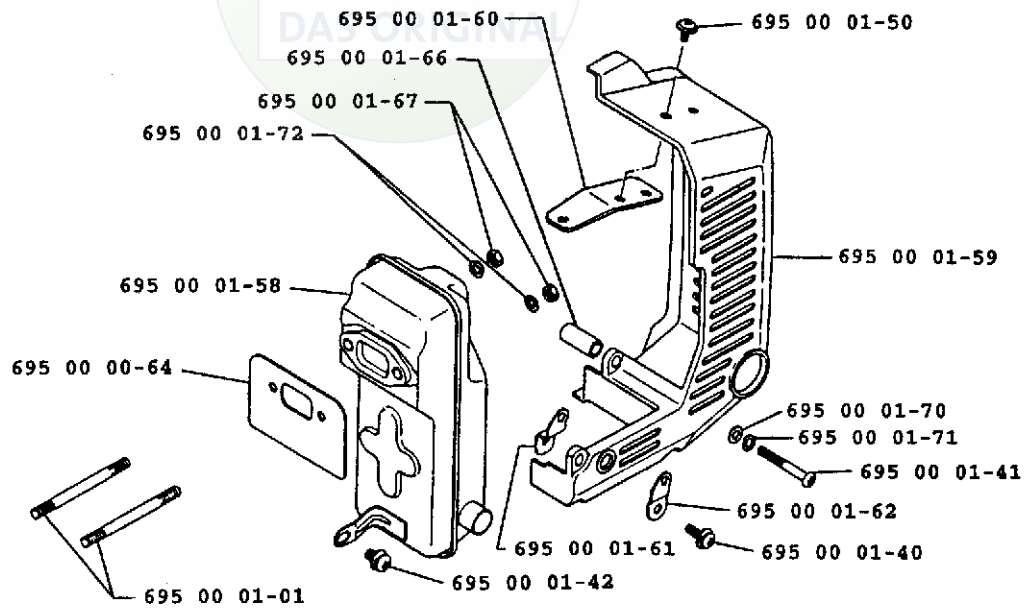
**K**



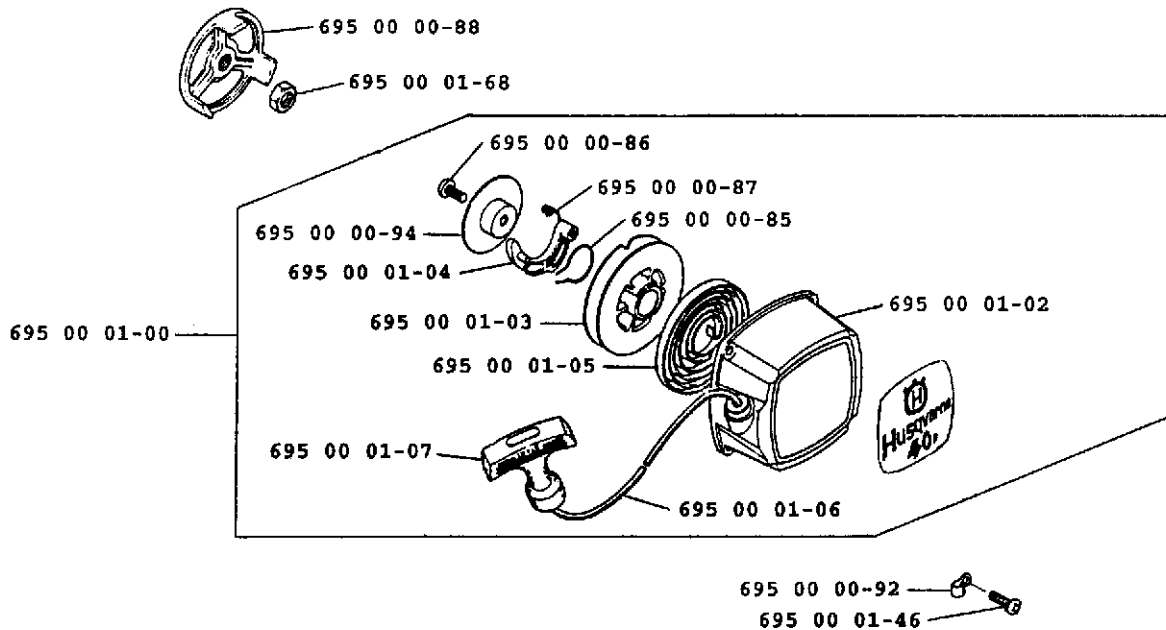
**L**



M



N



PART NUMBER	SQ.	DESCRIPTION	PART NUMBER	SQ.	DESCRIPTION	PART NUMBER	SQ.	DESCRIPTION
695 00 00-01	B	KNAPSACK FRAME	695 00 00-53	I	CARBURETOR	695 00 01-04	N	RATCHET
695 00 00-02	B	TANK	695 00 00-54	J	DIAPHRAGM	695 00 01-05	N	SPRING
695 00 00-03	B	PAD FITTING	695 00 00-55	J	CHECK VALVE	695 00 01-06	N	STARTER ROPE
695 00 00-04	D	PLATE	695 00 00-56	J	JET NEEDLE	695 00 01-07	N	STARTER HANDLE
695 00 00-05	A	O RING	695 00 00-57	J	THROTTLE VALVE	695 00 01-08	K	FUEL TANK CAP
695 00 00-06	C	NUT	695 00 00-58	J	COVER	695 00 01-09	K	HOLDER
695 00 00-07	C	BOLT	695 00 00-59	I	GASKET	695 00 01-10	H	BAND
695 00 00-08	C	BOLT	695 00 00-60	L	AIR FILTER ASSY.	695 00 01-11	J	CAP
695 00 00-09	B	BOLT	695 00 00-61	L	ELEMENT	695 00 01-12	K	SUCTION HOSE
695 00 00-10	B	BOLT	695 00 00-62	H	SPARK PLUG	695 00 01-13	G	DOWEL PIN
695 00 00-11	C	ANTI-VIBE MOUNT	695 00 00-63	G	CRANKCASE GSKT	695 00 01-14	E	THROTTLE CABLE
695 00 00-12	B	ABSORBER	695 00 00-64	M	MUFFLER GSKT	695 00 01-15	H	LEAD WIRE
695 00 00-13	B	HARNESS	695 00 00-65	L	CLEANER COVER	695 00 01-16	F	TOP RING
695 00 00-14	C	COVER	695 00 00-66	L	CAP	695 00 01-17	J	RETAINER
695 00 00-15	C	FAN COVER	695 00 00-67	F	PISTON PIN	695 00 01-18	J	SPRING
695 00 00-16	A	FLEX PIPE	695 00 00-68	F	NEEDLE BEARING	695 00 01-19	J	SCREW
695 00 00-17	B	BAND SUPPORT	695 00 00-69	K	PRIMING PUMP	695 00 01-20	J	SPRING
695 00 00-18	A	ELBOW PIPE	695 00 00-70	K	GASKET	695 00 01-21	J	LEVER PIN
695 00 00-19	A	BASE PIPE	695 00 00-71	K	GASKET	695 00 01-22	J	FUEL INLET LEVER
695 00 00-20	A	MIDDLE PIPE	695 00 00-72	K	BALL	695 00 01-23	J	SPRING
695 00 00-21	A	BEND PIPE	695 00 00-73	K	CAP	695 00 01-24	J	GASKET
695 00 00-22	C	SCREW	695 00 00-74	K	CAP	695 00 01-25	J	COVER
695 00 00-23	D	SCREW	695 00 00-75	K	FUEL FILTER	695 00 01-26	J	GASKET
695 00 00-24	C	SCREW	695 00 00-76	K	FELT	695 00 01-27	J	CLIP
695 00 00-25	B	TRUSS SCREW	695 00 00-77	K	SPONGE	695 00 01-28	J	DIAPHRAGM
695 00 00-26	D	LEAD WIRE	695 00 00-78	K	FUEL HOSE	695 00 01-29	J	PUMP COVER
695 00 00-27	D	EARTH WIRE	695 00 00-80	K	SPONGE	695 00 01-30	I	FLANGE
695 00 00-28	D	TUBE	695 00 00-81	K	GASKET	695 00 01-31	L	CLEANER CASE
695 00 00-29	D	STOP SWITCH	695 00 00-82	K	GASKET	695 00 01-32	L	GRID
695 00 00-30	D	EARTH PLATE	695 00 00-83	H	BOLT & WASHER	695 00 01-33	L	SPRING
695 00 00-31	C	SCREW	695 00 00-84	K	CLIP	695 00 01-34	L	SPRING
695 00 00-32	A	SCREW	695 00 00-85	N	FRICTION SPRING	695 00 01-35	K	FUEL TANK CAP ASSY
695 00 00-33	D	LEVER HOLDER	695 00 00-86	N	SCREW	695 00 01-36	G	CYINDER GASKET
695 00 00-36	C	FAN	695 00 00-87	N	RETURN SPRING	695 00 01-37	I	CARBURETOR GSKT
695 00 00-37	D	NUT	695 00 00-88	N	STARTER PULLEY	695 00 01-38	L	SCREW & WASHER
695 00 00-38	B	NUT	695 00 00-89	J	NEEDLE VALVE	695 00 01-39	G	SCREW & WASHER
695 00 00-39	B	NUT	695 00 00-90	J	SCREW	695 00 01-40	M	SCREW & WASHER
695 00 00-40	C	NUT	695 00 00-91	J	ADJ. SCREW	695 00 01-41	M	SCREW & WASHER
695 00 00-41	A	NUT	695 00 00-92	N	CLAMP	695 00 01-42	M	SCREW & WASHER
695 00 00-42	C	GASKET	695 00 00-93	G	CLAMP	695 00 01-43	J	SCREW & WASHER
695 00 00-43	D	WIRE BAND	695 00 00-94	N	FRICTION PLATE	695 00 01-44	J	SCREW & WASHER
695 00 00-44	A	HOSE BAND	695 00 00-95	H	SPARK PLUG CAP	695 00 01-45	H	SCREW & WASHER
695 00 00-45	B	WASHER	695 00 00-96	K	GASKET	695 00 01-46	N	SCREW & WASHER
695 00 00-46	D	LEVER HOLDER	695 00 00-97	K	BREATHER VALVE	695 00 01-47	I	SCREW & WASHER
695 00 00-47	D	THROTTLE LEVER	695 00 00-98	H	GROMMET	695 00 01-48	G	SCREW & WASHER
695 00 00-48	B	KNAPSACK PAD	695 00 00-99	G	OIL SEAL	695 00 01-49	I	SCREW & WASHER
695 00 00-49	F	PISTON PIN CLIP	695 00 01-00	N	STARTER ASSY.	695 00 01-50	M	SCREW & WASHER
695 00 00-50	L	CHOKE LABEL	695 00 01-01	M	BOLT	695 00 01-51	F	CRANKSHAFT ASSY.
695 00 00-51	G	CRANKCASE ASSY.	695 00 01-02	N	STARTER HOUSING	695 00 01-52	H	ROTOR
695 00 00-52	G	CYLINDER	695 00 01-03	N	REEL	695 00 01-53	H	IGNITION MODULE



PART NUMBER	SQ.	DESCRIPTION	NOTES
695 00 01-54	H	IGNITION COIL	
695 00 01-55	K	FUEL TANK ASSY.	
695 00 01-56	G	CYLINDER COVER	
695 00 01-57	I	INSULATOR	
695 00 01-58	M	MUFFLER ASSY.	
695 00 01-59	M	MUFFLER COVER	
695 00 01-60	M	BRACKET	
695 00 01-61	M	BRACKET	
695 00 01-62	M	BRACKET	
695 00 01-63	F	PISTON ASSEMBLY	
695 00 01-64	F	TOP RING	
695 00 01-65	I	GASKET	
695 00 01-66	M	PIPE	
695 00 01-67	M	NUT	
695 00 01-68	N	NUT	
695 00 01-69	G	BALL BEARING	
695 00 01-70	M	WASHER	
695 00 01-71	M	WASHER	
695 00 01-72	M	LOCK WASHER	
695 00 01-73	H	WOODRUFF KEY	
695 00 01-74	H	NUT	
695 00 01-75	G	FLANGE BOLT	
695 00 03-47	C	FAN CASE	
695 00 03-48	C	FAN CASE	

