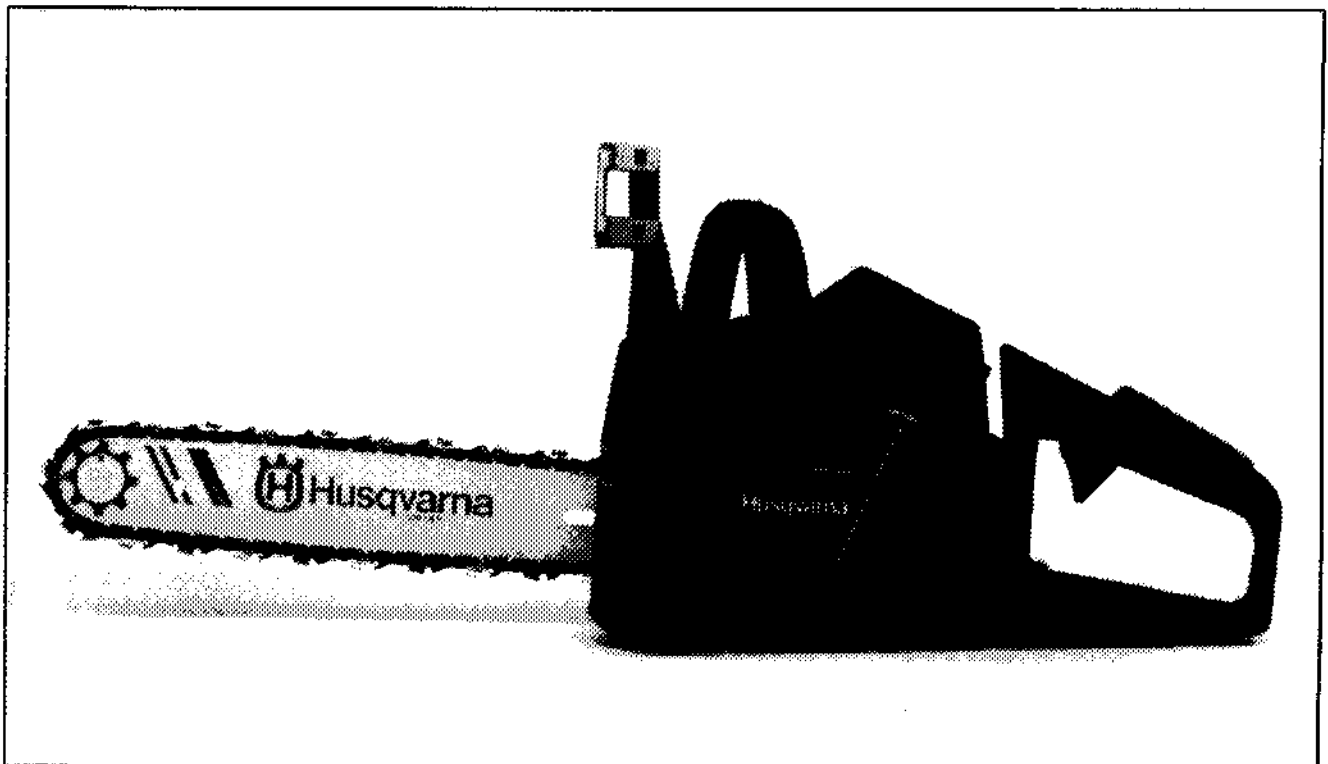


For Husqvarna Parts Call 606-678-9623 or 606-561-4983



SERVICE 		11
		SX 90.128

40



1.1990

Spare parts

Ersatzteile

Pièces détachées

Repuestos

Reservdelar

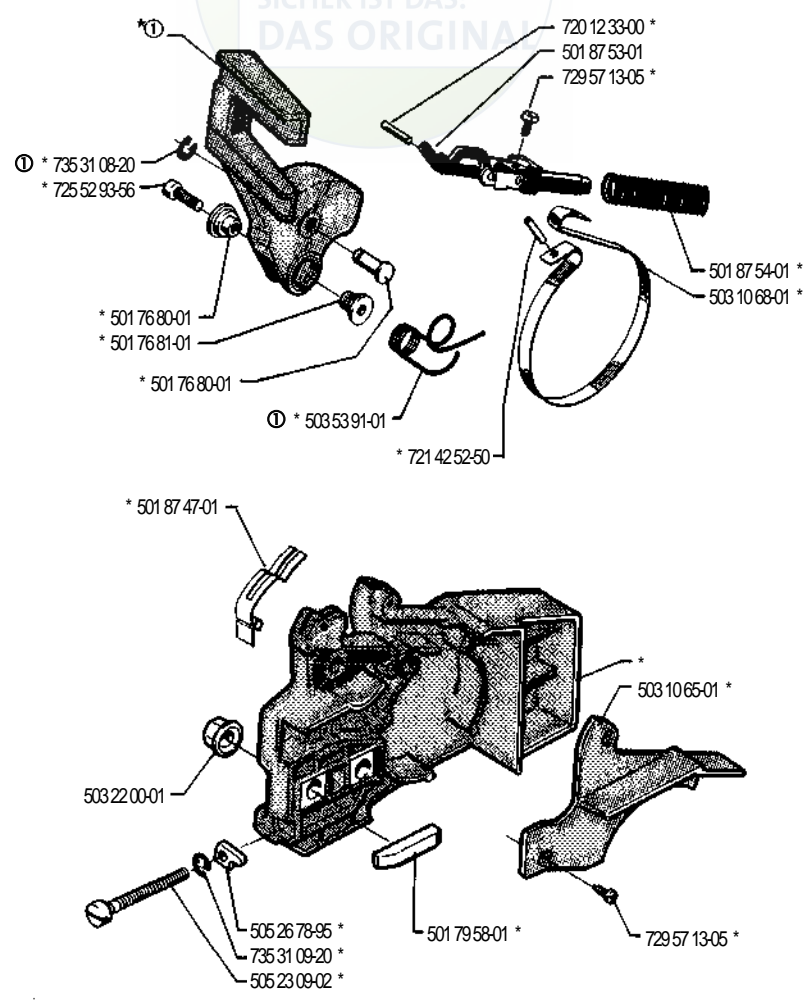
OCT 11 1990

MODEL NUMBER 40

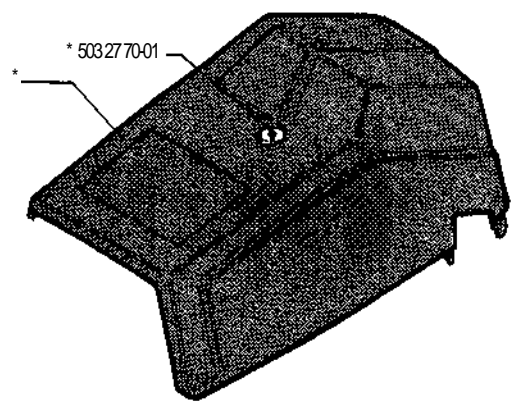
PARTNUMBER	SQUARE	NOTE	PARTNUMBER	SQUARE	NOTE	PARTNUMBER	SQUARE	NOTE	PARTNUMBER	SQUARE	NOTE
501 45 16-01	C,G		503 10 87-01	M		504 21 00-49	M				
501 46 69-01	M		503 11 92-02	E		504 21 00-50	N				
501 46 84-01	M		503 15 98-02	J		504 21 73-03	H				
501 46 87-01	M		503 17 31-01	J		504 35 09-05	M				
501 48 54-03	H		503 20 01-02	K		504 35 72-01	K				
501 52 78-01	D		503 20 55-20	H		505 23 09-02	A				
501 63 06-01	L		503 20 80-06	C		505 26 78-95	A				
501 64 67-01	H		503 21 32-16	DEHJKL		505 27 57-19	G				
501 66 61-01	M		503 21 32-45	D		505 30 51-25	L				
501 66 78-01	M		503 21 82-01	F		505 31 07-51	C,D				
501 69 17-01	N		503 22 00-01	A		505 31 67-17	M				
501 76 31-01	L		503 22 10-11	H		505 31 67-54	M				
501 76 80-01	A		503 22 20-01	F		505 31 67-82	M				
501 76 81-01	A		503 22 70-01	B		505 52 01-10	M				
501 76 83-18	K		503 23 00-35	L		505 52 01-25	M				
501 76 83-24	K		503 23 01-01	H		505 52 01-27	M				
501 77 00-02	D		503 23 01-05	J		506 01 06-07	C				
501 79 58-01	A		503 23 51-08	C		506 01 19-01	F				
501 87 47-01	A		503 25 34-01	J		506 01 20-01	F				
501 87 49-01	A		503 28 13-20	D,M		506 01 20-02	F				
501 87 53-01	A		503 28 90-03	C	N	506 01 30-01	K				
501 87 54-01	A		503 41 22-01	H		506 01 31-01	K				
502 10 21-01	M		503 41 31-01	D		506 01 32-02	D				
502 10 28-01	M		503 41 32-01	D	N	506 01 35-02	D				
502 10 29-01	M		503 41 32-03	D		506 01 37-01	H				
502 10 30-01	M		503 44 06-01	H		506 01 40-03	E				
502 10 31-01	M		503 44 32-01	K		506 01 44-02	E				
502 10 32-01	M		503 48 65-02	H		506 01 45-04	E				
502 10 35-01	M		503 48 90-01	C		506 01 46-01	E				
502 11 44-01	M		503 49 25-01	K		506 01 47-01	E				
502 11 94-01	M		503 49 82-02	K		506 01 49-01	N				
502 11 96-01	M		503 50 20-01	B	N	506 01 64-01	L				
502 11 97-01	M		503 50 52-02	E		506 02 39-01	J				
502 11 98-01	M		503 51 28-01	H		506 02 42-01	J				
502 71 27-01	M		503 53 91-01	A		506 02 75-05	K				
503 08 20-01	M		503 54 39-01	L	N	506 02 77-01	J				
503 10 16-01	J		503 56 34-01	M		506 02 80-01	M				
503 10 23-01	F		503 57 02-01	M		506 02 83-01	M				
503 10 47-01	M		503 57 38-02	G		506 03 16-04	K				
503 10 49-02	J		503 57 42-01	M		506 05 65-01	G				
503 10 52-02	D		503 58 05-01	H		720 12 33-00	A				
503 10 56-01	E		503 58 08-01	H		721 42 52-50	A				
503 10 57-01	E		503 59 46-04	H		725 52 93-56	A				
503 10 59-04	L		503 59 51-01	F		725 53 29-55	E				
503 10 60-01	L		503 59 51-02	F		729 57 13-05	A				
503 10 61-01	B		503 61 12-01	K		735 31 08-20	A				
503 10 63-01	A		504 13 08-07	M		735 31 09-20	A				
503 10 65-01	A		504 13 08-08	M		737 44 10-00	C	N			
503 10 66-02	A		504 13 09-06	M		738 22 02-25	G				
503 10 68-01	A		504 18 44-01	J							
503 10 69-02	K		504 21 00-16	J							

N-NEW PART
 NEUES TEIL
 NOUVELLE PIECE
 NUEVA PIEZA
 NY DETALJ

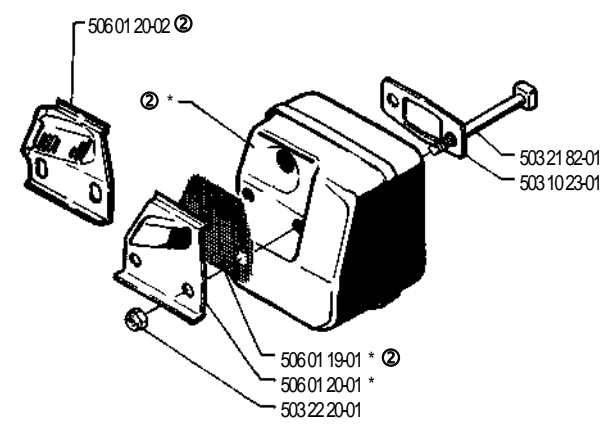
A * compl 503 10 63-01
 ① compl 503 10 66-02

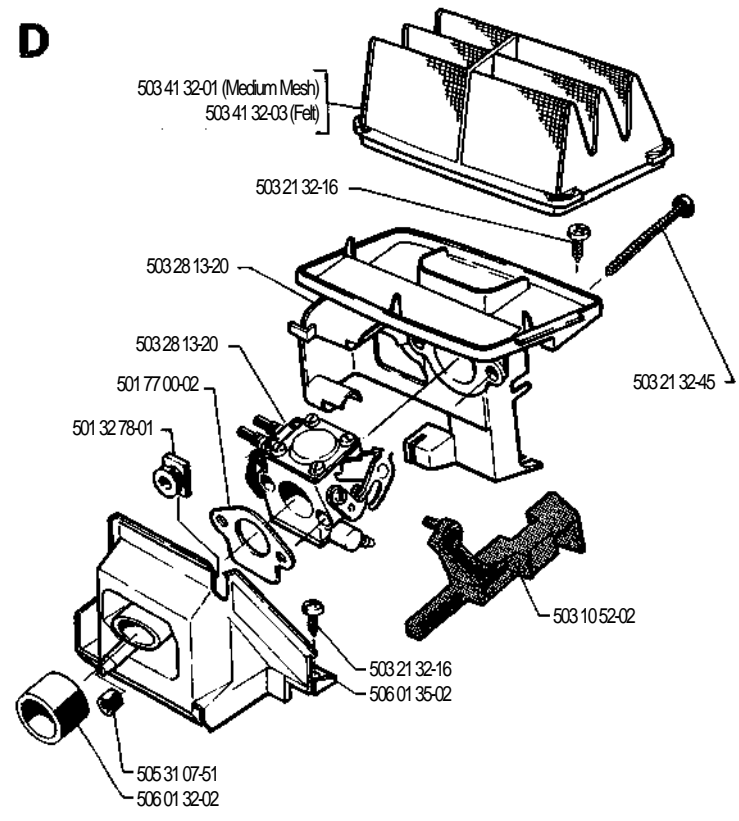
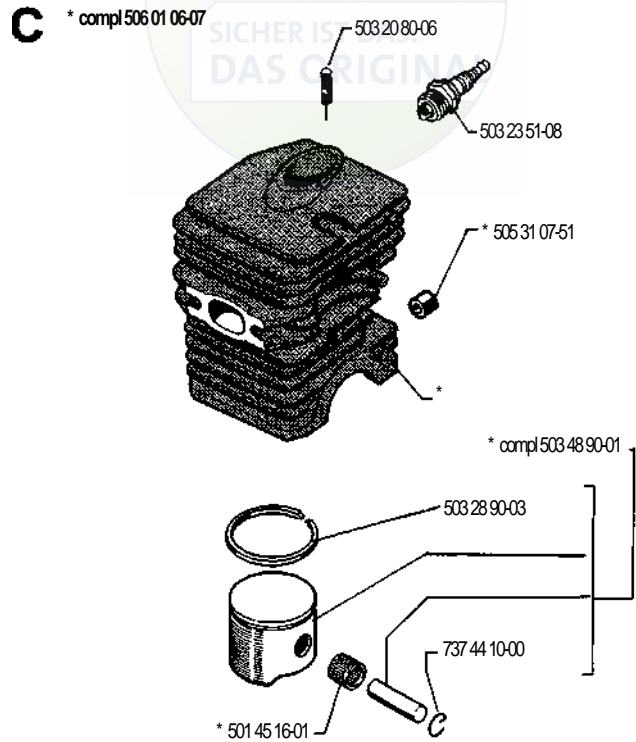


B * compl 503 10 61-01
 * compl 503 50 20-01 (USA)

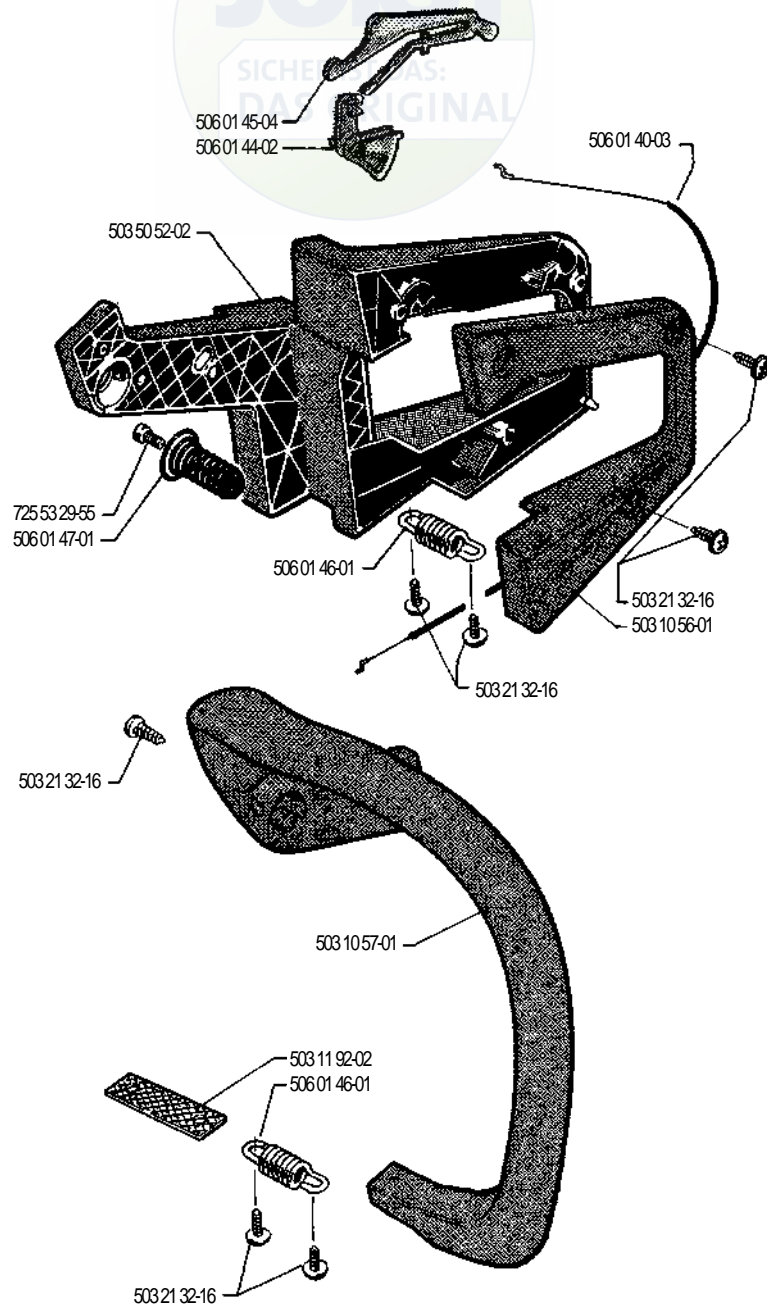


F * compl 503 59 51-01
 ② compl 503 59 51-02 (USA)

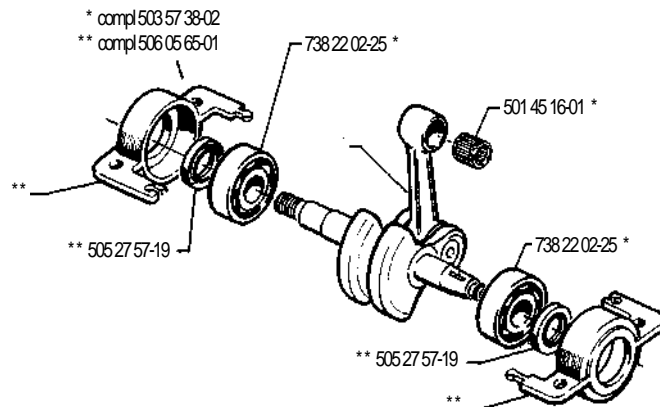




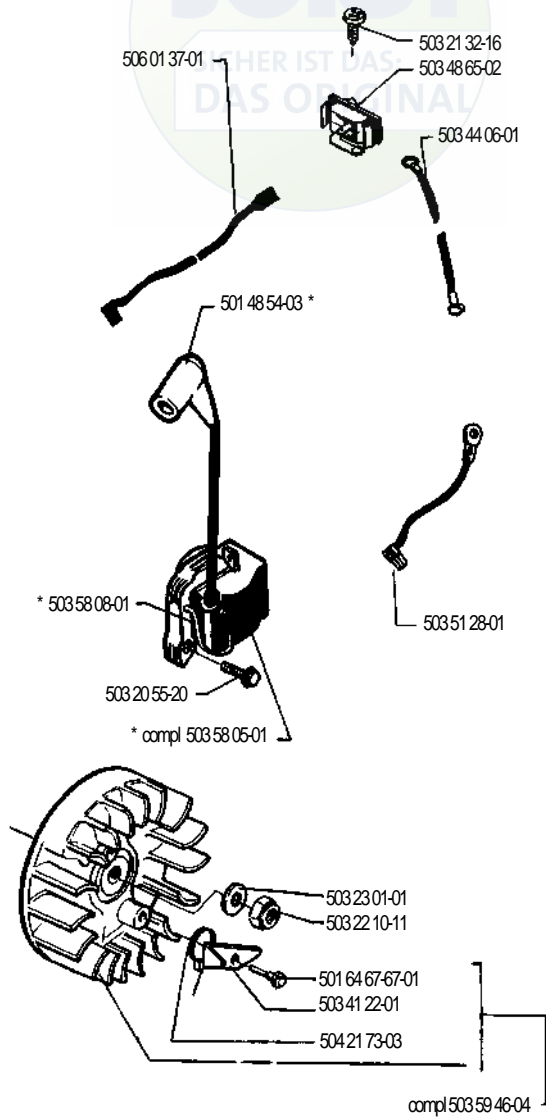
E



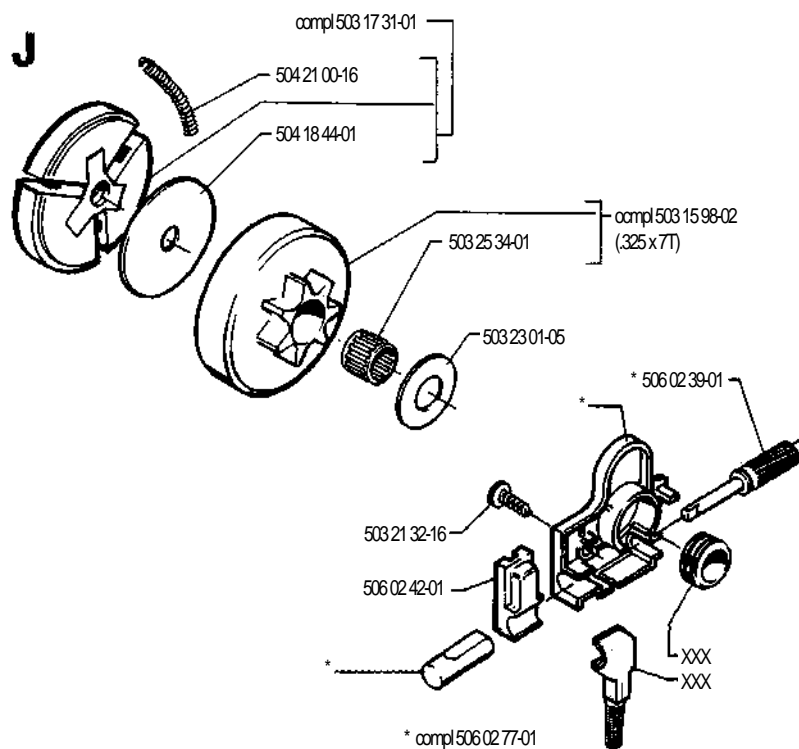
G



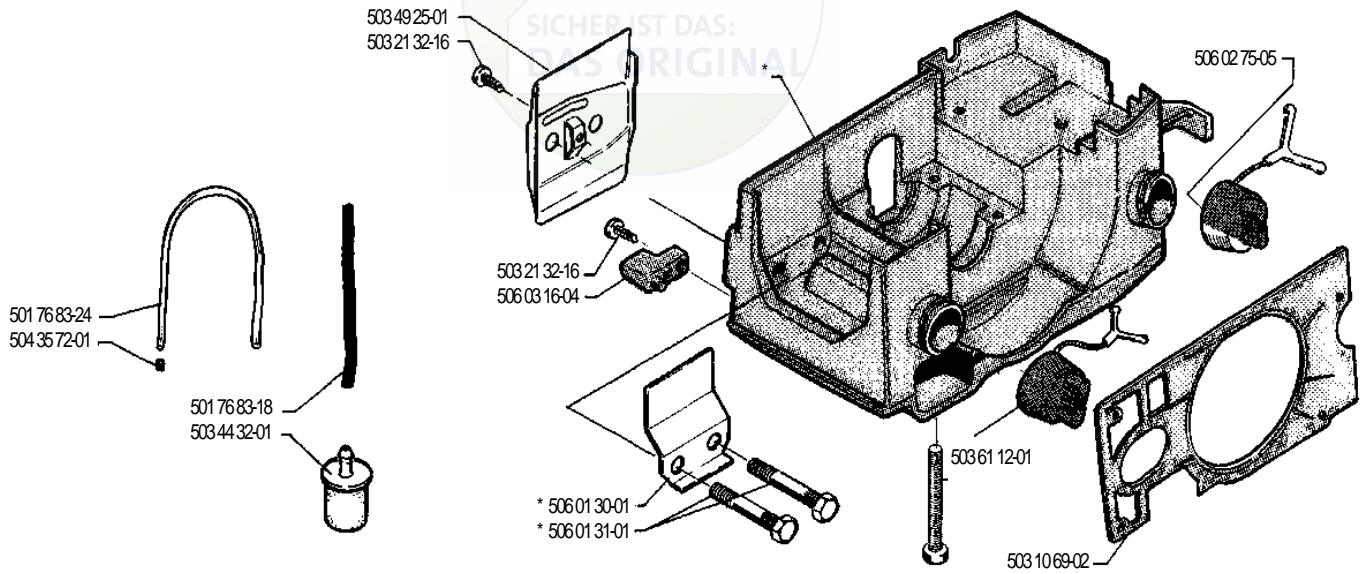
H



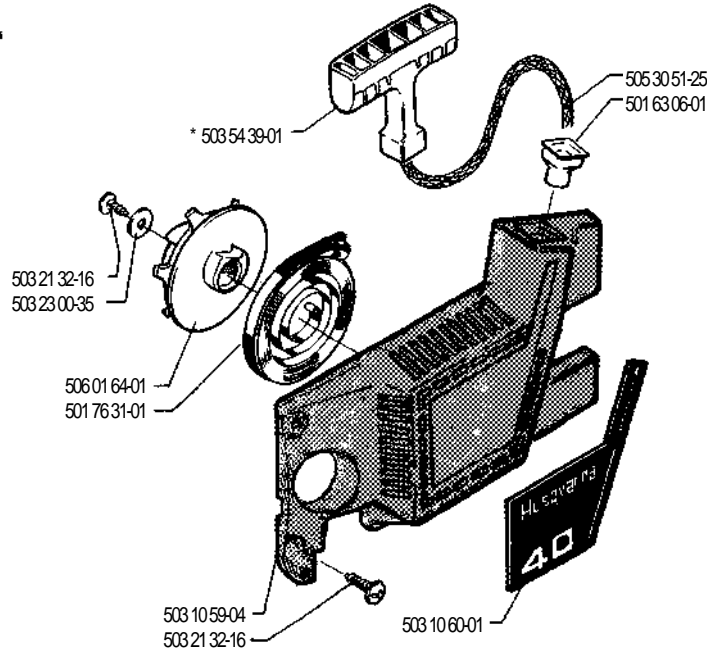
J



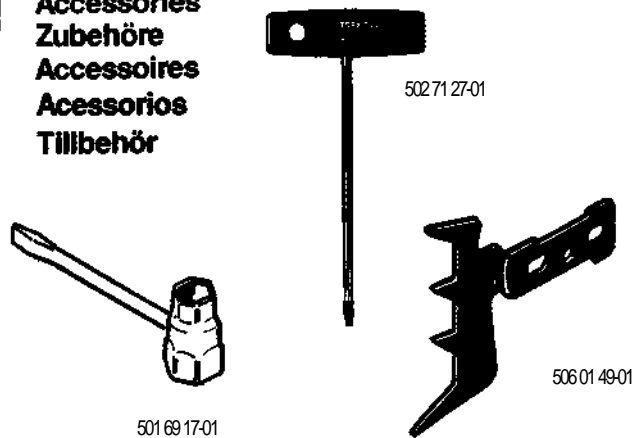
K * compl 503 49 82-02



L



N Accessories
Zubehöre
Accessoires
Accesorios
Tillbehör





M * compl 503 28 13-20

Walbro WT 99

