



For Husqvarna Parts Call 606-678-9623 or 606-561-4983

 **Husqvarna**

SERVICE 		9
		I0000048

SICHER IST DAS:
DAS ORIGINAL

IPL, 395, 395 EPA, 2001-01, 106 26 39-61

395, 395 EPA

Spare parts

Ersatzteile

Pièces détachées

Reserve onderdelen

Repuestos

Reservdelar

106 26 39-61

For Husqvarna Parts Call 606-678-9623 or 606-561-4983

MODEL 395, 395 EPA

PART NUMBER	SQUARE NOTE	PART NUMBER	SQUARE NOTE	PART NUMBER	SQUARE NOTE	PART NUMBER	SQUARE NOTE
501 08 17-01	L	503 21 89-01	F	503 57 76-01	E	537 01 83-01	K
501 20 15-03	M	503 22 00-01	A	503 57 86-01	N	537 03 34-01	E
501 22 04-01	N	503 22 10-02	LQ	503 57 89-01	EK	537 04 13-01	N
501 22 05-01	N	503 22 24-01	A	503 57 97-01	A	537 04 14-01	N
501 22 08-01	N	503 22 24-02	F	503 60 04-01	E	537 04 15-01	N
501 22 09-01	N	503 22 65-03	D	503 62 12-01	R	537 04 16-01	N
501 22 12-01	N	503 23 00-19	J	503 62 59-03	J	537 04 18-01	N
501 22 13-01	N	503 23 00-35	E	503 62 59-04	J	537 04 19-01	N
501 22 15-01	N	503 23 00-42	LQ	503 63 45-01	P	537 04 20-01	N
501 22 20-01	N	503 23 00-58	J	503 63 98-01	L	537 04 21-01	N
501 22 21-01	N	503 23 10-02	J	503 65 27-01	N	537 05 13-01	K
501 22 25-01	N	503 23 43-02	M	503 66 57-01	P	537 05 53-01	M
501 27 08-01	K	503 23 51-09	C	503 66 58-01	P	537 05 53-02	M
501 28 85-01	J	503 25 30-01	J	503 66 61-01	A	537 05 59-01	B
501 43 00-01	Q	503 26 02-05	K	503 66 84-04	K	537 06 32-01	Q
501 48 52-01	N	503 26 30-17	EK	503 66 94-02	F	537 06 53-01	Q
501 48 53-03	K	503 28 04-10	DN	503 68 41-01	D	537 06 89-01	N
501 48 54-02	L	503 28 04-14	DN	503 68 94-01	L	537 06 90-01	N
501 49 27-03	K	503 28 90-35	C	503 68 94-02	Q	537 06 95-01	N
501 49 48-02	N	503 40 06-07	D	503 69 02-01	A	537 06 98-01	N
501 51 54-02	F	503 41 79-01	P	503 70 11-01	D	537 07 00-01	N
501 51 72-01	AK	503 42 14-01	J	503 70 15-02	J	537 08 64-01	K
501 51 99-01	J	503 42 24-01	J	503 70 89-01	D	537 08 83-01	K
501 53 73-01	K	503 44 06-02	Q	503 70 89-02	D	537 09 05-71	G
501 53 74-01	K	503 44 32-01	E	503 70 89-03	D	537 09 62-01	Q
501 54 41-02	J	503 46 24-02	M	503 71 13-04	F	537 10 31-01	K
501 54 48-01	J	503 46 32-71	P	503 71 13-05	F	537 10 82-01	N
501 59 74-03	Q	503 46 35-71	H	503 71 13-07	F	537 11 42-01	M
501 59 79-02	J	503 46 35-73	Q	503 71 24-01	A	537 13 00-01	N
501 59 80-02	J	503 46 37-02	J	503 71 53-01	C	537 13 33-01	Q
501 61 52-01	C	503 46 40-01	J	503 71 71-01	A	537 13 76-71	C
501 62 93-08	Q	503 46 42-01	J	503 71 76-02	E	720 12 33-00	A
501 63 06-01	M	503 46 43-01	J	503 71 79-01	L	720 12 40-20	E
501 63 44-06	Q	503 46 48-01	M	503 71 81-01	Q	720 12 72-20	E
501 67 32-01	LQ	503 46 55-01	K	503 72 06-01	A	721 42 03-25	J
501 67 35-01	LQ	503 46 56-01	C	503 72 07-02	A	721 42 52-50	A
501 68 89-01	R	503 46 77-01	K	503 72 08-01	A	724 12 87-59	F
501 76 80-01	A	503 46 80-02	K	503 72 31-01	K	724 13 25-55	K
501 79 51-02	Q	503 46 84-01	K	503 73 15-06	A	724 32 24-05	Q
501 81 74-01	CG	503 46 85-01	E	503 73 38-02	B	725 52 91-55	Q
501 81 96-02	EK	503 46 88-01	E	503 73 64-01	E	725 52 95-55	JL
501 81 99-01	LQ	503 46 88-02	E	503 74 36-01	M	725 53 09-55	D
501 82 17-01	N	503 46 95-01	E	503 74 93-01	K	725 53 33-55	K
501 82 18-01	N	503 46 95-02	E	503 75 38-01	E	725 53 37-55	K
501 83 98-07	L	503 47 00-01	K	503 76 08-01	A	725 53 43-55	K
501 87 25-01	E	503 47 05-01	K	503 76 13-71	R	731 23 14-01	K
501 87 47-01	A	503 47 16-01	K	503 77 98-01	N	735 11 73-50	LQ
501 87 53-01	A	503 47 17-01	K	503 80 27-01	A	735 31 08-20	A
501 89 67-02	M	503 47 34-01	E	503 82 98-01	E	737 44 13-00	C
501 91 14-01	R	503 47 49-01	C	503 83 92-71	K	738 22 03-25	G
502 01 22-01	N	503 48 63-01	N	503 84 20-01	M		
503 13 50-01	M	503 52 08-01	A	503 92 07-01	C		
503 13 96-01	R	503 52 29-02	F	503 93 47-01	P		
503 14 51-01	J	503 52 40-01	K	503 96 94-01	D		
503 20 02-08	D	503 52 64-09	B	503 96 96-01	D		
503 20 02-10	F	503 52 78-01	L	503 96 97-01	D		
503 20 02-12	AP	503 52 87-02	HPQ	503 97 39-01	D		
503 20 02-16	FK	503 53 36-01	N	503 97 48-01	D		
503 20 02-25	EK	503 53 39-01	N	503 97 63-01	K		
503 20 03-16	HP	503 54 35-04	B	503 98 74-01	B		
503 20 26-16	A	503 54 39-01	M	503 98 82-01	N		
503 20 34-19	M	503 55 22-01	C	503 98 85-01	N		
503 20 34-25	B	503 55 24-01	K	503 98 86-01	N		
503 21 05-22	HKPQ	503 55 66-01	E	503 98 88-01	N		
503 21 06-16	M	503 55 75-01	J	503 99 32-01	R		
503 21 27-10	K	503 55 85-02	R	503 99 39-71	C		
503 21 28-10	ALQ	503 55 86-01	R	504 02 65-00	N		
503 21 29-06	Q	503 55 86-02	R	504 52 14-03	N		
503 21 60-25	C	503 56 00-06	D	505 31 64-58	N		
503 21 60-40	C	503 57 37-01	A	505 31 65-50	N		

2 = 501 49 48-02

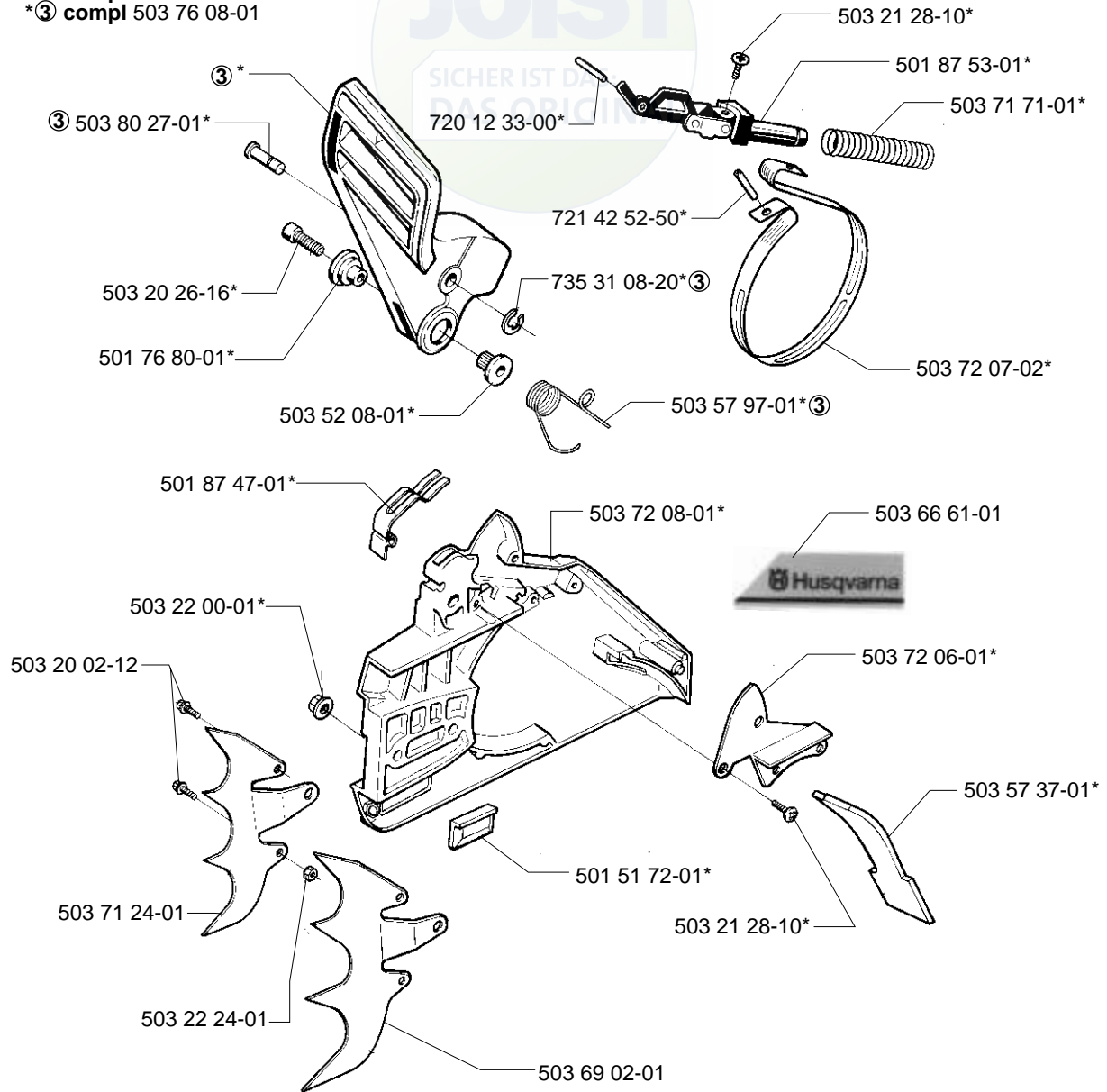
Set of gaskets
Dichtungssatz
Jeu de joints
Juego de juntas
Packningssats

N = New part
Neues teil
Nouvelle piece
Nueva pieza
Ny detalj

EPA = Environmental Protection Agency

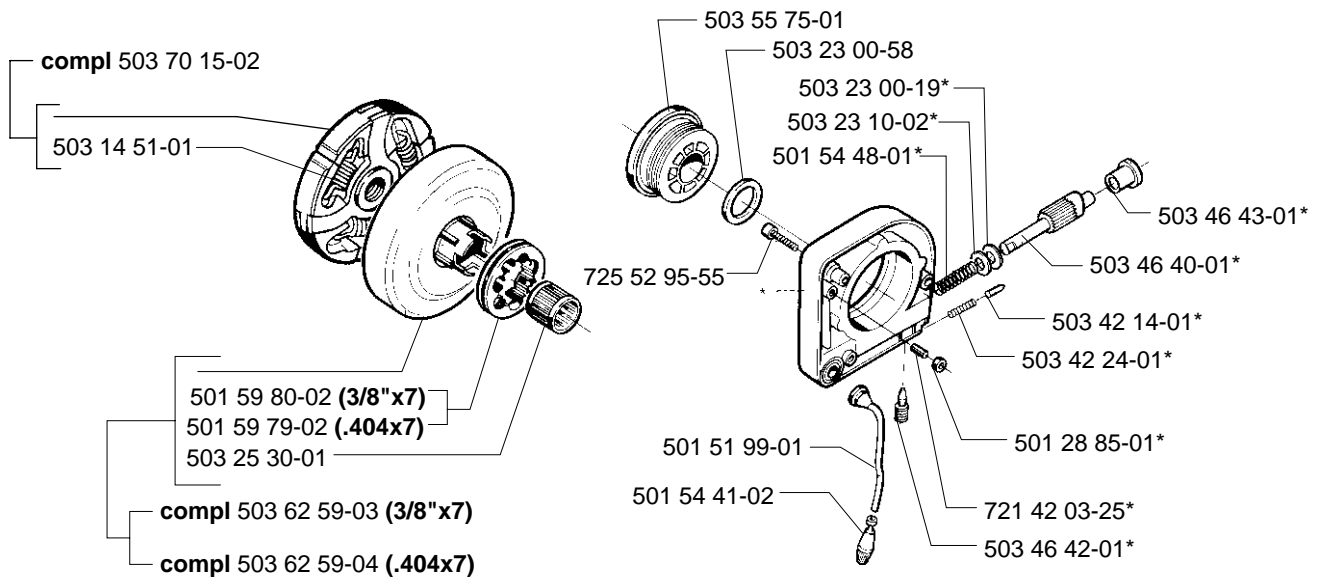
A

*compl 503 73 15-06
 *③ compl 503 76 08-01

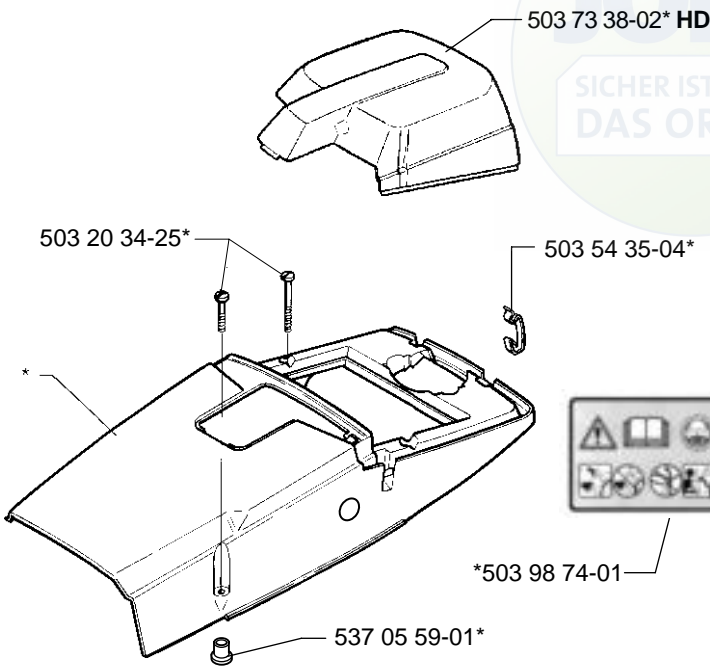


J

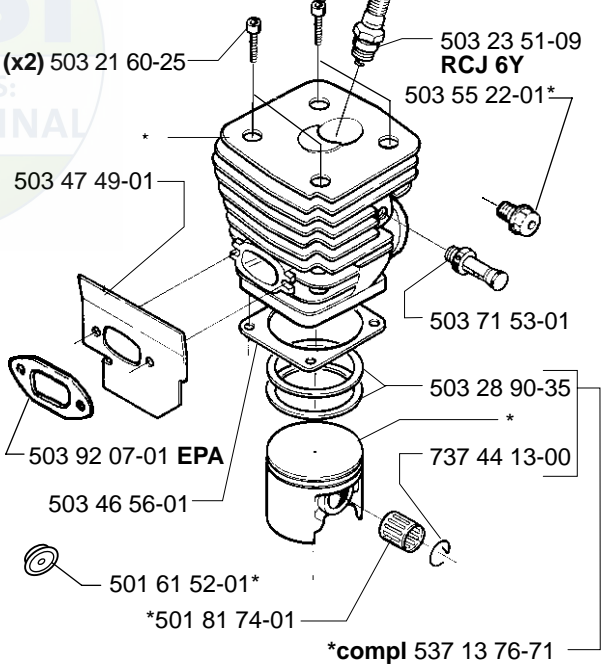
*compl 503 46 37-02



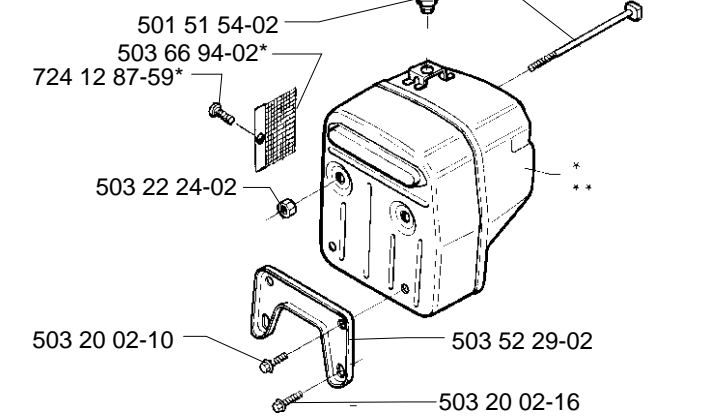
B *compl 503 52 64-09 HD



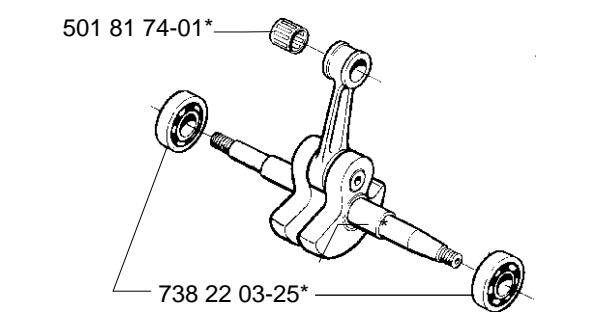
C *compl 503 99 39-71



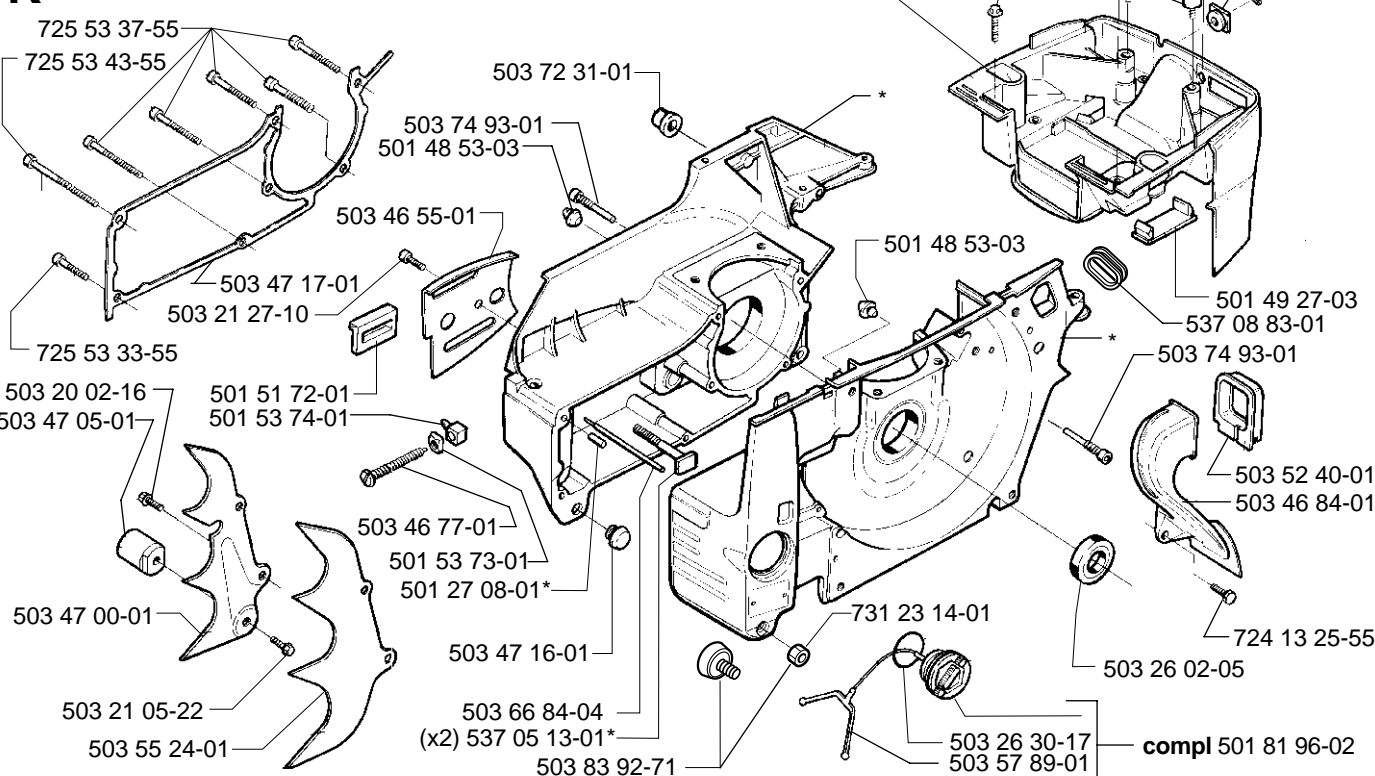
F *compl 503 71 13-07 (FF)
**compl 503 71 13-04 (Europe)
**compl 503 71 13-05 (DJ)



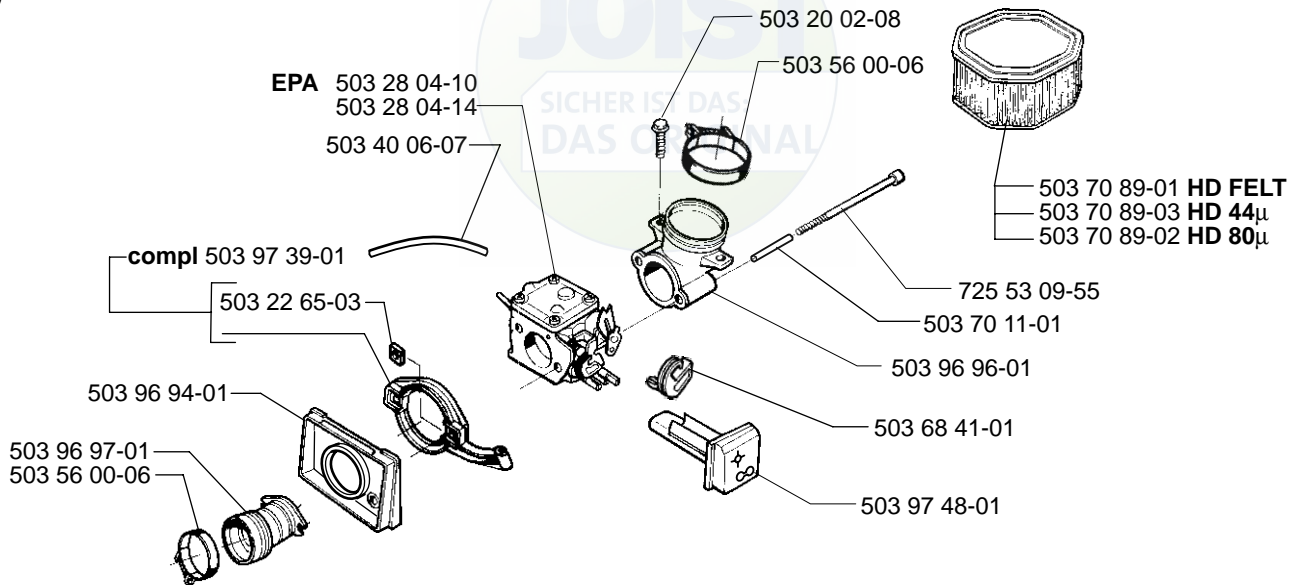
G *compl 537 09 05-71



K *compl 503 46 80-02

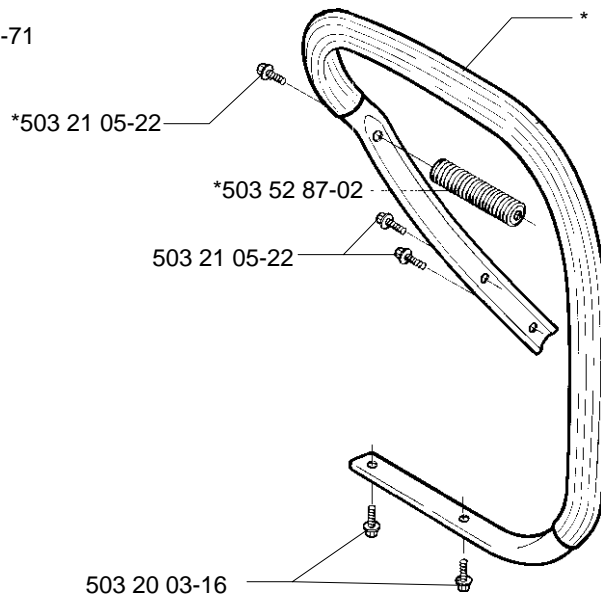


D

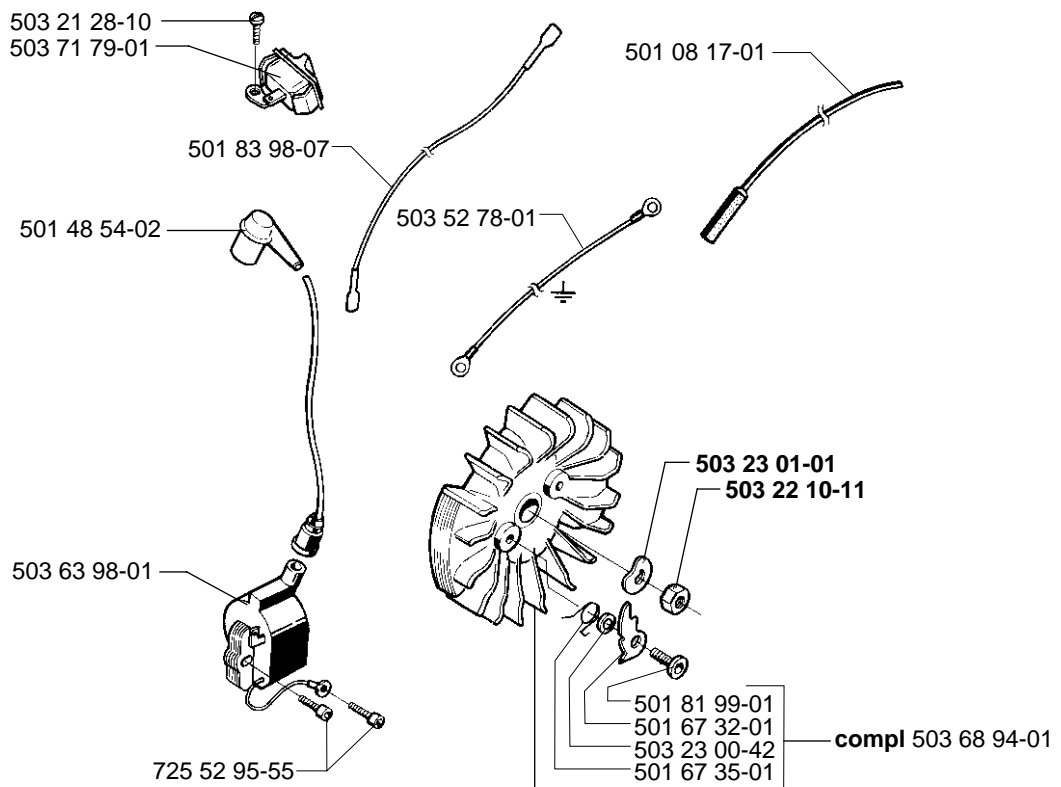


H

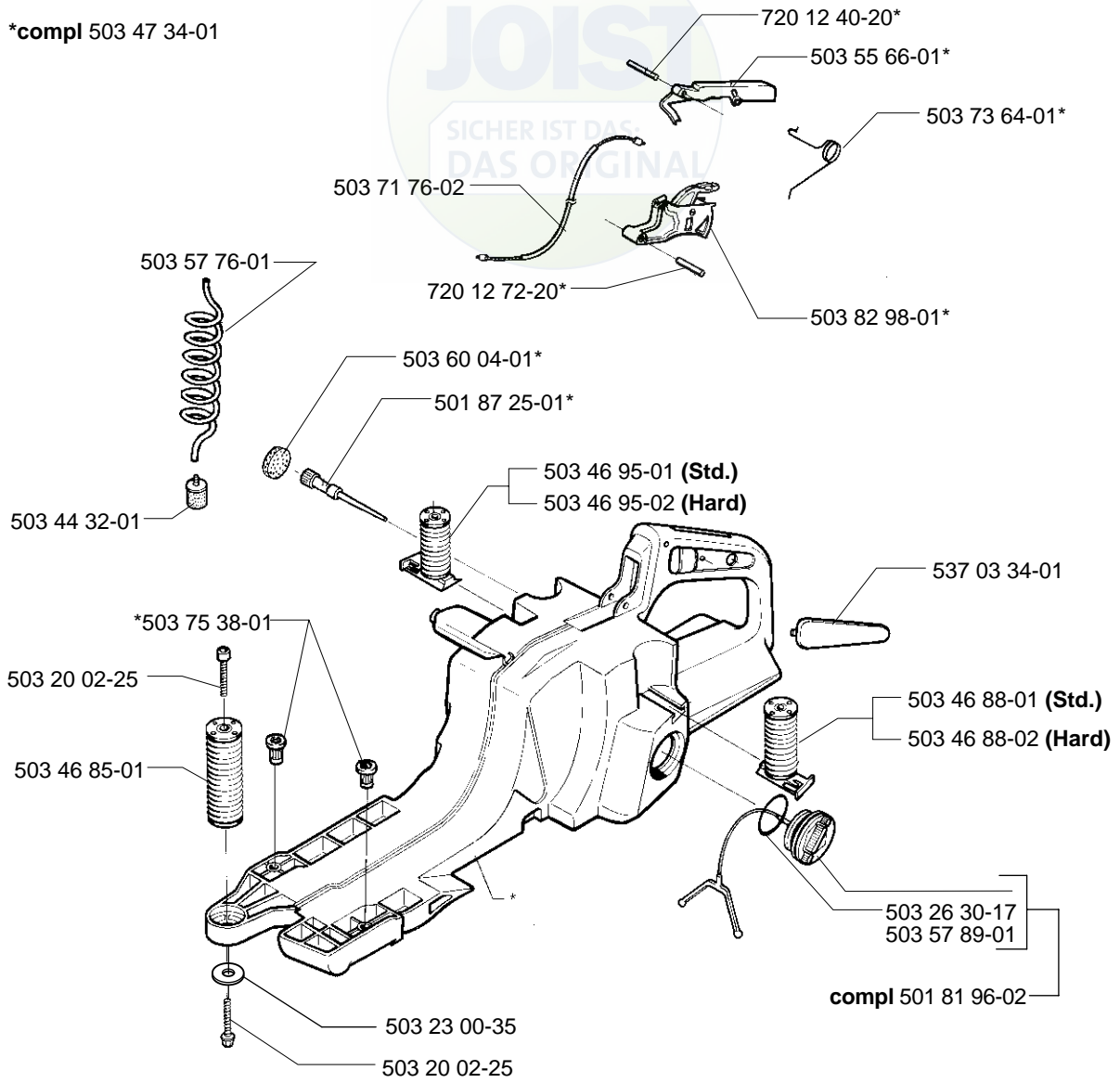
*compl 503 46 35-71



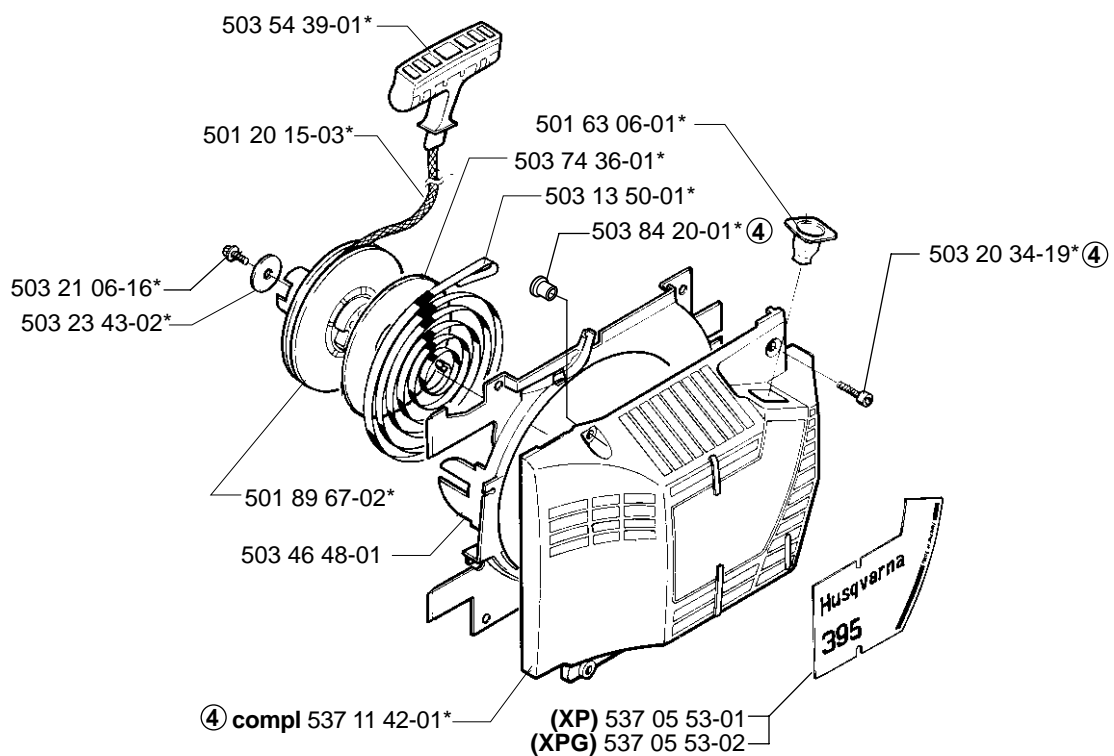
L



E *compl 503 47 34-01



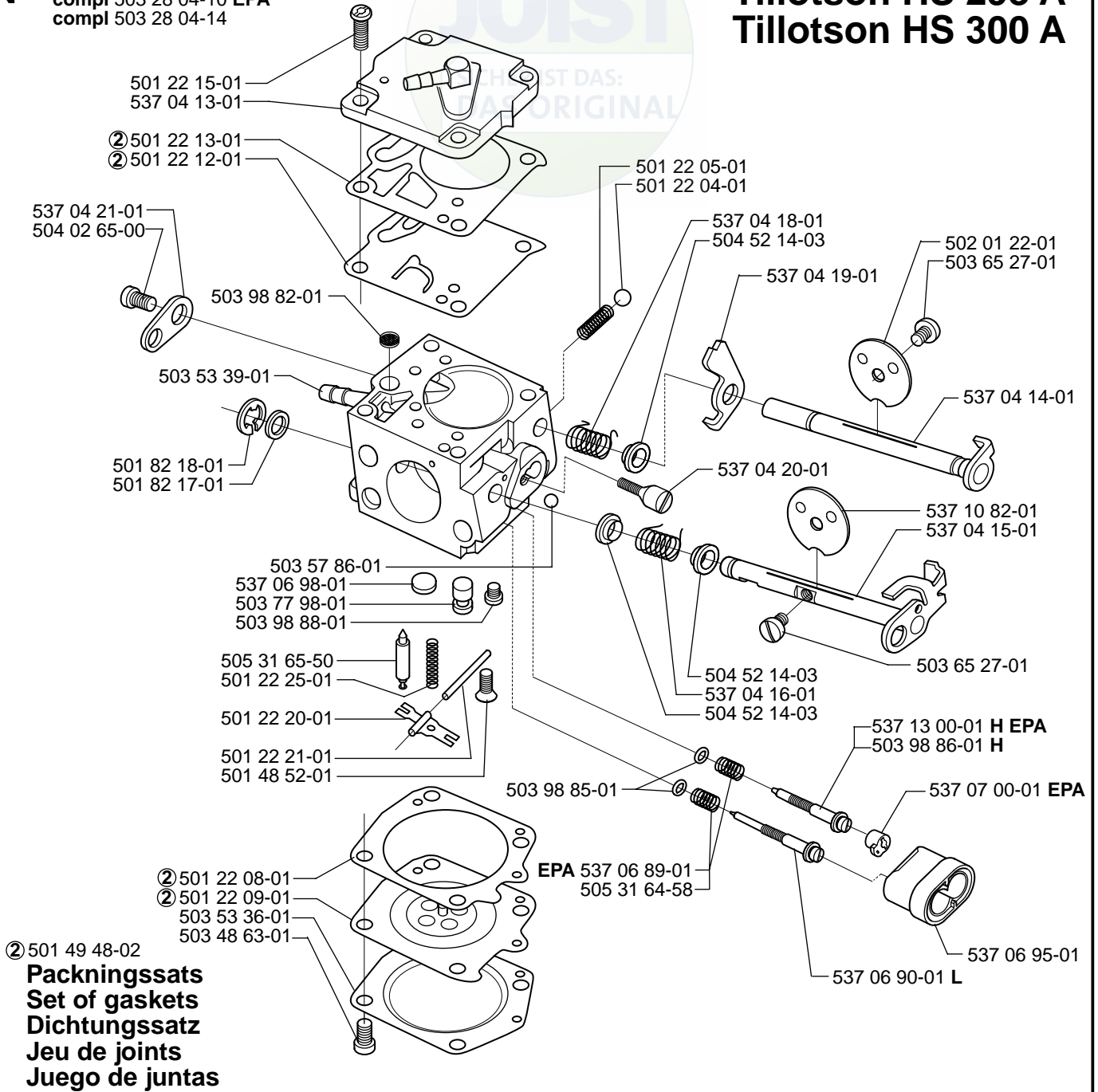
M *compl 503 46 24-02



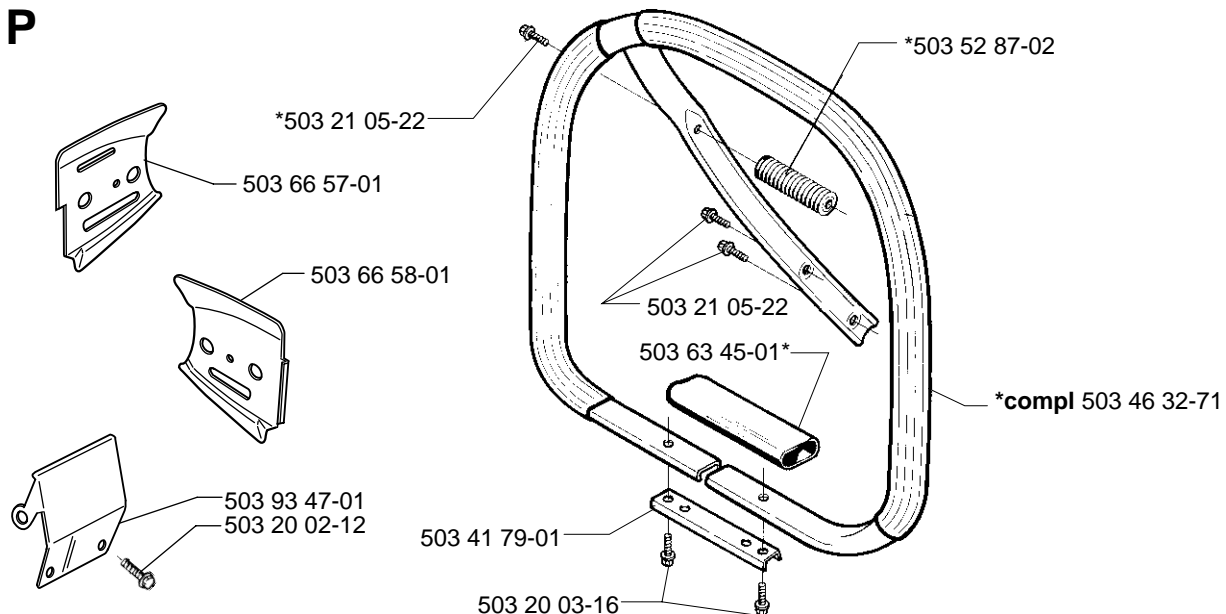
N

compl 503 28 04-10 EPA
compl 503 28 04-14

**Tillotson HS 298 A
Tillotson HS 300 A**

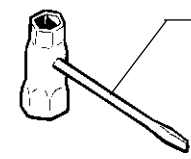
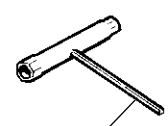
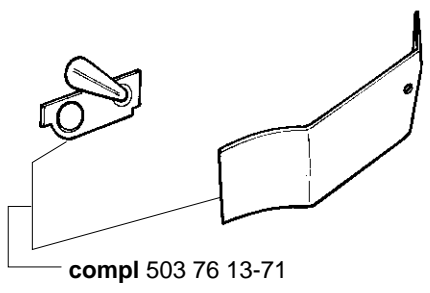
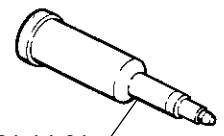
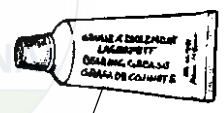
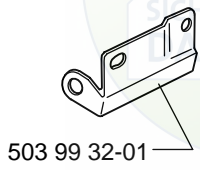


P



R
Tillbehör
Accessories
Zubehöre
Accessoires
Accesorios

*compl 503 55 85-02



Q

