

372, 372 EPA, 362 Special, 362 Special EPA

Spare parts

Replaces

Ersatzteile

Ersetzt

Pièces détachées

Remplace

Reserve onderdelen

Vervangt

Repuestos

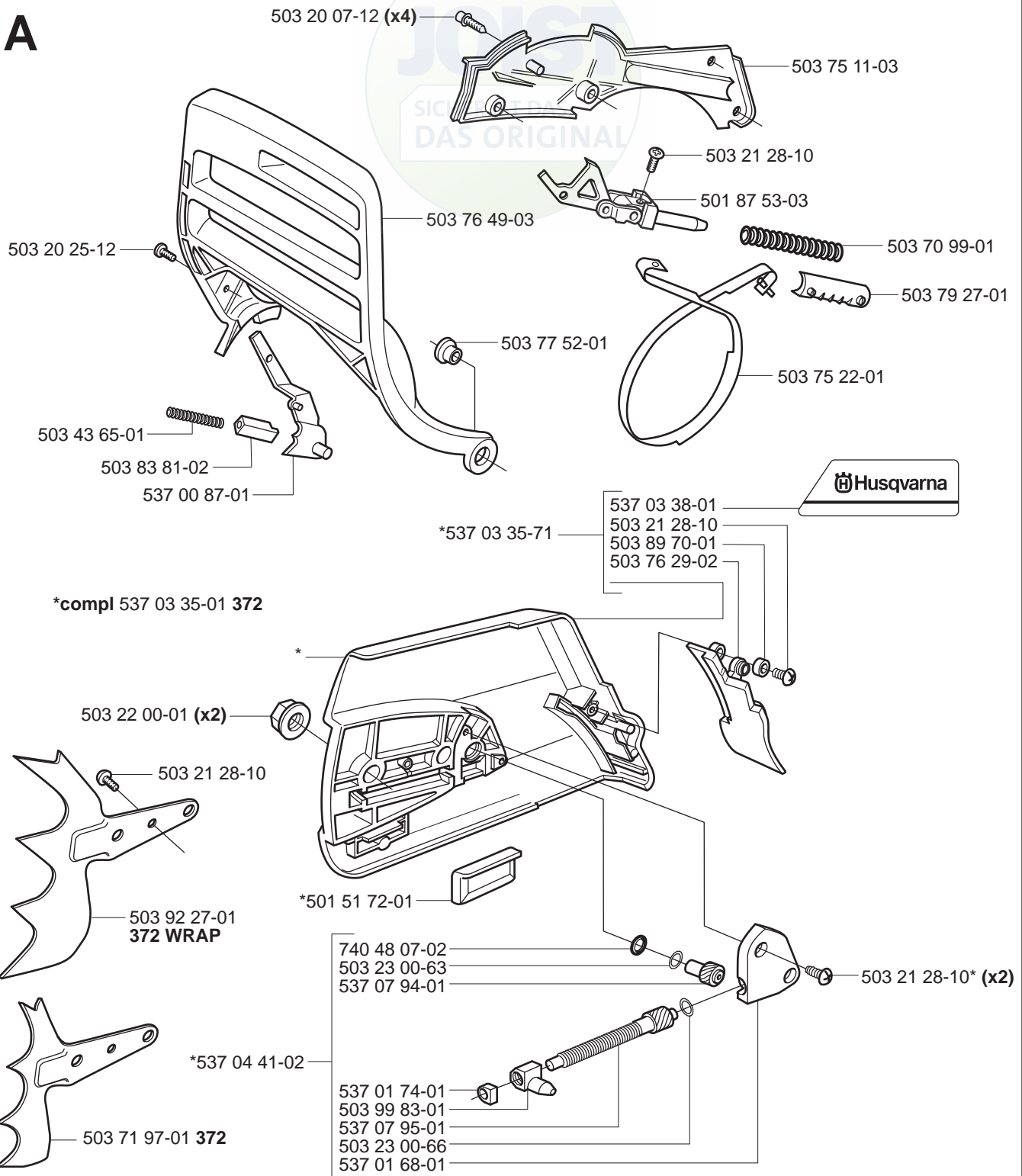
Reemplaza

Reservdelar

Ersätter

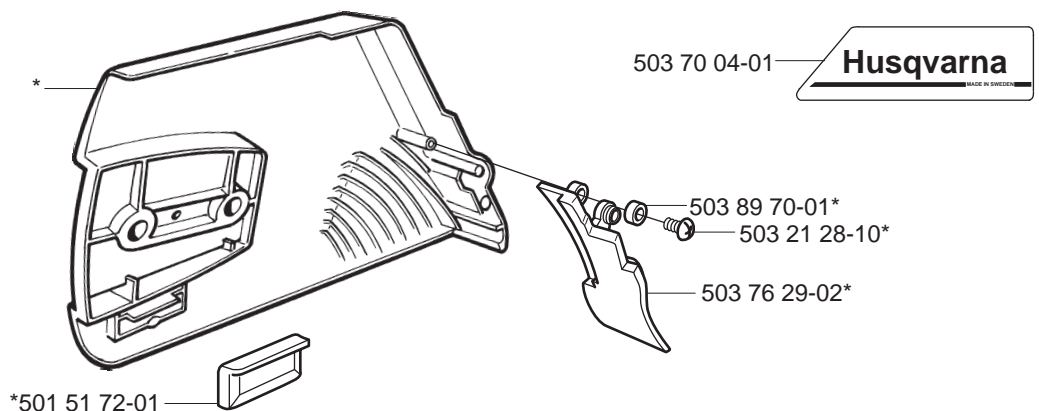
106 26 04-62

A

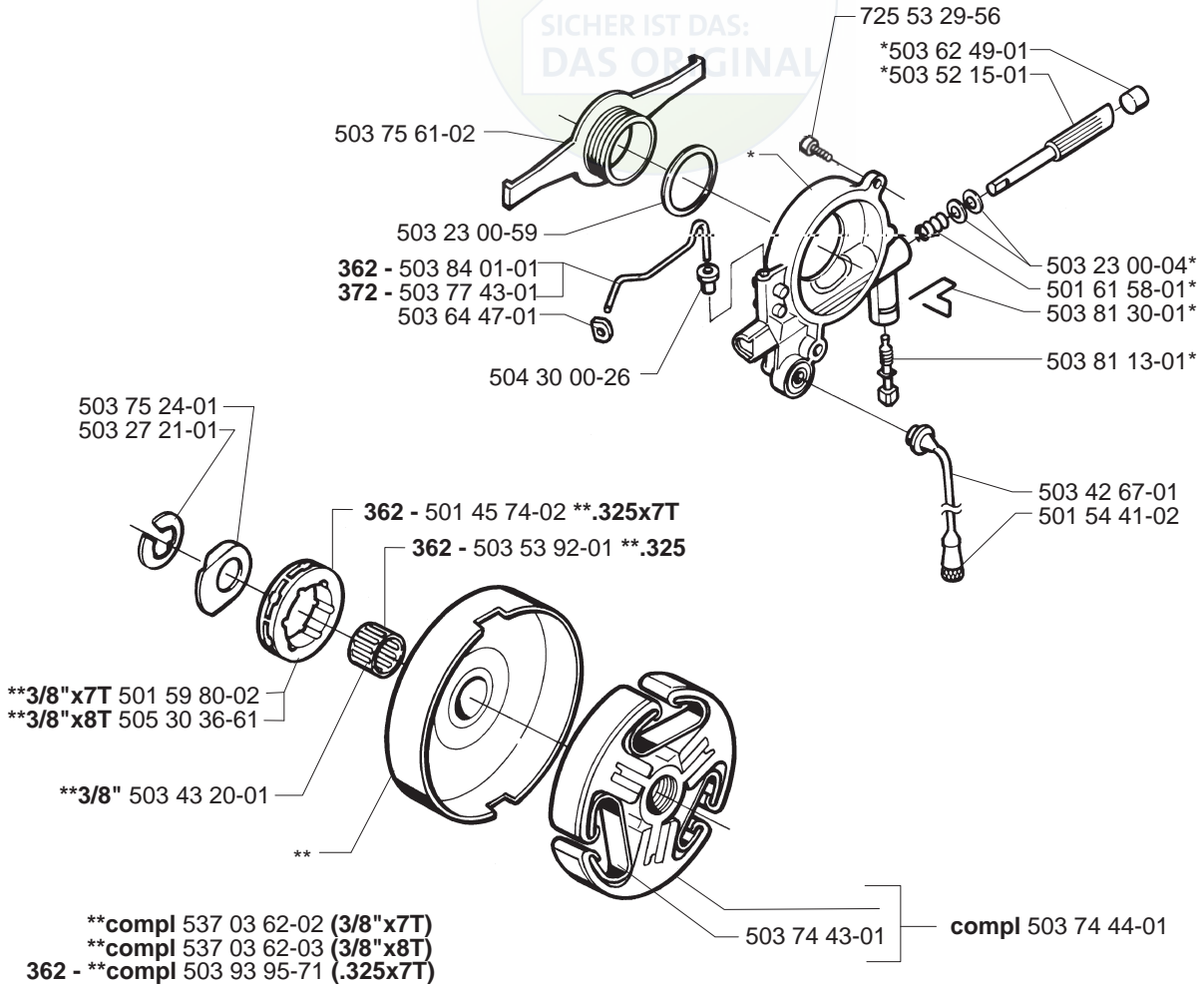


B

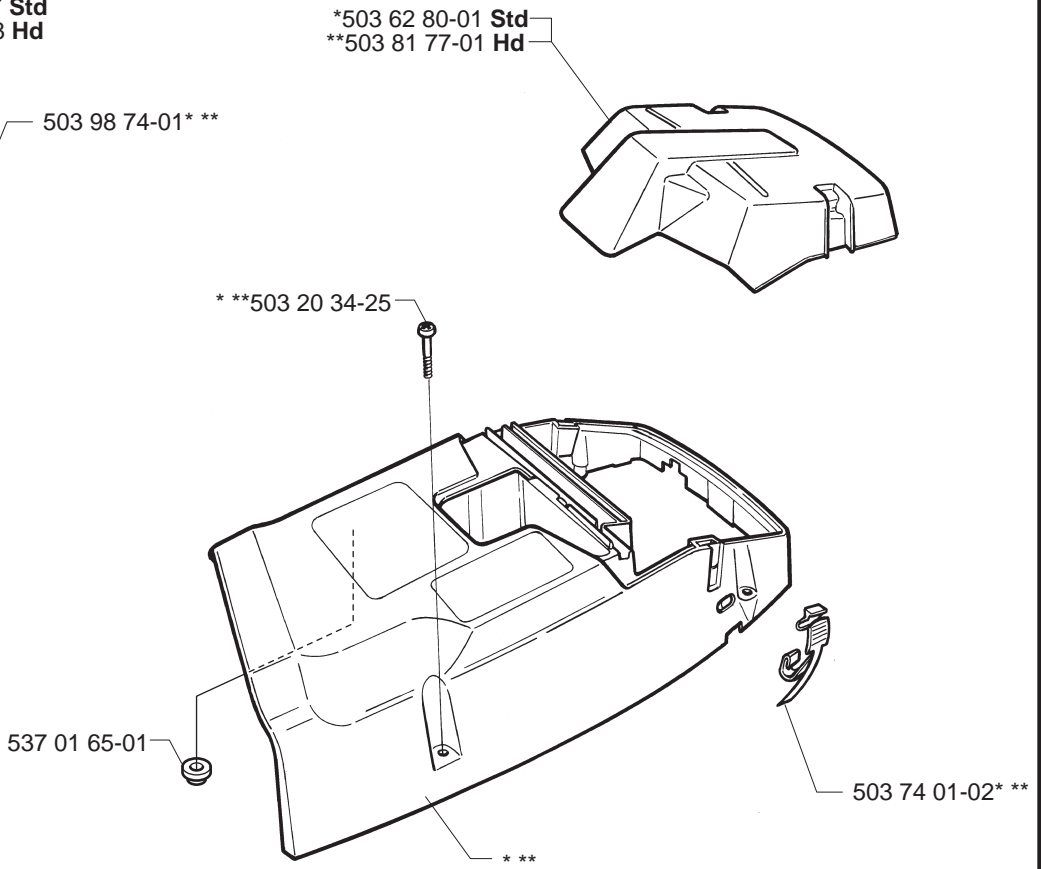
***compl 503 76 92-01 362**



C *compl 503 52 13-01

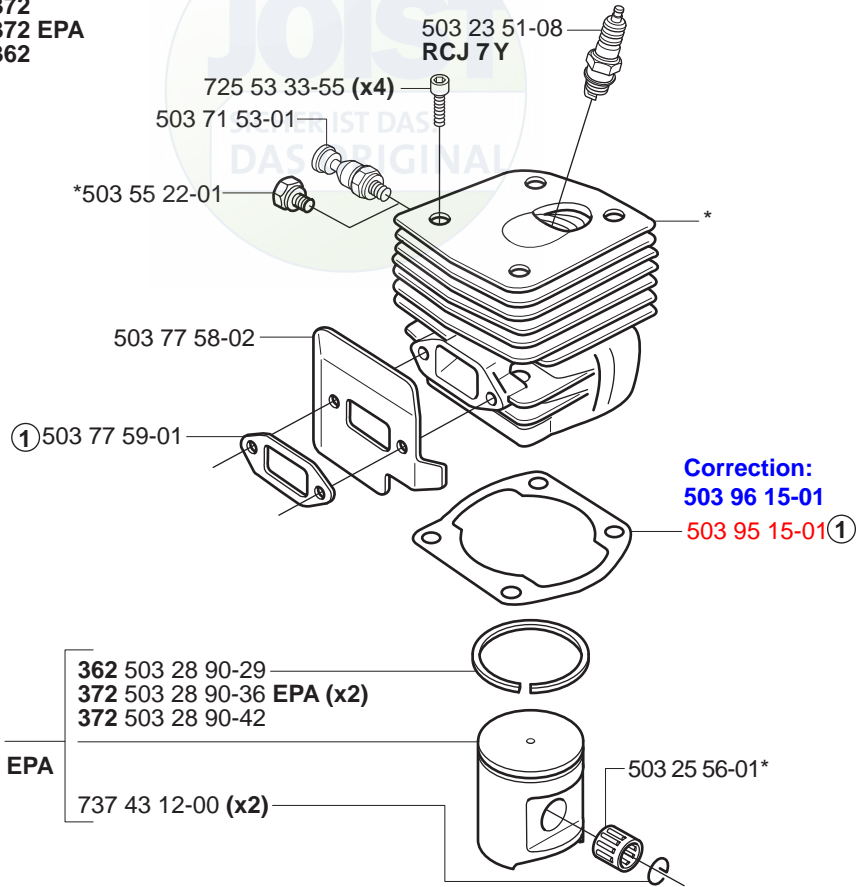


D *compl 503 62 78-07 Std
**compl 503 62 78-08 Hd

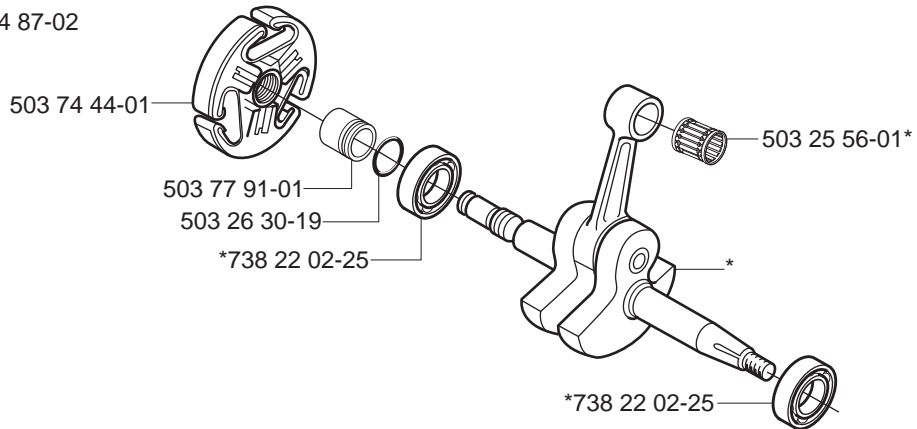


E

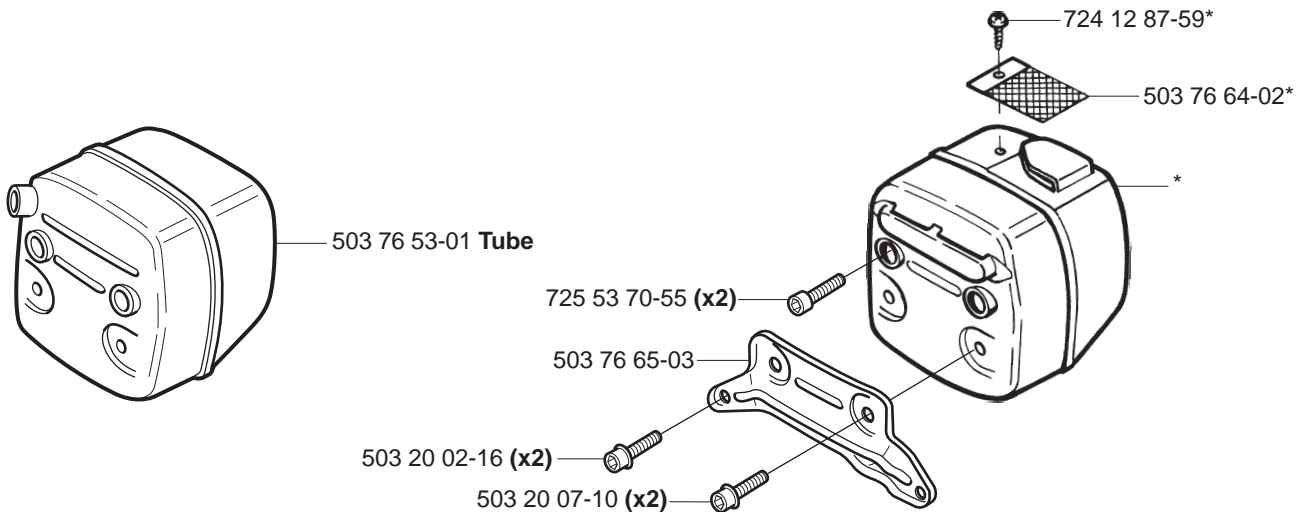
*compl 503 62 64-73 372
 *compl 503 93 93-72 372 EPA
 *compl 503 96 52-71 362

**F**

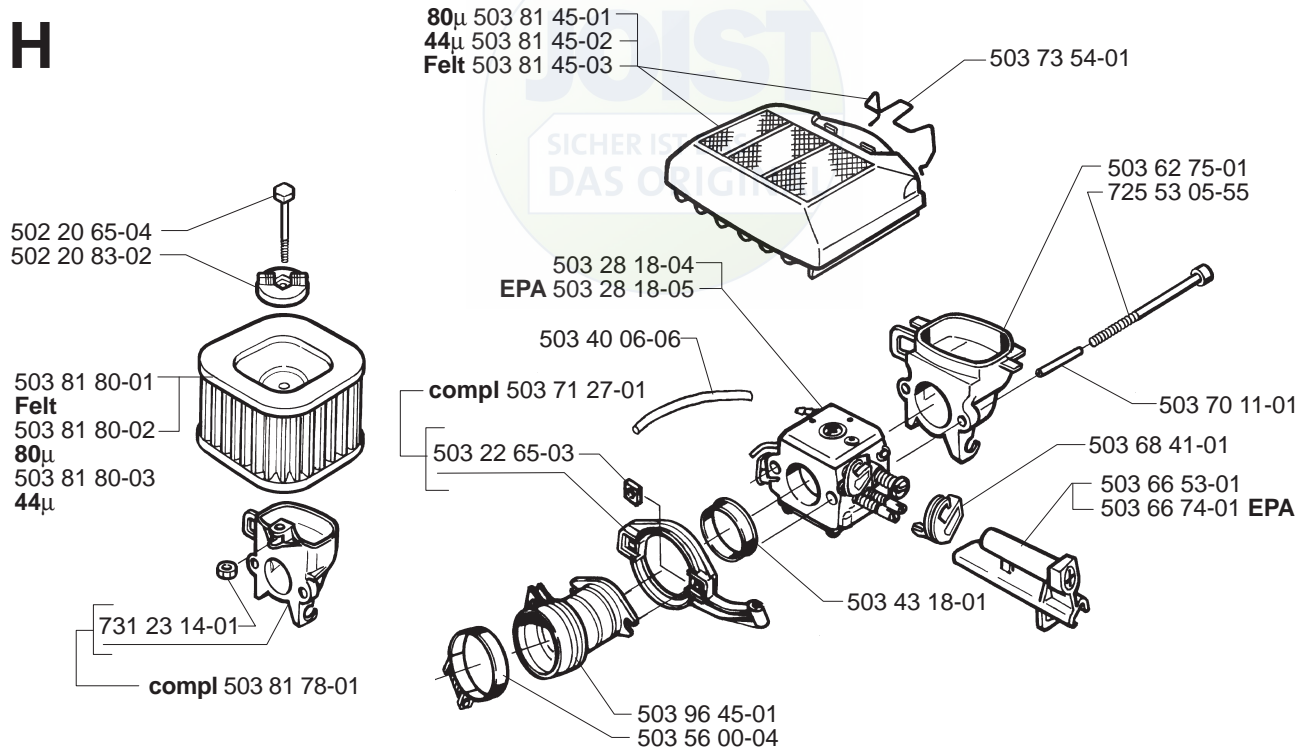
*compl 503 74 87-02

**G**

compl 503 76 52-01 FG
 *compl 503 76 53-02 Jungle
 *compl 503 76 54-02 DF

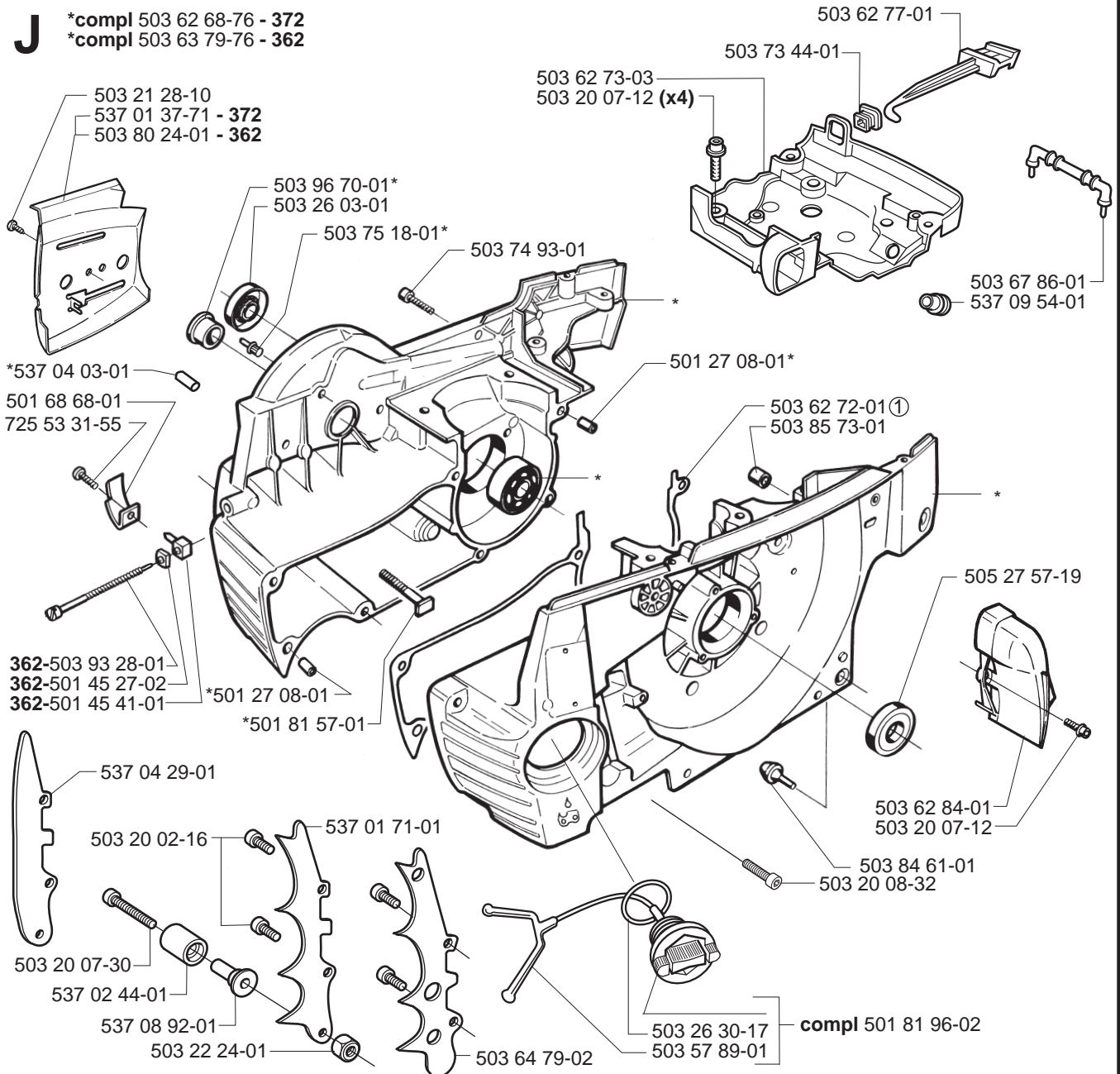


H

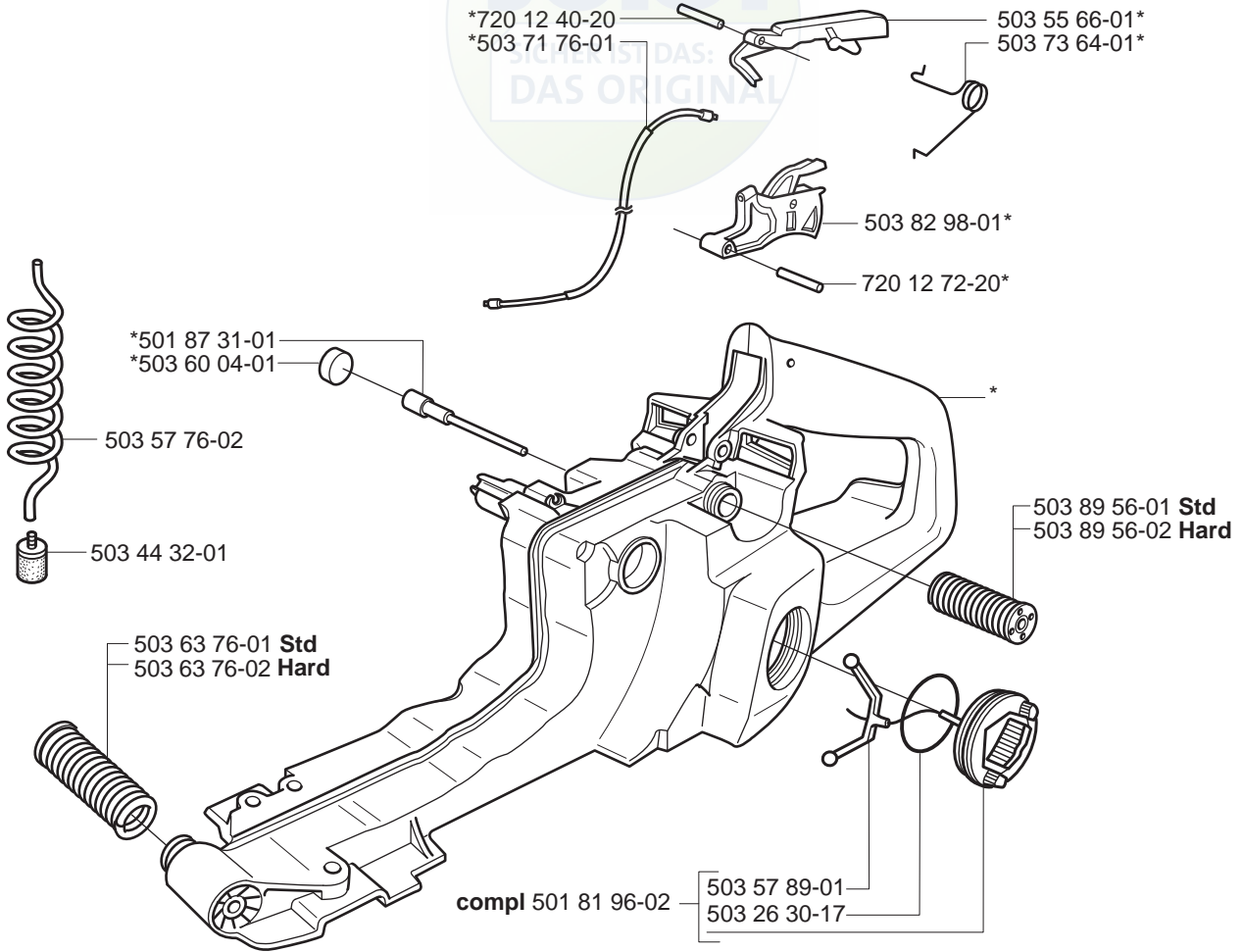


J

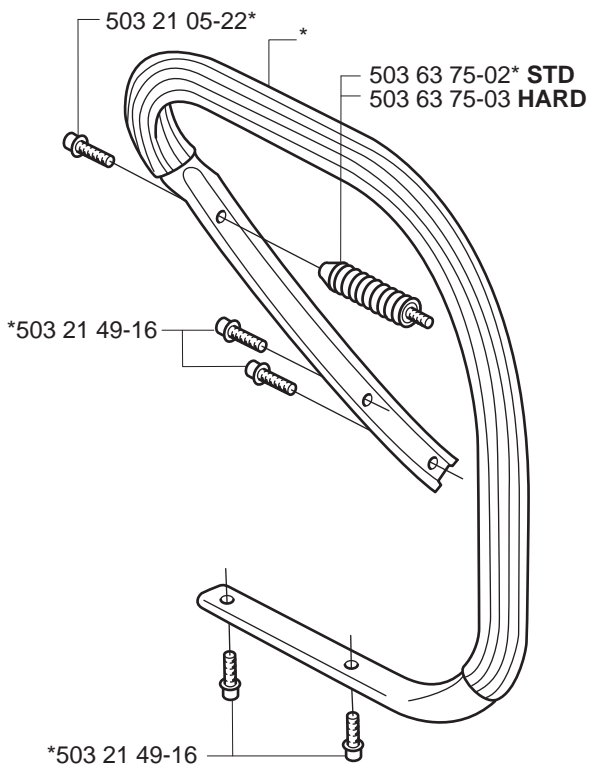
*compl 503 62 68-76 - 372
*compl 503 63 79-76 - 362



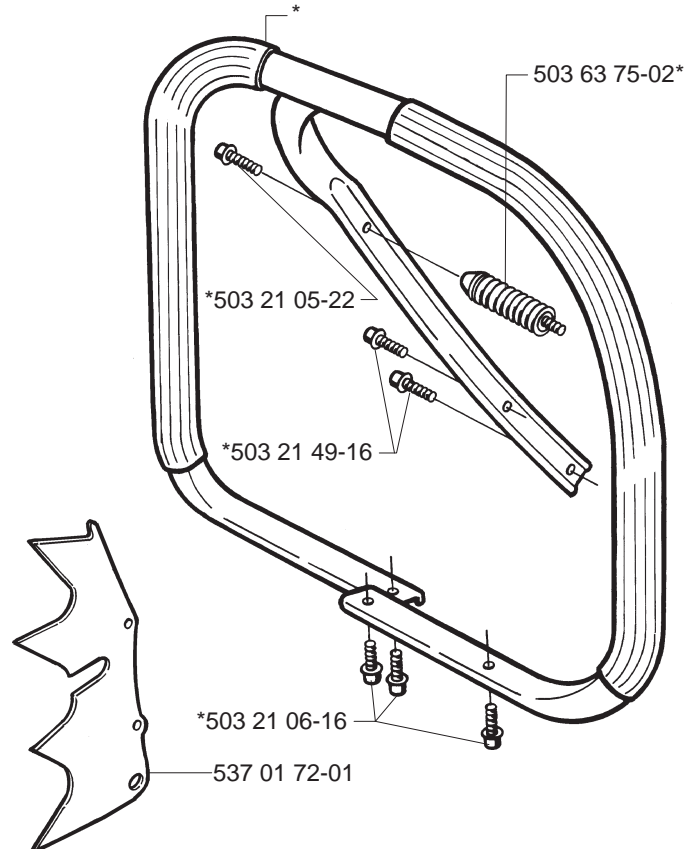
K *compl 503 71 32-75



L *compl 503 62 67-71



M *compl 503 62 86-71 WRAP
*compl 503 62 86-02 WA G



N

*compl 537 08 72-01

*537 07 13-01

*537 06 04-01

537 07 18-02 (G)

503 20 26-16 (G)

503 23 01-01

503 22 10-11

503 55 49-01 (G)*

537 07 14-01*

501 67 35-01

503 23 00-42

537 01 55-01

501 81 99-01

compl 537 05 16-06 (G)

501 43 00-01

*503 23 85-65

*compl 537 01 59-01

*503 64 02-01 (G)

501 80 24-03 (G)

503 20 26-16 (G)

503 23 01-01

503 22 10-11

(G) 501 43 00-01*

(G)*

501 67 35-01

503 23 00-42

537 01 55-01

501 81 99-01

compl 537 05 16-04 (G)

503 21 38-01 (G)

501 48 54-02

503 71 82-01

503 70 59-01 (G)

503 62 61-01

503 89 76-01

503 21 28-10

*compl 503 62 67-72 (G)

*503 21 05-22

503 23 01-01

503 22 10-11

503 68 45-02

537 16 22-01

503 20 07-20 (x2)

501 67 35-01

503 23 00-42

537 01 55-01

501 81 99-01

compl 537 05 16-05

503 23 01-01

503 22 10-11

503 21 49-16*

P

*compl 503 62 81-71

503 62 83-01

503 54 39-01*

501 20 15-02*

*503 21 49-16

*503 23 43-02

*503 20 34-19 (x4)

***501 63 06-01

*503 85 96-01

*503 78 72-01

537 08 67-01* **

***compl 503 62 82-02 ***

(XP) 537 08 65-10 362

(XPG) 537 08 65-11 362

(XP) 537 08 65-07 372

(XPG) 537 08 65-08 372

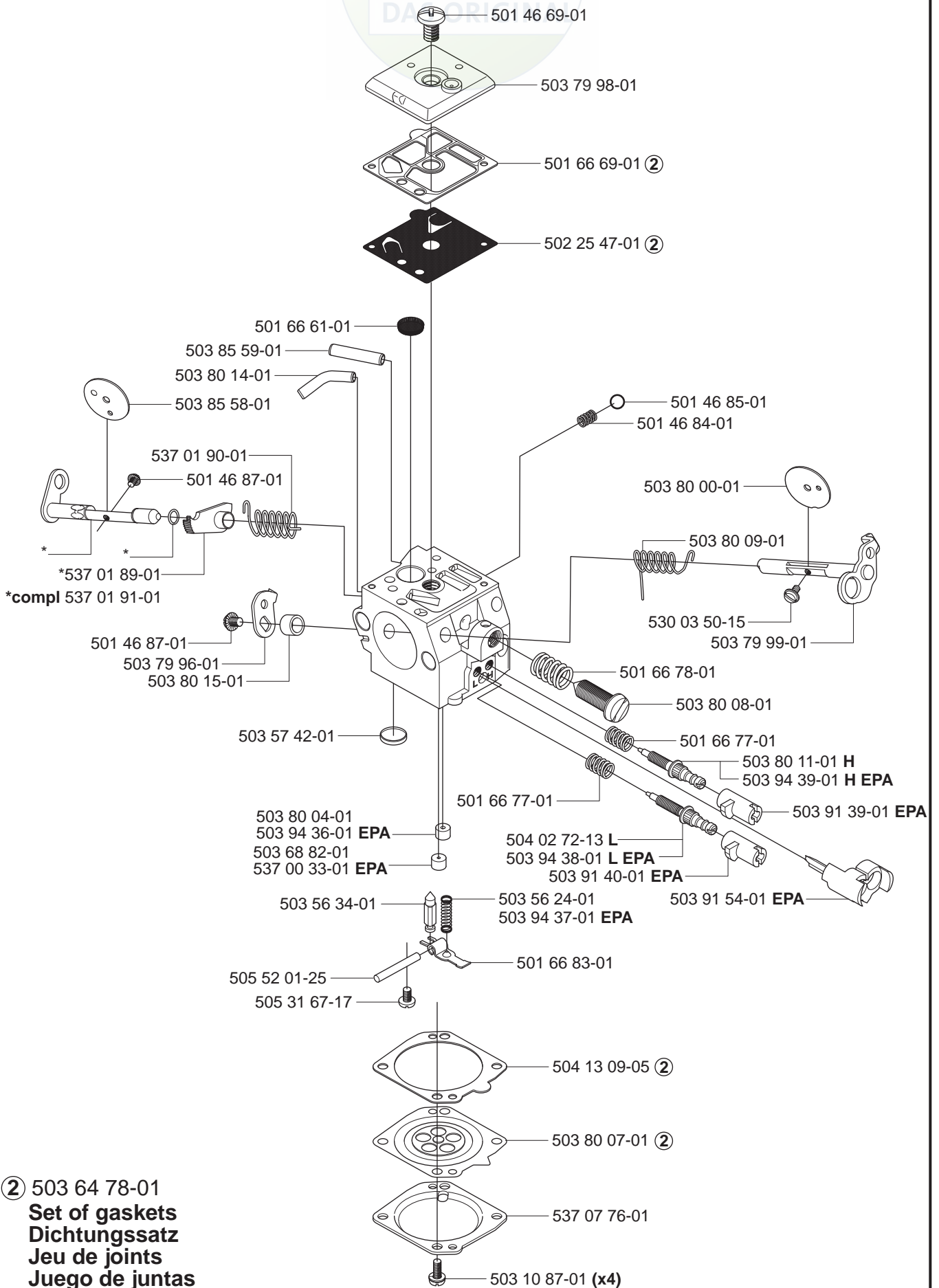


compl 503 28 18-04
 compl 503 28 18-05 EPA

JOIST

SICHER IST DAS:
 DAUERHAFT

**Walbro HD-6B
 Walbro HD-12B EPA**



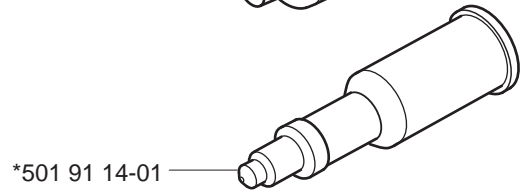
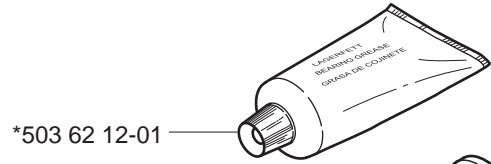
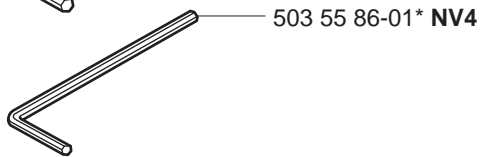
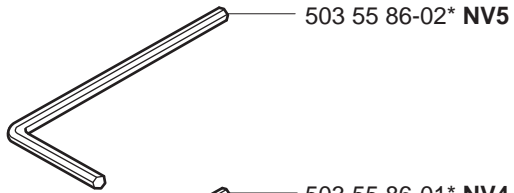
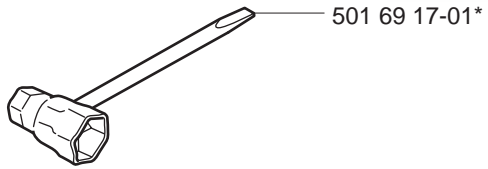
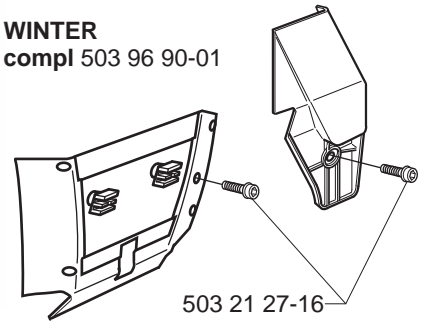
② 503 64 78-01
Set of gaskets
Dichtungssatz
Jeu de joints
Juego de juntas
Packningssatz

R Accessories
Zubehöre
Accessories
Accessorios
Tillbehör

*compl 503 55 85-01



WINTER
compl 503 96 90-01





SB, 365, 371 XP, 372 XP, Spike CE

2 new spikes for the European markets are available as spare part. These spikes fit on model 365, 371 XP and 372 XP.

Part. nr.

537 02 68-01

537 02 69-01



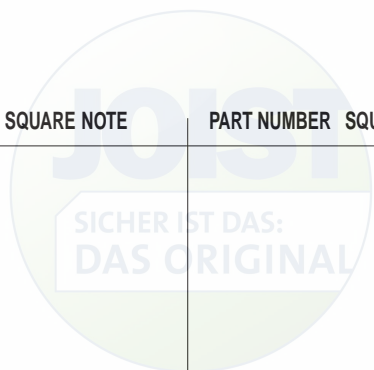
| PART NUMBER | SQUARE NOTE | PART NUMBER | SQUARE NOTE | PART NUMBER | SQUARE NOTE | PART NUMBER | SQUARE NOTE |
|--------------|-------------|----------------|-------------|----------------|-------------|----------------|-------------|
| 501 20 15-02 | P | 503 26 03-01 | J | 503 70 04-01 | B | 503 89 70-01 | A,B |
| 501 27 08-01 | J | 503 26 30-17 | J | 503 70 11-01 | H | 503 89 76-01 | N |
| 501 43 00-01 | N | 503 26 30-19 | F | 503 70 59-01 | N | 503 91 39-01 | Q EPA |
| 501 45 27-02 | J | 503 27 21-01 | C | 503 70 99-01 | A | 503 91 40-01 | Q EPA |
| 501 45 41-01 | J | 503 28 18-04 | H,Q | 503 71 27-01 | H | 503 91 54-01 | Q EPA |
| 501 45 74-02 | C | 503 28 18-05 | H,Q EPA | 503 71 32-75 | K | 503 92 27-01 | A |
| 501 46 69-01 | Q | 503 28 90-29 | E | 503 71 53-01 | E | 503 93 28-01 | J |
| 501 46 84-01 | Q | 503 28 90-36 | E EPA | 503 71 76-01 | K | 503 93 92-71 | E EPA |
| 501 46 85-01 | Q | 503 28 90-42 | E | 503 71 82-01 | N | 503 93 93-72 | E EPA |
| 501 46 87-01 | Q | 503 40 06-06 | H | 503 71 97-01 | A | 503 93 95-71 | C |
| 501 46 87-01 | Q | 503 42 67-01 | C | 503 73 44-01 | J | 503 94 36-01 | Q EPA |
| 501 48 54-02 | N | 503 43 18-01 | H | 503 73 54-01 | H | 503 94 37-01 | Q EPA |
| 501 51 72-01 | A,B | 503 43 20-01 | C | 503 73 64-01 | K | 503 94 38-01 | Q EPA |
| 501 54 41-02 | C | 503 43 65-01 | A | 503 74 01-02 | D | 503 94 39-01 | Q EPA |
| 501 59 80-02 | C | 503 44 32-01 | K | 503 74 43-01 | C | 503 95 15-01 | E 1,N |
| 501 61 58-01 | C | 503 52 13-01 | C | 503 74 44-01 | C,F | 503 96 45-01 | H |
| 501 63 06-01 | P | 503 52 15-01 | C | 503 74 87-02 | F N | 503 96 52-71 | E |
| 501 66 61-01 | Q | 503 53 92-01 | C | 503 74 93-01 | J | 503 96 70-01 | J |
| 501 66 69-01 | Q 2 | 503 54 39-01 | P | 503 75 11-03 | A | 503 98 74-01 | D |
| 501 66 77-01 | Q | 503 55 22-01 | E | 503 75 18-01 | J | 503 99 83-01 | A |
| 501 66 78-01 | Q | 503 55 49-01 | N | 503 75 22-01 | A | 504 02 72-13 | Q |
| 501 66 83-01 | Q | 503 55 66-01 | K | 503 75 24-01 | C | 504 13 09-05 | Q |
| 501 67 35-01 | N | 503 55 85-01 | R | 503 75 61-02 | C | 504 30 00-26 | C |
| 501 67 35-01 | N | 503 55 86-01 | R | 503 76 29-02 | A,B | 505 27 57-19 | J |
| 501 68 68-01 | J | 503 55 86-02 | R | 503 76 49-03 | A | 505 30 36-61 | Q |
| 501 69 17-01 | R | 503 56 00-04 | H | 503 76 52-01 | G | 505 31 67-17 | C |
| 501 80 24-03 | N | 503 56 24-01 | Q | 503 76 53-01 | G | 505 52 01-25 | Q |
| 501 81 57-01 | J | 503 56 34-01 | Q | 503 76 53-02 | G | 530 03 50-15 | Q |
| 501 81 96-02 | J,K | 503 57 42-01 | Q | 503 76 54-02 | G | 537 00 33-01 | Q EPA |
| 501 81 99-01 | N | 503 57 76-02 | K | 503 76 64-02 | G | 537 00 87-01 | A |
| 501 87 31-01 | K | 503 57 89-01 | J,K | 503 76 65-03 | G | 537 01 37-71 - | J |
| 501 87 53-03 | A | 503 60 04-01 | K | 503 76 92-01 | B | 537 01 55-01 | N |
| 501 91 14-01 | R | 503 62 12-01 | R | 503 77 43-01 | C | 537 01 59-01 | N |
| 502 20 65-04 | H | 503 62 49-01 | C | 503 77 52-01 | A | 537 01 65-01 | D |
| 502 20 83-02 | H | 503 62 61-01 | N | 503 77 58-02 | E | 537 01 68-01 | A |
| 502 25 47-01 | Q 2 | 503 62 64-73 | E | 503 77 59-01 | E 1 | 537 01 71-01 | J |
| 503 10 87-01 | Q | 503 62 67-71 | L | 503 77 91-01 | F | 537 01 72-01 | M |
| 503 20 02-16 | G,J | 503 62 67-72 | N | 503 78 72-01 | P | 537 01 74-01 | A |
| 503 20 07-10 | G N | 503 62 68-76 - | J | 503 79 27-01 | A | 537 01 89-01 | Q |
| 503 20 07-12 | A,J N | 503 62 72-01 | J 1 | 503 79 96-01 | Q | 537 01 90-01 | Q |
| 503 20 07-20 | N N | 503 62 73-03 | J | 503 79 99-01 | Q | 537 01 91-01 | Q |
| 503 20 07-30 | J N | 503 62 75-01 | H | 503 80 00-01 | Q | 537 02 44-01 | J |
| 503 20 08-32 | J | 503 62 77-01 | J | 503 80 04-01 | Q | 537 03 35-01 | A |
| 503 20 25-12 | A | 503 62 78-07 | D | 503 80 07-01 | Q 2 | 537 03 35-71 | A |
| 503 20 26-16 | N | 503 62 78-08 | D | 503 80 08-01 | Q | 537 03 38-01 | A |
| 503 20 34-19 | P | 503 62 80-01 | Q | 503 80 09-01 | Q | 537 03 62-02 | C N |
| 503 20 34-25 | D | 503 62 81-71 | P | 503 80 11-01 | Q | 537 03 62-03 | C N |
| 503 21 05-22 | L,M,N | 503 62 82-02 | P | 503 80 14-01 | Q | 537 04 03-01 | J |
| 503 21 06-16 | M | 503 62 83-01 | P | 503 80 15-01 | Q | 537 04 29-01 | J |
| 503 21 27-16 | R | 503 62 84-01 | J | 503 80 24-01 - | J | 537 04 41-02 | A |
| 503 21 28-10 | A,B,J,N | 503 62 86-02 | M | 503 81 13-01 | C | 537 05 16-04 | N |
| 503 21 38-01 | N N | 503 62 86-71 | M | 503 81 30-01 | C | 537 05 16-05 | N |
| 503 21 49-16 | L N | 503 63 75-02 | L,M | 503 81 45-01 | H | 537 05 16-06 | N |
| 503 21 49-16 | M,N,P | 503 63 75-03 | L | 503 81 45-02 | H | 537 06 04-01 | N |
| 503 22 00-01 | A | 503 63 76-01 | K | 503 81 45-03 | H | 537 07 13-01 | N |
| 503 22 10-11 | N | 503 63 76-02 | K | 503 81 77-01 | D | 537 07 14-01 | N |
| 503 22 24-01 | J | 503 63 79-76 - | J | 503 81 78-01 | H | 537 07 18-02 | N |
| 503 22 65-03 | H | 503 64 02-01 | N | 503 81 80-01 | H | 537 07 76-01 | Q |
| 503 23 00-04 | C | 503 64 47-01 | C | 503 81 80-02 | H | 537 07 94-01 | A |
| 503 23 00-42 | N | 503 64 72-01 | 1=compl | 503 81 80-03 | H | 537 07 95-01 | A |
| 503 23 00-42 | N | 503 64 78-01 | Q | 503 82 98-01 | K | 537 08 65-07 | P |
| 503 23 00-59 | C | 503 64 79-02 | J N | 503 83 81-02 | A | 537 08 65-08 | P |
| 503 23 00-63 | A | 503 66 53-01 | H | 503 84 01-01 | C | 537 08 65-10 | P |
| 503 23 00-66 | A | 503 66 74-01 | H EPA | 503 84 61-01 | J | 537 08 65-11 | P |
| 503 23 01-01 | N | 503 67 86-01 | J | 503 85 58-01 | Q | 537 08 67-01 | P |
| 503 23 01-01 | N | 503 68 41-01 | H | 503 85 59-01 | Q | 537 08 72-01 | N |
| 503 23 43-02 | P | 503 68 45-02 | N | 503 85 73-01 | J | 537 08 92-01 | J |
| 503 23 51-08 | E | 503 68 82-01 | Q | 503 85 96-01 | P | 537 09 54-01 | J |
| 503 23 85-65 | N | 503 69 12-71 | E | 503 89 56-01 | K | 537 16 22-01 | N |
| 503 25 56-01 | E,F | 503 69 14-71 | E | 503 89 56-02 | K | 720 12 40-20 | K |

1 = 503 64 72-01
2 = 503 64 78-01

Set of gaskets, Dichtungssatz,
Jeu de joints, Juego de juntas,
Packningssats

N = New part, Neues teil,
Nouvelle piece, Nueva pieza
Ny detalj

EPA = Environmental Protection Agency
(for USA only)



| PART NUMBER | SQUARE NOTE | PART NUMBER | SQUARE NOTE | PART NUMBER | SQUARE NOTE | PART NUMBER | SQUARE NOTE |
|--------------|-------------|-------------|-------------|-------------|-------------|-------------|-------------|
| 720 12 72-20 | K | | | | | | |
| 724 12 87-59 | G | | | | | | |
| 725 53 05-55 | H | | | | | | |
| 725 53 29-56 | C | | | | | | |
| 725 53 31-55 | J | | | | | | |
| 725 53 33-55 | E | | | | | | |
| 725 53 70-55 | G | | | | | | |
| 731 23 14-01 | H | | | | | | |
| 737 43 12-00 | E | | | | | | |
| 738 22 02-25 | F | | | | | | |
| 740 48 07-02 | A | | | | | | |

1 = 503 64 72-01
2 = 503 64 78-01

Set of gaskets, Dichtungssatz,
Jeu de joints, Juego de juntas,
Packningssatz

N = New part, Neues teil,
Nouvelle piece, Nueva pieza
Ny detalj

EPA = Environmental Protection Agency
(for USA only)