

IPL, 372, 372 EPA, 362 Special, 362 Special EPA, 2001-10, 106 26 04-62

372, 372 EPA, 362 Special, 362 Special EPA

Spare parts

Replaces

Ersatzteile

Ersetzt

Pièces détachées

Remplace

Reserve onderdelen

Vervangt

Repuestos

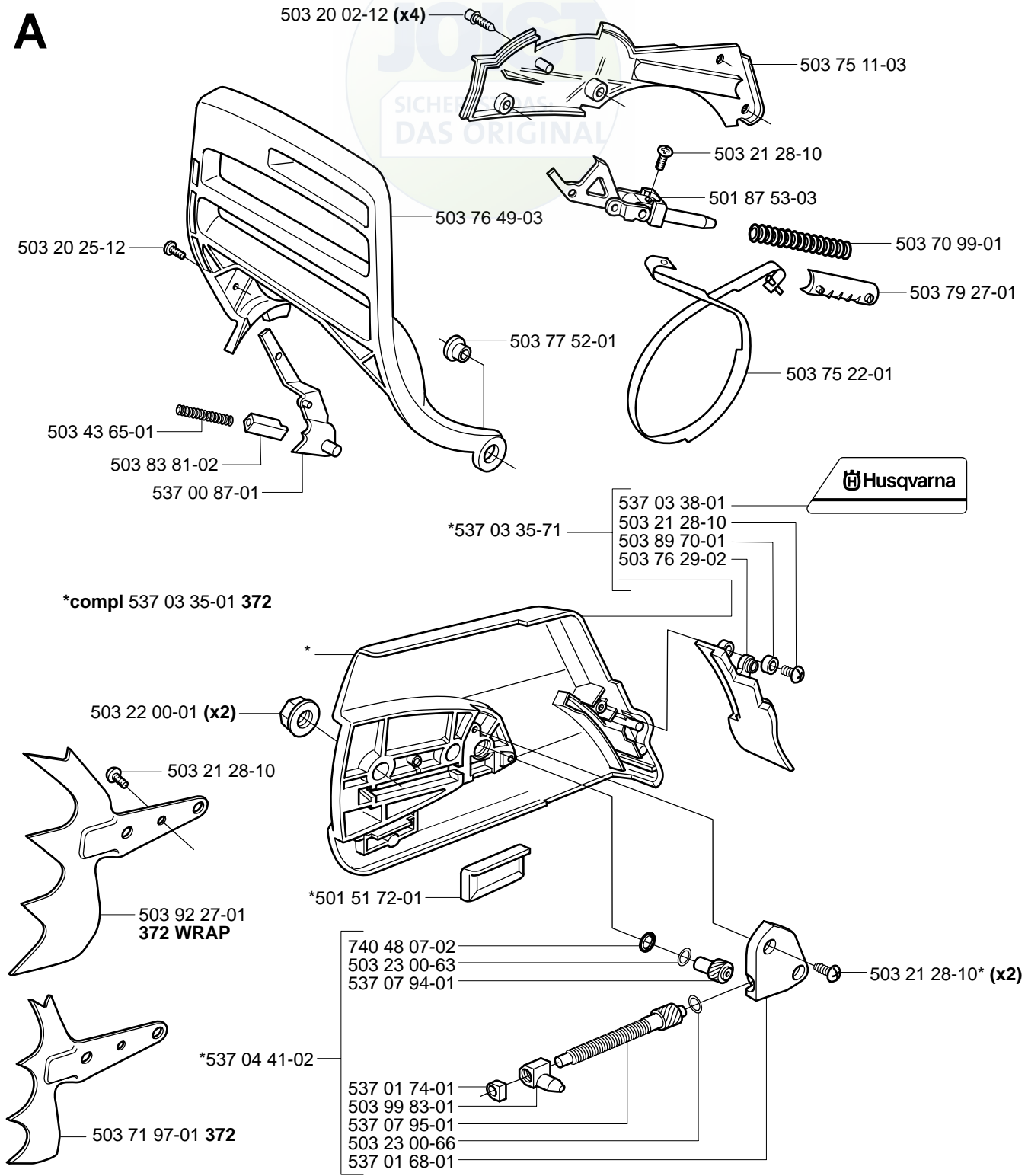
Reemplaza

Reservdelar

Ersätter

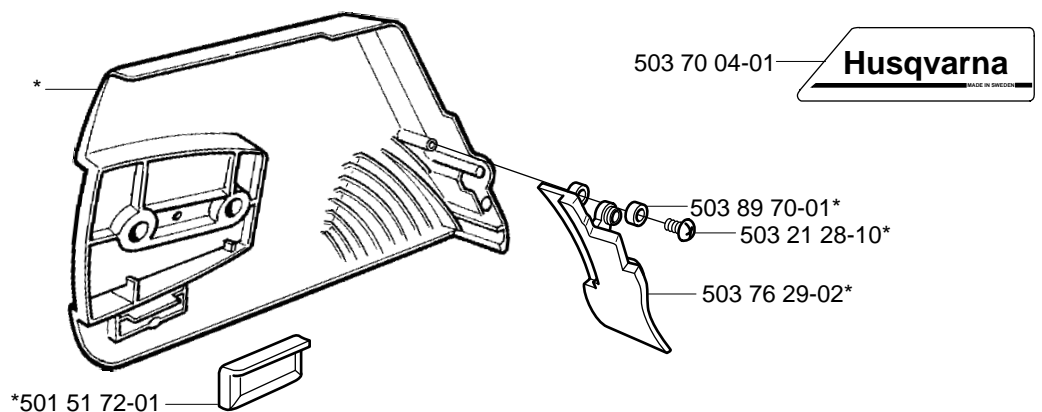
106 26 04-61

A

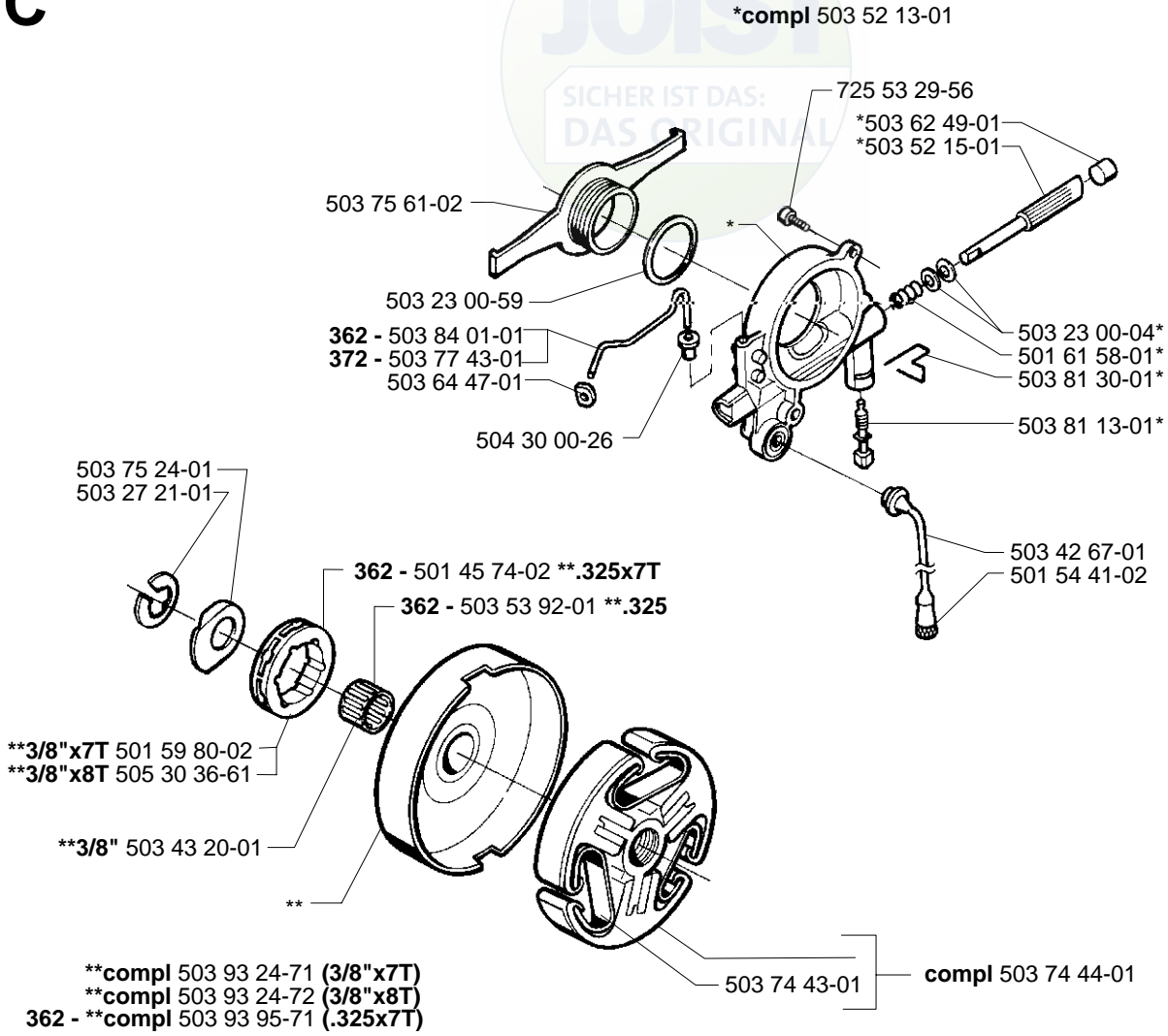


B

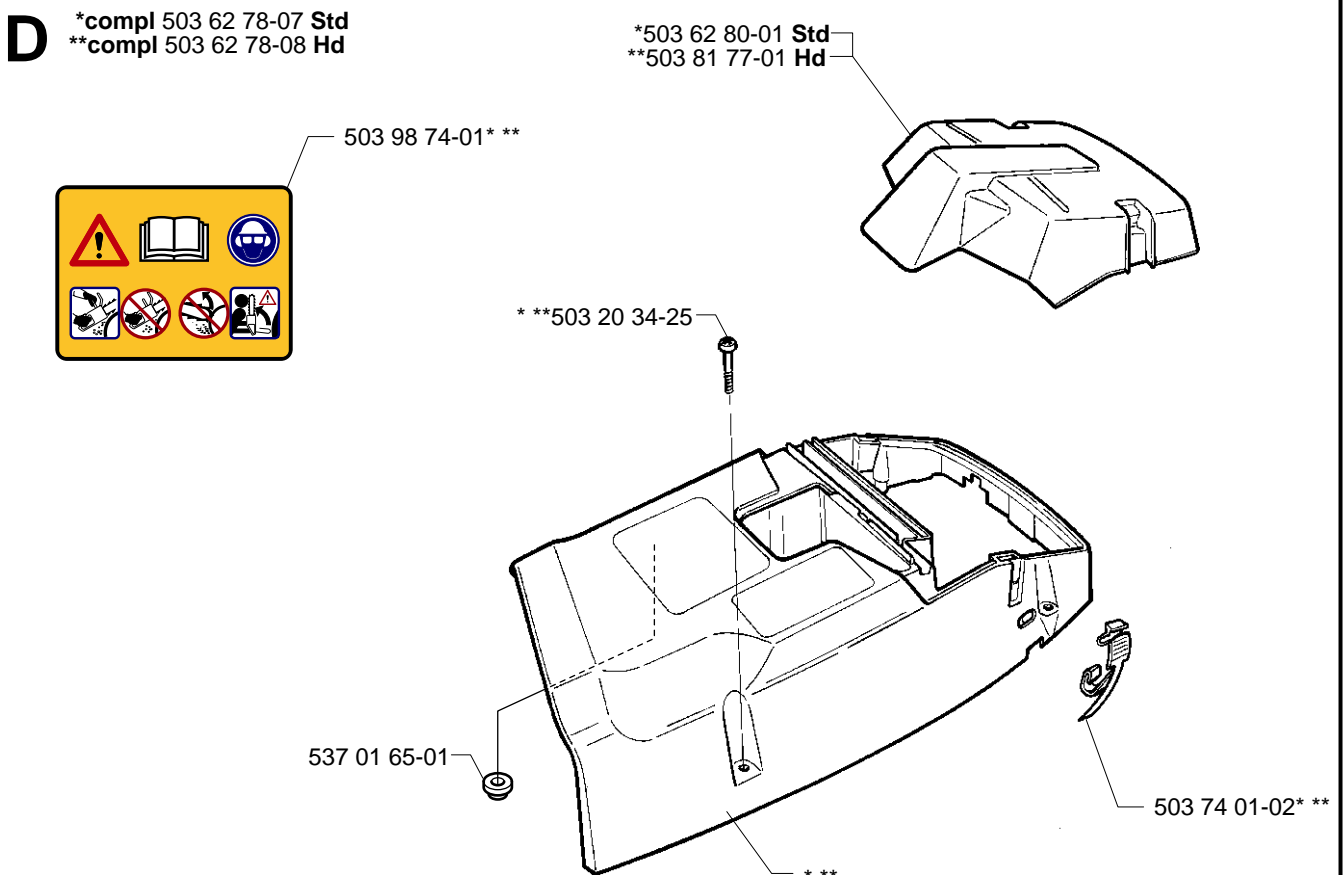
*compl 503 76 92-01 362



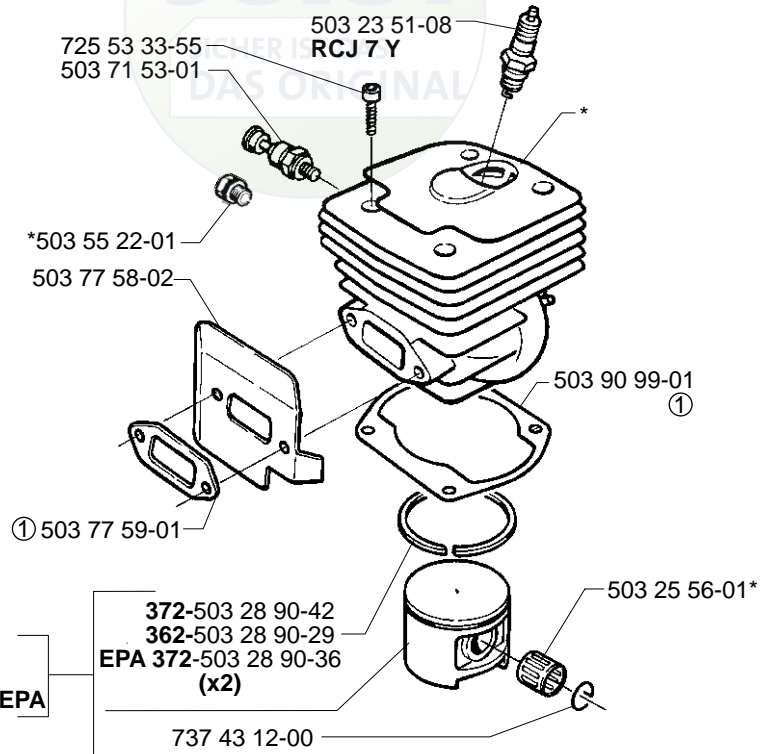
C



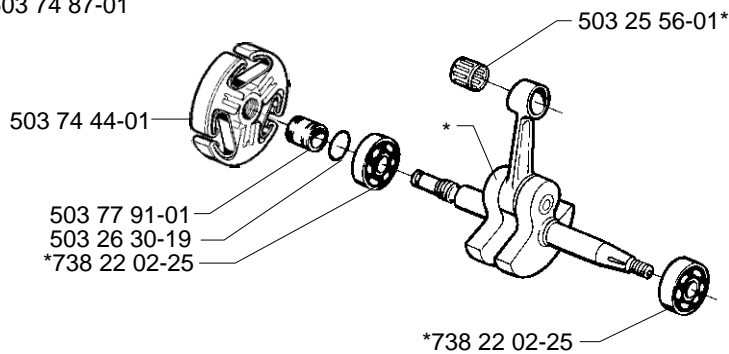
D



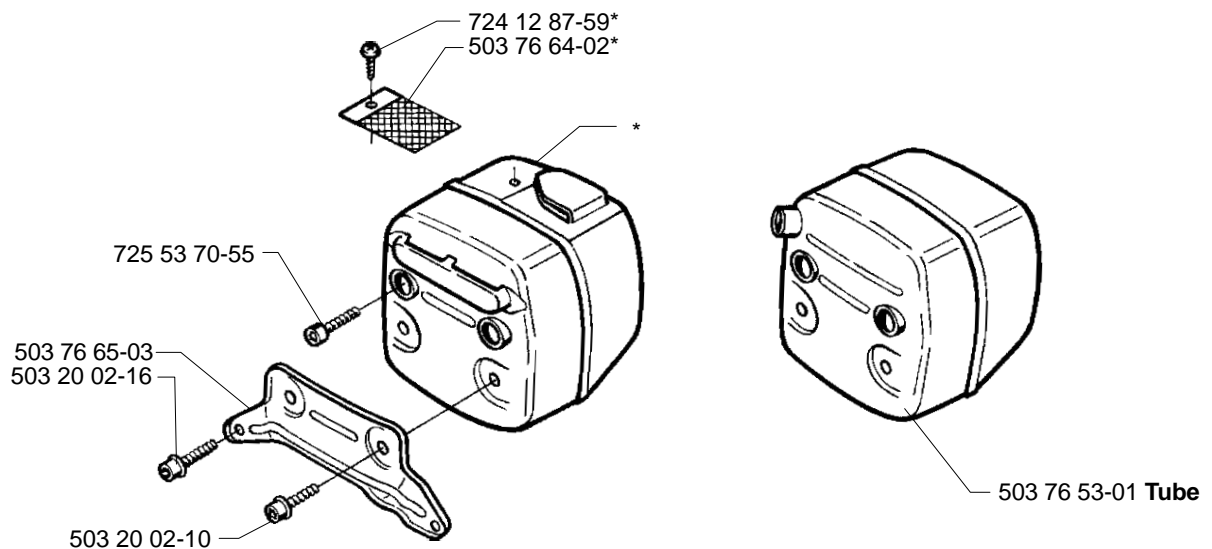
E *compl 503 62 64-73 - 372
 *compl 503 96 52-71 - 362
 *compl 503 93 93-72 - 372 EPA



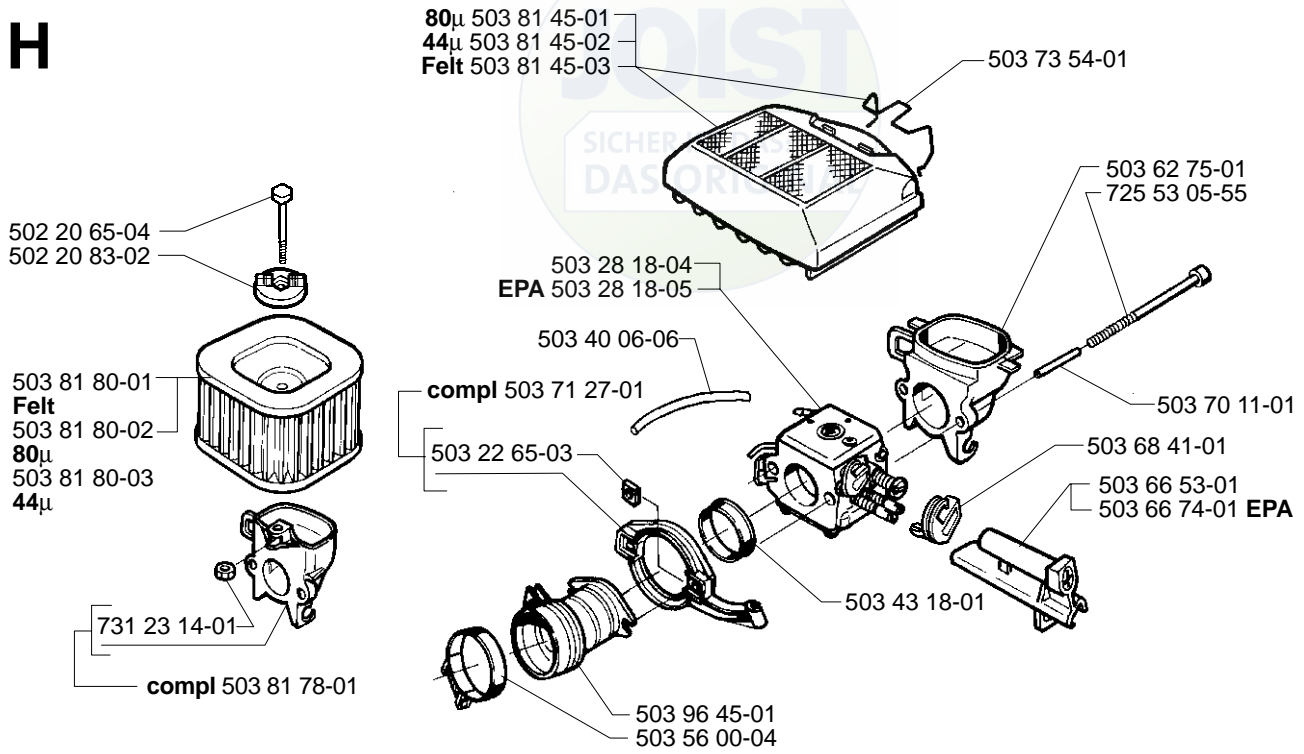
F *compl 503 74 87-01



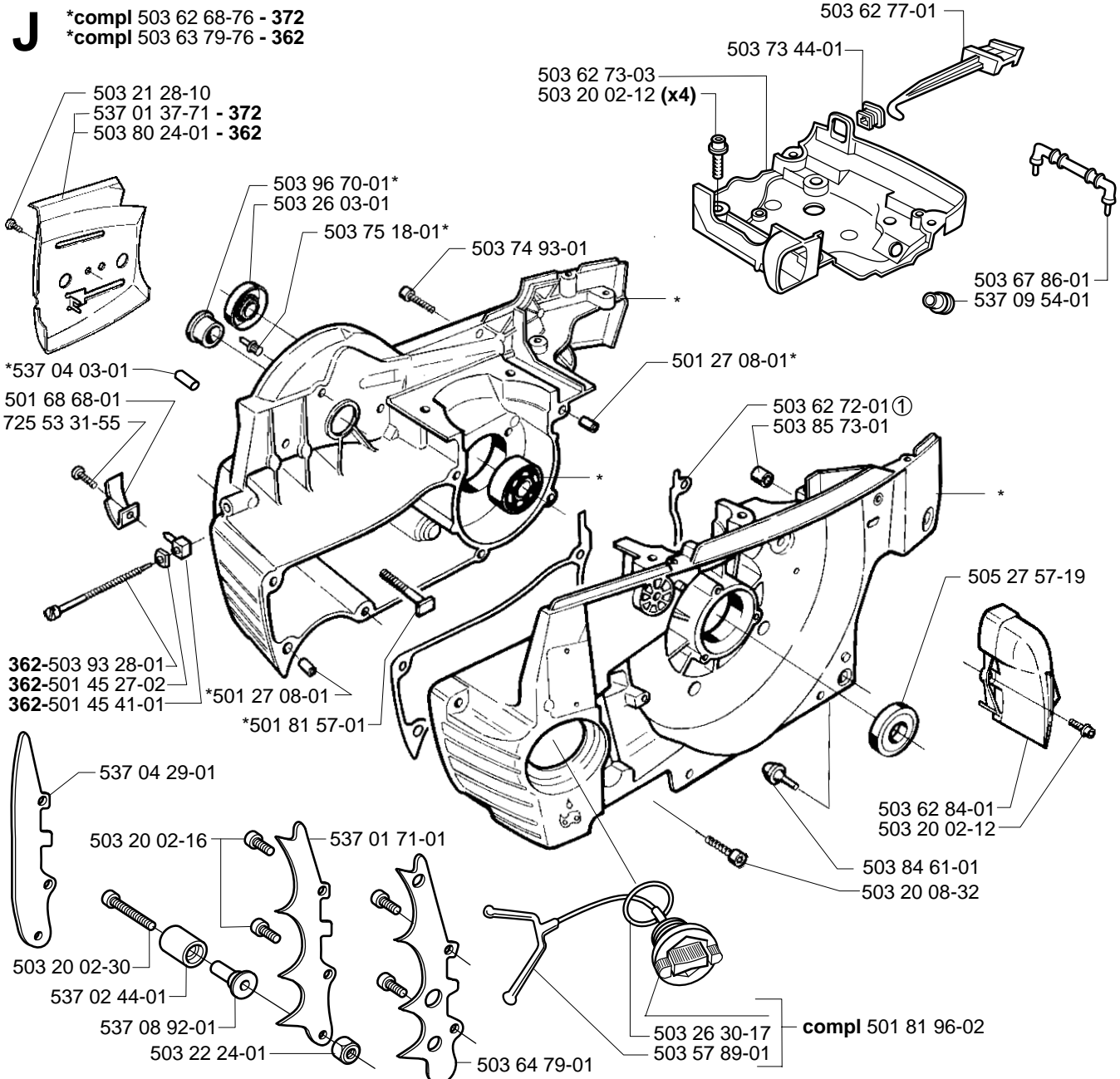
G compl 503 76 52-01 FG
 *compl 503 76 53-02 Jungle
 *compl 503 76 54-02 DF



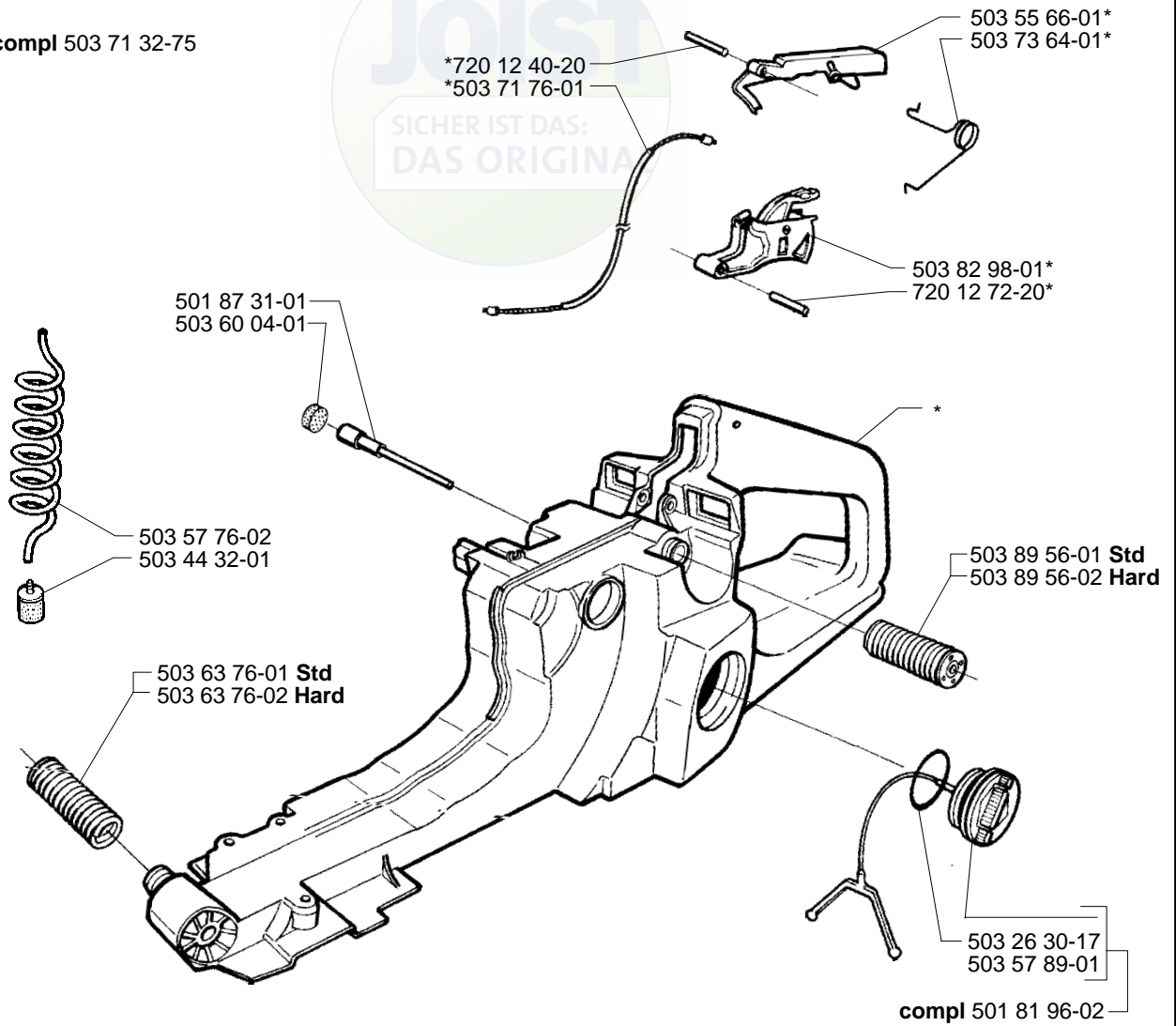
H



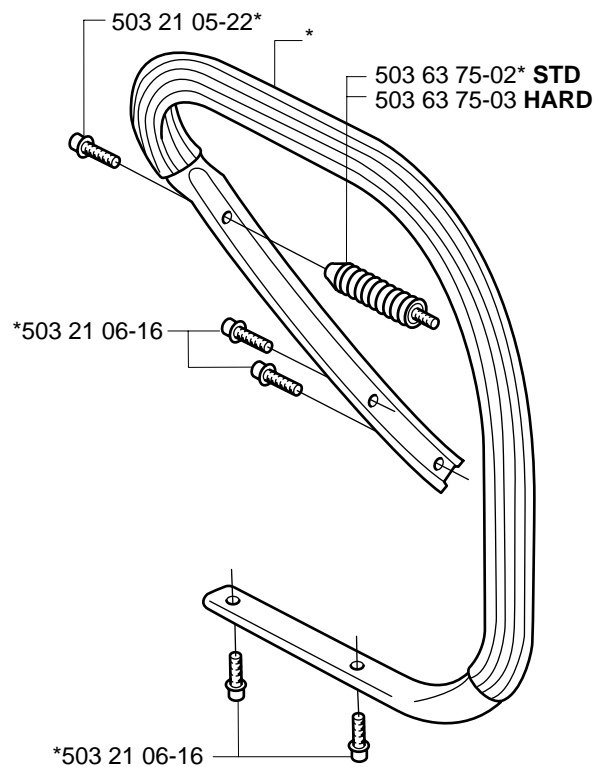
J



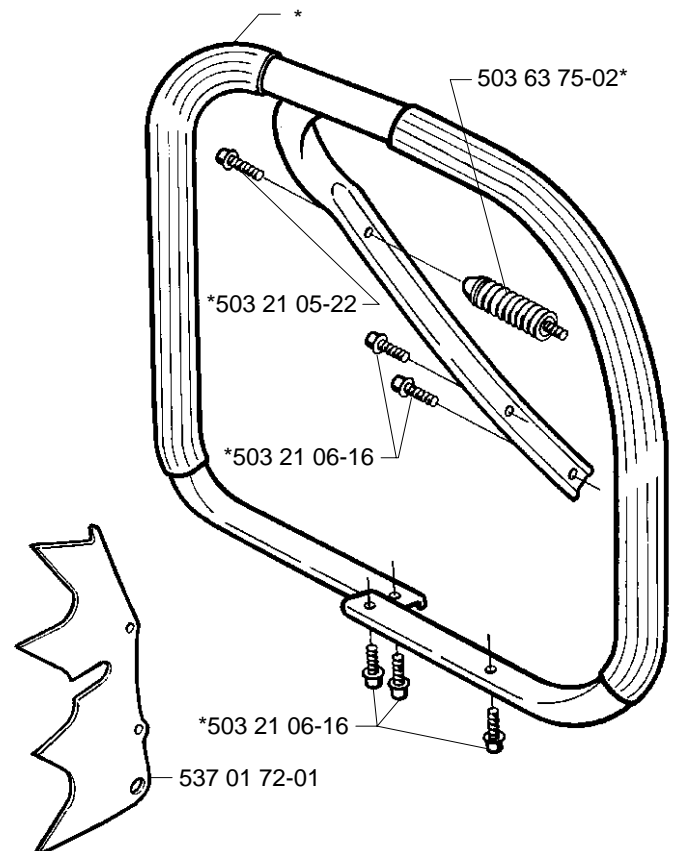
K *compl 503 71 32-75

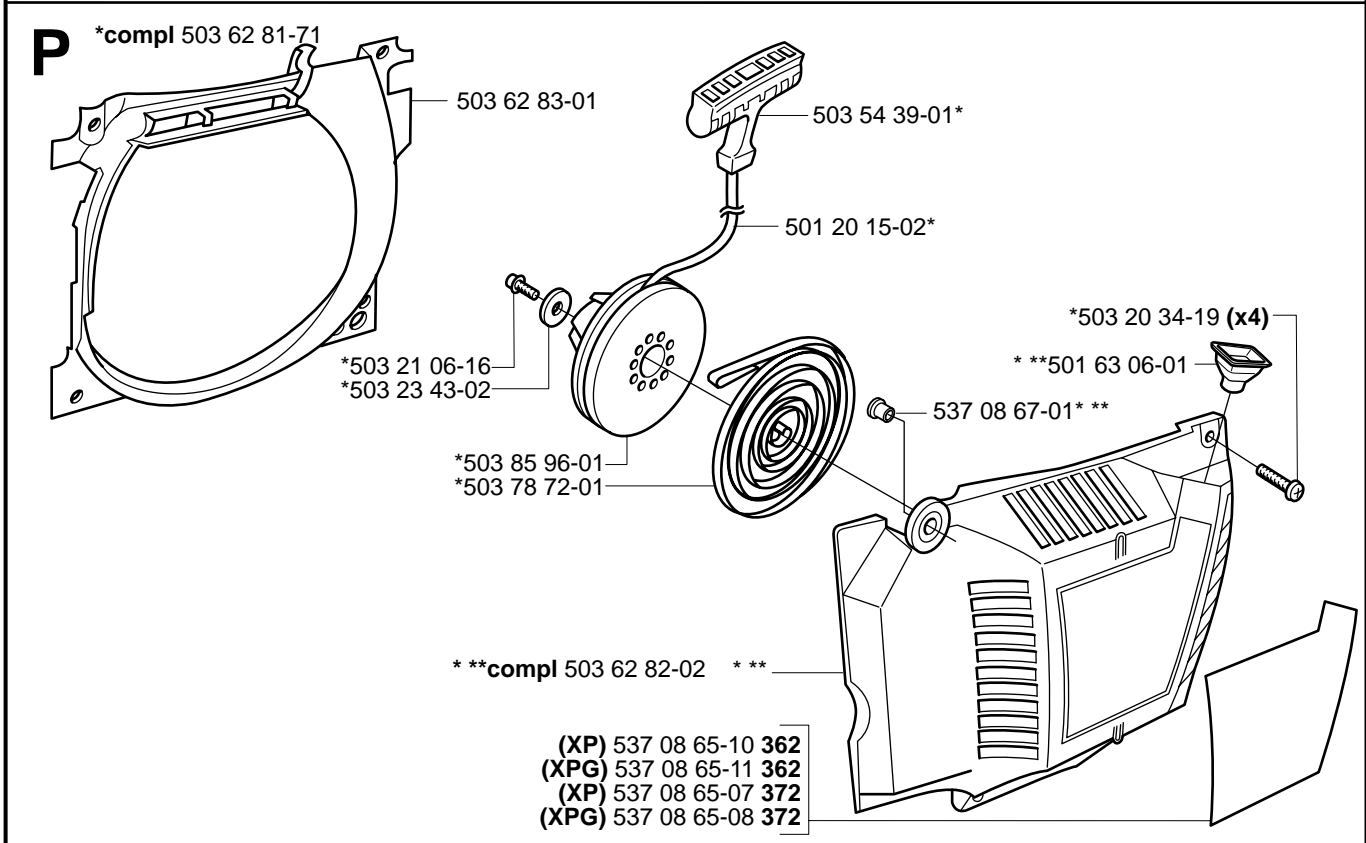
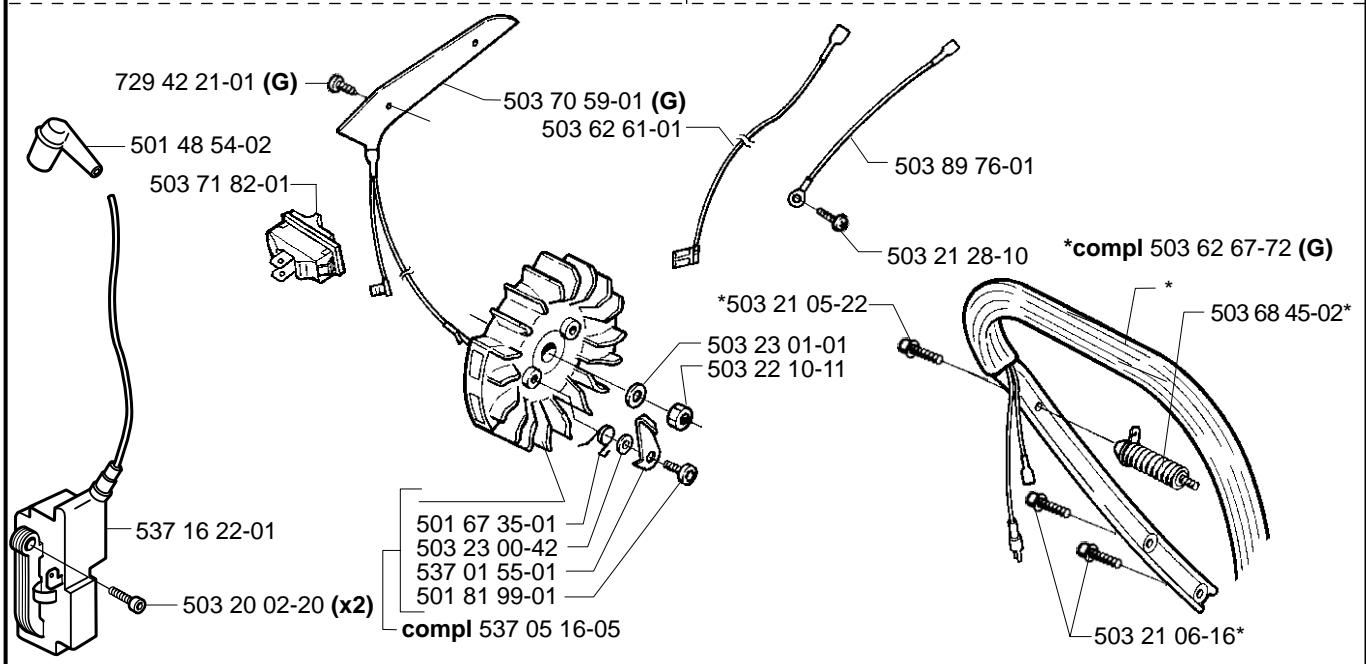
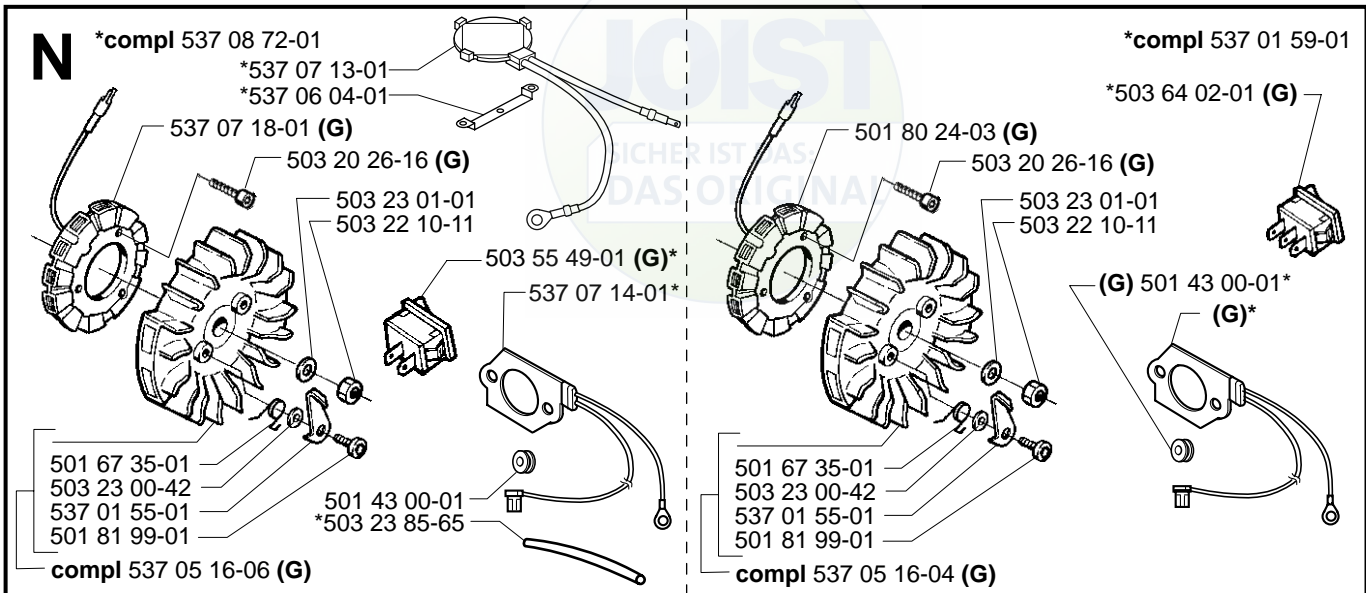


L *compl 503 62 67-71



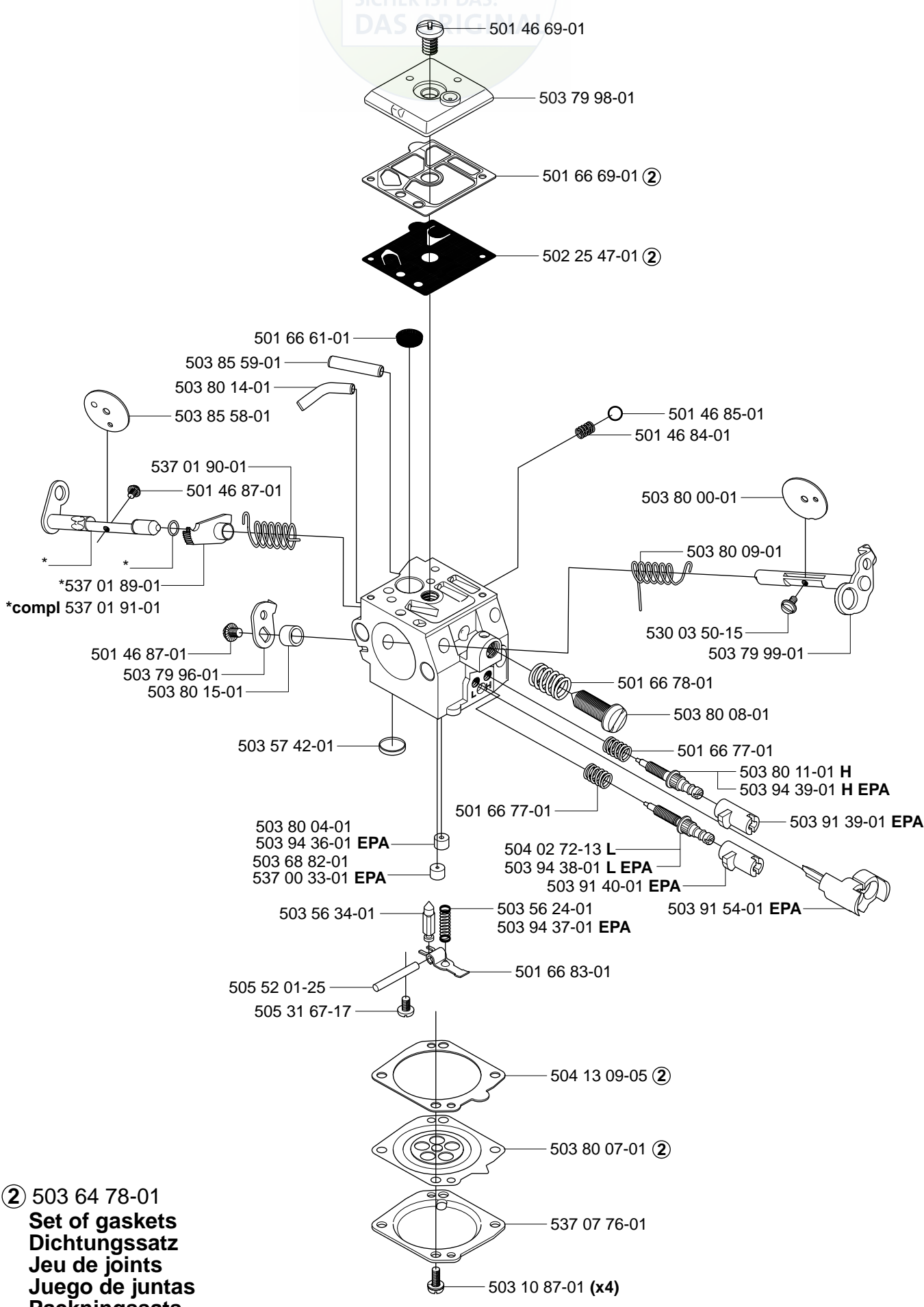
M *compl 503 62 86-71 WRAP
*compl 503 62 86-02 WA G





Q compl 503 28 18-04
 compl 503 28 18-05 EPA

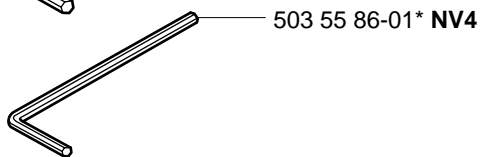
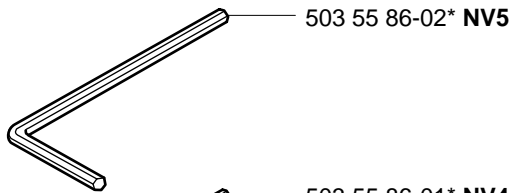
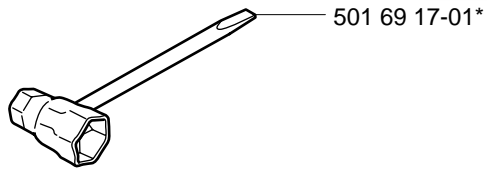
Walbro HD-6B
Walbro HD-12B EPA



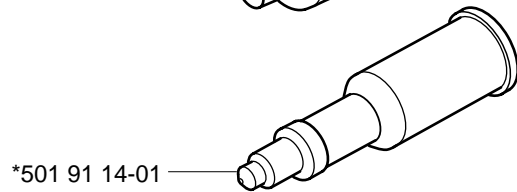
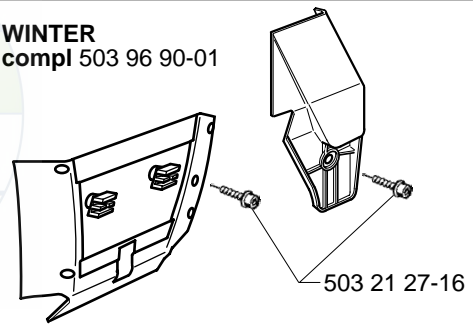
② 503 64 78-01
Set of gaskets
Dichtungssatz
Jeu de joints
Juego de juntas
Packningssats

R Accessories
Zubehöre
Accessories
Accessorios
Tillbehör

*compl 503 55 85-01



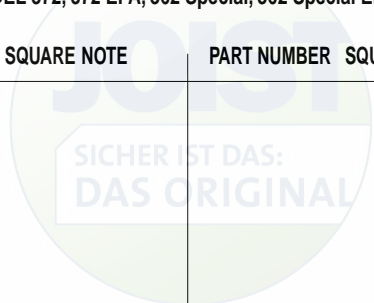
WINTER
compl 503 96 90-01



For Husqvarna Parts Call 606-678-9623 or 606-561-4983

MODEL 372, 372 EPA, 362 Special, 362 Special EPA

PART NUMBER	SQUARE NOTE	PART NUMBER	SQUARE NOTE	PART NUMBER	SQUARE NOTE	PART NUMBER	SQUARE NOTE
725 53 70-55	G						
729 42 21-01	N						
731 23 14-01	H						
737 43 12-00	E						
738 22 02-25	F						
740 48 07-02	A						



1 = 503 64 72-01
2 = 503 64 78-01

Set of gaskets, Dichtungssatz,
Jeu de joints, Juego de juntas,
Packningssats

N = New part, Neues teil,
Nouvelle piece, Nueva pieza
Ny detalj

EPA = Environmental Protection Agency
(for USA only)