



For Husqvarna Parts Call 606-678-9623 or 606-561-4983



SERVICE			7
			I0300154

IPL, 365 Special, 365 Special EPA, 2003-11, 106 26 03-63

365 Special, 365 Special EPA

Spare parts

Replaces

Ersatzteile

Ersetzt

Pièces détachées

Remplace

Reserve onderdelen

Vervangt

Repuestos

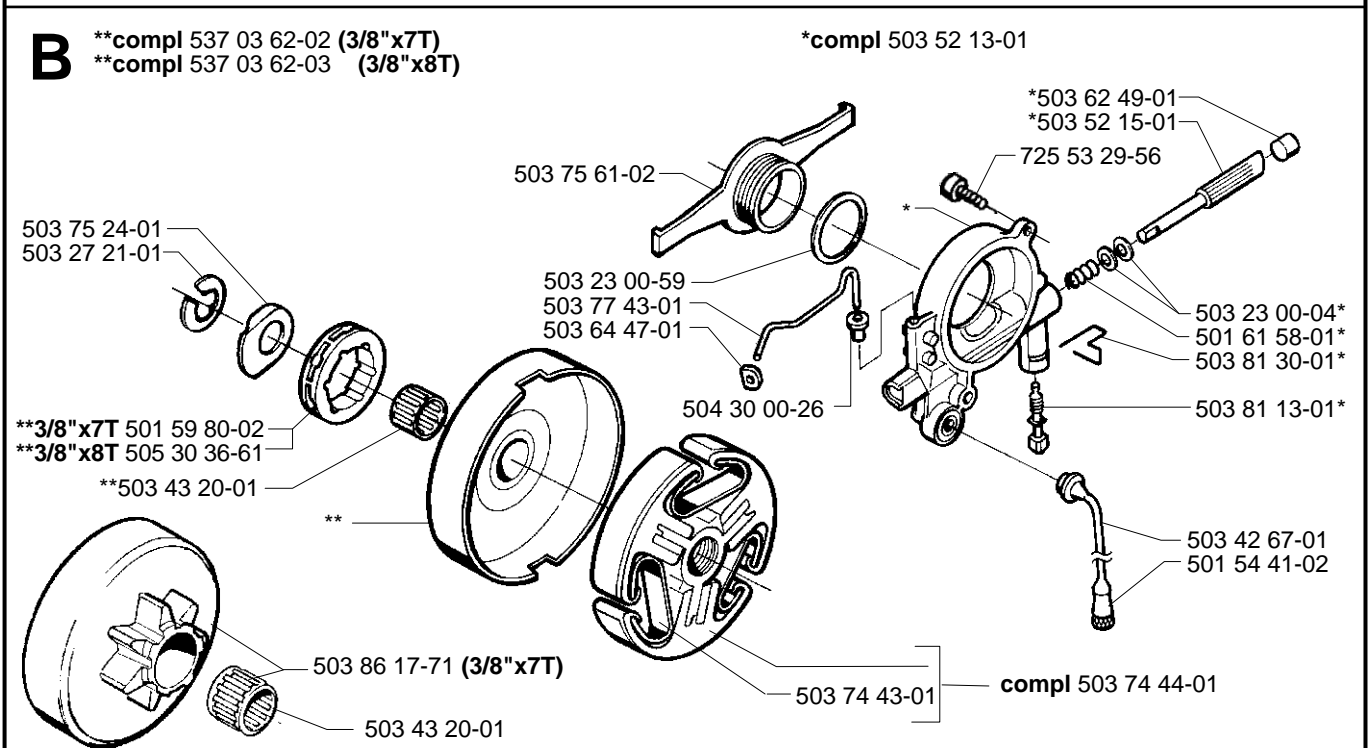
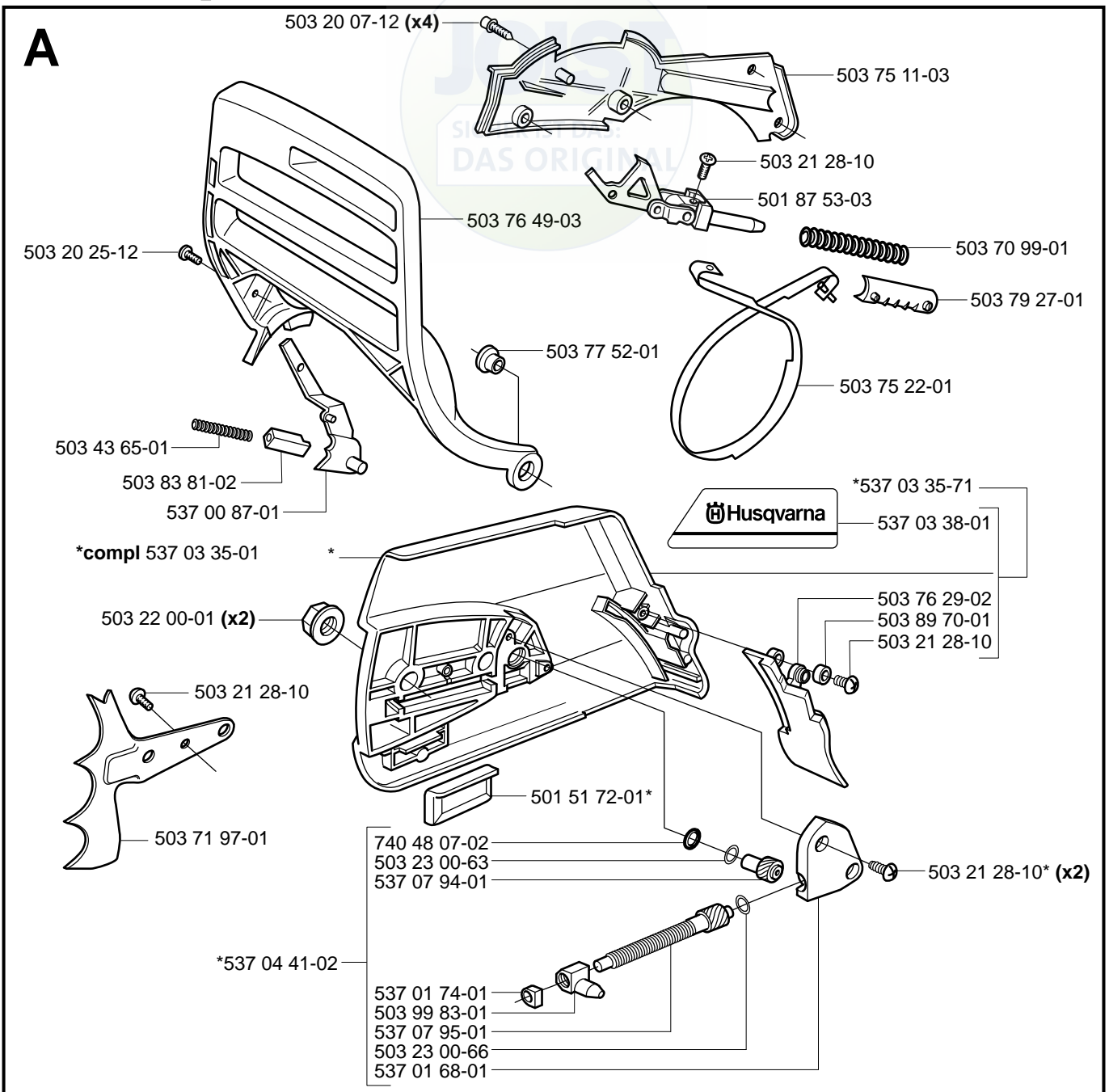
Reemplaza

Reservdelar

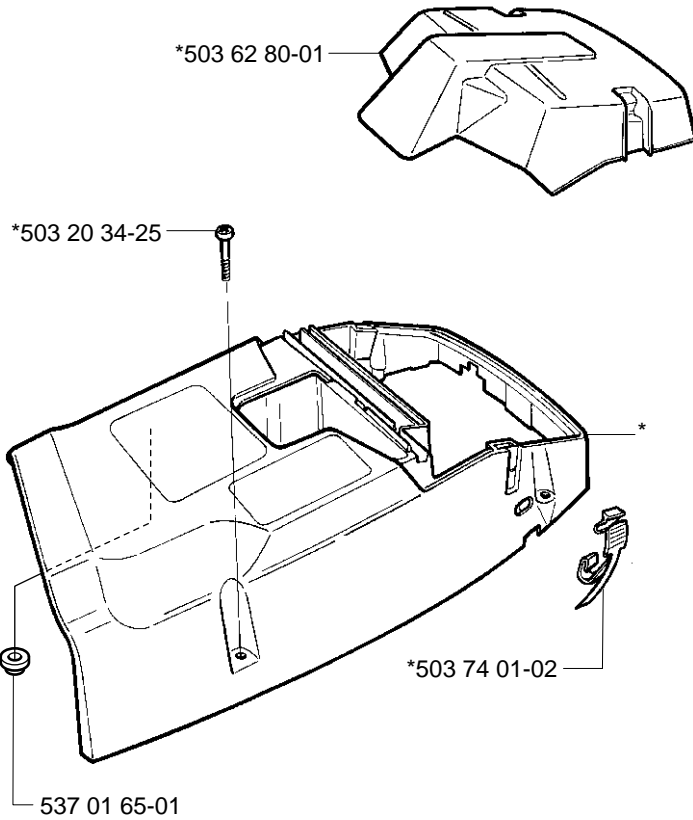
Ersätter

106 26 03-62

106 26 03-63

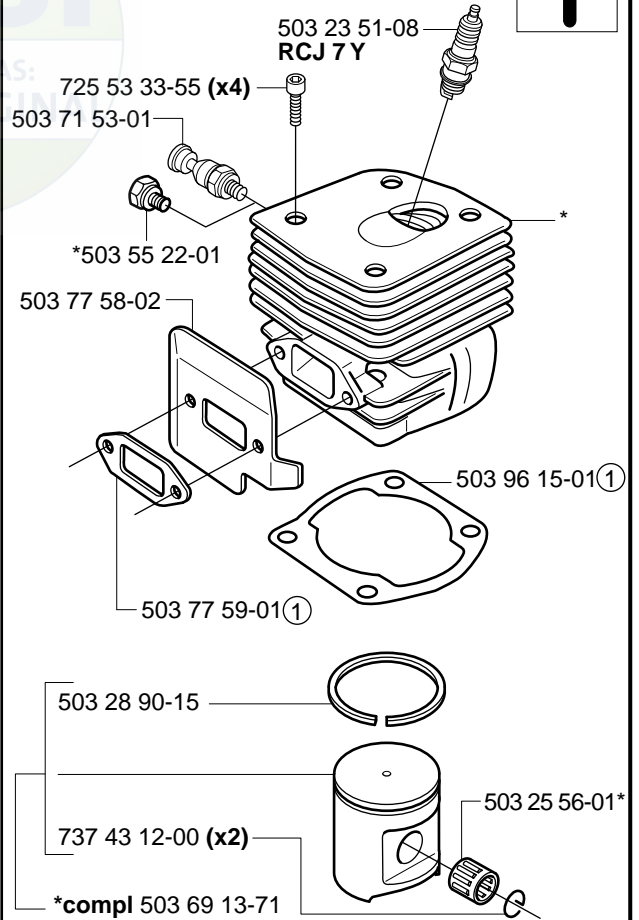
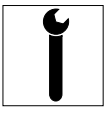


C *compl 503 62 78-07

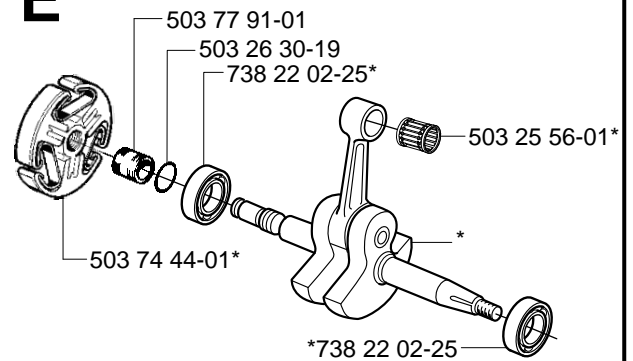


503 98 74-01*

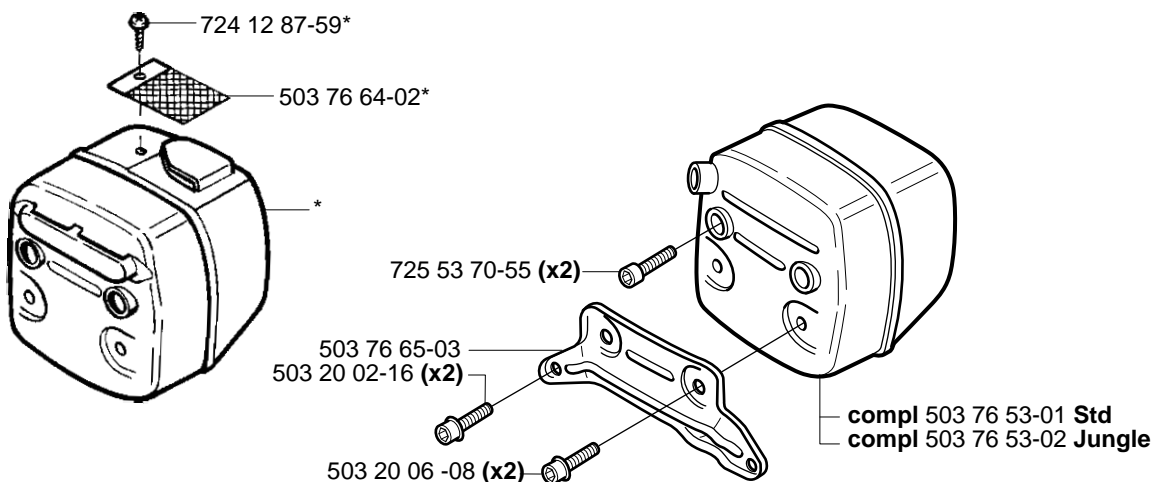
D *compl 503 69 10-73
*compl 503 93 90-05 EPA



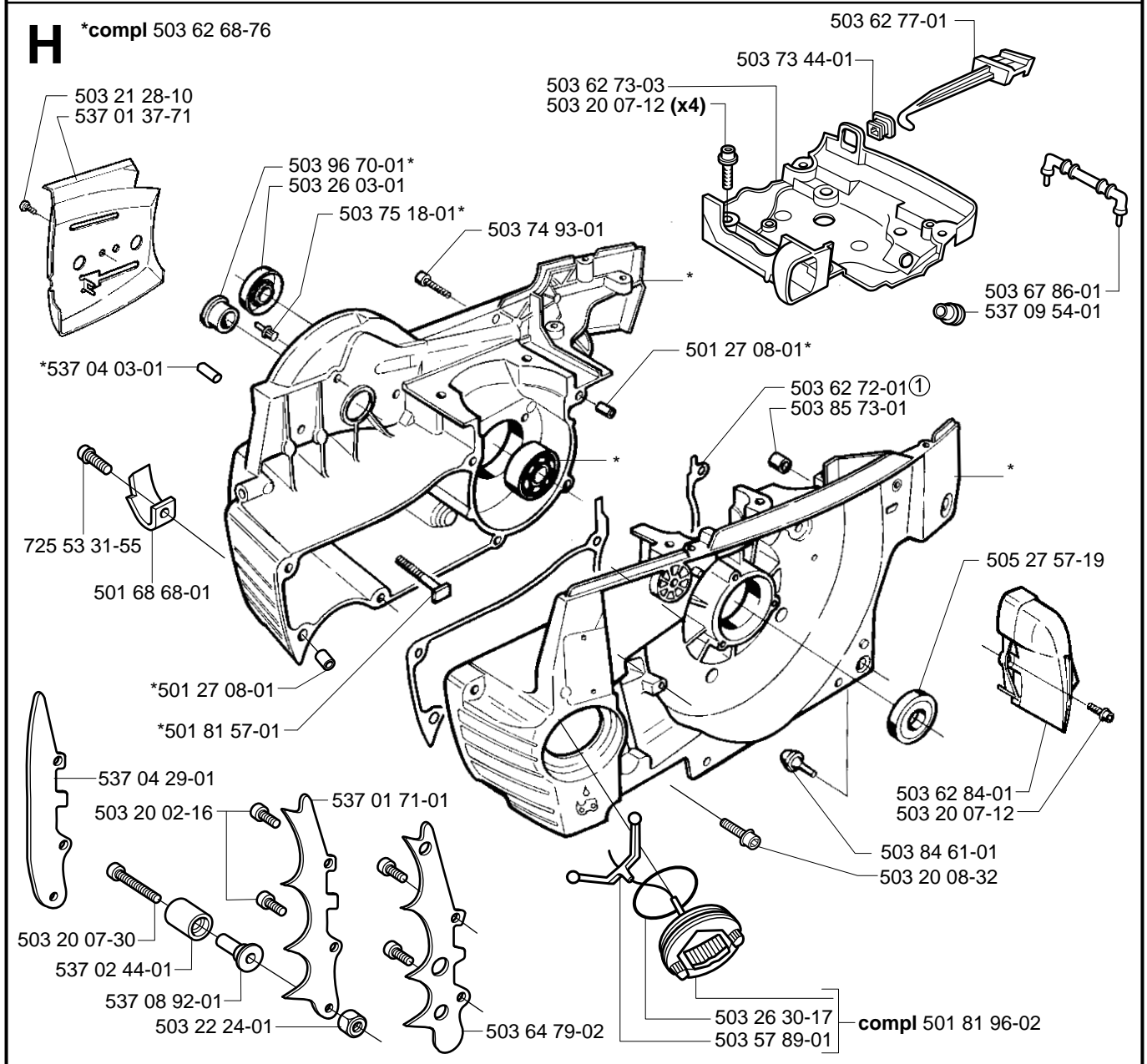
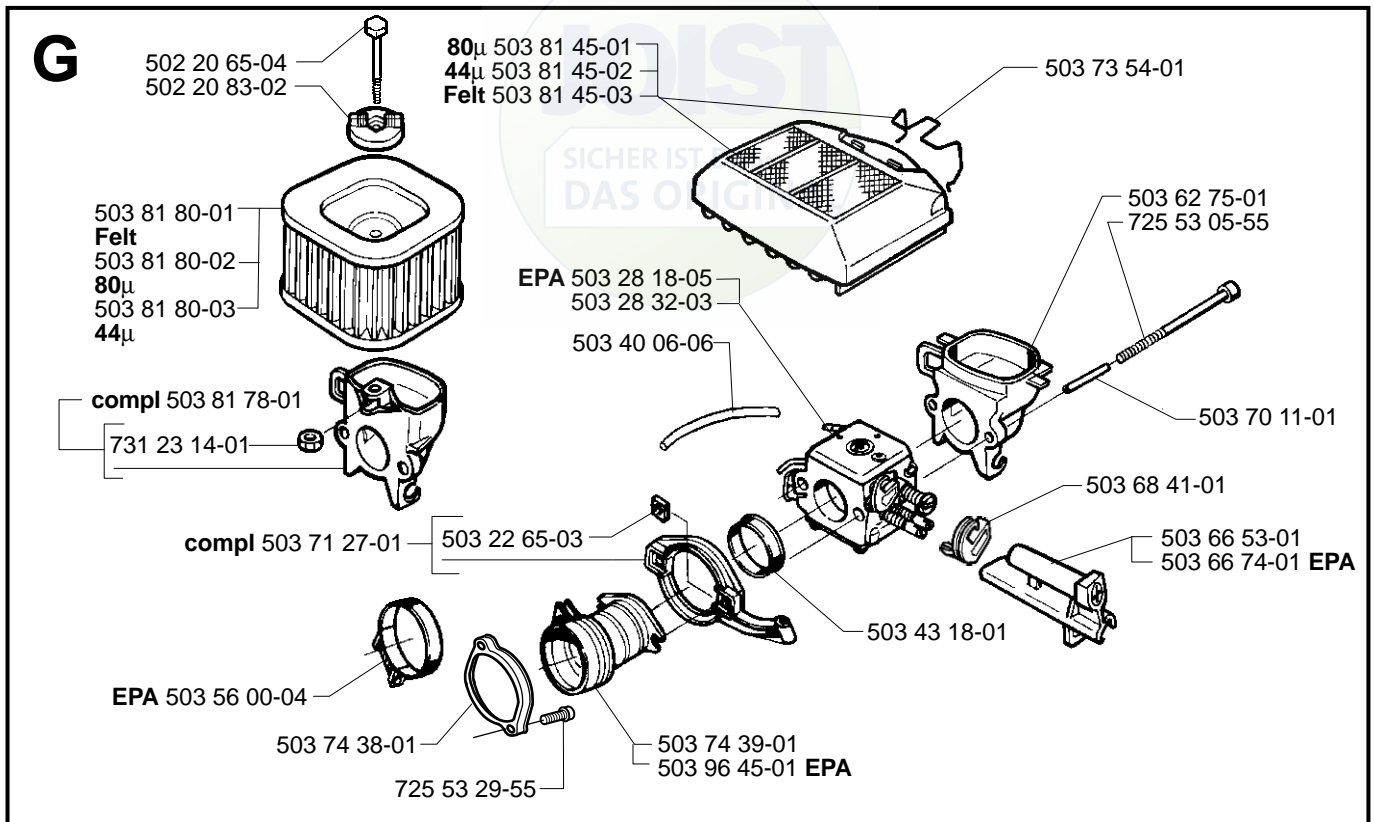
E *compl 503 74 87-02



F compl 503 76 52-01 FG
*compl 503 76 54-02 DF

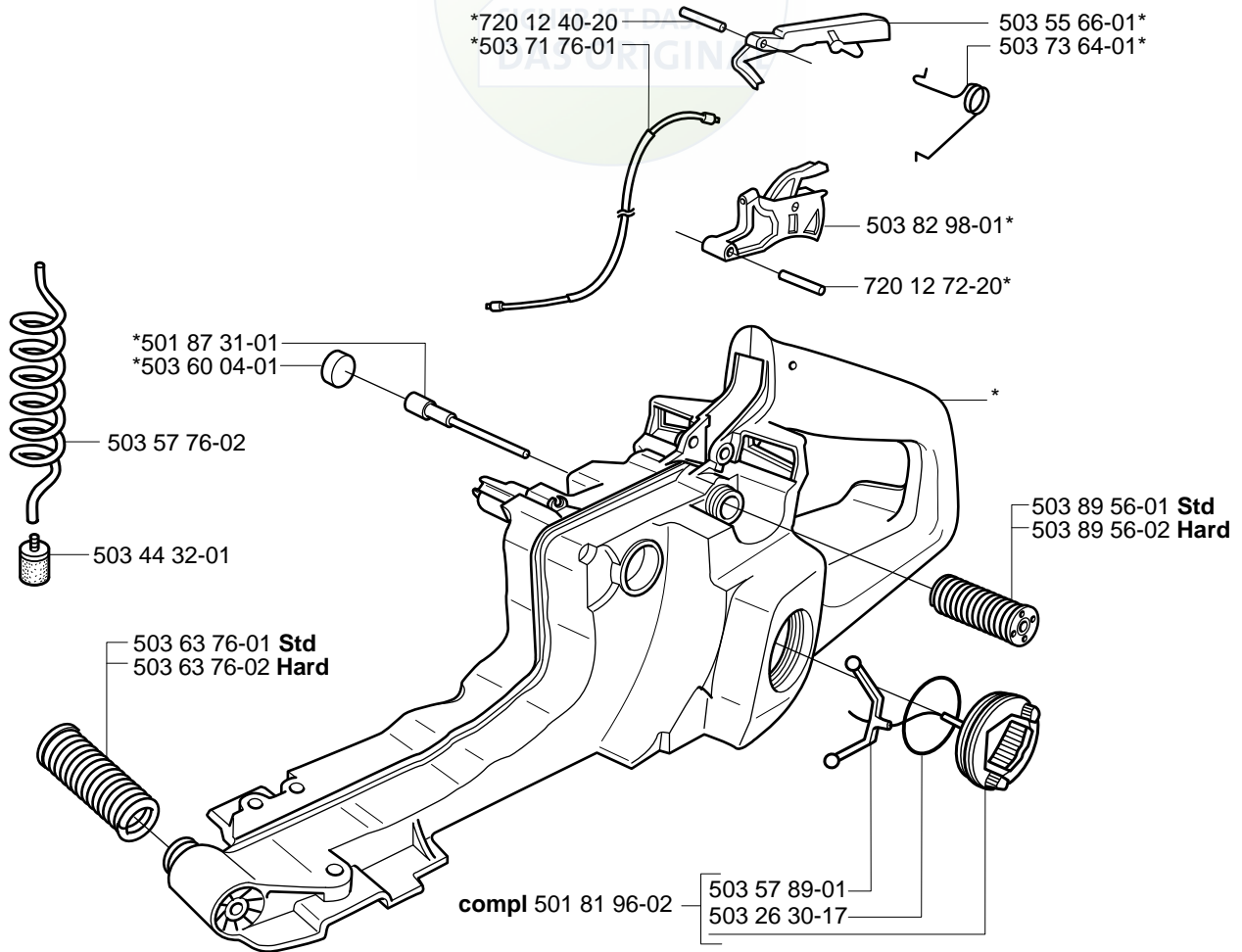


compl 503 76 53-01 Std
compl 503 76 53-02 Jungle



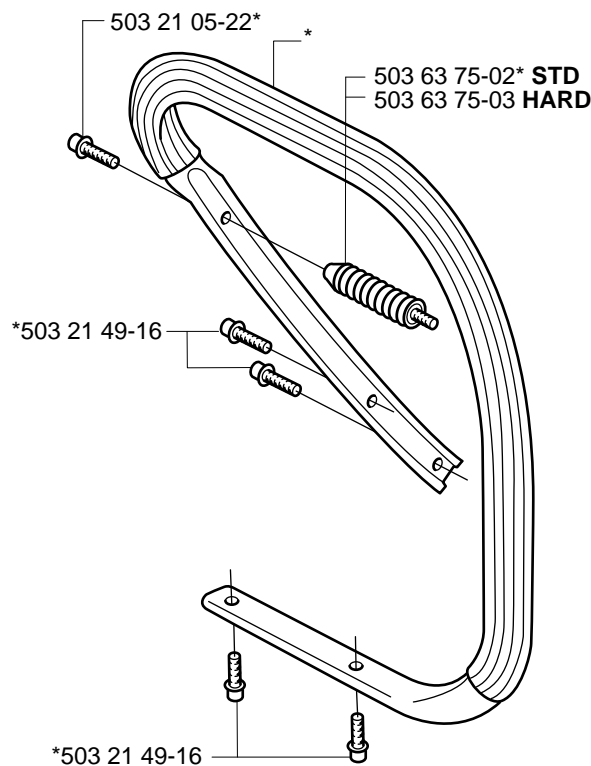
J

*compl 503 71 32-75

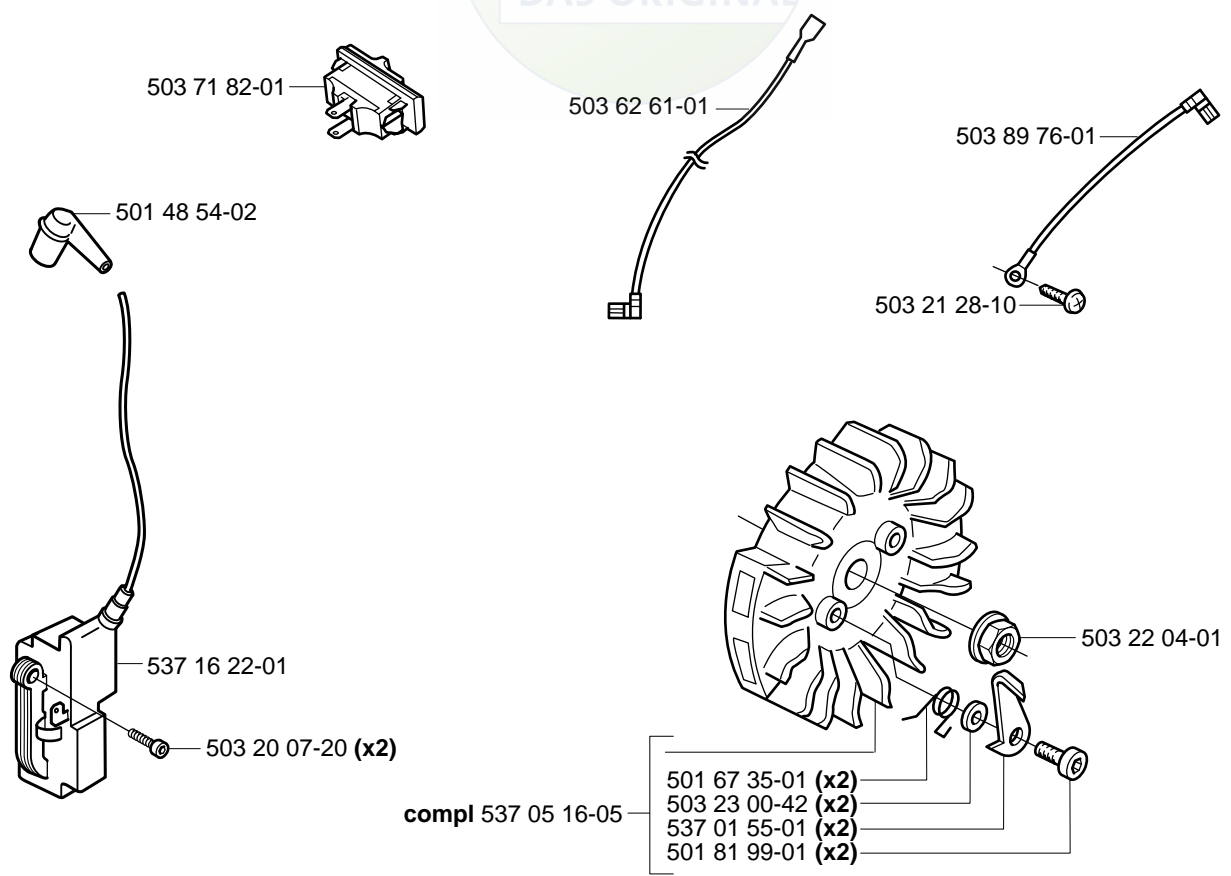


K

*compl 503 62 67-71

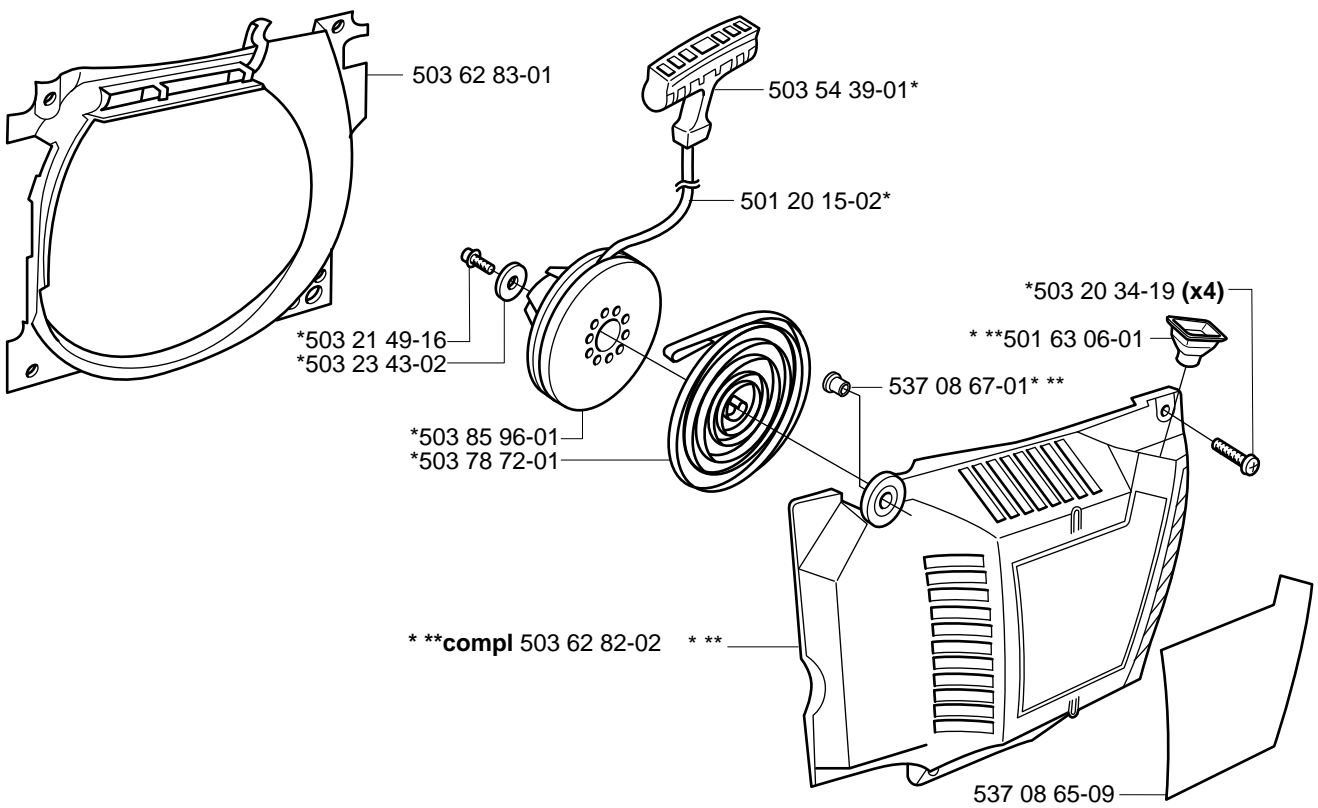


L



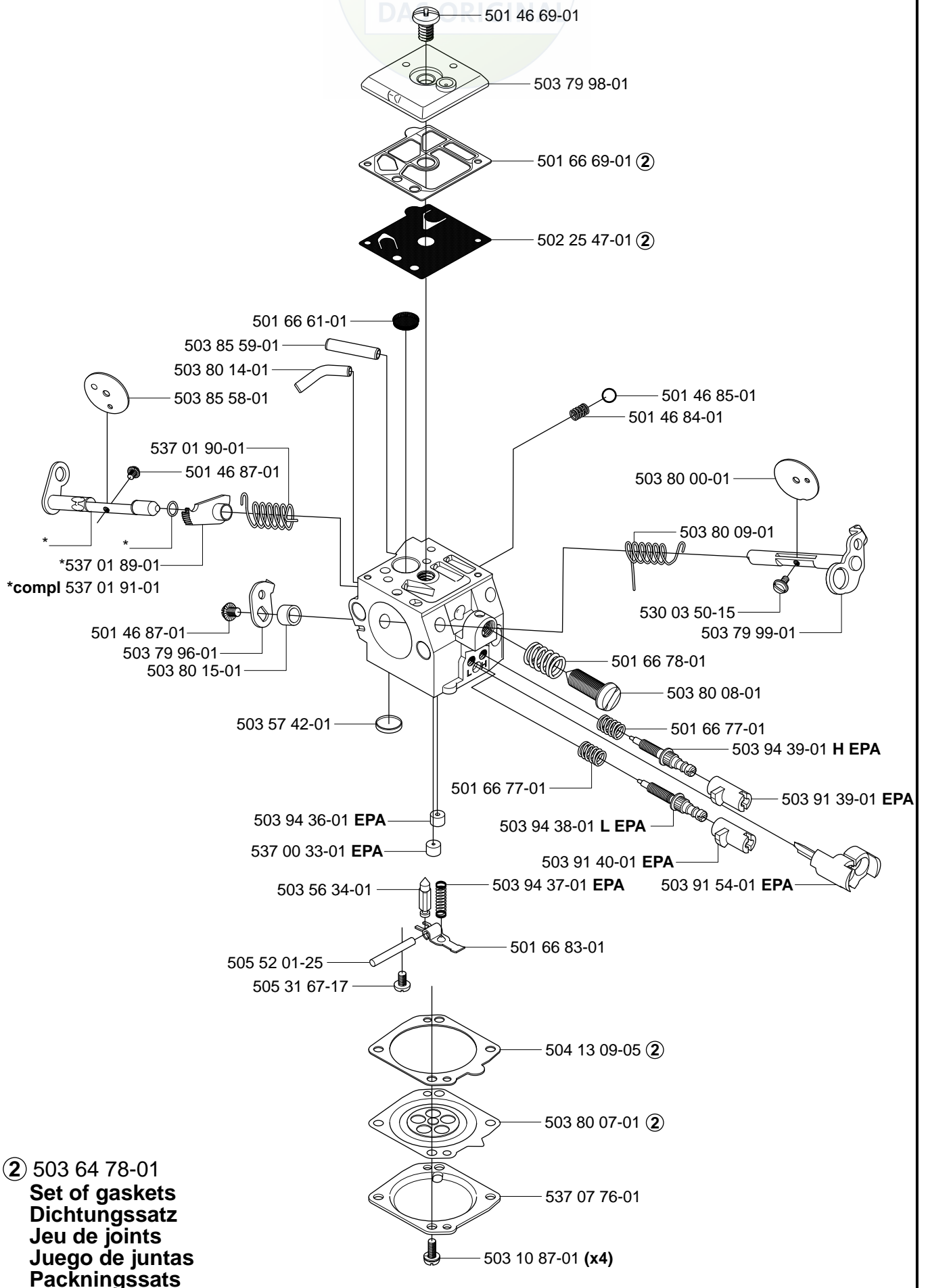
M

*compl 503 62 81-71



N compl 503 28 18-05 EPA

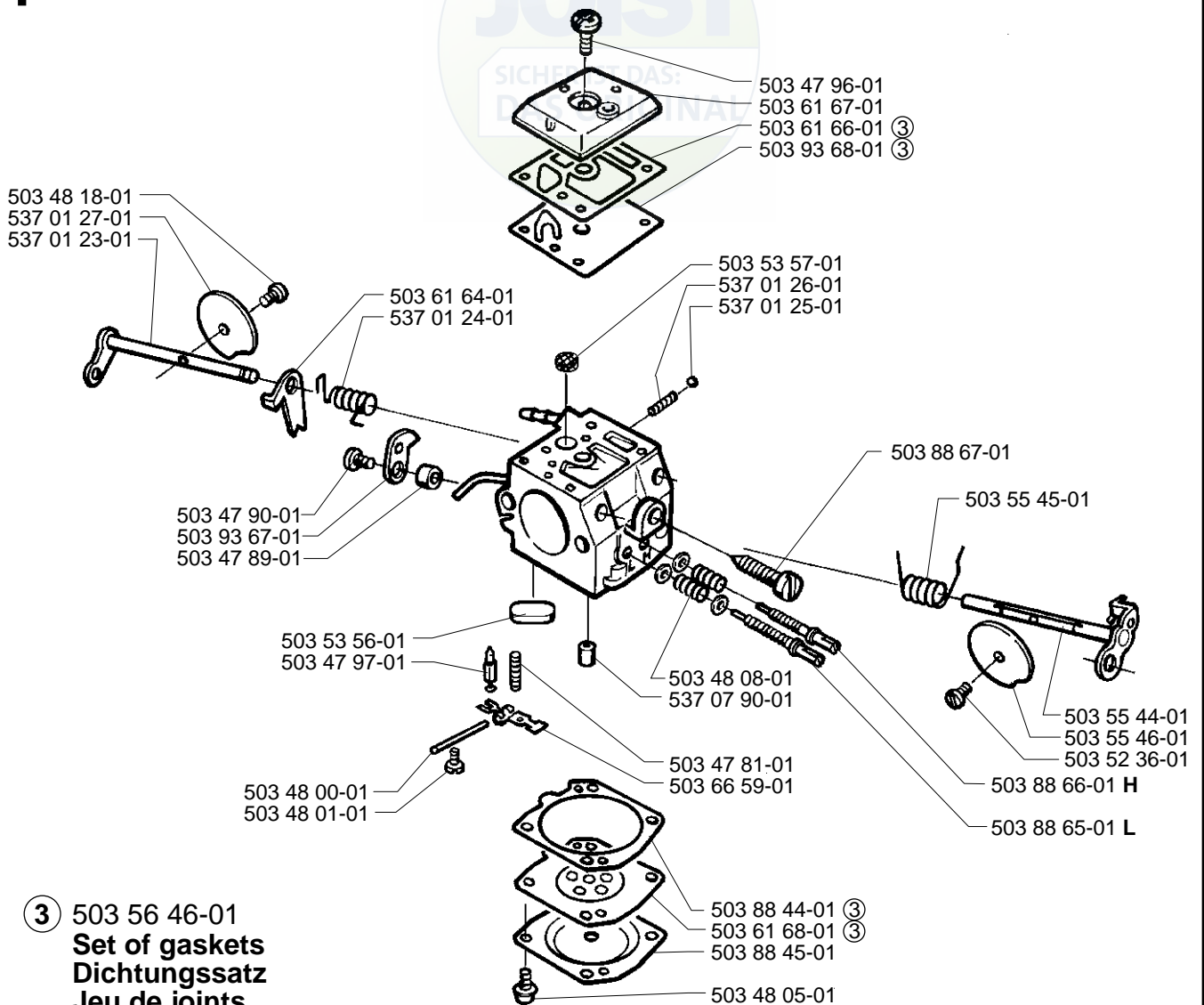
Walbro HD-12B EPA



② 503 64 78-01
Set of gaskets
Dichtungssatz
Jeu de joints
Juego de juntas
Packingsatz

P compl 503 28 32-03

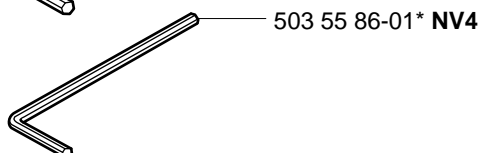
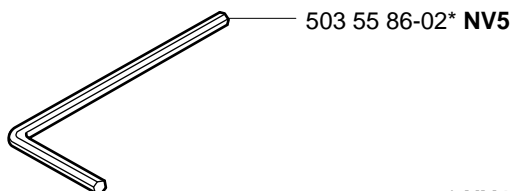
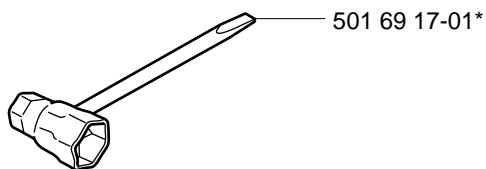
Zama C3M-EL2C



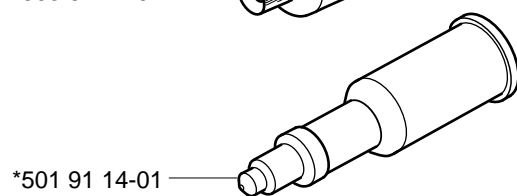
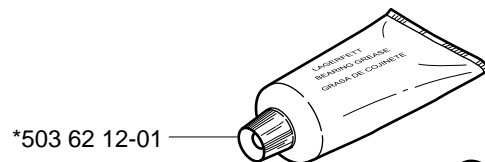
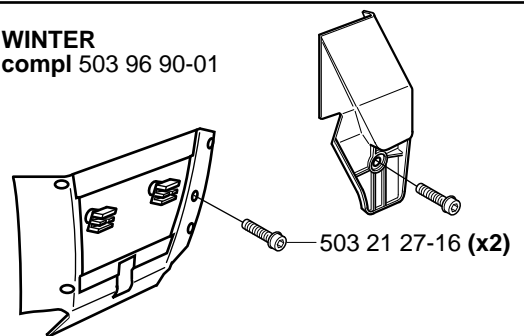
3 503 56 46-01
Set of gaskets
Dichtungssatz
Jeu de joints
Juego de juntas
Packningssats

Q **Accessories**
Zubehöre
Accessories
Accessorios
Tillbehör

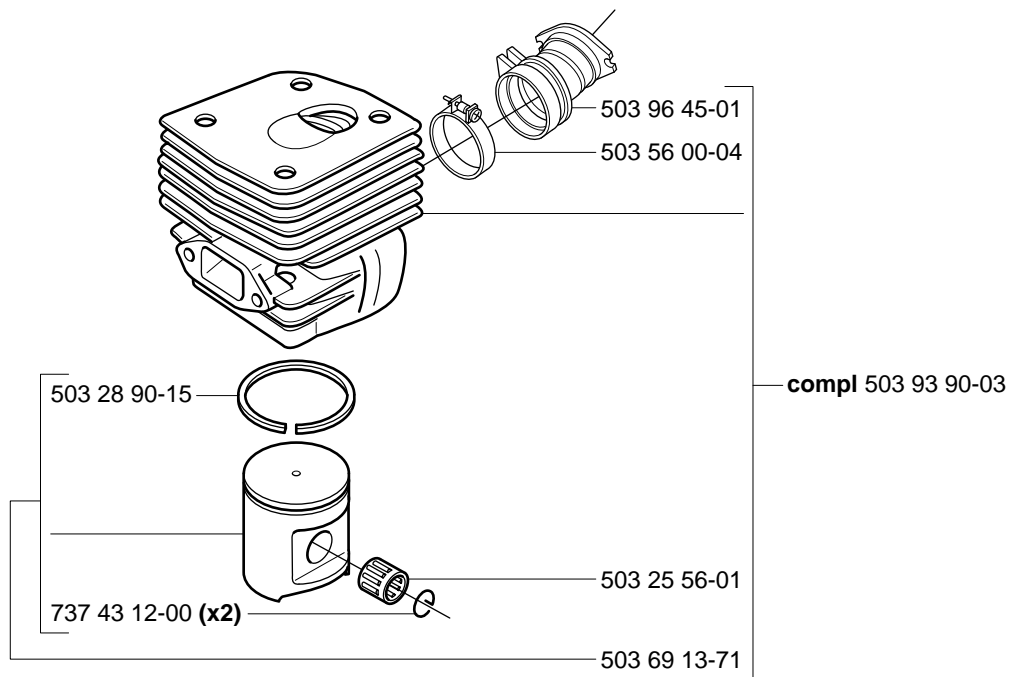
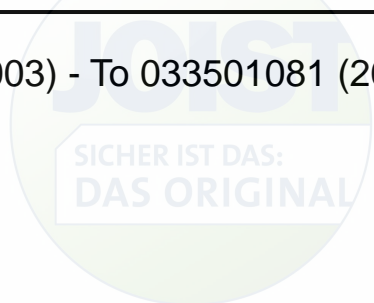
*compl 503 55 85-01



WINTER
compl 503 96 90-01



R 1 From 030501340 (2003) - To 033501081 (2003)



PART NUMBER	SQUARE	NOTE	PART NUMBER	SQUARE	NOTE	PART NUMBER	SQUARE	NOTE
501 20 15-02	M		503 47 81-01	P		503 71 53-01	D	
501 27 08-01	H		503 47 89-01	P		503 71 76-01	J	
501 27 08-01	H		503 47 90-01	P		503 71 82-01	L	
501 46 69-01	N		503 47 96-01	P		503 71 97-01	A	
501 46 84-01	N		503 47 97-01	P		503 73 44-01	H	
501 46 85-01	N		503 48 00-01	P		503 73 54-01	G	
501 46 87-01	N		503 48 01-01	P		503 73 64-01	J	
501 48 54-02	L		503 48 05-01	P		503 74 01-02	C	
501 51 72-01	A		503 48 08-01	P		503 74 38-01	G	
501 54 41-02	B		503 48 18-01	P		503 74 39-01	G	
501 59 80-02	B		503 52 13-01	B		503 74 43-01	B	
501 61 58-01	B		503 52 15-01	B		503 74 44-01	B,E	
501 63 06-01	M		503 52 36-01	P		503 74 87-02	E	N
501 66 61-01	N		503 53 56-01	P		503 74 93-01	H	
501 66 69-01	N	2	503 53 57-01	P		503 75 11-03	A	
501 66 77-01	N		503 54 39-01	M		503 75 18-01	H	
501 66 78-01	N		503 55 22-01	D		503 75 22-01	A	
501 66 83-01	N		503 55 44-01	P		503 75 24-01	B	
501 67 35-01	L		503 55 45-01	P		503 75 61-02	B	
501 68 68-01	H		503 55 46-01	P		503 76 29-02	A	
501 69 17-01	Q		503 55 66-01	J		503 76 49-03	A	
501 81 57-01	H		503 55 85-01	Q		503 76 53-01	F	
501 81 96-02	H,J		503 55 86-01	Q		503 76 53-02	F	
501 81 99-01	L		503 55 86-02	Q		503 76 54-02	F	
501 87 31-01	J		503 56 00-04	G,R		503 76 64-02	F	
501 87 53-03	A		503 56 34-01	N		503 76 65-03	F	
501 91 14-01	Q		503 56 46-01	P	Compl 3	503 77 43-01	B	
502 20 65-04	G		503 57 42-01	N		503 77 52-01	A	
502 20 83-02	G		503 57 76-02	J		503 77 58-02	D	
502 25 47-01	N	2	503 57 89-01	H		503 77 59-01	D	1
503 10 87-01	N		503 57 89-01	J		503 77 91-01	E	
503 20 02-16	F,H		503 60 04-01	J		503 78 72-01	M	
503 20 06-08	F		503 61 64-01	P		503 79 27-01	A	
503 20 07-12	A,H	N	503 61 66-01	P	3	503 79 96-01	N	
503 20 07-20	L	N	503 61 67-01	P		503 79 98-01	N	
503 20 07-30	H	N	503 61 68-01	P	3	503 79 99-01	N	
503 20 08-32	H		503 62 12-01	Q		503 80 00-01	N	
503 20 25-12	A		503 62 49-01	B		503 80 07-01	N	2
503 20 34-19	M		503 62 61-01	L		503 80 08-01	N	
503 20 34-25	C		503 62 67-71	K		503 80 09-01	N	
503 21 05-22	K		503 62 68-76	H		503 80 14-01	N	
503 21 27-16	Q		503 62 72-01	H	1	503 80 15-01	N	
503 21 28-10	A,H,L		503 62 73-03	H		503 81 13-01	B	
503 21 49-16	K,M	N	503 62 75-01	G		503 81 30-01	B	
503 22 00-01	A		503 62 77-01	H		503 81 45-01	G	
503 22 04-01	L		503 62 78-07	C		503 81 45-02	G	
503 22 24-01	H		503 62 80-01	C		503 81 45-03	G	
503 22 65-03	G		503 62 81-71	M		503 81 78-01	G	
503 23 00-04	B		503 62 82-02	M		503 81 80-01	G	
503 23 00-42	L		503 62 83-01	M		503 81 80-02	G	
503 23 00-59	B		503 62 84-01	H		503 81 80-03	G	
503 23 00-63	A		503 63 75-02	K		503 82 98-01	J	
503 23 00-66	A		503 63 75-03	K		503 83 81-02	A	
503 23 43-02	M		503 63 76-01	J		503 84 61-01	H	
503 23 51-08	D		503 63 76-02	J		503 85 58-01	N	
503 25 56-01	D,E,R		503 64 47-01	B		503 85 59-01	N	
503 26 03-01	H		503 64 72-01	H	Compl 1	503 85 73-01	H	
503 26 30-17	H,J		503 64 78-01	N	Compl 2	503 85 96-01	M	
503 26 30-19	E		503 64 79-02	H	N	503 86 17-71	B	
503 27 21-01	B		503 66 53-01	G		503 88 44-01	P	3
503 28 18-05	G,N	EPA	503 66 59-01	P		503 88 45-01	P	
503 28 32-03	G,P		503 66 74-01	G	EPA	503 88 65-01	P	
503 28 90-15	D,R		503 67 86-01	H		503 88 66-01	P	
503 28 90-15	R		503 68 41-01	G		503 88 67-01	P	
503 40 06-06	G		503 69 10-73	D		503 89 56-01	J	
503 42 67-01	B		503 69 13-71	D,R		503 89 56-02	J	
503 43 18-01	G		503 70 11-01	G		503 89 70-01	A	
503 43 20-01	B		503 70 99-01	A		503 89 76-01	L	
503 43 65-01	A		503 71 27-01	G		503 91 39-01	N	EPA
503 44 32-01	J		503 71 32-75	J		503 91 40-01	N	EPA
503 91 54-01	N	EPA				503 96 45-01	G,R	EPA
503 93 67-01	P					503 96 70-01	H	
503 93 68-01	P	3				503 96 90-01	Q	
503 93 90-03	R	N				503 98 74-01	C	
503 93 90-05	D					503 99 83-01	A	
503 94 36-01	N	EPA				504 13 09-05	N	2
503 94 37-01	N	EPA				504 30 00-26	B	
503 94 38-01	N	EPA				505 27 57-19	H	
503 94 39-01	N	EPA				505 30 36-61	B	
503 96 15-01	D	N				505 31 67-17	N	
						505 52 01-25	N	
						530 03 50-15	N	
						537 00 33-01	N	EPA
						537 00 87-01	A	
						537 01 23-01	P	
						537 01 24-01	P	
						537 01 25-01	P	
						537 01 26-01	P	
						537 01 27-01	P	
						537 01 37-71	H	
						537 01 55-01	L	
						537 01 65-01	C	
						537 01 68-01	A	
						537 01 71-01	H	
						537 01 74-01	A	
						537 01 89-01	N	
						537 01 90-01	N	
						537 01 91-01	N	
						537 02 44-01	H	
						537 03 35-01	A	
						537 03 35-71	A	
						537 03 38-01	A	
						537 03 62-02	B	N
						537 03 62-03	B	N
						537 04 03-01	H	
						537 04 29-01	H	
						537 04 41-02	A	
						537 05 16-05	L	
						537 07 76-01	N	
						537 07 90-01	P	
						537 07 94-01	A	
						537 07 95-01	A	
						537 08 65-09	M	
						537 08 67-01	M	
						537 08 92-01	H	
						537 09 54-01	H	
						537 16 22-01	L	
						720 12 40-20	J	
						720 12 72-20	J	
						724 12 87-59	F	
						725 53 05-55	G	
						725 53 29-55	G	
						725 53 29-56	B	
						725 53 31-55	H	
						725 53 33-55	D	
						725 53 70-55	F	
						731 23 14-01	G	
						737 43 12-00	D,R	
						738 22 02-25	E	
						740 48 07-02	A	

1 = 503 64 72-01
 2 = 503 64 78-01
 3 = 503 56 46-01

Set of gaskets, Dichtungssats,
 Jeu de joints, Juego de juntas,
 Packningssats

N = New part, Neues teil,
 Nouvelle piece, Nueva pieza
 Ny detalj

EPA = Environmental Protection Agency
 (for USA only)