

372, 372 EPA, 362 Special, 362 Special EPA

Spare parts

Replaces

Ersatzteile

Ersetzt

Pièces détachées

Remplace

Reserve onderdelen

Vervangt

Repuestos

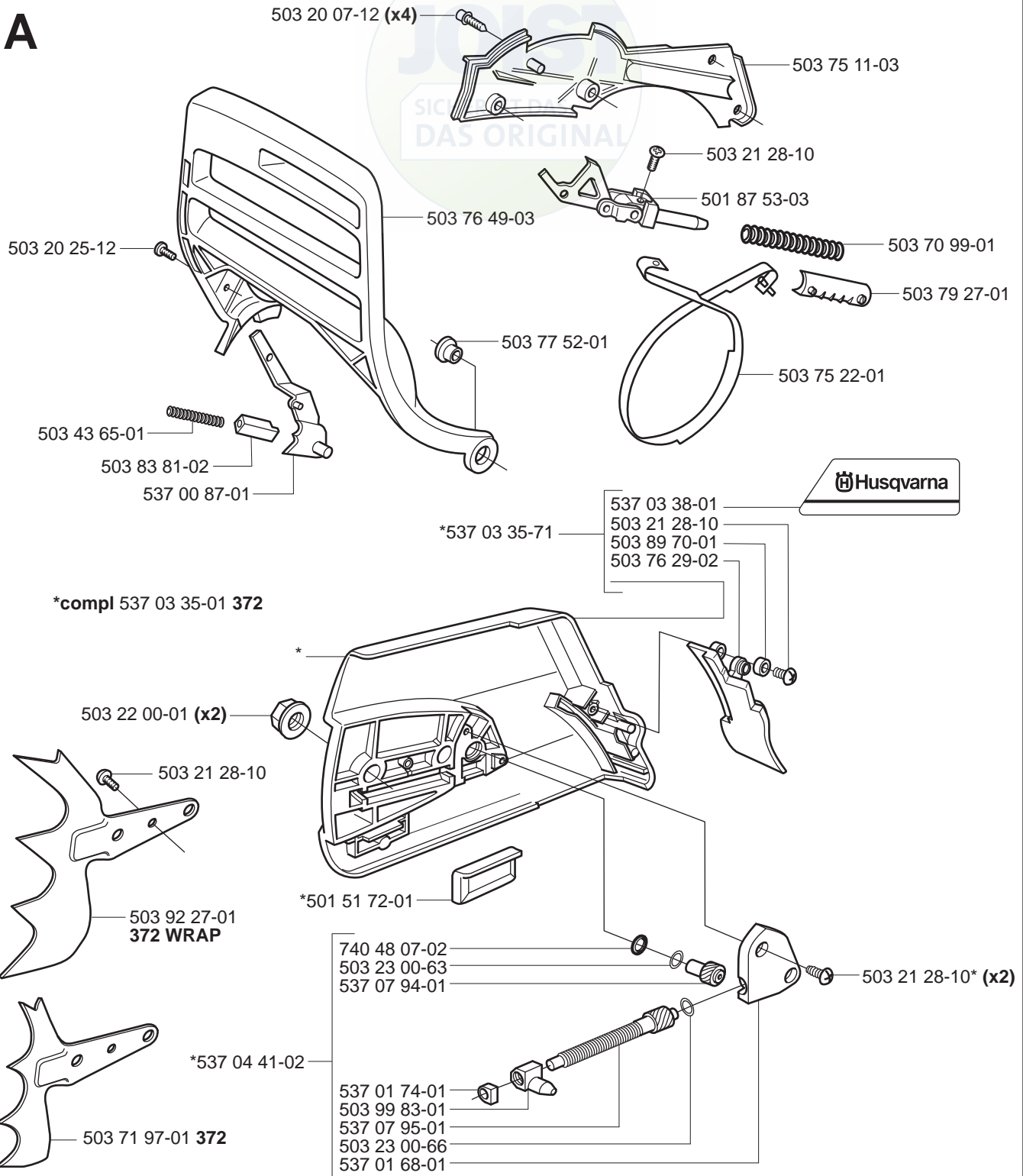
Reemplaza

Reservdelar

Ersätter

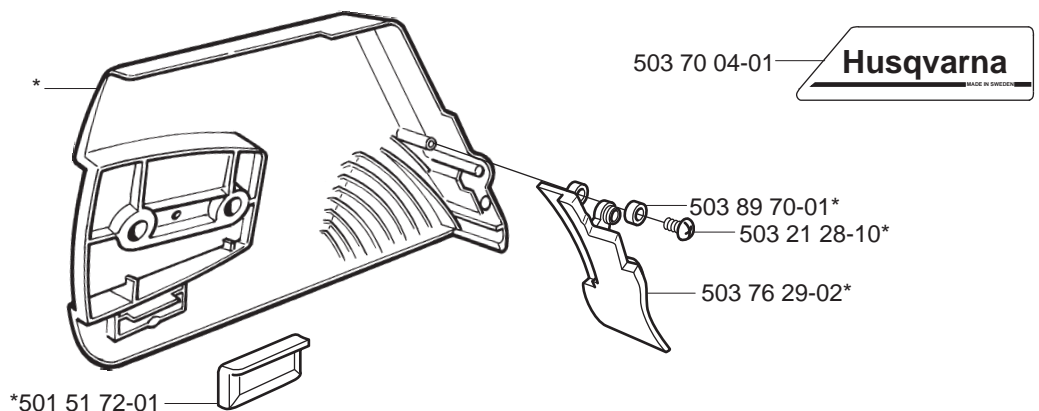
106 26 04-62

A

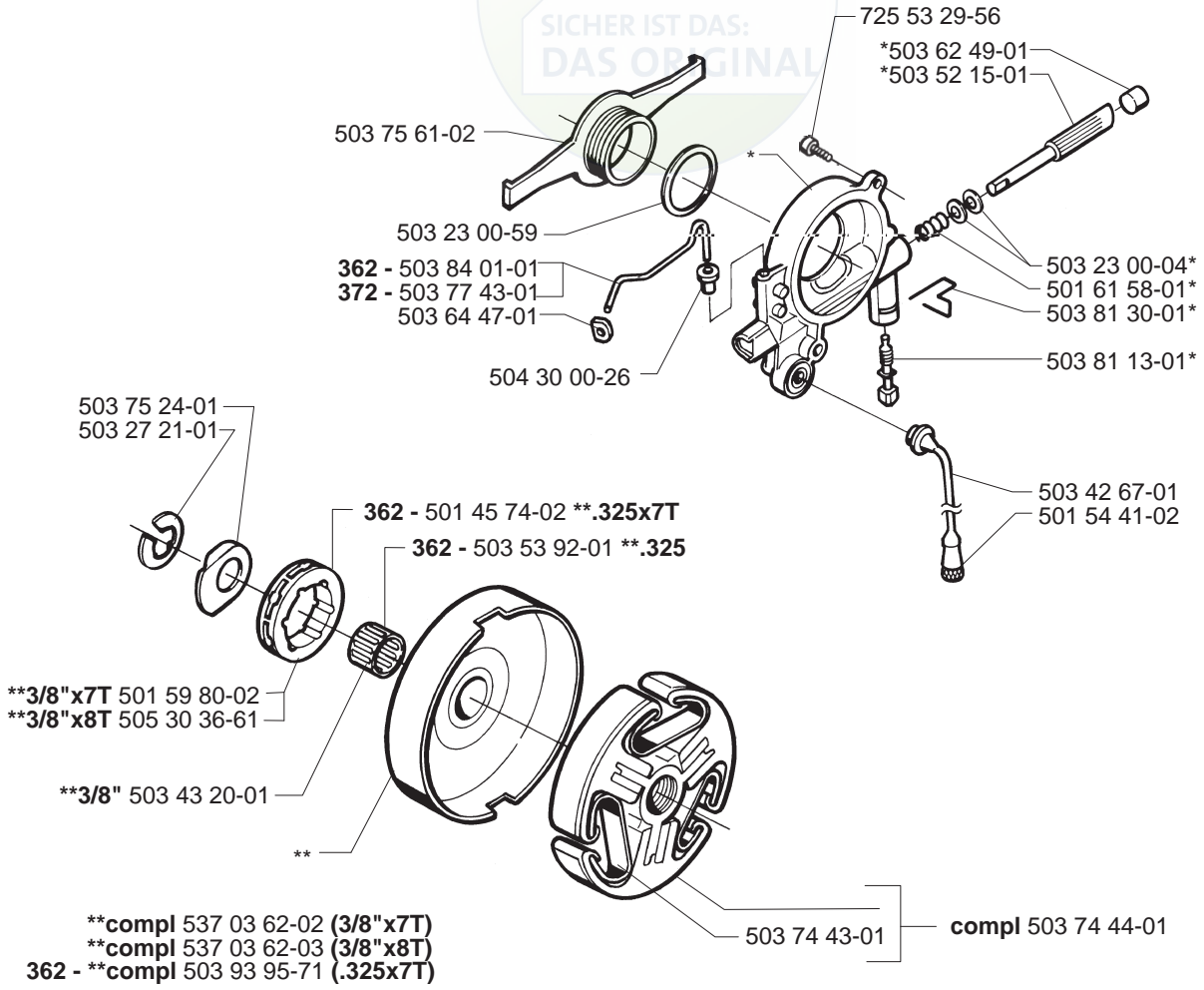


B

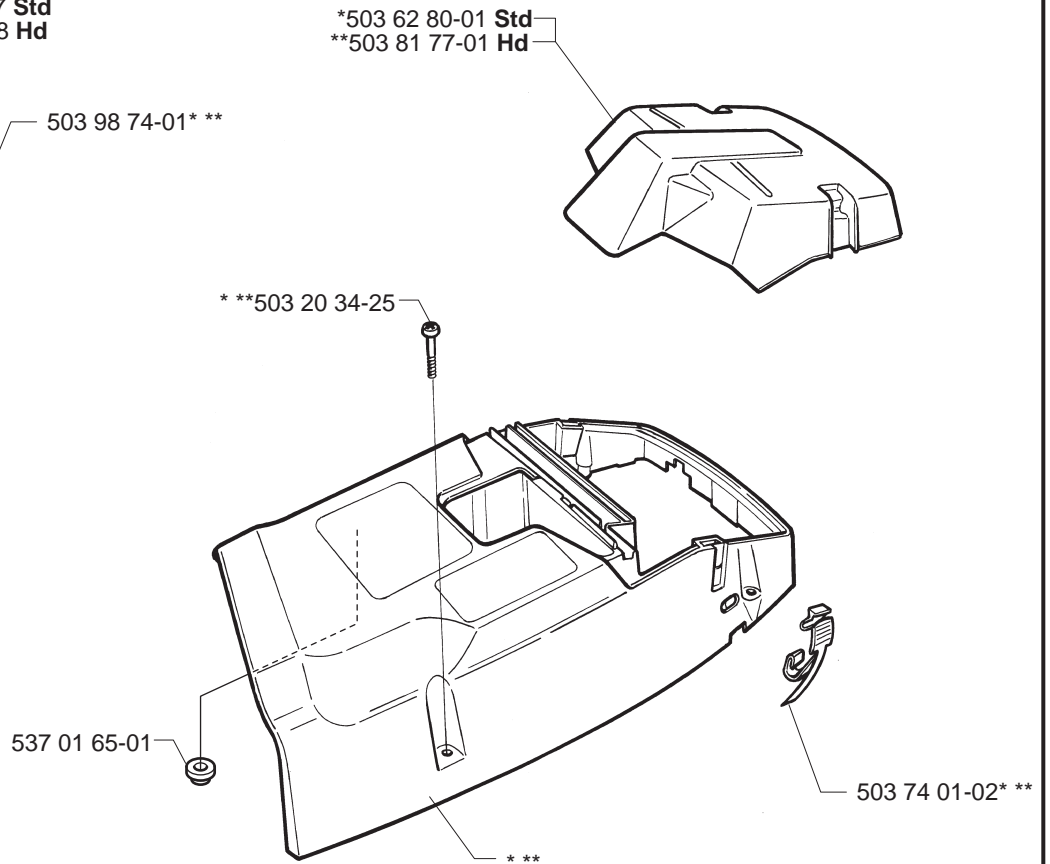
*compl 503 76 92-01 362



C *compl 503 52 13-01

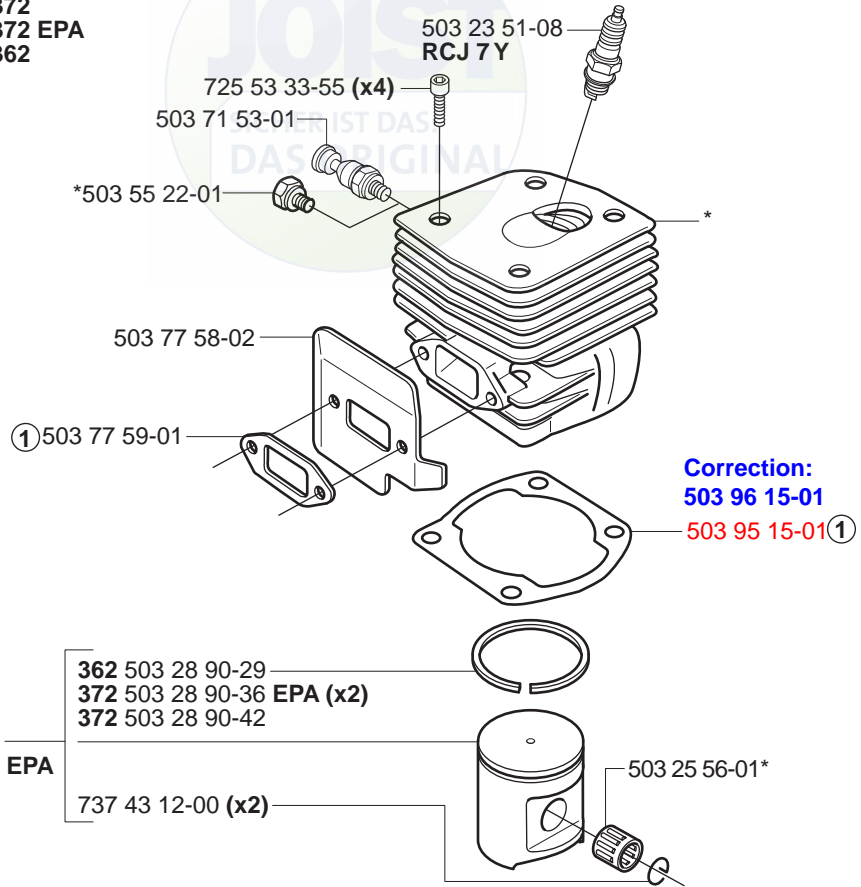


D *compl 503 62 78-07 Std
**compl 503 62 78-08 Hd

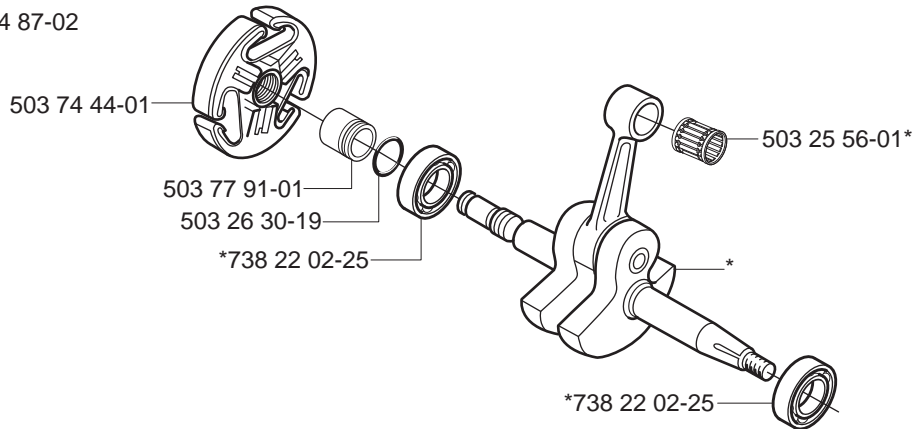


E

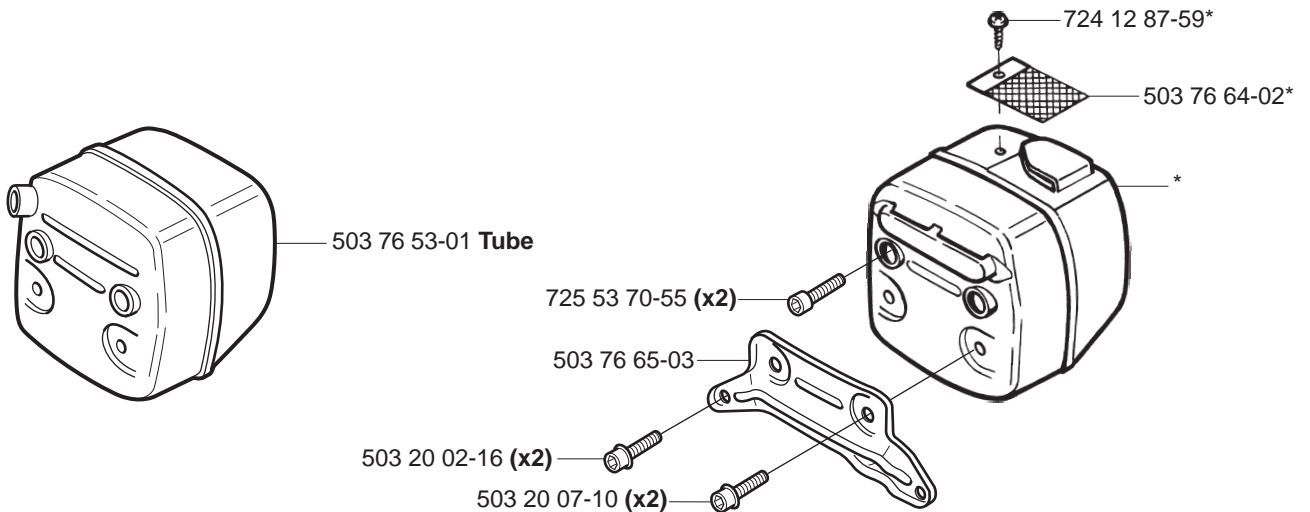
*compl 503 62 64-73 372
 *compl 503 93 93-72 372 EPA
 *compl 503 96 52-71 362

**F**

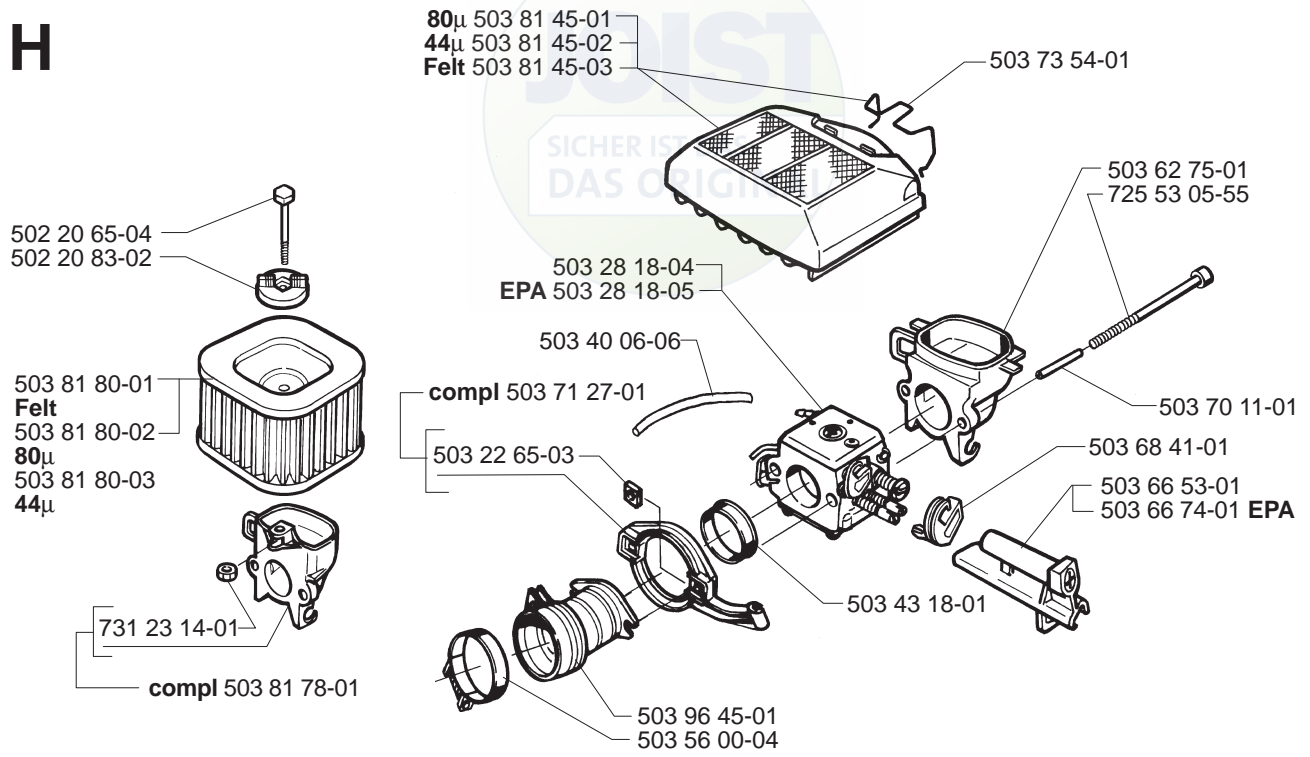
*compl 503 74 87-02

**G**

compl 503 76 52-01 FG
 *compl 503 76 53-02 Jungle
 *compl 503 76 54-02 DF

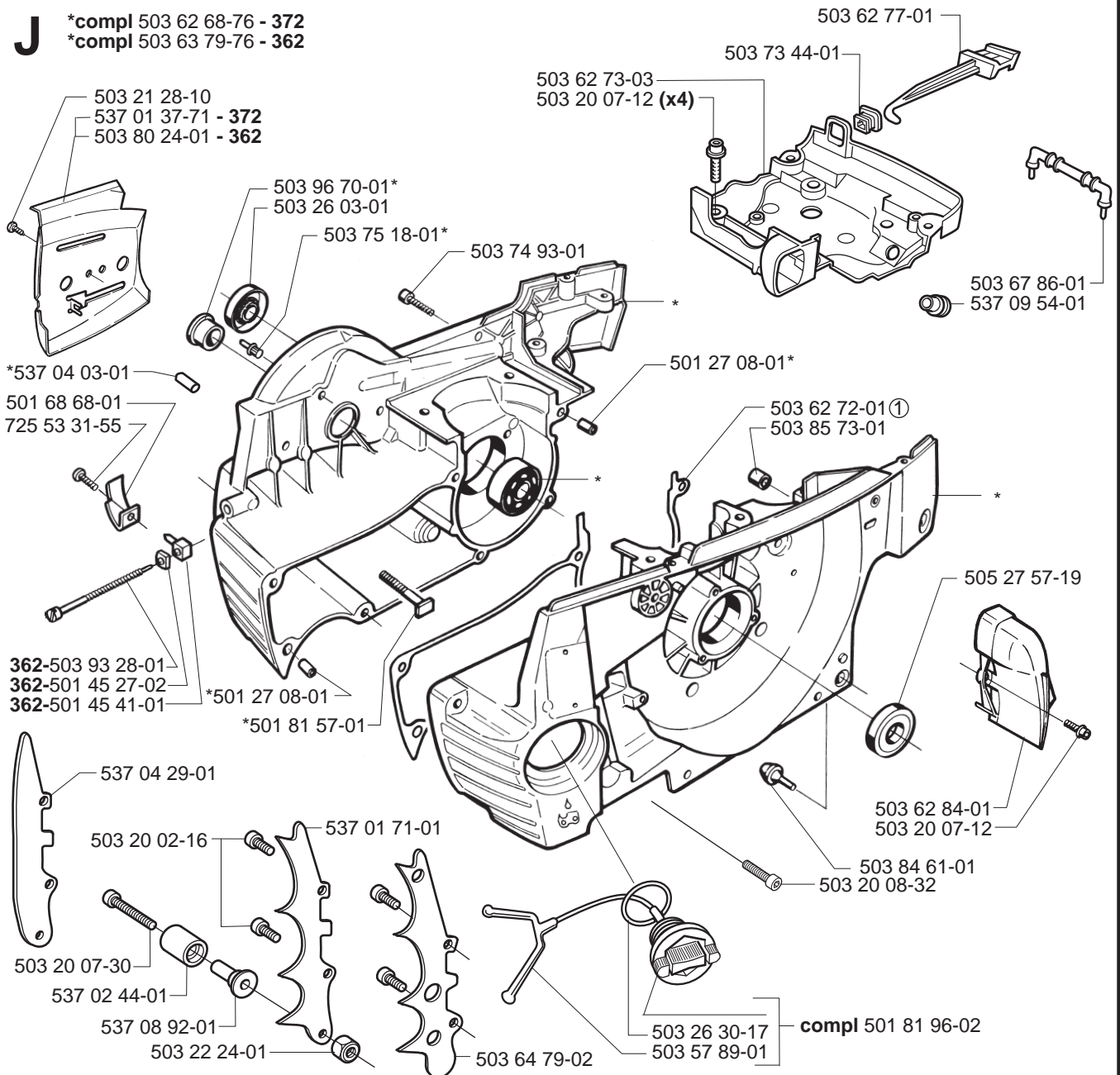


H

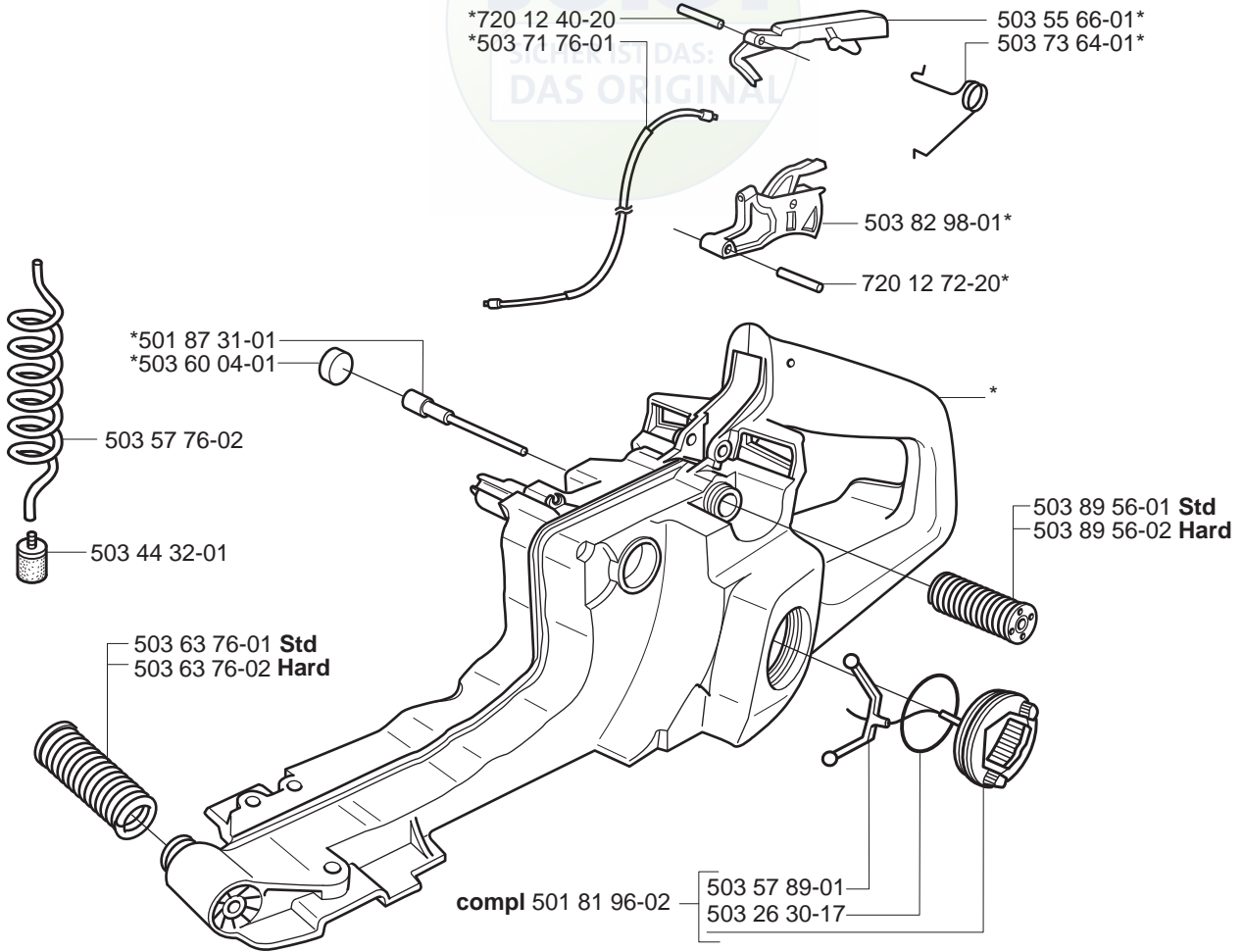


J

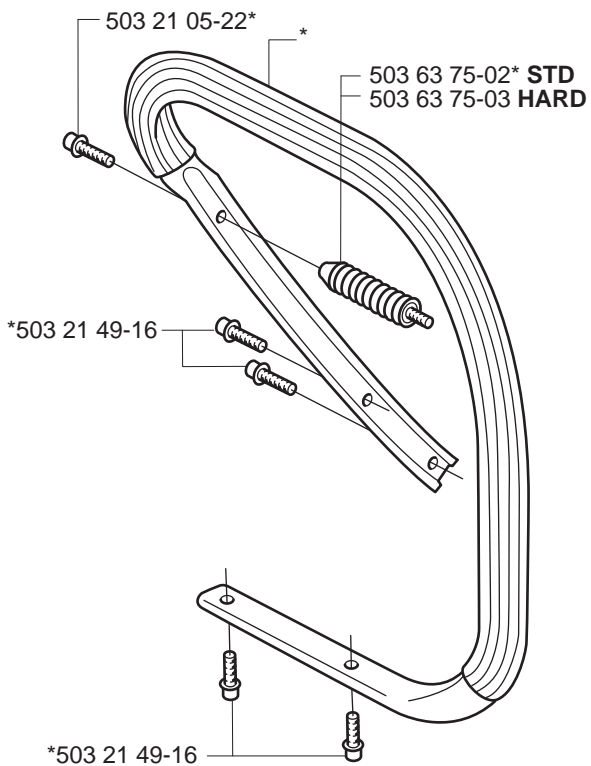
*compl 503 62 68-76 - 372
*compl 503 63 79-76 - 362



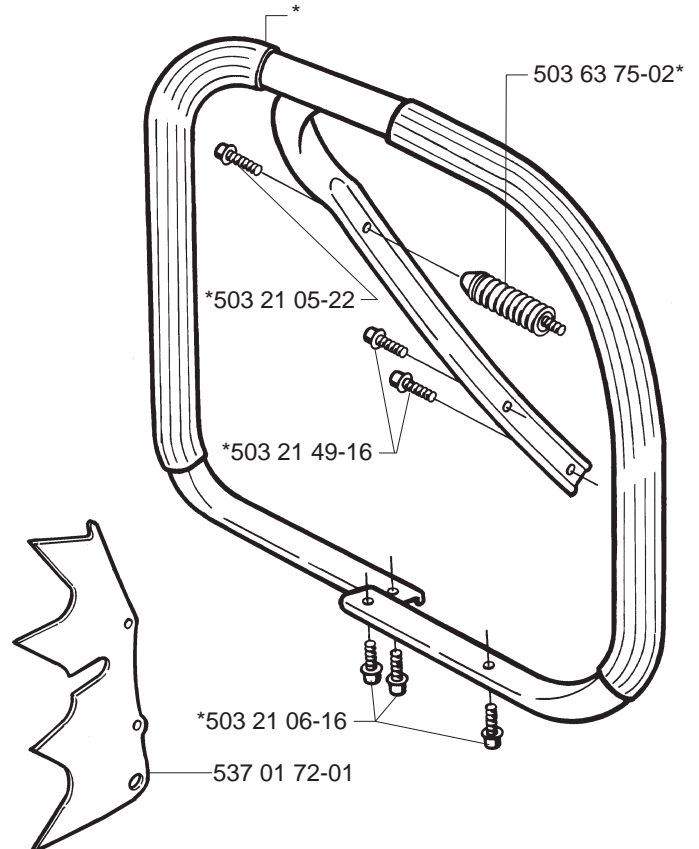
K *compl 503 71 32-75



L *compl 503 62 67-71



M *compl 503 62 86-71 WRAP
*compl 503 62 86-02 WA G



N

*compl 537 08 72-01

*537 07 13-01

*537 06 04-01

537 07 18-02 (G)

503 20 26-16 (G)

503 23 01-01

503 22 10-11

503 55 49-01 (G)*

537 07 14-01*

501 67 35-01

503 23 00-42

537 01 55-01

501 81 99-01

compl 537 05 16-06 (G)

501 43 00-01

*503 23 85-65

*compl 537 01 59-01

*503 64 02-01 (G)

501 80 24-03 (G)

503 20 26-16 (G)

503 23 01-01

503 22 10-11

(G) 501 43 00-01*

(G)*

501 67 35-01

503 23 00-42

537 01 55-01

501 81 99-01

compl 537 05 16-04 (G)

503 21 38-01 (G)

501 48 54-02

503 71 82-01

503 70 59-01 (G)

503 62 61-01

503 89 76-01

503 21 28-10

*compl 503 62 67-72 (G)

*503 21 05-22

503 23 01-01

503 22 10-11

503 68 45-02

537 16 22-01

503 20 07-20 (x2)

501 67 35-01

503 23 00-42

537 01 55-01

501 81 99-01

compl 537 05 16-05

503 23 01-01

503 22 10-11

503 21 49-16*

P

*compl 503 62 81-71

503 62 83-01

503 54 39-01*

501 20 15-02*

*503 21 49-16

*503 23 43-02

*503 85 96-01

*503 78 72-01

*503 20 34-19 (x4)

***501 63 06-01

537 08 67-01* **

***compl 503 62 82-02 ***

(XP) 537 08 65-10 362

(XPG) 537 08 65-11 362

(XP) 537 08 65-07 372

(XPG) 537 08 65-08 372

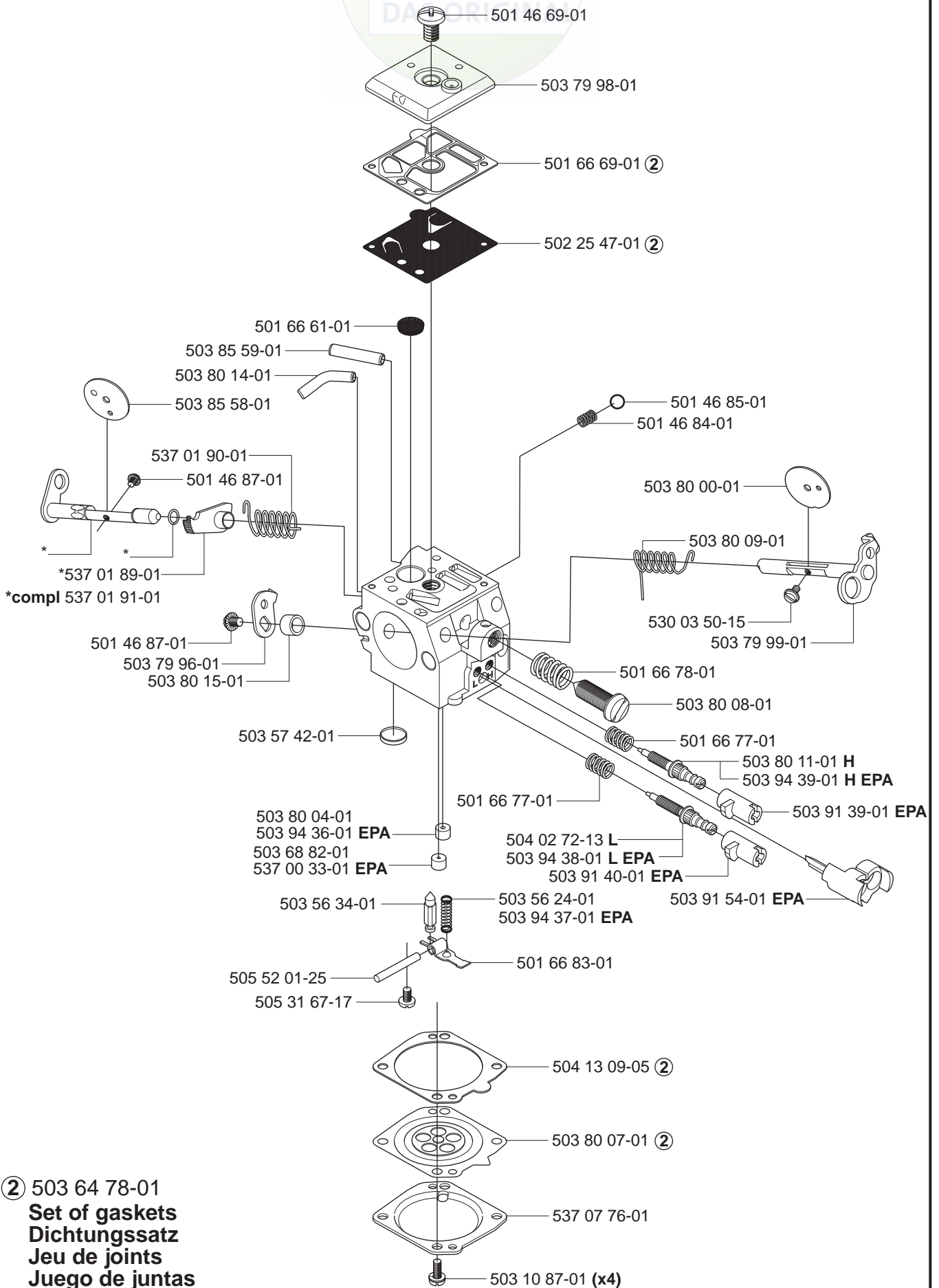


compl 503 28 18-04
compl 503 28 18-05 EPA

JOIST

SICHER IST DAS:
DABRIE

Walbro HD-6B Walbro HD-12B EPA



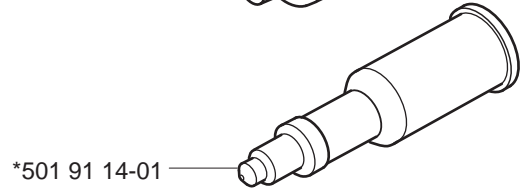
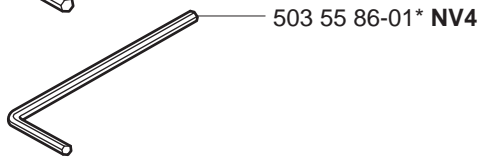
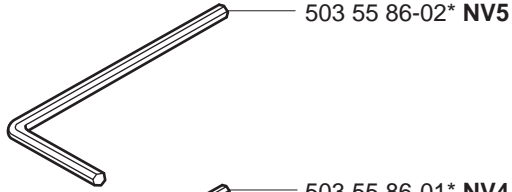
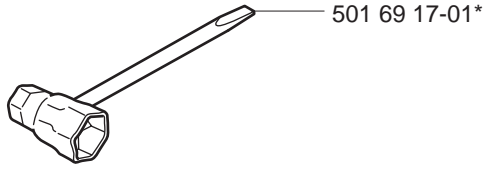
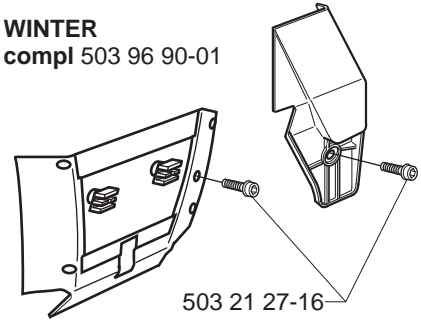
② 503 64 78-01
Set of gaskets
Dichtungssatz
Jeu de joints
Juego de juntas
Packningssatz

R Accessories
Zubehöre
Accessories
Accessorios
Tillbehör

*compl 503 55 85-01



WINTER
compl 503 96 90-01





SB, 365, 371 XP, 372 XP, Spike CE

2 new spikes for the European markets are available as spare part. These spikes fit on model 365, 371 XP and 372 XP.

Part. nr.

537 02 68-01

537 02 69-01



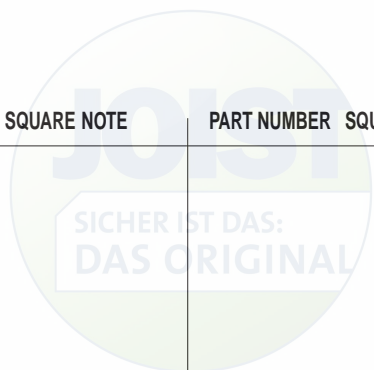
PART NUMBER	SQUARE NOTE	PART NUMBER	SQUARE NOTE	PART NUMBER	SQUARE NOTE	PART NUMBER	SQUARE NOTE
501 20 15-02	P	503 26 03-01	J	503 70 04-01	B	503 89 70-01	A,B
501 27 08-01	J	503 26 30-17	J	503 70 11-01	H	503 89 76-01	N
501 43 00-01	N	503 26 30-19	F	503 70 59-01	N	503 91 39-01	Q EPA
501 45 27-02	J	503 27 21-01	C	503 70 99-01	A	503 91 40-01	Q EPA
501 45 41-01	J	503 28 18-04	H,Q	503 71 27-01	H	503 91 54-01	Q EPA
501 45 74-02	C	503 28 18-05	H,Q EPA	503 71 32-75	K	503 92 27-01	A
501 46 69-01	Q	503 28 90-29	E	503 71 53-01	E	503 93 28-01	J
501 46 84-01	Q	503 28 90-36	E EPA	503 71 76-01	K	503 93 92-71	E EPA
501 46 85-01	Q	503 28 90-42	E	503 71 82-01	N	503 93 93-72	E EPA
501 46 87-01	Q	503 40 06-06	H	503 71 97-01	A	503 93 95-71	C
501 46 87-01	Q	503 42 67-01	C	503 73 44-01	J	503 94 36-01	Q EPA
501 48 54-02	N	503 43 18-01	H	503 73 54-01	H	503 94 37-01	Q EPA
501 51 72-01	A,B	503 43 20-01	C	503 73 64-01	K	503 94 38-01	Q EPA
501 54 41-02	C	503 43 65-01	A	503 74 01-02	D	503 94 39-01	Q EPA
501 59 80-02	C	503 44 32-01	K	503 74 43-01	C	503 95 15-01	E 1,N
501 61 58-01	C	503 52 13-01	C	503 74 44-01	C,F	503 96 45-01	H
501 63 06-01	P	503 52 15-01	C	503 74 87-02	F N	503 96 52-71	E
501 66 61-01	Q	503 53 92-01	C	503 74 93-01	J	503 96 70-01	J
501 66 69-01	Q 2	503 54 39-01	P	503 75 11-03	A	503 98 74-01	D
501 66 77-01	Q	503 55 22-01	E	503 75 18-01	J	503 99 83-01	A
501 66 78-01	Q	503 55 49-01	N	503 75 22-01	A	504 02 72-13	Q
501 66 83-01	Q	503 55 66-01	K	503 75 24-01	C	504 13 09-05	Q
501 67 35-01	N	503 55 85-01	R	503 75 61-02	C	504 30 00-26	C
501 67 35-01	N	503 55 86-01	R	503 76 29-02	A,B	505 27 57-19	J
501 68 68-01	J	503 55 86-02	R	503 76 49-03	A	505 30 36-61	Q
501 69 17-01	R	503 56 00-04	H	503 76 52-01	G	505 31 67-17	C
501 80 24-03	N	503 56 24-01	Q	503 76 53-01	G	505 52 01-25	Q
501 81 57-01	J	503 56 34-01	Q	503 76 53-02	G	530 03 50-15	Q
501 81 96-02	J,K	503 57 42-01	Q	503 76 54-02	G	537 00 33-01	Q EPA
501 81 99-01	N	503 57 76-02	K	503 76 64-02	G	537 00 87-01	A
501 87 31-01	K	503 57 89-01	J,K	503 76 65-03	G	537 01 37-71 -	J
501 87 53-03	A	503 60 04-01	K	503 76 92-01	B	537 01 55-01	N
501 91 14-01	R	503 62 12-01	R	503 77 43-01	C	537 01 59-01	N
502 20 65-04	H	503 62 49-01	C	503 77 52-01	A	537 01 65-01	D
502 20 83-02	H	503 62 61-01	N	503 77 58-02	E	537 01 68-01	A
502 25 47-01	Q 2	503 62 64-73	E	503 77 59-01	E 1	537 01 71-01	J
503 10 87-01	Q	503 62 67-71	L	503 77 91-01	F	537 01 72-01	M
503 20 02-16	G,J	503 62 67-72	N	503 78 72-01	P	537 01 74-01	A
503 20 07-10	G N	503 62 68-76 -	J	503 79 27-01	A	537 01 89-01	Q
503 20 07-12	A,J N	503 62 72-01	J 1	503 79 96-01	Q	537 01 90-01	Q
503 20 07-20	N N	503 62 73-03	J	503 79 99-01	Q	537 01 91-01	Q
503 20 07-30	J N	503 62 75-01	H	503 80 00-01	Q	537 02 44-01	J
503 20 08-32	J	503 62 77-01	J	503 80 04-01	Q	537 03 35-01	A
503 20 25-12	A	503 62 78-07	D	503 80 07-01	Q 2	537 03 35-71	A
503 20 26-16	N	503 62 78-08	D	503 80 08-01	Q	537 03 38-01	A
503 20 34-19	P	503 62 80-01	Q	503 80 09-01	Q	537 03 62-02	C N
503 20 34-25	D	503 62 81-71	P	503 80 11-01	Q	537 03 62-03	C N
503 21 05-22	L,M,N	503 62 82-02	P	503 80 14-01	Q	537 04 03-01	J
503 21 06-16	M	503 62 83-01	P	503 80 15-01	Q	537 04 29-01	J
503 21 27-16	R	503 62 84-01	J	503 80 24-01 -	J	537 04 41-02	A
503 21 28-10	A,B,J,N	503 62 86-02	M	503 81 13-01	C	537 05 16-04	N
503 21 38-01	N N	503 62 86-71	M	503 81 30-01	C	537 05 16-05	N
503 21 49-16	L N	503 63 75-02	L,M	503 81 45-01	H	537 05 16-06	N
503 21 49-16	M,N,P	503 63 75-03	L	503 81 45-02	H	537 06 04-01	N
503 22 00-01	A	503 63 76-01	K	503 81 45-03	H	537 07 13-01	N
503 22 10-11	N	503 63 76-02	K	503 81 77-01	D	537 07 14-01	N
503 22 24-01	J	503 63 79-76 -	J	503 81 78-01	H	537 07 18-02	N
503 22 65-03	H	503 64 02-01	N	503 81 80-01	H	537 07 76-01	Q
503 23 00-04	C	503 64 47-01	C	503 81 80-02	H	537 07 94-01	A
503 23 00-42	N	503 64 72-01	1=compl	503 81 80-03	H	537 07 95-01	A
503 23 00-42	N	503 64 78-01	Q	503 82 98-01	K	537 08 65-07	P
503 23 00-59	C	503 64 79-02	J N	503 83 81-02	A	537 08 65-08	P
503 23 00-63	A	503 66 53-01	H	503 84 01-01	C	537 08 65-10	P
503 23 00-66	A	503 66 74-01	H EPA	503 84 61-01	J	537 08 65-11	P
503 23 01-01	N	503 67 86-01	J	503 85 58-01	Q	537 08 67-01	P
503 23 01-01	N	503 68 41-01	H	503 85 59-01	Q	537 08 72-01	N
503 23 43-02	P	503 68 45-02	N	503 85 73-01	J	537 08 92-01	J
503 23 51-08	E	503 68 82-01	Q	503 85 96-01	P	537 09 54-01	J
503 23 85-65	N	503 69 12-71	E	503 89 56-01	K	537 16 22-01	N
503 25 56-01	E,F	503 69 14-71	E	503 89 56-02	K	720 12 40-20	K

1 = 503 64 72-01
2 = 503 64 78-01

Set of gaskets, Dichtungssatz,
Jeu de joints, Juego de juntas,
Packningssats

N = New part, Neues teil,
Nouvelle piece, Nueva pieza
Ny detalj

EPA = Environmental Protection Agency
(for USA only)



PART NUMBER	SQUARE NOTE	PART NUMBER	SQUARE NOTE	PART NUMBER	SQUARE NOTE	PART NUMBER	SQUARE NOTE
720 12 72-20	K						
724 12 87-59	G						
725 53 05-55	H						
725 53 29-56	C						
725 53 31-55	J						
725 53 33-55	E						
725 53 70-55	G						
731 23 14-01	H						
737 43 12-00	E						
738 22 02-25	F						
740 48 07-02	A						

1 = 503 64 72-01
2 = 503 64 78-01

Set of gaskets, Dichtungssatz,
Jeu de joints, Juego de juntas,
Packningssatz

N = New part, Neues teil,
Nouvelle piece, Nueva pieza
Ny detalj

EPA = Environmental Protection Agency
(for USA only)