



For Husqvarna Parts Call 606-678-9623 or 606-561-4983

 **Husqvarna**

SERVICE 		6
		I0000049

IPL, 357, 359, 357, 359 EPA, 2001-01, 106 26 06-61

357, 359
357, 359 EPA

Spare parts
Ersatzteile
Pièces détachées
Reserve onderdelen
Repuestos
Reservdelar

106 26 06-61

For Husqvarna Parts Call 606-678-9623 or 606-561-4983

MODEL 357, 359, 357 EPA, 359 EPA

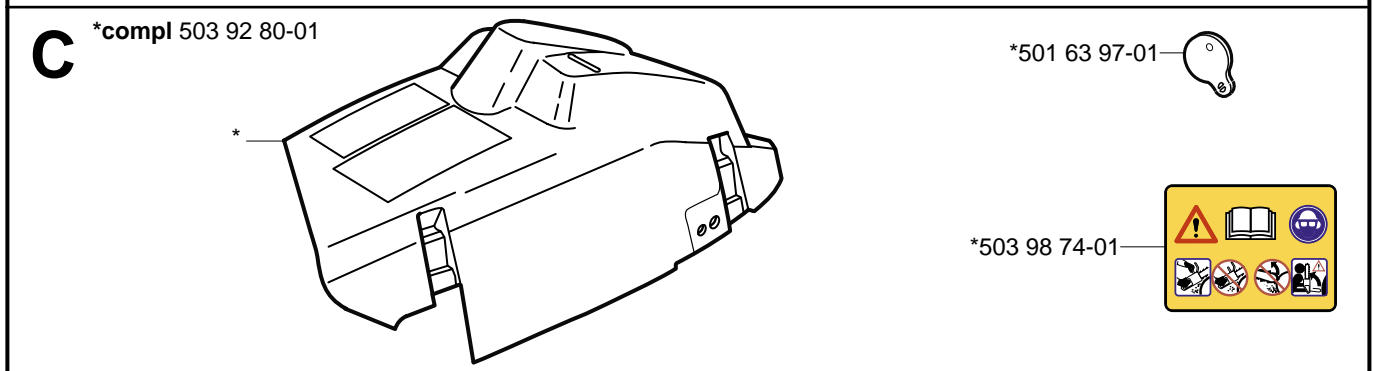
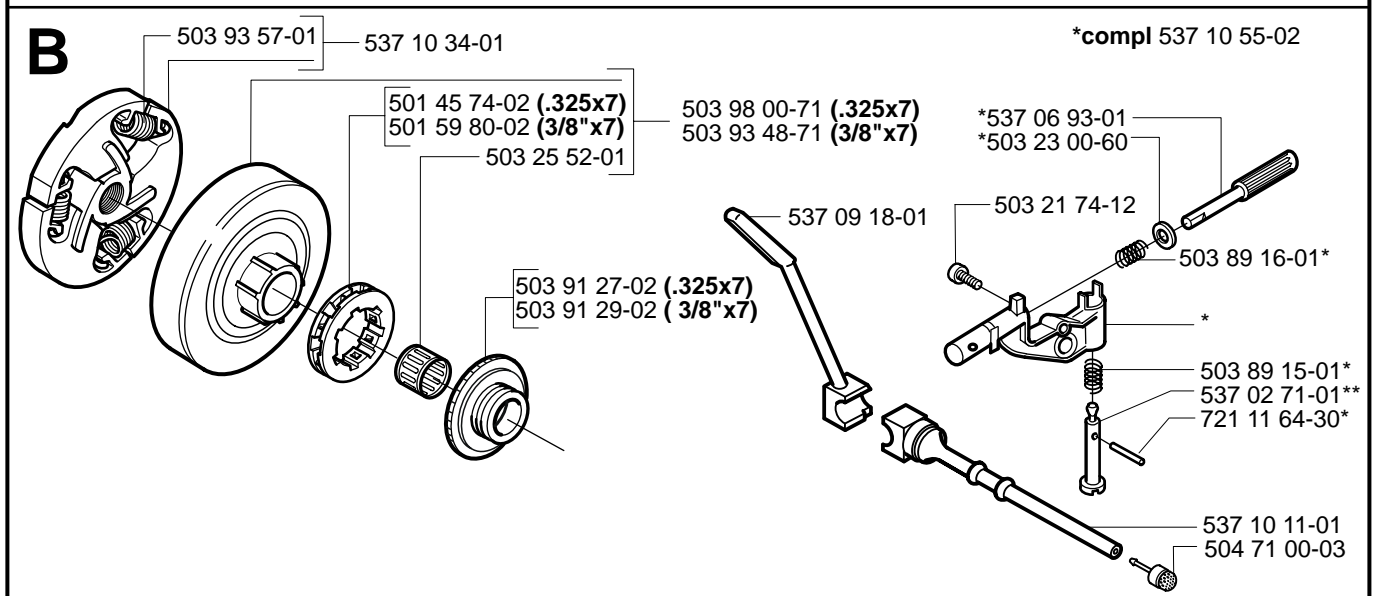
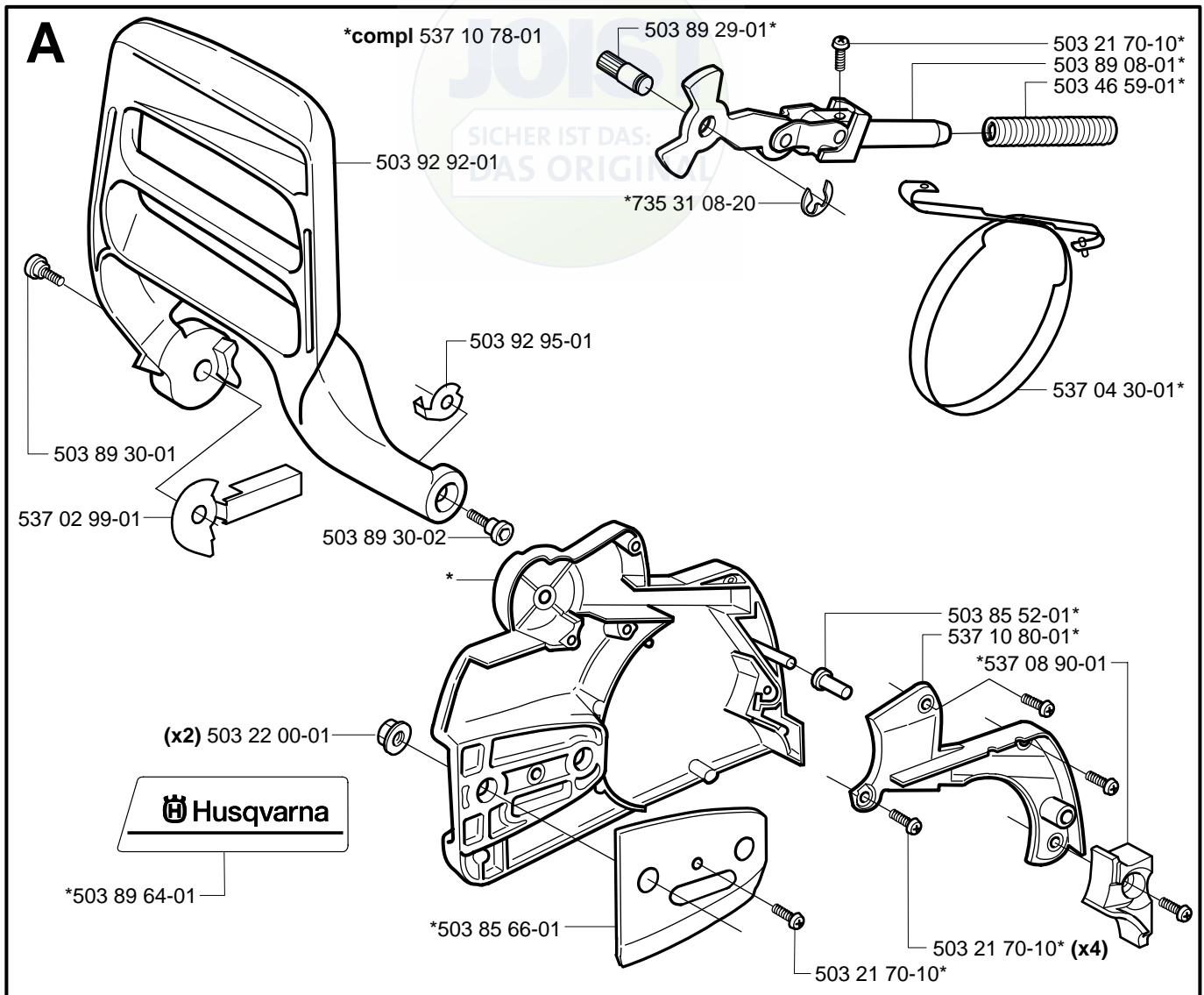
PART NUMBER	SQUARE NOTE	PART NUMBER	SQUARE NOTE	PART NUMBER	SQUARE NOTE	PART NUMBER	SQUARE NOTE
501 45 74-02	B	503 54 39-01	M	503 92 61-01	J	537 04 30-01	A
501 46 87-01	N	503 55 85-01	P	503 92 79-01	H	537 04 43-01	N
501 46 87-01	N	503 55 86-01	P	503 92 80-01	C	537 04 44-01	N
501 48 54-02	L	503 55 86-02	P	503 92 85-01	G	537 04 45-01	N
501 59 80-02	B	503 56 23-01	N	503 92 87-01	G	537 04 46-01	N
501 62 98-01	J	503 56 25-01	N	503 92 88-01	G	537 04 47-01	N
501 63 97-01	C	503 56 34-01	N	503 92 89-01	M	537 04 49-01	N
501 66 61-01	N	503 57 42-01	N	503 92 90-01	H	537 04 50-01	N
501 66 62-01	N	503 57 76-02	J	503 92 92-01	A	537 04 53-01	N
501 66 69-01	N	503 57 89-01	H	503 92 95-01	A	537 04 80-01	compl
501 66 77-01	N	503 57 89-01	J	503 92 99-01	K	537 05 09-01	H
501 66 78-01	N	503 58 15-01	N	503 93 05-01	L	537 06 04-01	L
501 69 17-01	P	503 60 04-01	J	503 93 05-02	L	537 06 06-01	L
501 69 30-01	N	503 61 48-01	N	503 93 06-01	M	537 06 07-01	L
501 81 96-02	H	503 62 12-01	P	503 93 07-01	M	537 06 59-01	M
501 81 96-02	J	503 71 53-01	D	503 93 31-71	E	537 06 93-01	B
501 81 99-03	L	503 71 53-01	D	503 93 48-71	B	537 07 12-01	H
501 83 29-01	N	503 71 82-02	K	503 93 54-01	H	537 07 52-01	N
501 86 18-01	D	503 80 06-01	N	503 93 57-01	B	537 08 90-01	A
501 86 18-01	E	503 81 81-01	L	503 93 87-01	G	537 09 18-01	B
501 91 14-01	P	503 85 41-01	J	503 94 44-01	N	537 09 31-01	M
502 25 47-01	N	503 85 44-01	J	503 94 46-01	N	537 10 11-01	B
503 08 18-01	N	503 85 45-01	J	503 94 47-01	N	537 10 34-01	B 1
503 08 20-01	N	503 85 52-01	A	503 94 53-01	N	537 10 36-01	L
503 19 23-01	N	503 85 66-01	A	503 94 54-01	N	537 10 55-02	B 1
503 20 02-10	F	503 86 36-01	F	503 94 56-01	N	537 10 78-01	A
503 20 34-19	M	503 86 62-01	G	503 94 57-01	N	537 10 80-01	A 1
503 21 29-10	M	503 86 92-01	H	503 94 60-01	N	537 15 68-01	E
503 21 51-01	H	503 86 93-01	H	503 96 24-06	L	537 15 72-02	D
503 21 70-10	A	503 86 95-01	G	503 96 27-01	G	537 15 73-02	D
503 21 70-10	A	503 86 97-01	G	503 96 43-01	J	720 12 40-20	J 1
503 21 70-10	A	503 87 49-01	H	503 96 66-01	D	721 11 64-30	B
503 21 70-16	P	503 87 50-01	H	503 96 66-01	D	721 12 07-40	H
503 21 71-16	L	503 87 54-01	H	503 96 68-01	K	724 12 87-59	F
503 21 74-12	B	503 88 63-02	H	503 96 76-01	G	725 53 33-55	D
503 21 74-12	H	503 89 08-01	A	503 97 00-01	E	725 53 33-55	D
503 21 74-12	H	503 89 15-01	B	503 97 00-01	E	725 53 68-55	F
503 21 74-25	L	503 89 16-01	B	503 97 06-01	N	725 53 68-55	F
503 21 74-32	H	503 89 24-01	H	503 97 26-02	M	729 42 21-01	J
503 21 74-50	G	503 89 29-01	A	503 97 26-03	M	735 31 08-20	A
503 21 75-12	H	503 89 30-01	A	503 97 26-04	M	737 43 12-00	D
503 21 75-20	F	503 89 30-02	A	503 97 26-05	M	737 43 12-00	D
503 21 75-20	H	503 89 47-01	H	503 97 38-01	H	738 22 02-25	E
503 21 75-20	H	503 89 60-01	G	503 97 85-01	compl	738 22 02-25	E
503 21 77-16	M	503 89 64-01	A	503 97 88-01	P	738 22 02-25	E
503 21 88-16	K	503 89 87-01	L	503 98 00-71	B	738 22 02-25	E
503 21 88-25	J	503 91 27-02	B	503 98 74-01	C	740 42 01-00	P
503 21 88-25	J	503 91 29-02	B	503 99 16-01	N		
503 21 88-25	K	503 91 39-01	N	503 99 86-01	J		
503 22 00-01	A	503 91 40-01	N	504 13 09-05	N		
503 22 04-01	L	503 91 54-01	N	504 21 00-50	N		
503 23 00-42	L	503 91 65-01	D	504 71 00-03	B		
503 23 00-60	B	503 91 65-01	D	504 86 04-08	N		
503 23 51-08	D	503 91 66-01	D	505 27 57-19	H		
503 23 51-08	D	503 91 66-01	D	505 27 57-19	H		
503 25 52-01	B 2	503 91 74-01	F	505 30 51-25	M		
503 25 56-01	D 2	503 91 74-01	F	505 31 67-17	N 1		
503 25 56-01	E	503 91 75-01	F	505 52 01-25	N 1		
503 26 30-17	H 2	503 91 76-01	F	506 02 83-01	N 1		
503 26 30-17	J	503 91 98-71	D	530 03 50-15	N		
503 28 16-15	G	503 92 04-71	D	537 00 20-01	N		
503 28 16-15	N	503 92 18-01	L	537 00 34-01	N		
503 28 16-16	G	503 92 18-02	L	537 01 09-01	G		
503 28 16-16	N	503 92 18-03	L	537 01 09-02	G		
503 28 90-14	D	503 92 25-01	G	537 01 09-03	G		
503 28 90-29	D	503 92 30-71	J	537 02 18-01	H		
503 43 65-01	H	503 92 31-01	J	537 02 26-01	D		
503 44 32-01	J	503 92 33-01	K	537 02 71-01	B		
503 46 59-01	A	503 92 46-01	G	537 02 99-01	A		
503 51 81-01	N	503 92 53-71	H	537 04 03-01	H		

1 = 537 04 80-01
2 = 503 97 85-01

Set of gaskets
Dichtungssatz
Jeu de joints
Juego de juntas
Packningssats

N = New part
Neues teil
Nouvelle piece
Nueva pieza
Ny detalj

EPA = Environmental Protection Agency
(for USA only)



D

*compl 503 91 98-71 (357)

RCJ 7Y

503 23 51-08

(x4) 725 53 33-55

503 71 53-01

503 91 65-01

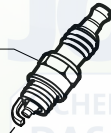
503 91 66-01 (2)

(2) 503 96 66-01

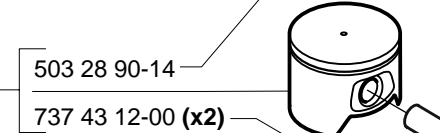
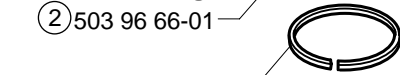
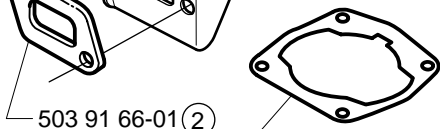
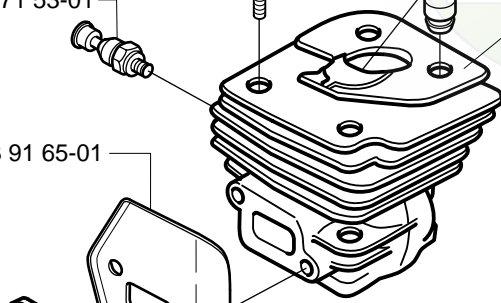
503 28 90-14

737 43 12-00 (x2)

compl 503 92 04-71*



537 02 26-01



501 86 18-01*

*compl 537 15 73-02 (359)

RCJ 7Y

503 23 51-08

(x4) 725 53 33-55

503 71 53-01

503 91 65-01

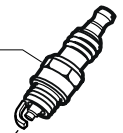
503 91 66-01 (2)

(2) 503 96 66-01

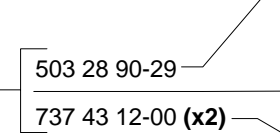
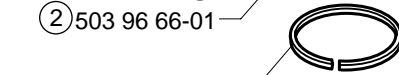
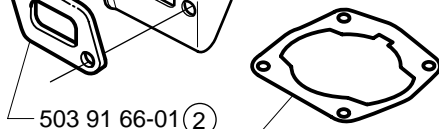
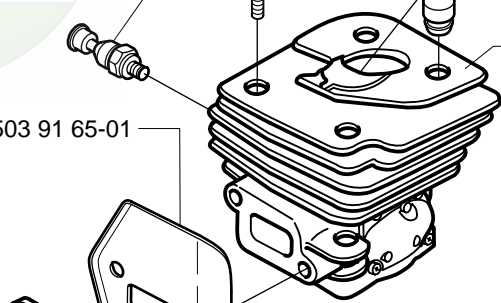
503 28 90-29

737 43 12-00 (x2)

compl 537 15 72-02*



537 02 26-01



503 25 56-01*

E

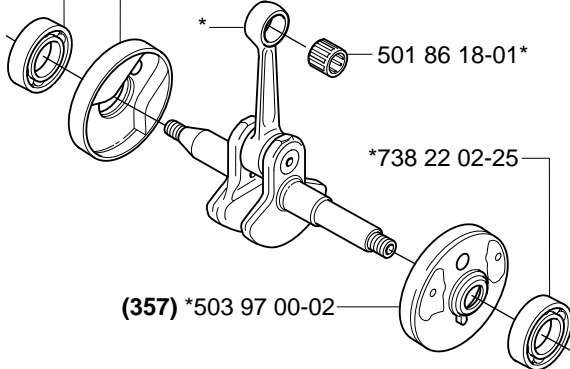
*compl 503 93 31-71 (357)

738 22 02-25*

503 97 00-01* (357)

*738 22 02-25

(357) *503 97 00-02



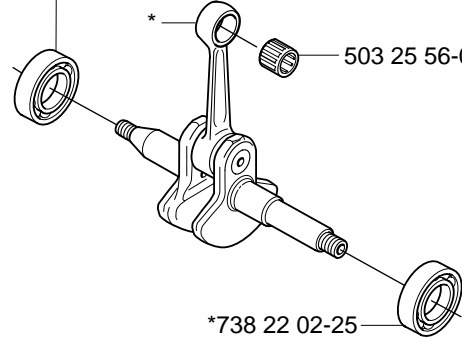
501 86 18-01*

*compl 537 15 68-01 (359)

738 22 02-25*

503 25 56-01*

*738 22 02-25



F

*compl 503 91 76-01 (EU)

**compl 503 91 75-01 (FF)

**724 12 87-59

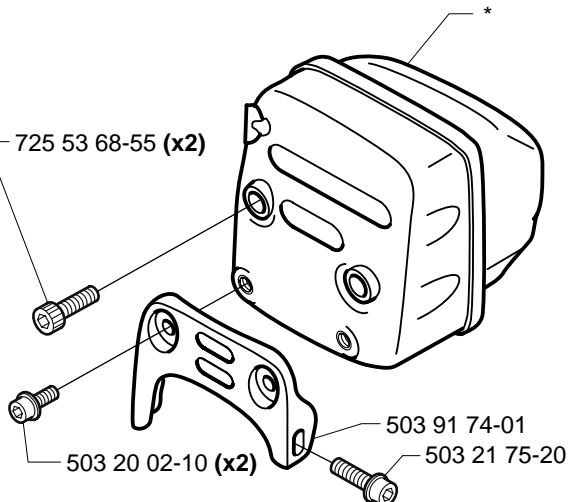
**503 86 36-01

725 53 68-55 (x2)

503 20 02-10 (x2)

503 91 74-01

503 21 75-20

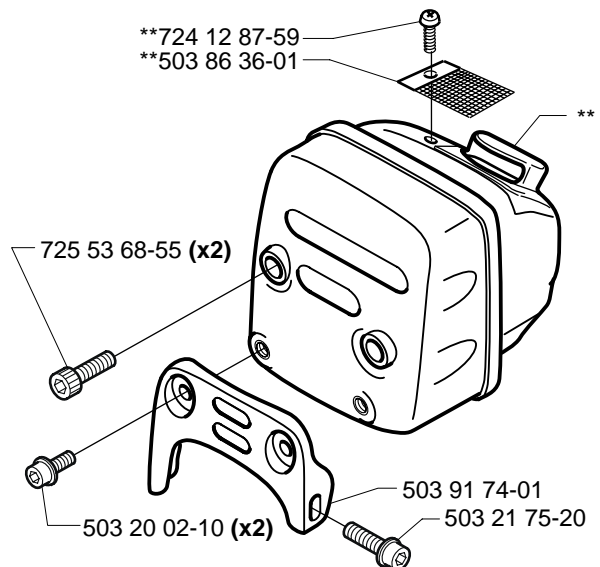


725 53 68-55 (x2)

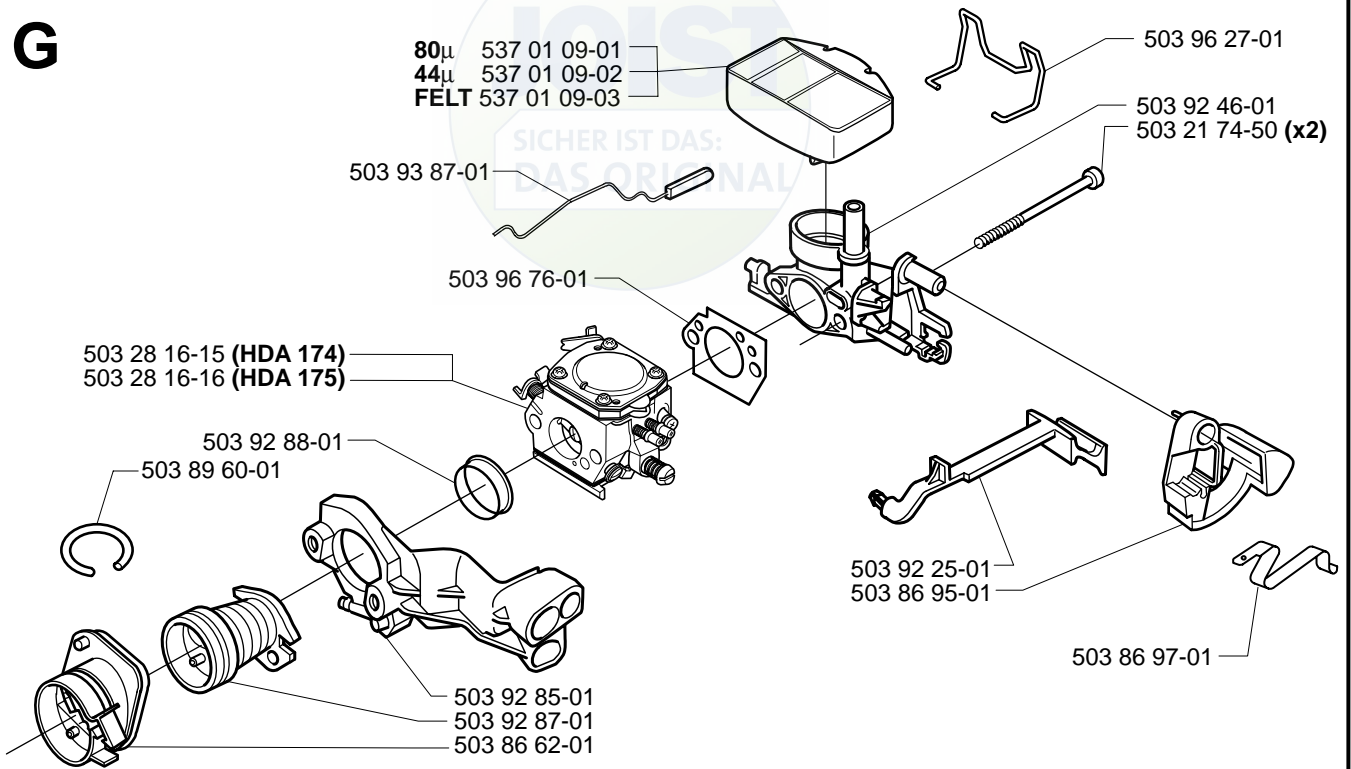
503 20 02-10 (x2)

503 91 74-01

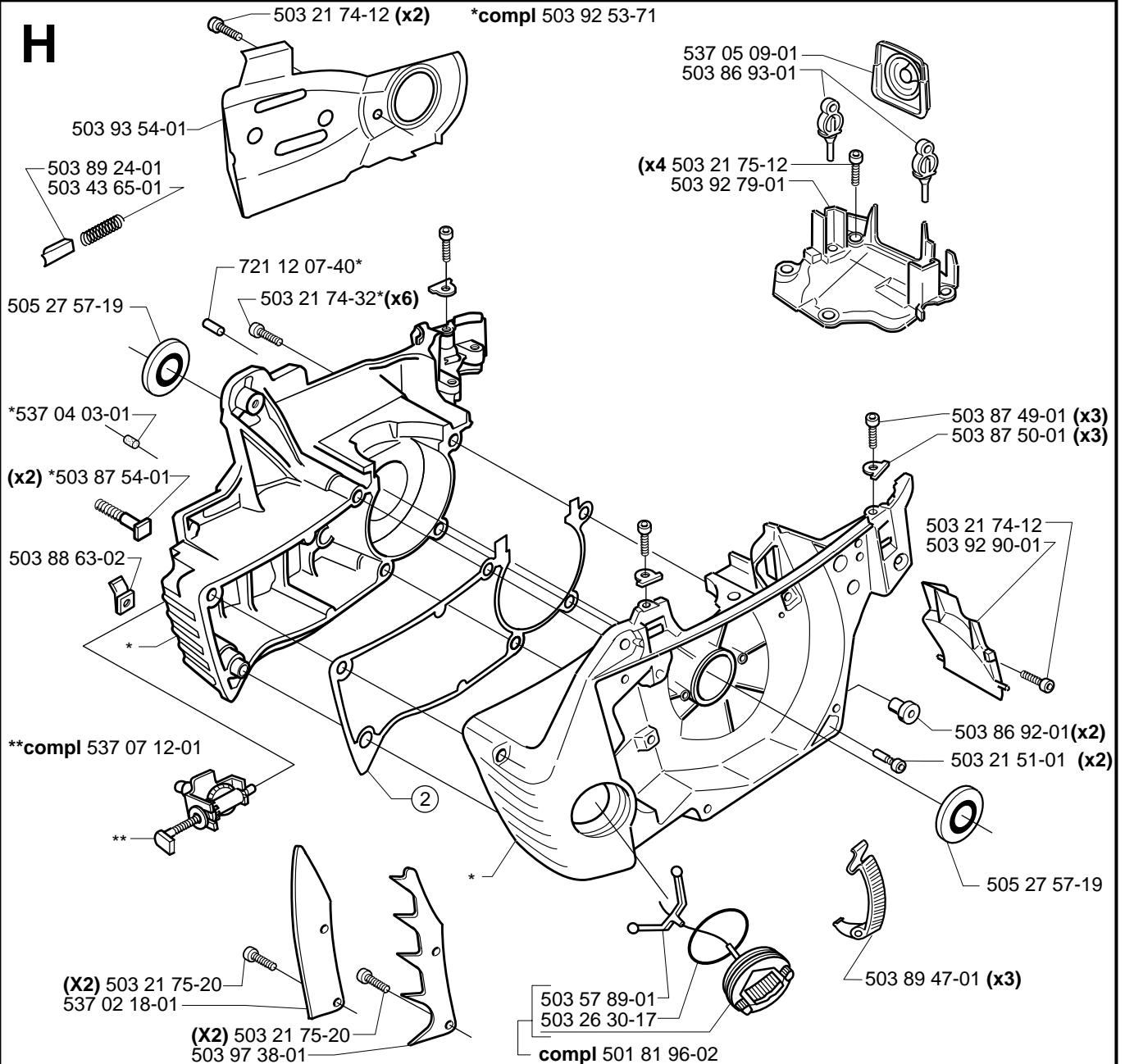
503 21 75-20



G

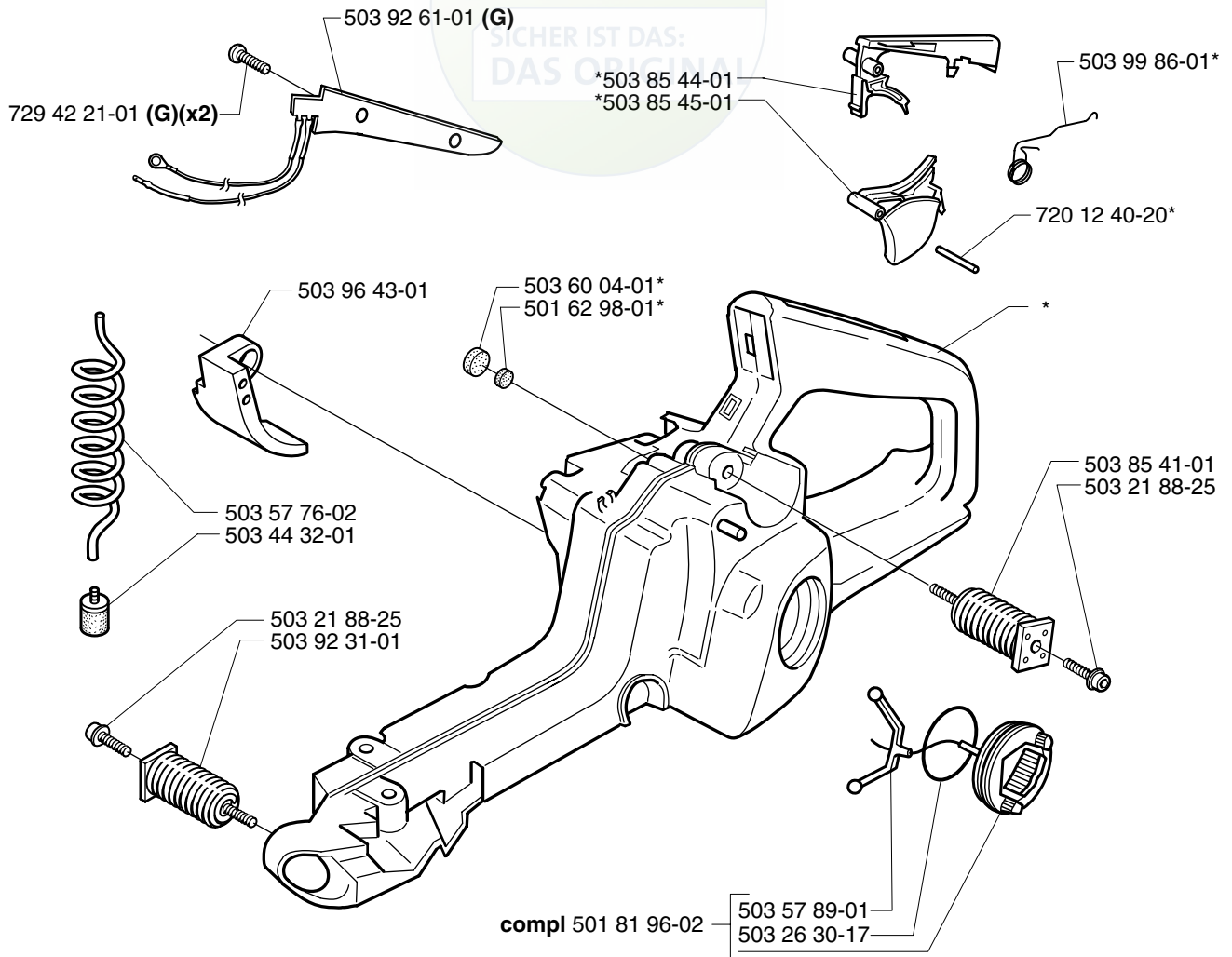


H

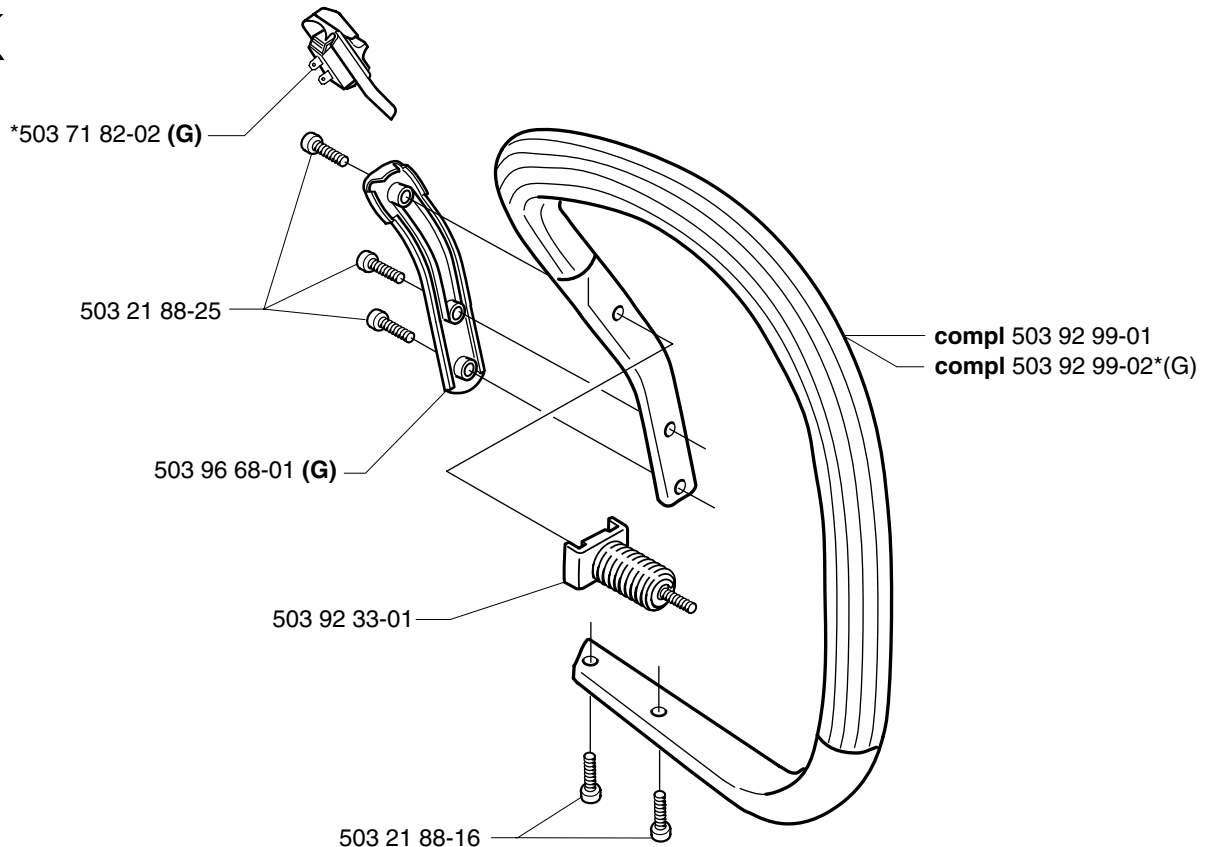


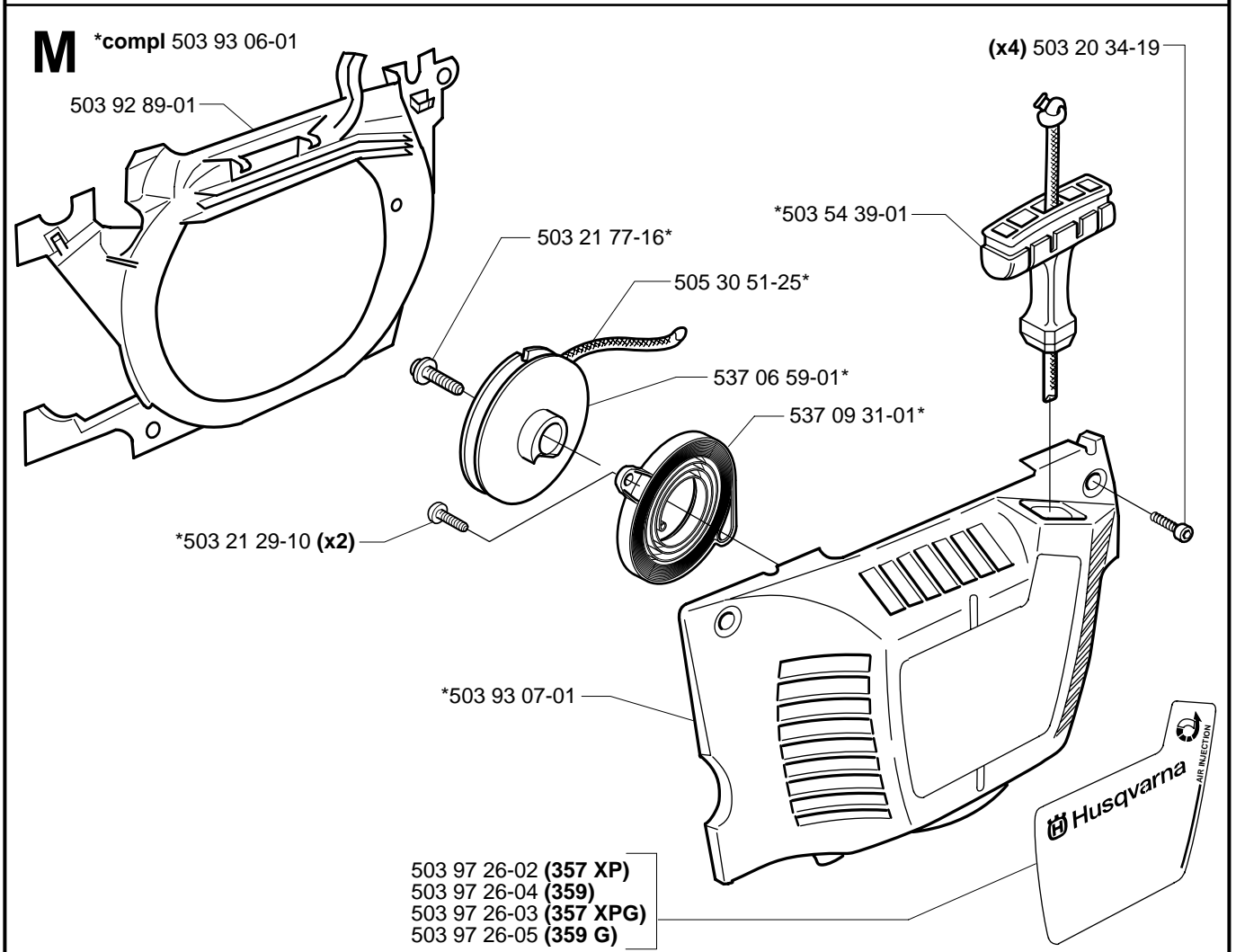
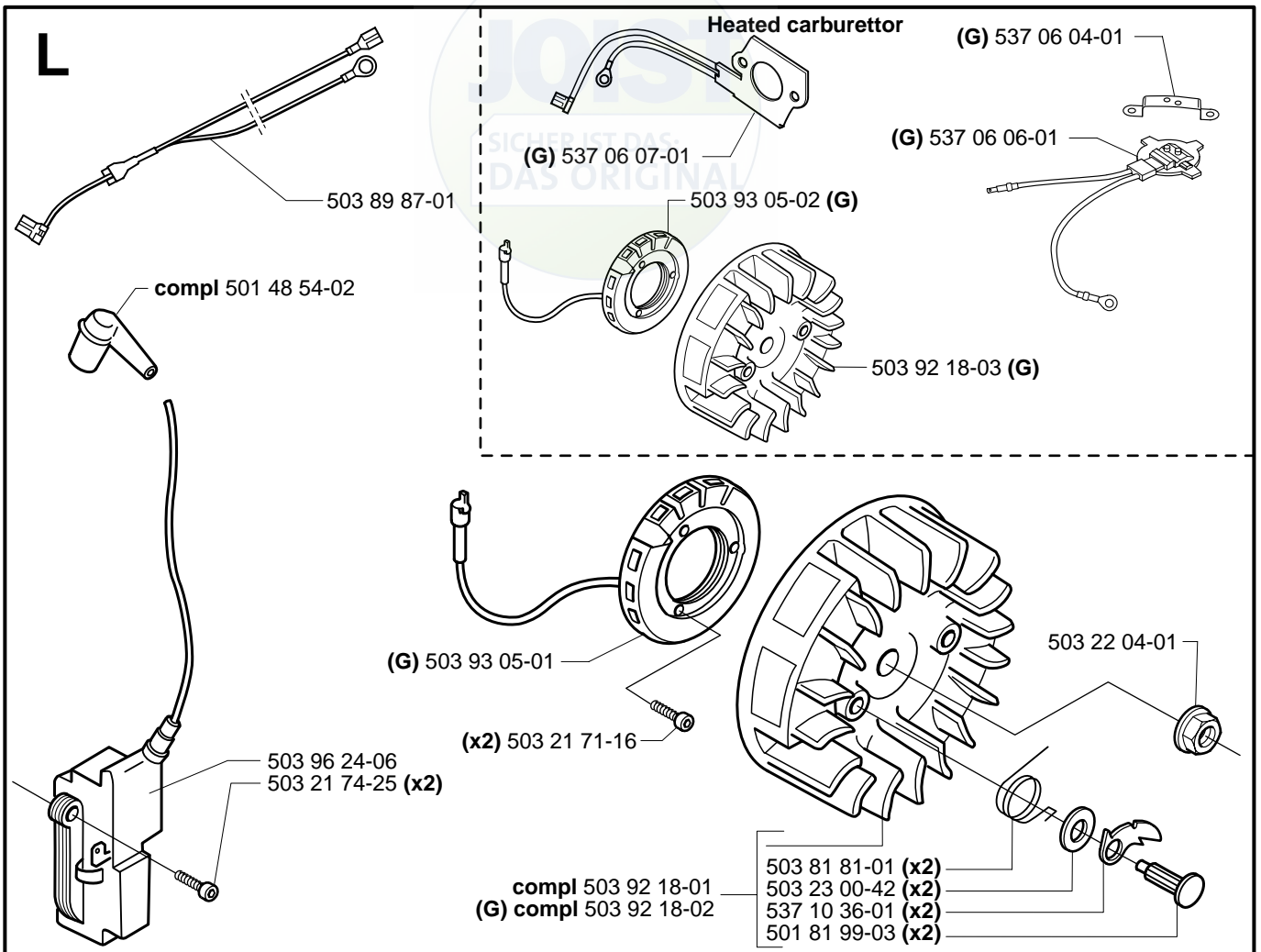
J

*compl 503 92 30-71

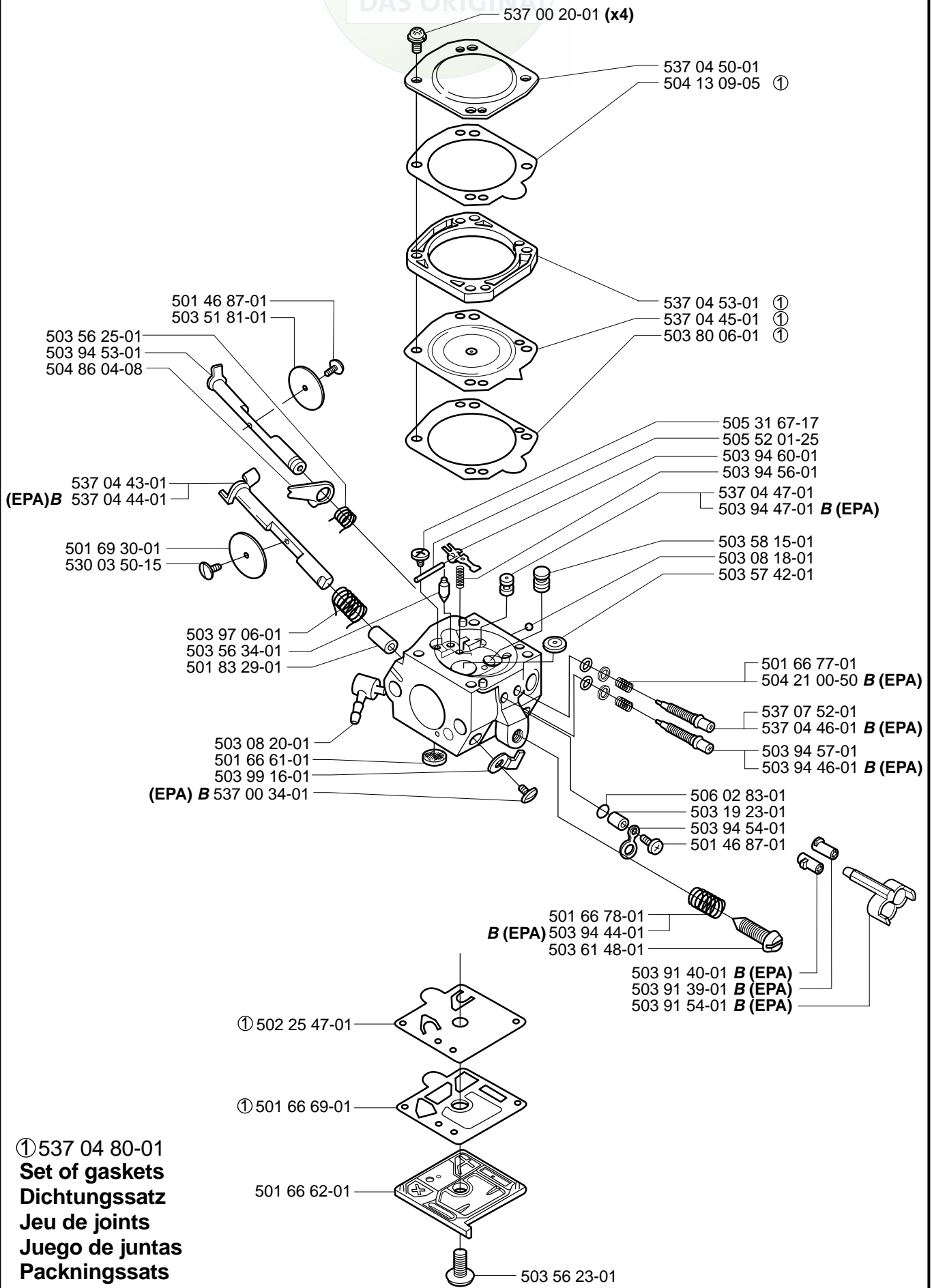
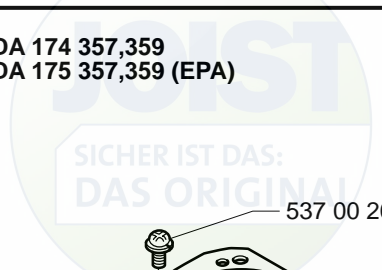


K





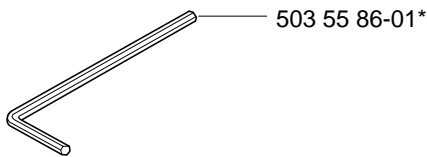
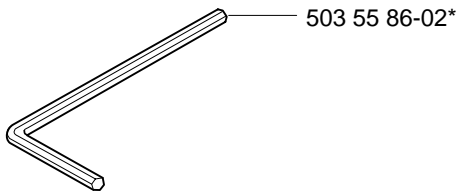
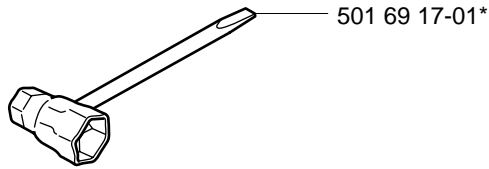
N A compl 503 28 16-15 Walbro HDA 174 357,359
 B compl 503 28 16-16 Walbro HDA 175 357,359 (EPA)



P

*compl 503 55 85-01

Accessories
Zubehöre
Accessories
Accesorios
Tillbehör



*compl 503 97 88-01 WINTER KIT

