

357XP, 359 357XP EPA, 359 EPA

Spare parts

Ersatzteile

Pièces détachées

Reserve onderdelen

Repuestos

Reservdelar

Replaces

Ersetzt

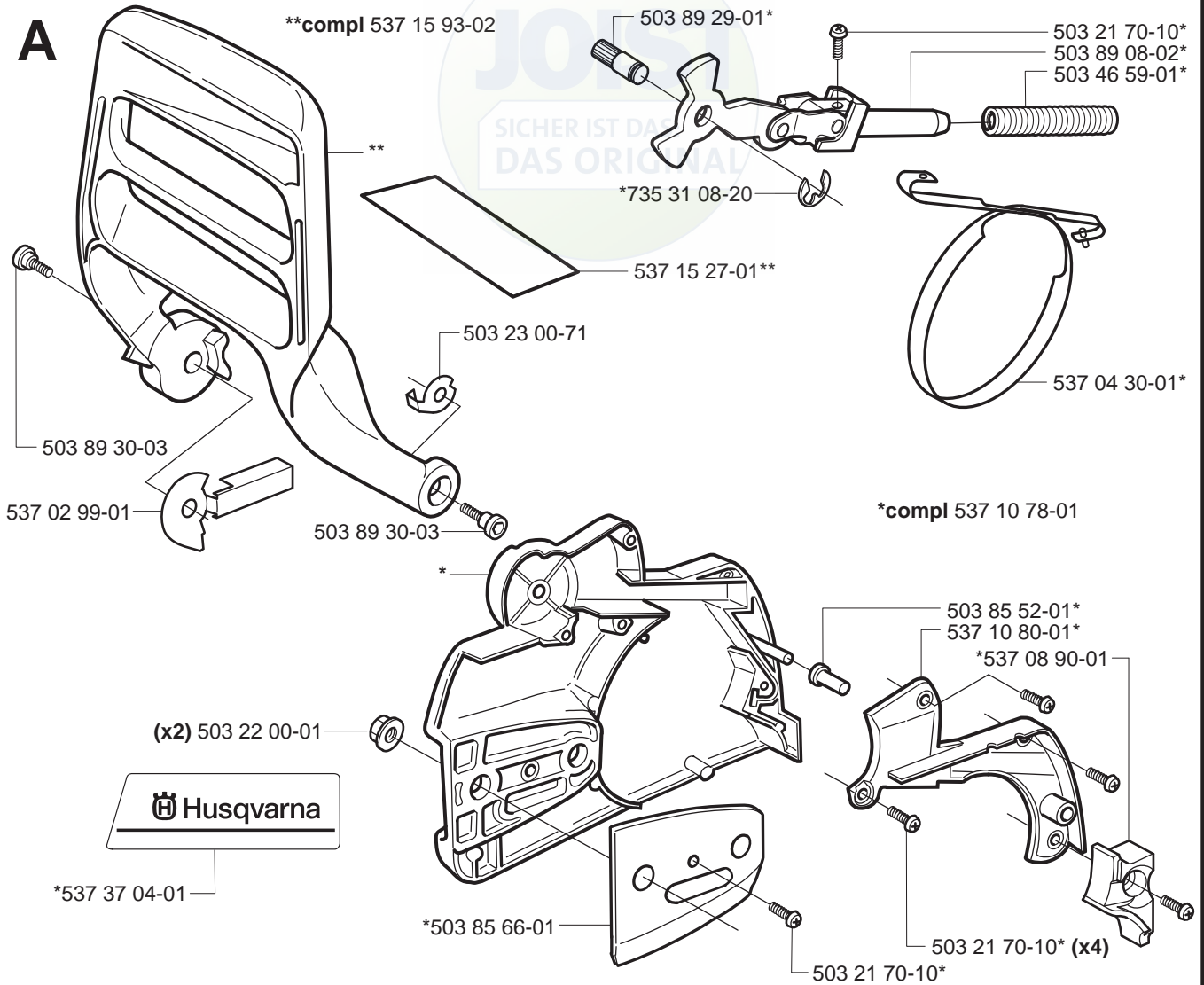
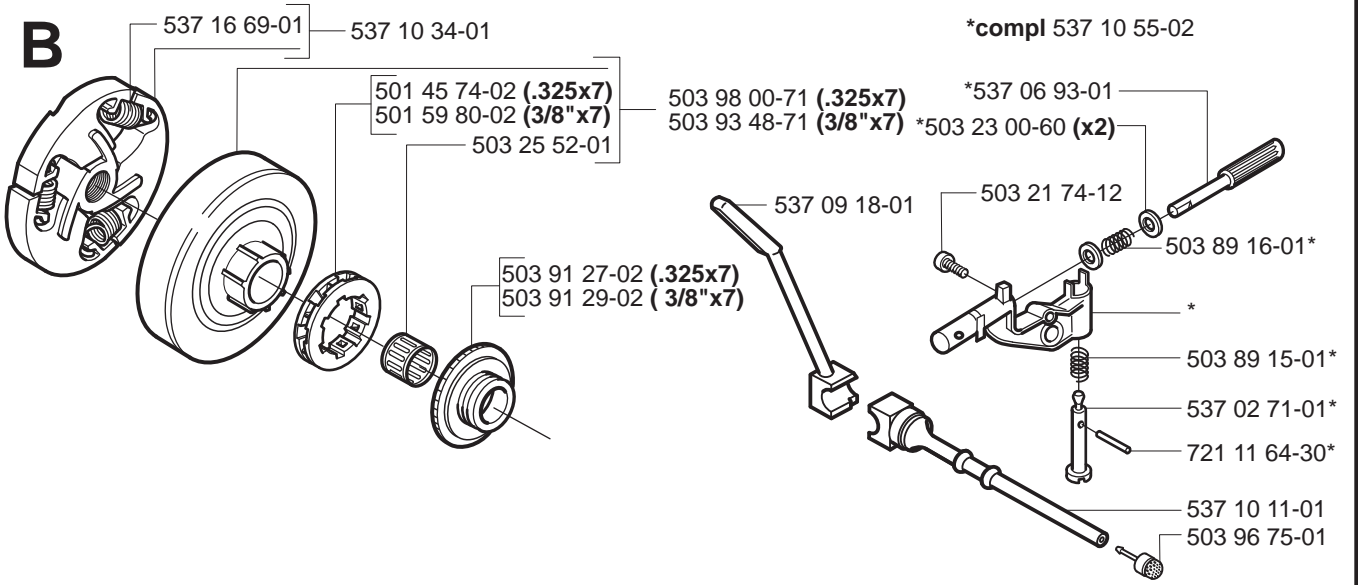
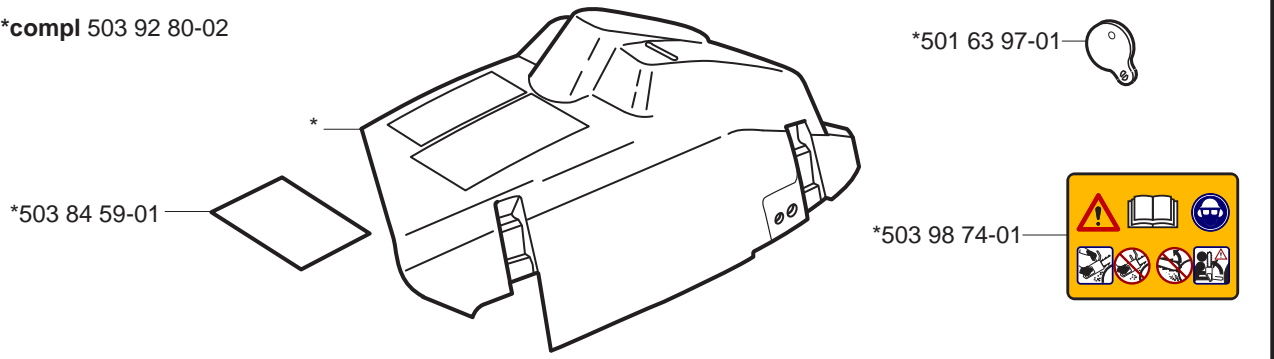
Remplace

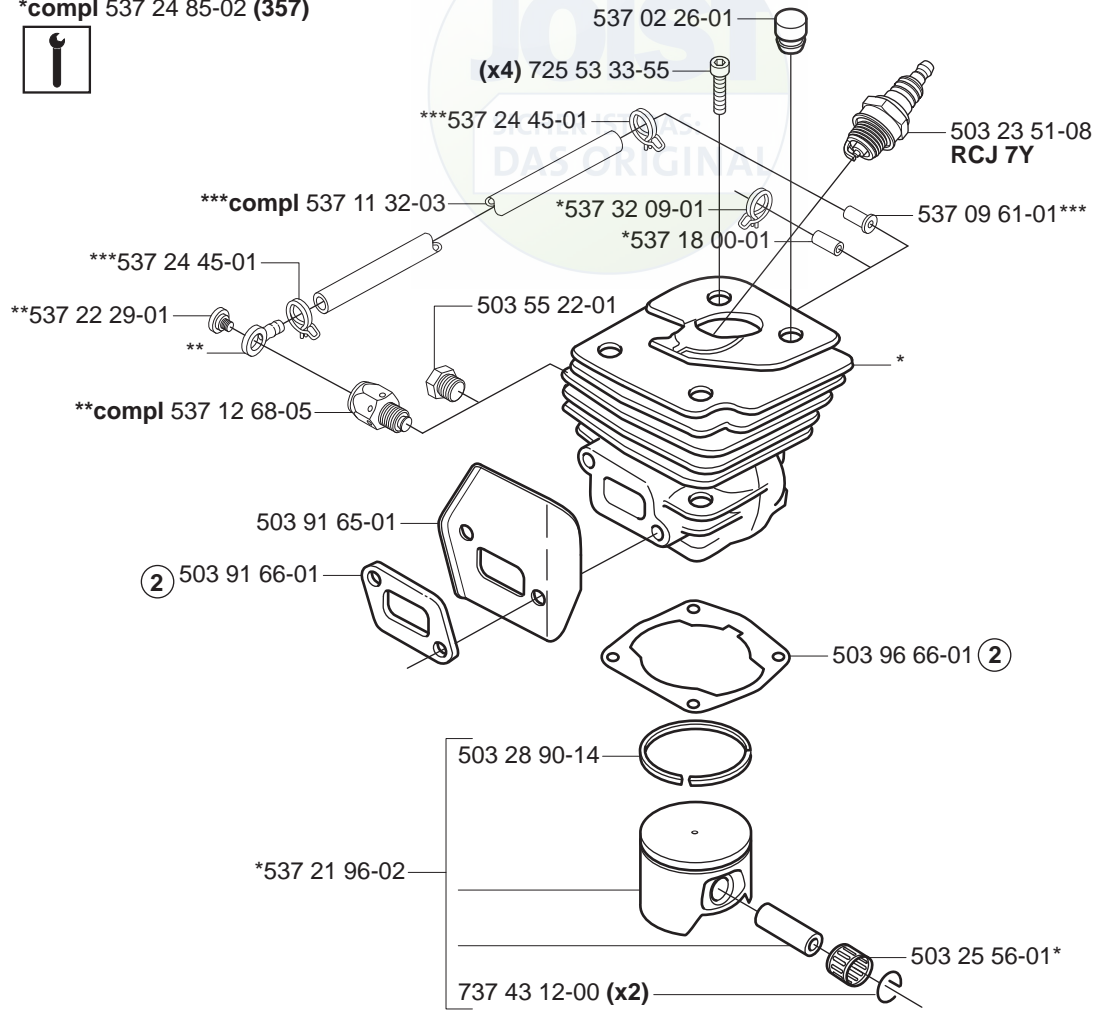
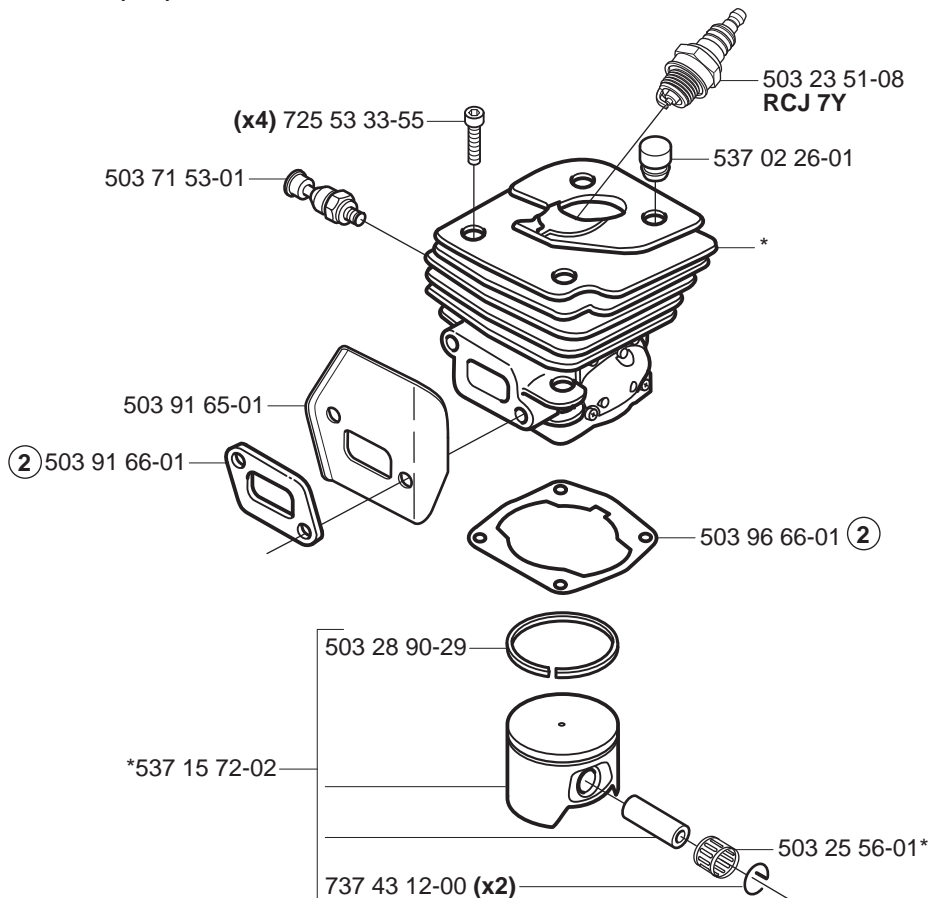
Vervangt

Reemplaza

Ersätter

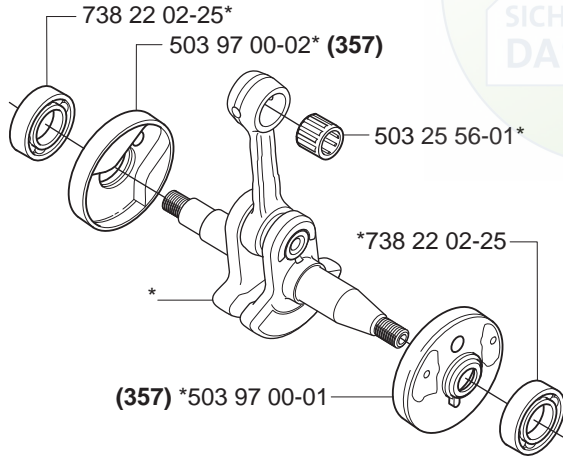
106 26 06-64

A****compl 537 15 93-02****Husqvarna****B****C*****compl 503 92 80-02**

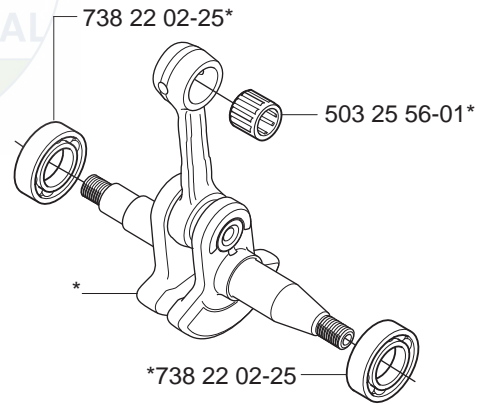
D***compl 537 24 85-02 (357)****D*****compl 537 15 73-02 (359)**

E

*compl 537 21 92-01 (357)

**E**

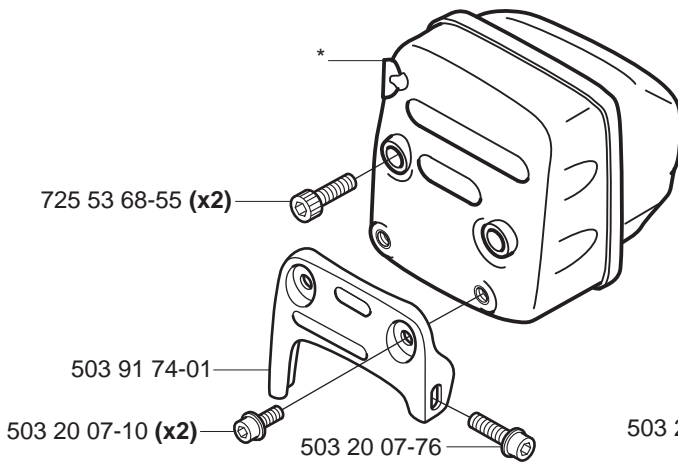
*compl 537 15 68-01 (359)

**F**

*compl 503 91 76-01 (EU)

**compl 503 91 75-01 (FF)

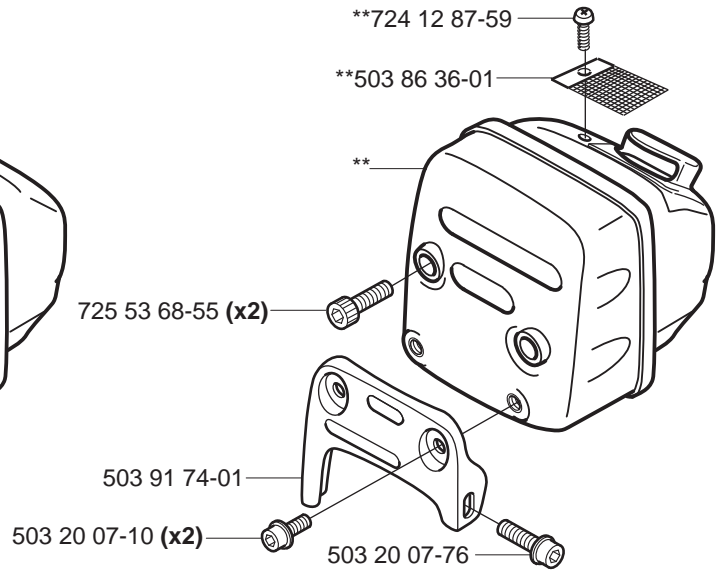
**compl 537 10 22-01 (E-tech)



**724 12 87-59

**503 86 36-01

**

**G**

80µ 537 01 09-01

44µ 537 01 09-02

FELT 537 01 09-03

503 96 27-01

503 93 87-02

725 53 41-55 (x2)

(Heated) 503 28 18-19 HDA 190A

(Heated EU,EPA) 503 28 18-20 HDA 191A

503 28 18-17 HDA 198A

(EU,EPA) 503 28 18-18 HDA 199A

503 92 46-01

503 96 76-01

537 24 65-01

503 92 88-01

503 92 25-01

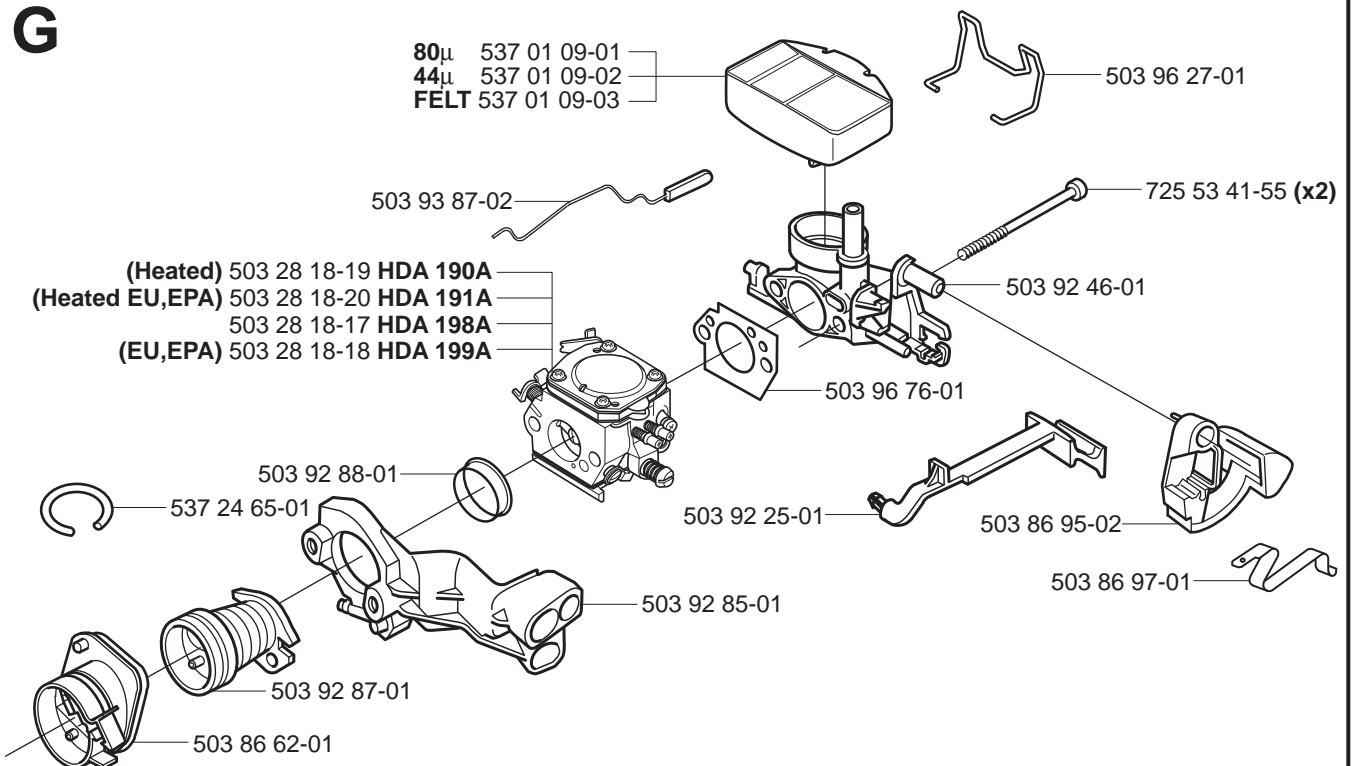
503 86 95-02

503 86 97-01

503 92 85-01

503 92 87-01

503 86 62-01

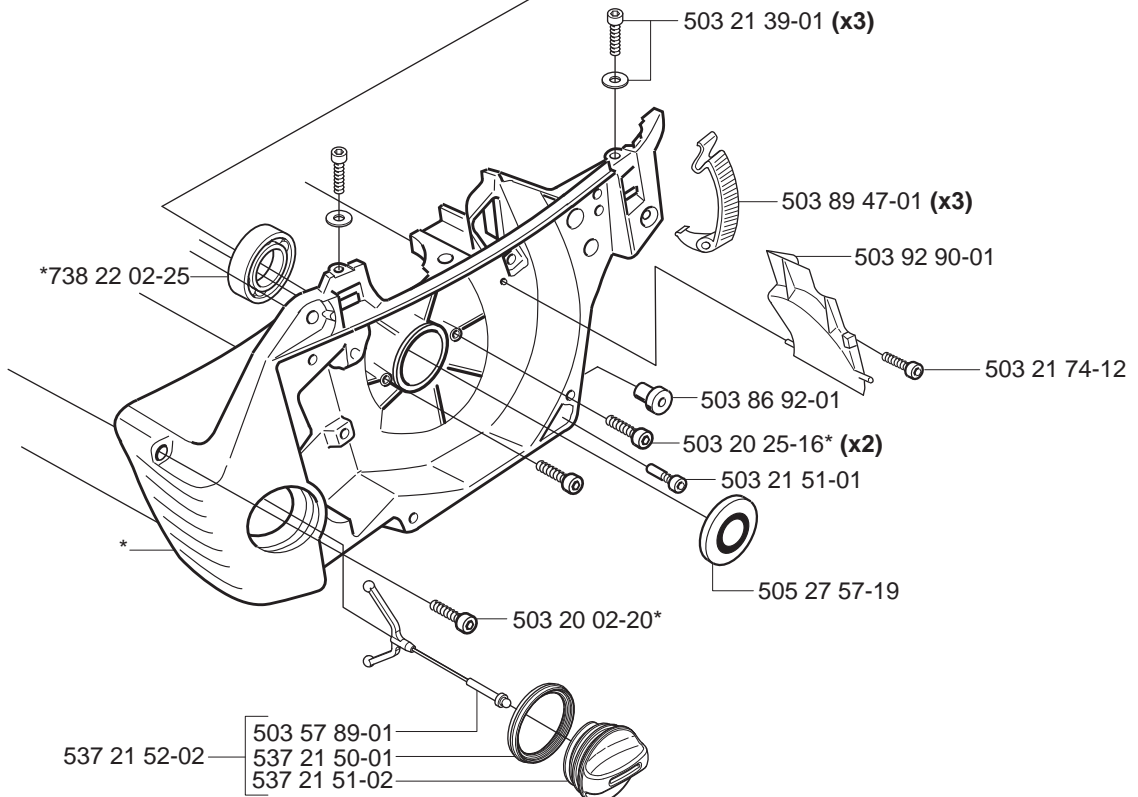
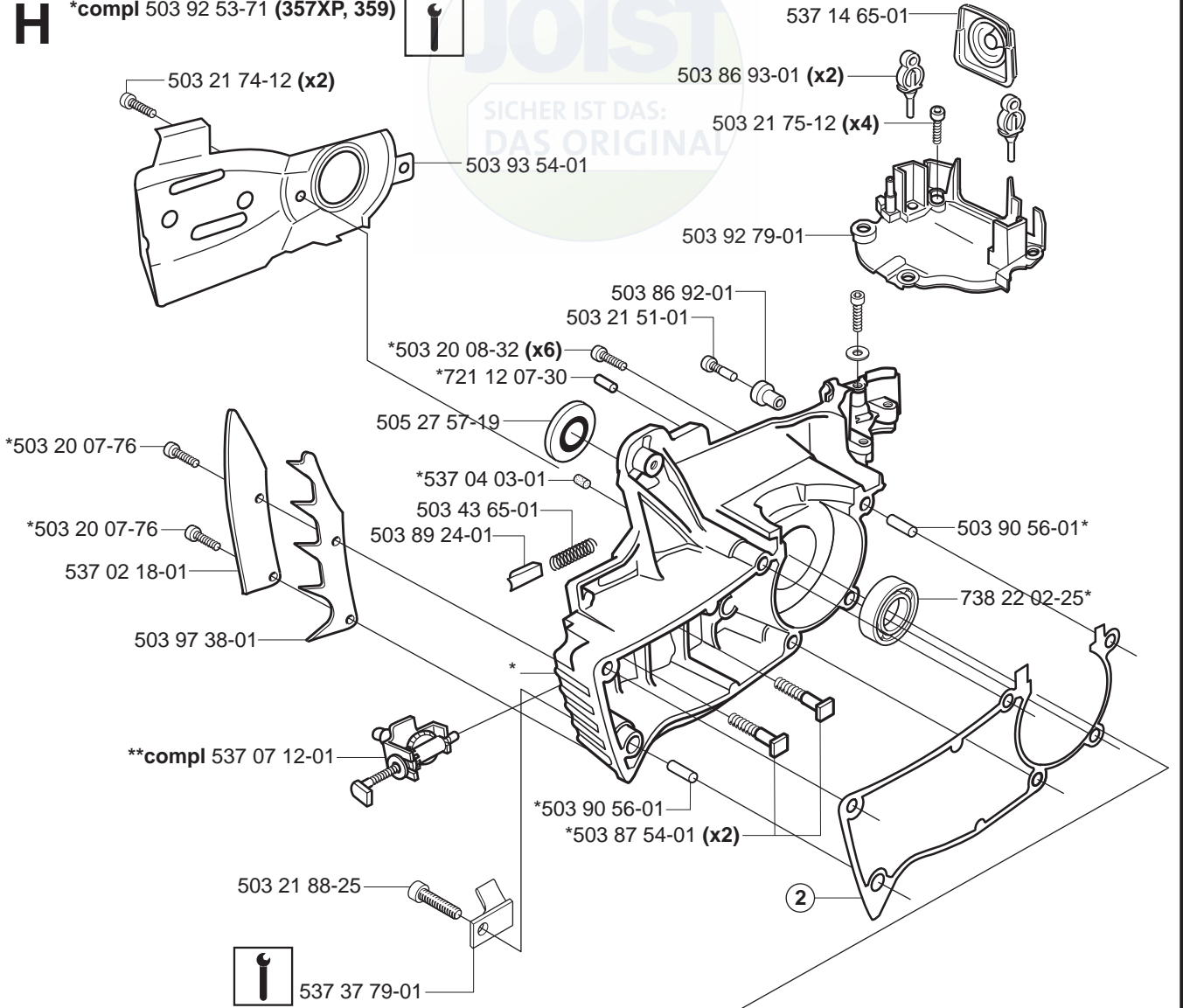


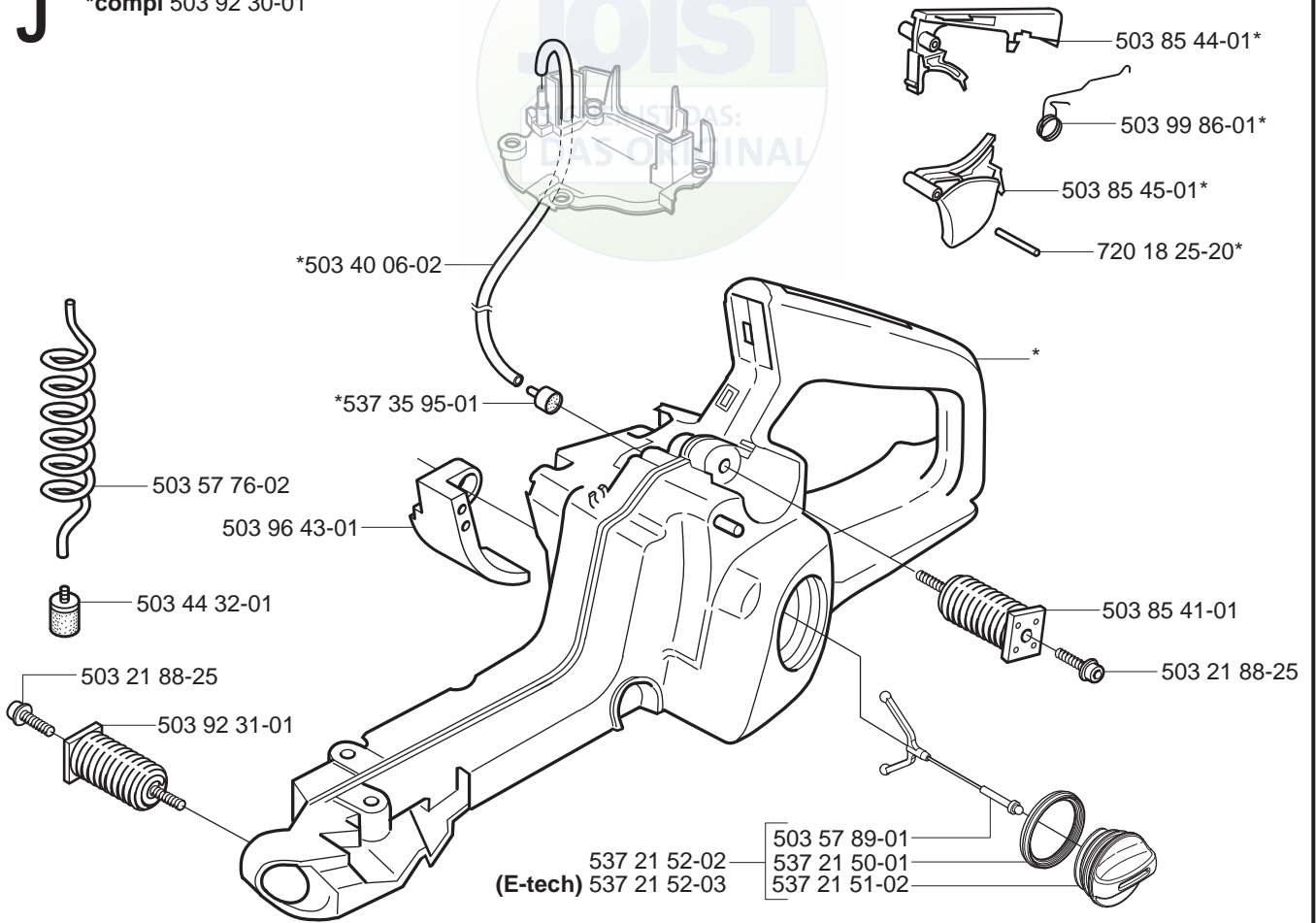
H

*compl 503 92 53-71 (357XP, 359)

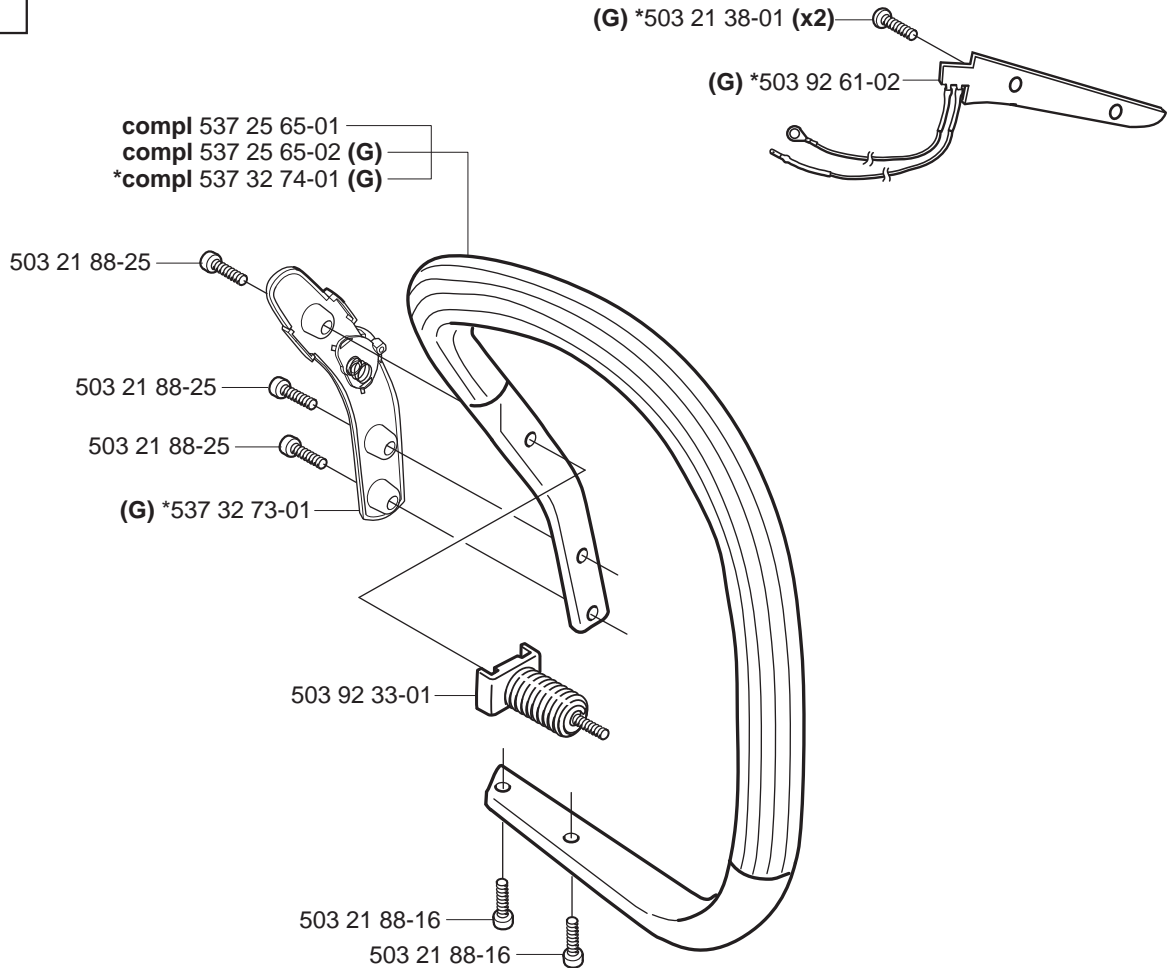


JOIST
SICHER IST DAS:
DAS ORIGINAL



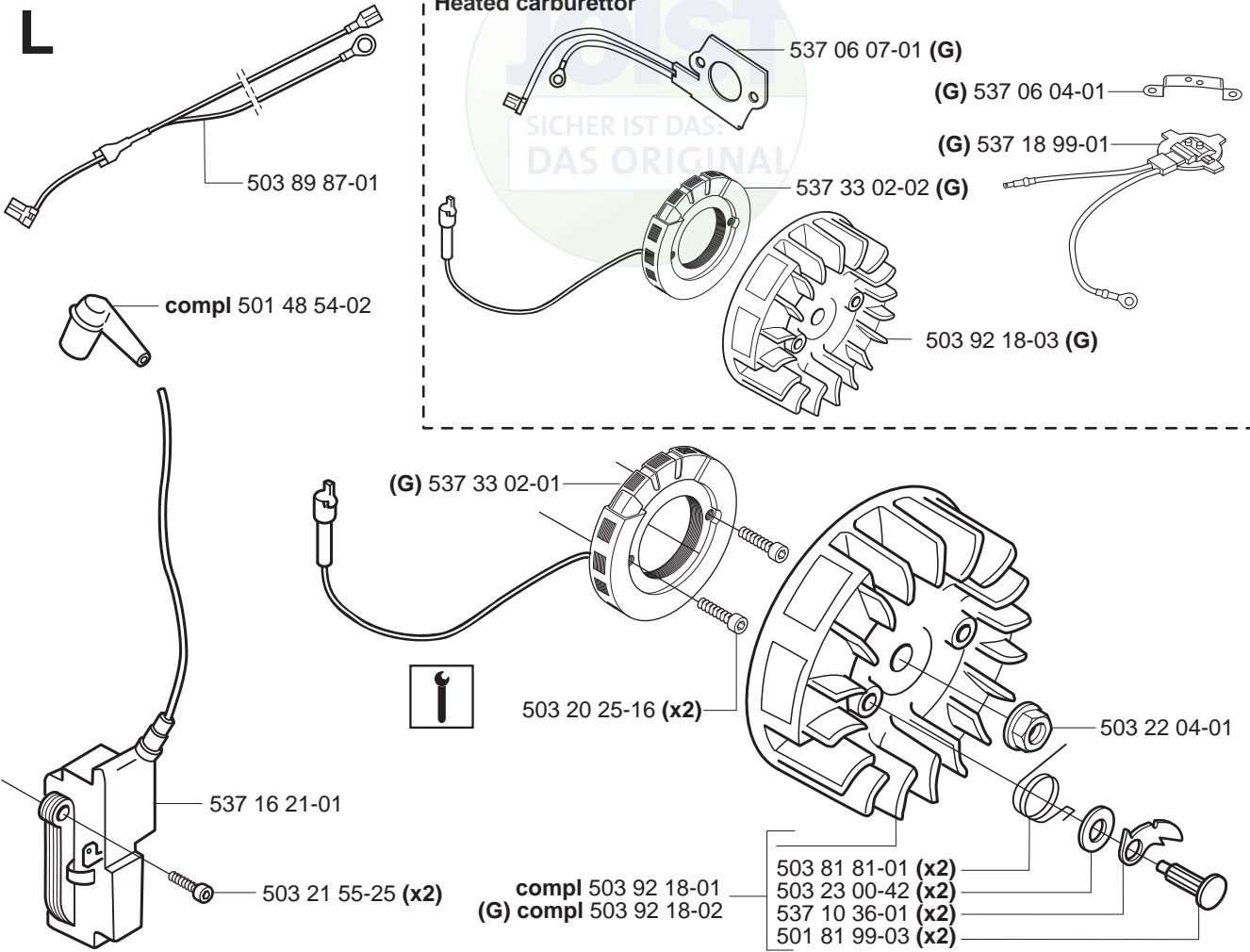
J***compl 503 92 30-01****K****i****(G) *503 21 38-01 (x2)****(G) *503 92 61-02**

compl 537 25 65-01
compl 537 25 65-02 (G)
***compl 537 32 74-01 (G)**



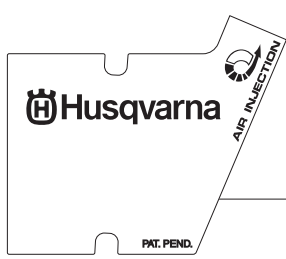
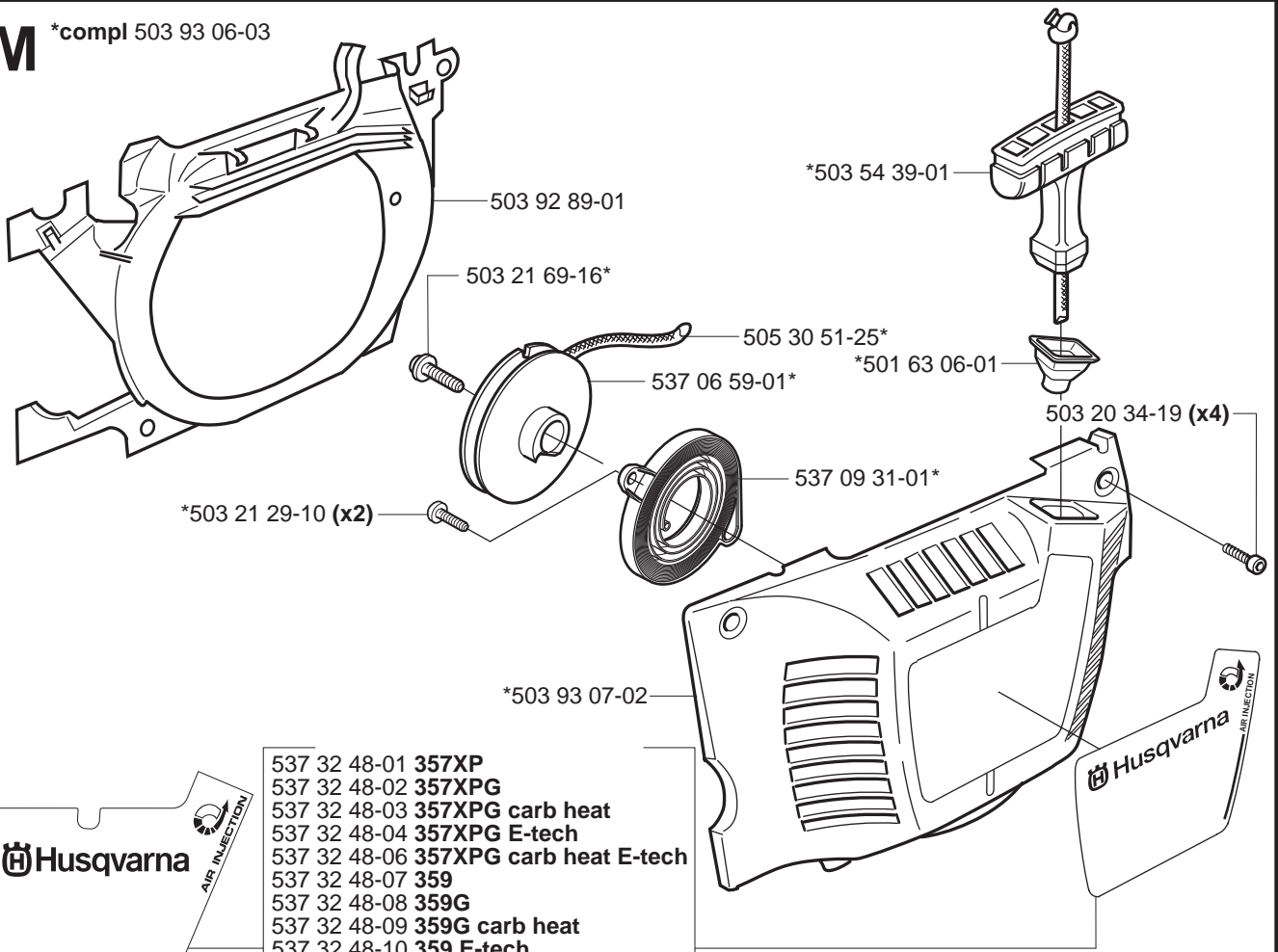
L

Heated carburettor



M

*compl 503 93 06-03

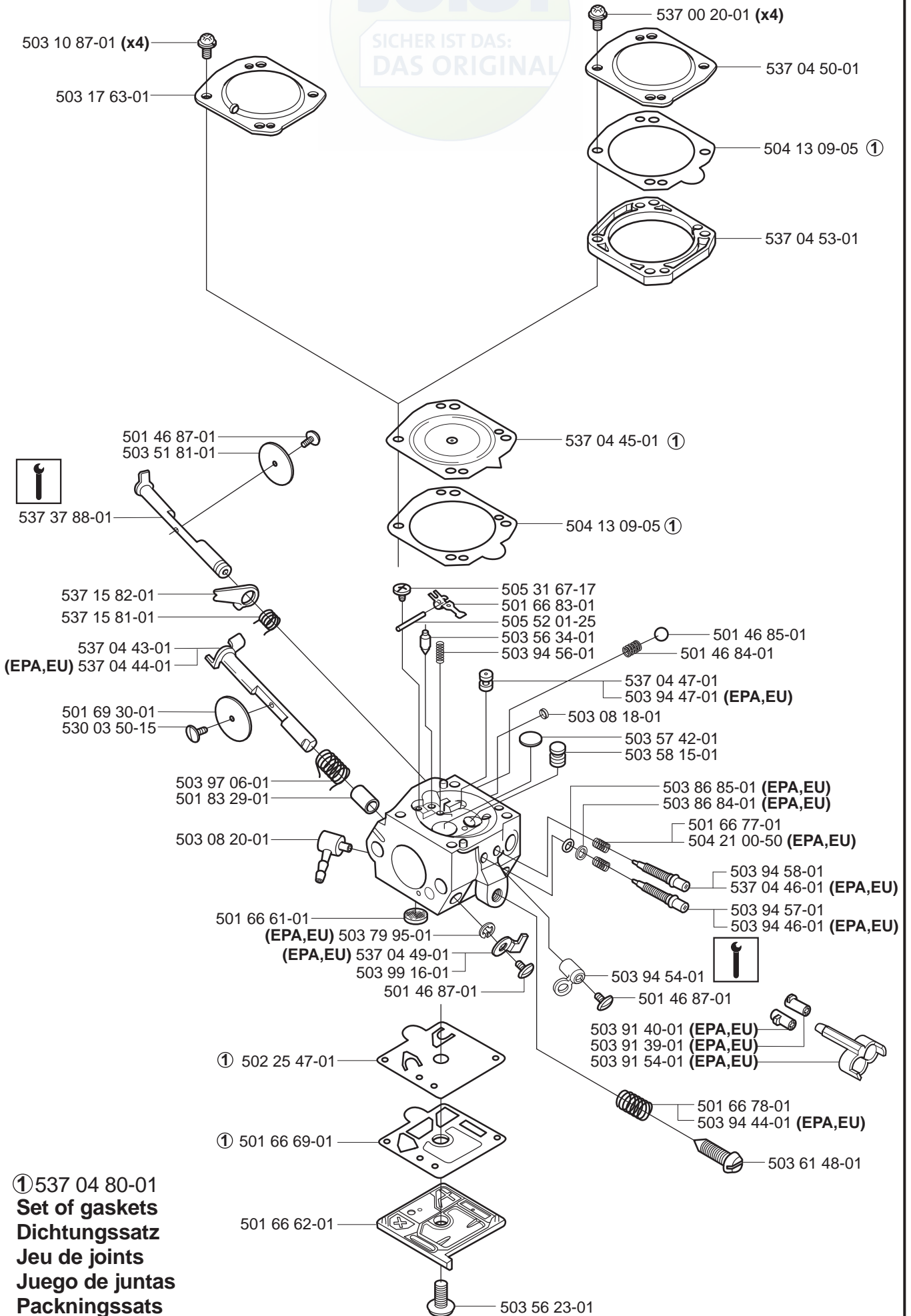
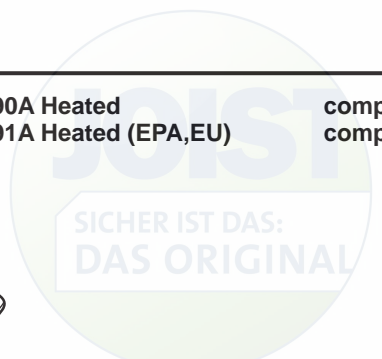


- 537 32 48-01 357XP
- 537 32 48-02 357XPG
- 537 32 48-03 357XPG carb heat
- 537 32 48-04 357XPG E-tech
- 537 32 48-06 357XPG carb heat E-tech
- 537 32 48-07 359
- 537 32 48-08 359G
- 537 32 48-09 359G carb heat
- 537 32 48-10 359 E-tech
- 537 32 48-11 359G E-tech
- 537 32 48-12 359G carb heat E-tech



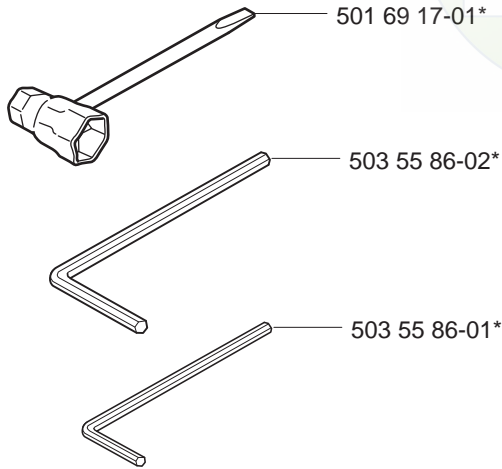
N compl 503 28 18-19 Walbro HDA 190A Heated
 compl 503 28 18-20 Walbro HDA 191A Heated (EPA,EU)

compl 503 28 18-17 Walbro HDA 198A
 compl 503 28 18-18 Walbro HDA 199A (EPA,EU)



① 537 04 80-01
Set of gaskets
Dichtungssatz
Jeu de joints
Juego de juntas
Packningssatz

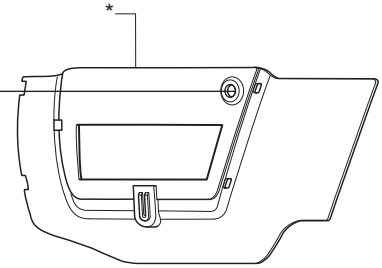
P Accessories
 Zubehöre
 Accessories
 Accesorios
 Tillbehör
 *compl 503 55 85-01



*compl 503 97 88-01 WINTER KIT

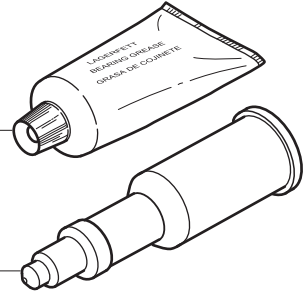
*503 21 70-16

*740 42 01-00



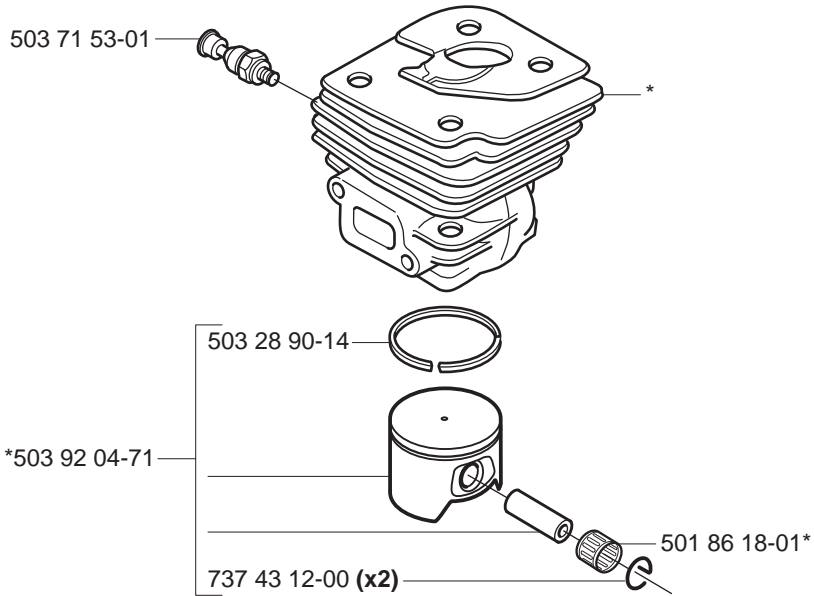
*503 62 12-01

*501 91 14-01

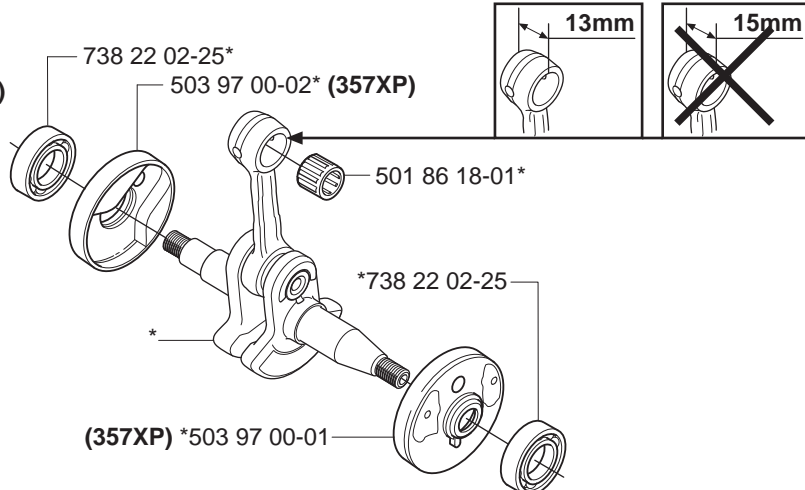


Up to 020700001 (357XP)

*compl 503 91 98-71 (357XP)



*compl 503 93 31-71 (357XP)

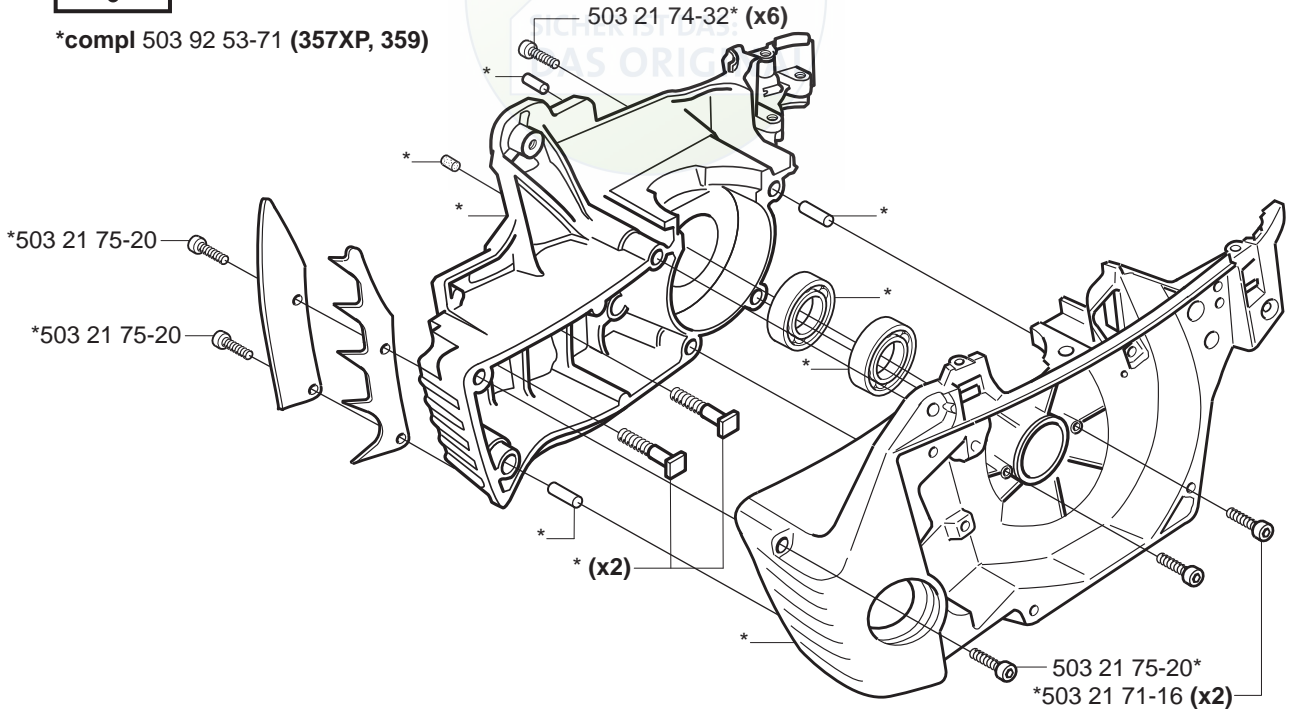


Q



Up to 030500001 (357XP)
Up to 030500048 (359)

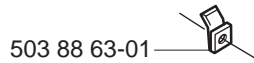
*compl 503 92 53-71 (357XP, 359)



Q



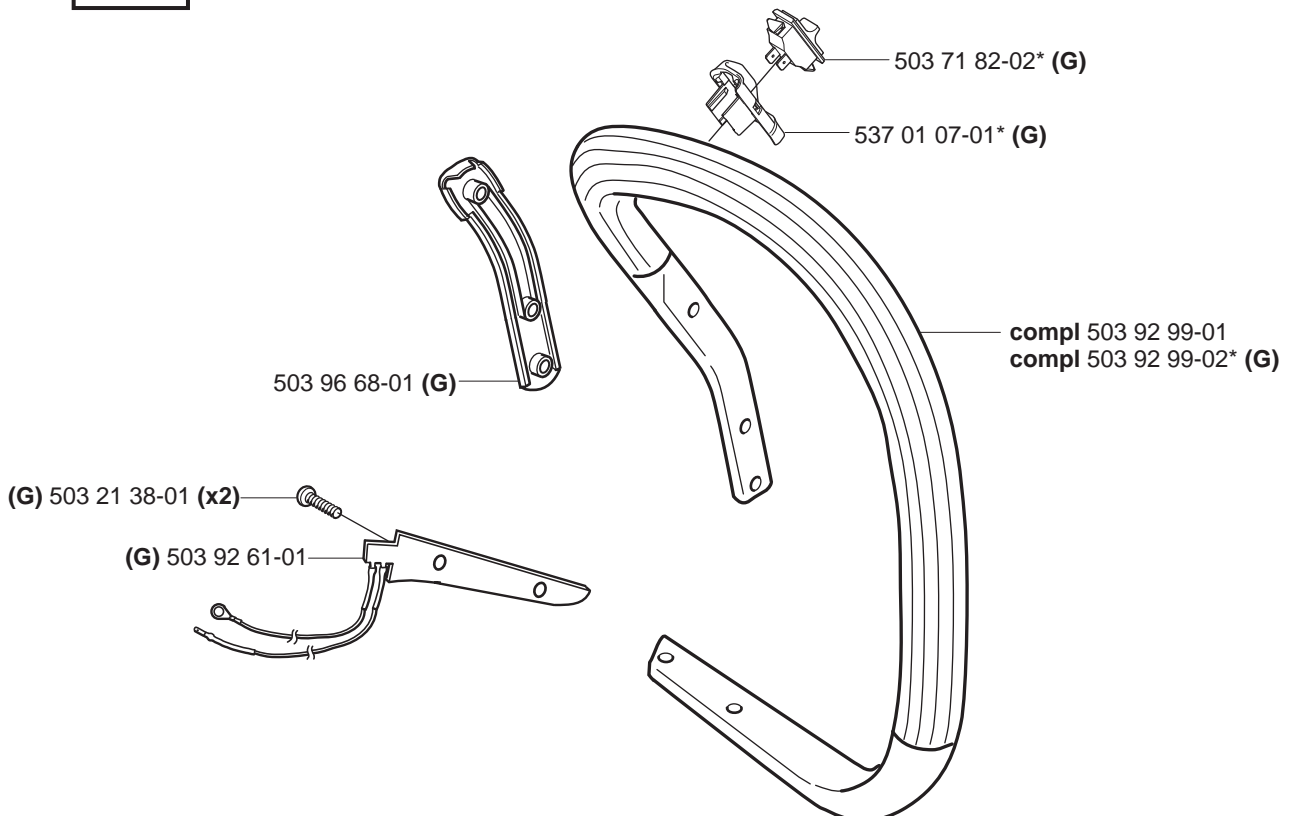
Up to 043900001 (357XP)
Up to 043900001 (359)



Q



Up to 043800001 (357XP,359)
Up to 044800001 (357XPG,359G)



Q



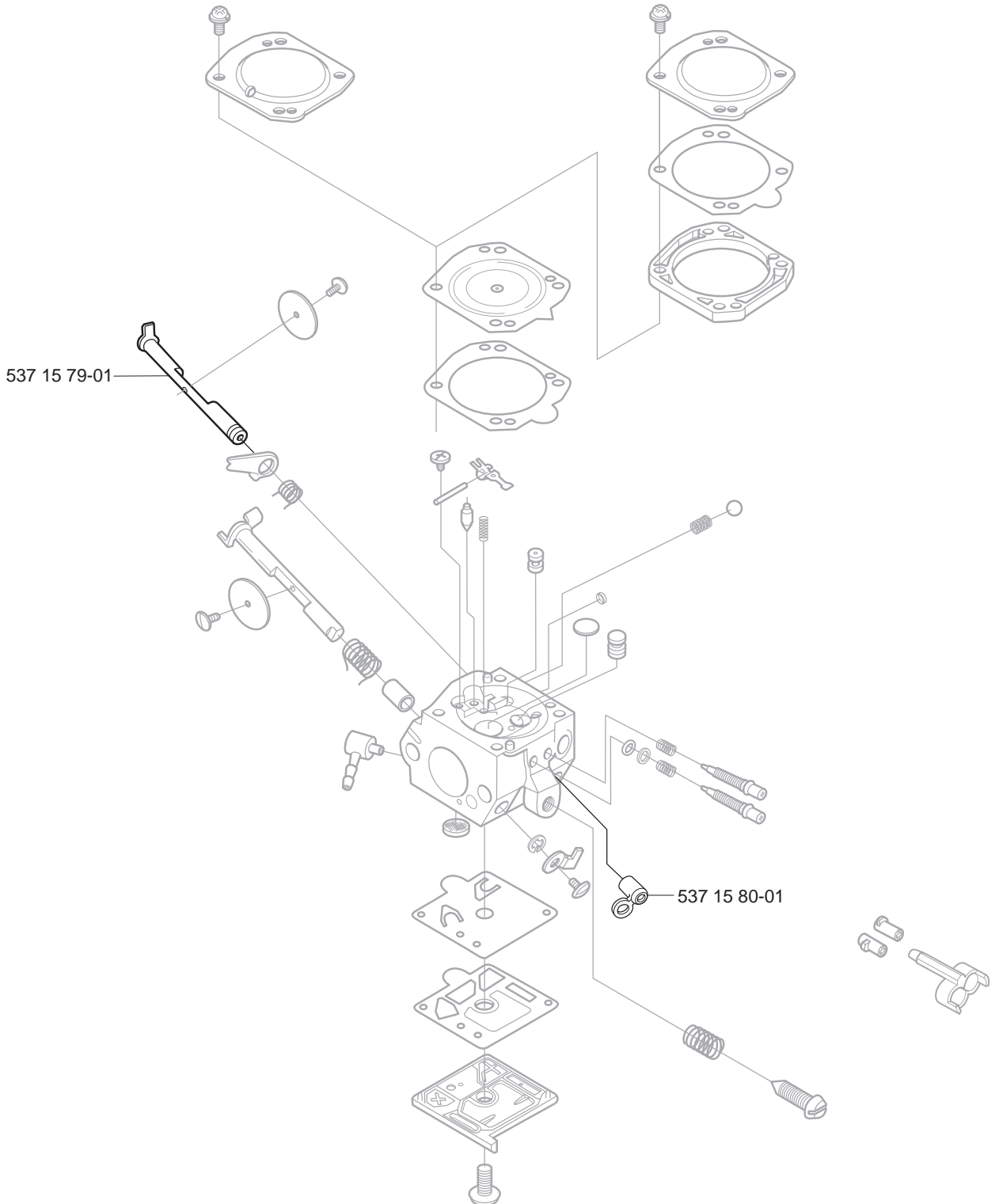
HDA 191 EPA, HDA 199 EPA:
Up to 041000001 (357XP)
Up to 041000001 (359)

HDA 198:
Up to 041800001 (357XP)
Up to 041800001 (359)

HDA 190:
Up to 043500001 (357XP)
Up to 043500001 (359)

compl 503 28 18-09 Walbro HDA 190 Heated
compl 503 28 18-10 Walbro HDA 191 Heated (EPA)

compl 503 28 18-15 Walbro HDA 198
compl 503 28 18-16 Walbro HDA 199 (EPA)



PART NUMBER	SQUARE NOTE	PART NUMBER	SQUARE NOTE	PART NUMBER	SQUARE NOTE	PART NUMBER	SQUARE NOTE
503 92 53-71	H	503 54 39-01	M	503 92 89-01	M	537 10 34-01	B
501 45 74-02	B	503 55 22-01	D	503 92 90-01	H	537 10 36-01	L
501 46 84-01	N	503 55 85-01	P	503 92 99-01	Q	537 10 55-02	B
501 46 85-01	N	503 55 86-01	P	503 92 99-02	Q	537 10 78-01	A
501 46 87-01	N	503 55 86-02	P	503 93 06-03	M	537 10 80-01	A
501 48 54-02	L	503 56 23-01	N	503 93 07-02	M	537 11 32-03	D
501 59 80-02	B	503 56 34-01	N	503 93 31-71	Q	537 12 68-05	D
501 63 06-01	M	503 57 42-01	N	503 93 48-71	B	537 14 65-01	H
501 63 97-01	C	503 57 76-02	J	503 93 54-01	H	537 15 27-01	A
501 66 61-01	N	503 57 89-01	H, J N	503 93 87-02	G	537 15 68-01	E
501 66 62-01	N	503 58 15-01	N	503 94 44-01	N	537 15 72-02	D
501 66 69-01	N	503 61 48-01	N	503 94 46-01	N	537 15 73-02	D
501 66 77-01	N	503 62 12-01	P	503 94 47-01	N	537 15 79-01	Q
501 66 78-01	N	503 71 53-01	D, Q	503 94 54-01	N	537 15 80-01	Q
501 66 83-01	N	503 71 82-02	Q	503 94 56-01	N	537 15 81-01	N
501 69 17-01	P	503 79 95-01	N	503 94 57-01	N	537 15 82-01	N
501 69 30-01	N	503 81 81-01	L	503 94 58-01	N	537 15 93-02	A
501 81 99-03	L	503 84 59-01	C	503 96 27-01	G	537 16 21-01	L
501 83 29-01	N	503 85 41-01	J	503 96 43-01	J	537 16 69-01	B
501 86 18-01	Q	503 85 44-01	J	503 96 66-01	D	537 18 00-01	D
501 91 14-01	P	503 85 45-01	J	503 96 68-01	Q	537 18 99-01	L
502 25 47-01	N	503 85 52-01	A	503 96 75-01	B	537 21 50-01	H, J N
503 08 18-01	N	503 85 66-01	A	503 96 76-01	G	537 21 51-02	H, J N
503 08 20-01	N	503 86 36-01	F	503 97 00-01	E, Q	537 21 52-02	H, J N
503 10 87-01	N	503 86 62-01	G	503 97 00-02	E, Q	537 21 52-03	J
503 17 63-01	N	503 86 84-01	N	503 97 06-01	N	537 21 92-01	E
503 20 02-20	H	503 86 85-01	N	503 97 38-01	H	537 21 96-02	D
503 20 07-10	F	503 86 92-01	H	503 97 88-01	P	537 22 29-01	D
503 20 07-76	F, H N	503 86 93-01	H	503 98 00-71	B	537 24 45-01	D
503 20 08-32	H	503 86 95-02	G	503 98 74-01	C	537 24 65-01	G
503 20 25-16	H, L	503 86 97-01	G	503 99 16-01	N	537 24 85-02	D
503 20 34-19	M	503 87 54-01	H	503 99 86-01	J	537 25 65-01	K
503 21 29-10	M	503 88 63-01	Q	504 13 09-05	N	537 25 65-02	K
503 21 38-01	K, Q	503 89 08-02	A	504 21 00-50	N	537 32 09-01	D
503 21 39-01	H	503 89 15-01	B	505 27 57-19	H	537 32 48-01	M
503 21 51-01	H	503 89 16-01	B	505 30 51-25	M	537 32 48-02	M
503 21 55-25	L	503 89 24-01	H	505 31 67-17	N	537 32 48-03	M
503 21 69-16	M	503 89 29-01	A	505 52 01-25	N	537 32 48-04	M
503 21 70-10	A	503 89 30-03	A	530 03 50-15	N	537 32 48-06	M
503 21 70-16	P	503 89 47-01	H	537 00 20-01	N	537 32 48-07	M
503 21 71-16	Q	503 89 87-01	L	537 01 07-01	Q	537 32 48-08	M
503 21 74-12	B, H	503 90 56-01	H	537 01 09-01	G	537 32 48-09	M
503 21 74-32	Q	503 91 27-02	B	537 01 09-02	G	537 32 48-10	M
503 21 75-12	H	503 91 29-02	B	537 01 09-03	G	537 32 48-11	M
503 21 75-20	Q	503 91 39-01	N	537 02 18-01	H	537 32 48-12	M
503 21 88-16	K	503 91 40-01	N	537 02 26-01	D	537 32 73-01	K
503 21 88-25	H, J, K	503 91 54-01	N	537 02 71-01	B	537 32 74-01	K
503 22 00-01	A	503 91 65-01	D	537 02 99-01	A	537 33 02-01	L
503 22 04-01	L	503 91 66-01	D	537 04 03-01	H	537 33 02-02	L
503 23 00-42	L	503 91 74-01	F	537 04 30-01	A	537 35 95-01	J
503 23 00-60	B	503 91 75-01	F	537 04 43-01	N	537 37 04-01	A
503 23 00-71	A	503 91 76-01	F	537 04 44-01	N	537 37 79-01	H
503 23 51-08	D	503 91 98-71	Q	537 04 45-01	N	537 37 88-01	N
503 25 52-01	B	503 92 04-71	Q	537 04 46-01	N	720 18 25-20	J
503 25 56-01	D, E	503 92 18-01	L	537 04 47-01	N	721 11 64-30	B
503 28 18-09	Q	503 92 18-02	L	537 04 49-01	N	721 12 07-30	H
503 28 18-10	Q	503 92 18-03	L	537 04 50-01	N	724 12 87-59	F
503 28 18-15	Q	503 92 25-01	G	537 04 53-01	N	725 53 33-55	D
503 28 18-16	Q	503 92 30-01	J	537 04 80-01	N	725 53 41-55	G
503 28 18-17	G, N	503 92 31-01	J	537 06 04-01	L	725 53 68-55	F
503 28 18-18	G, N EPA, CE	503 92 33-01	K	537 06 07-01	L	735 31 08-20	A
503 28 18-19	G, N EPA, CE	503 92 46-01	G	537 06 59-01	M	737 43 12-00	D, Q
503 28 18-20	G, N EPA, CE	503 92 53-71	Q	537 06 93-01	B	738 22 02-25	E, H, Q
503 28 90-14	D, Q	503 92 61-01	Q	537 07 12-01	H	740 42 01-00	P
503 28 90-29	D	503 92 61-02	K	537 08 90-01	A		
503 40 06-02	J	503 92 79-01	H	537 09 18-01	B		
503 43 65-01	H	503 92 80-02	C	537 09 31-01	M		
503 44 32-01	J	503 92 85-01	G	537 09 61-01	D		
503 46 59-01	A	503 92 87-01	G	537 10 11-01	B		
503 51 81-01	N	503 92 88-01	G	537 10 22-01	F		

Set of gaskets, Dichtungssatz,
Jeu de joints, Juego de juntas,
Packningssats

N = New part, Neues teil,
Nouvelle piece, Nueva pieza
Ny detalj