



356BT
X-SERIES

356BF
X-SERIES

Spare parts

Ersatzteile

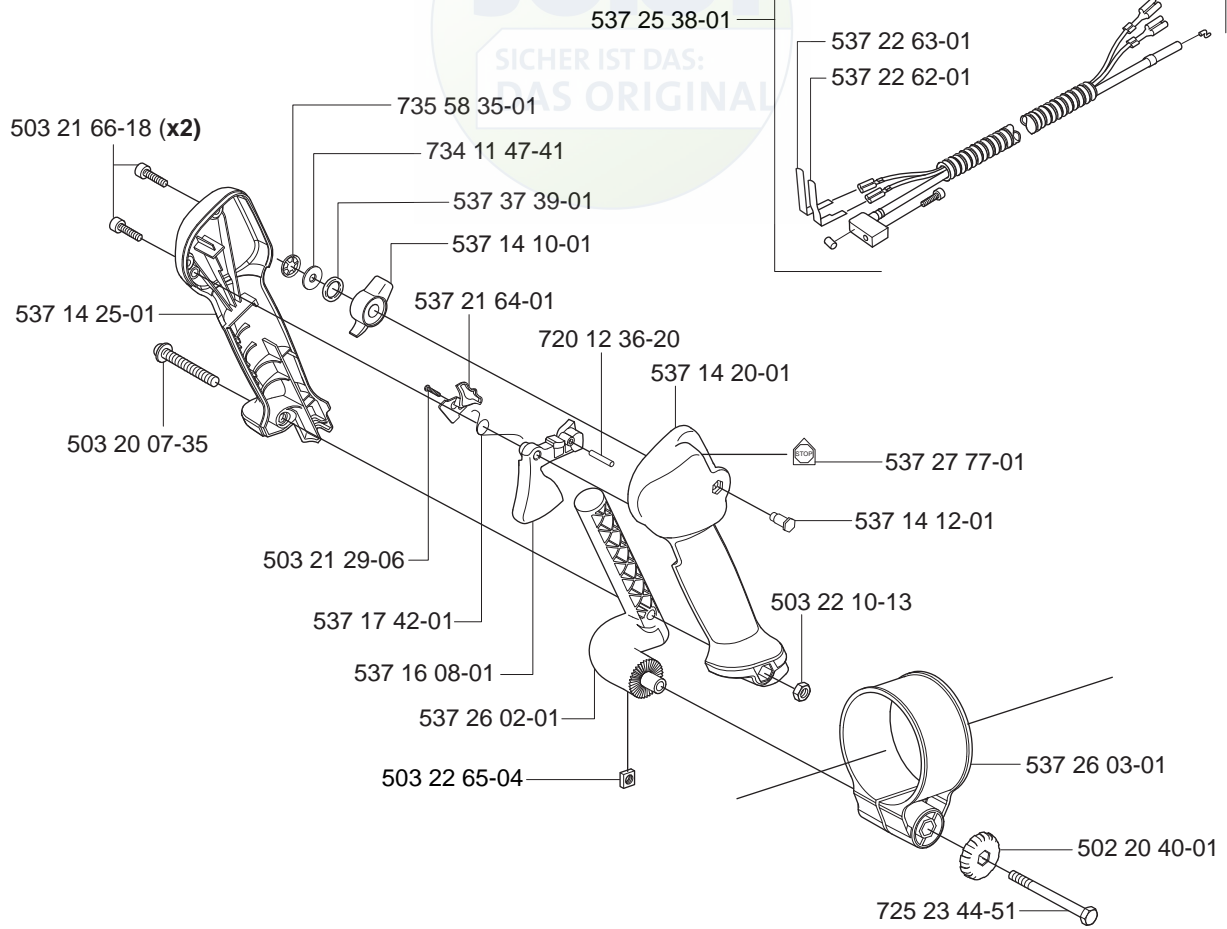
Pièces détachées

Reserve onderdelen

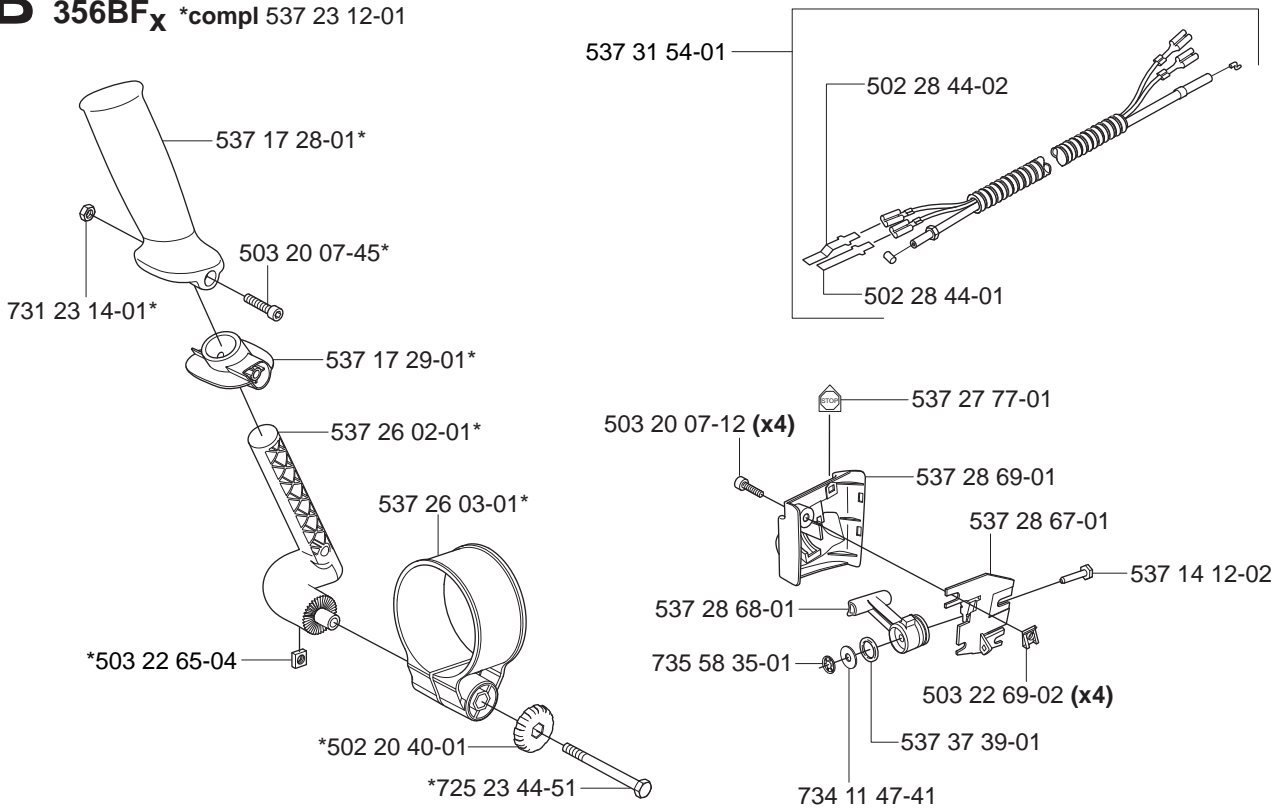
Repuestos

Reservdelar

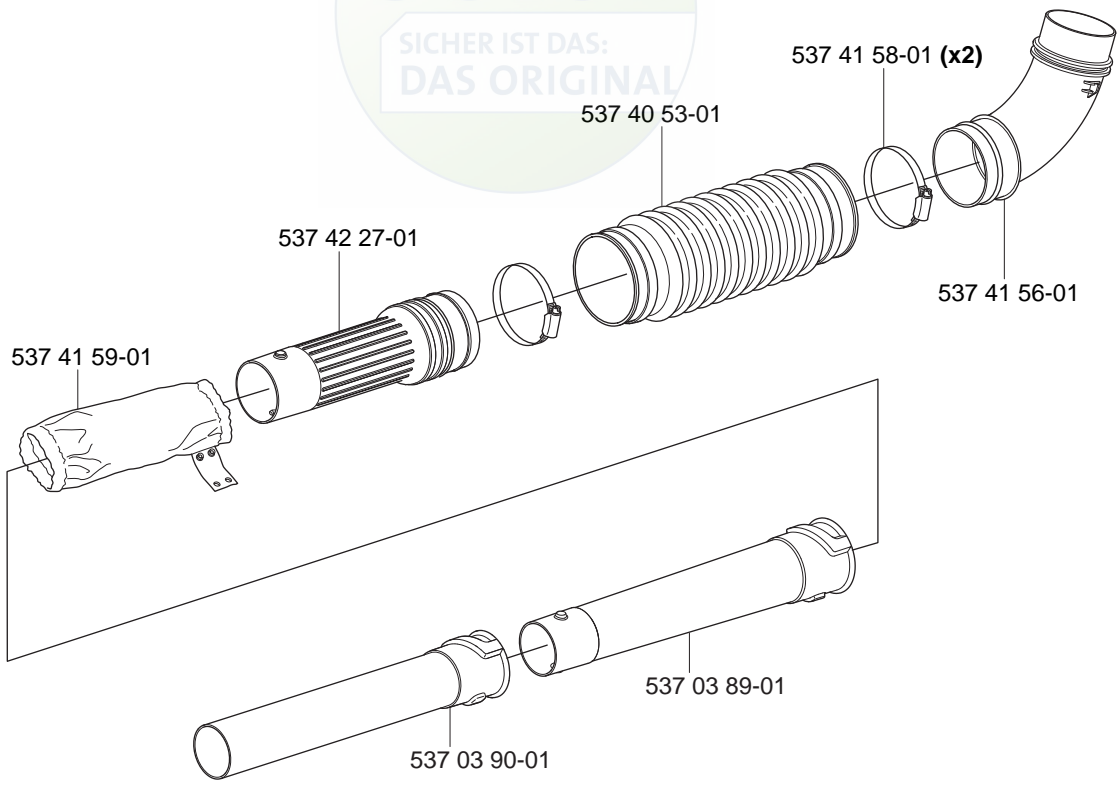
A 356BT_x compl 537 00 68-01



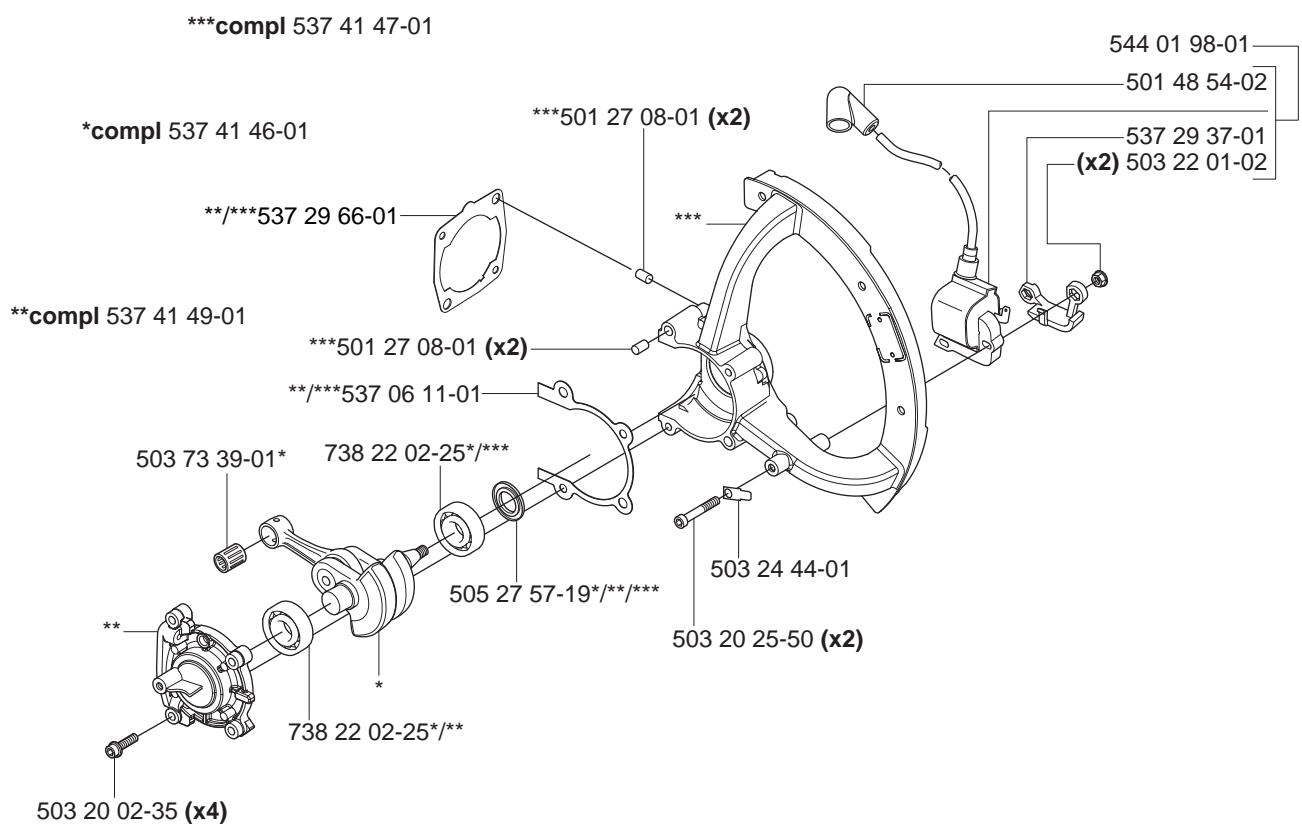
B 356BF_x *compl 537 23 12-01



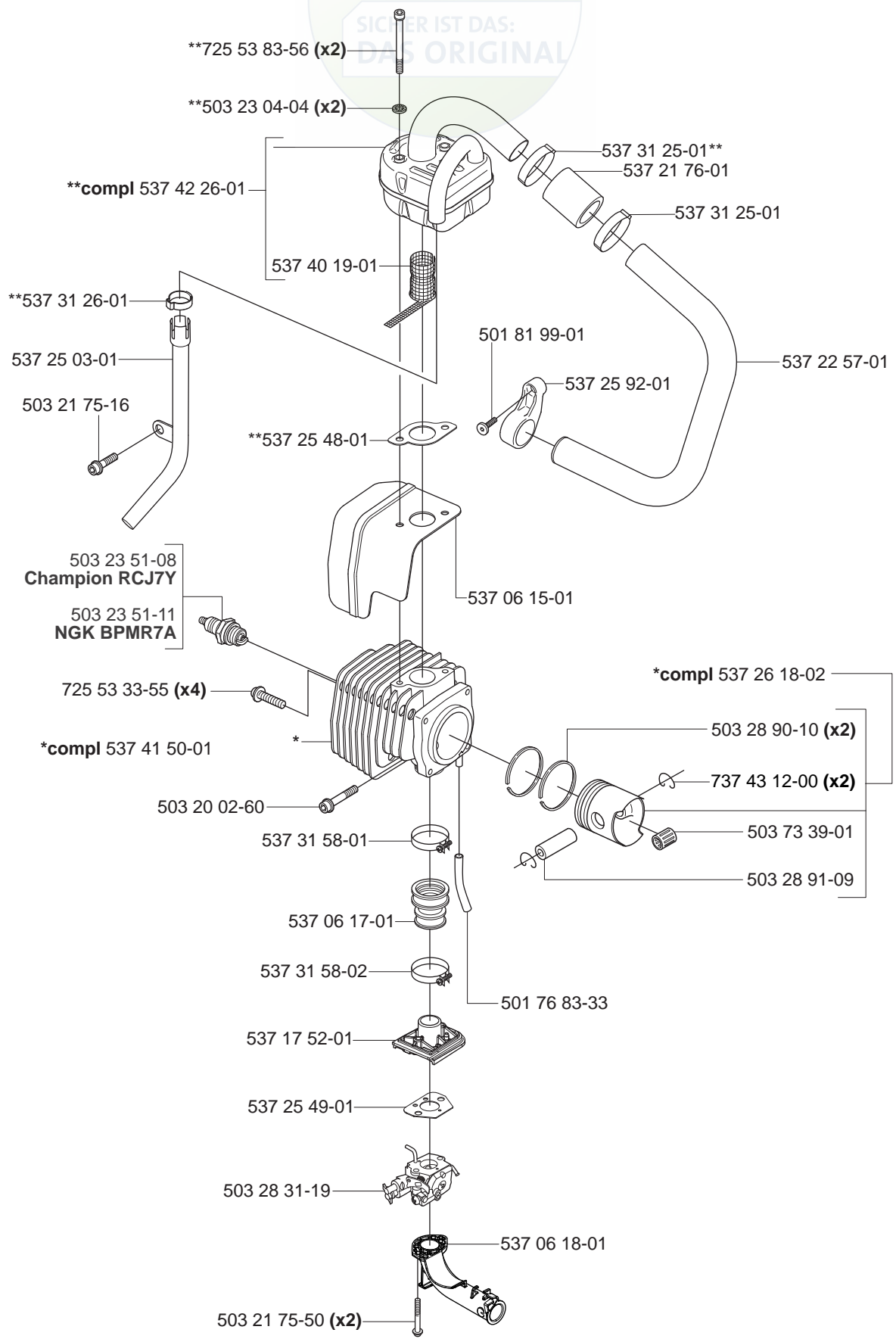
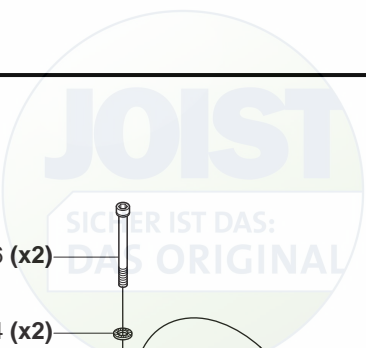
C



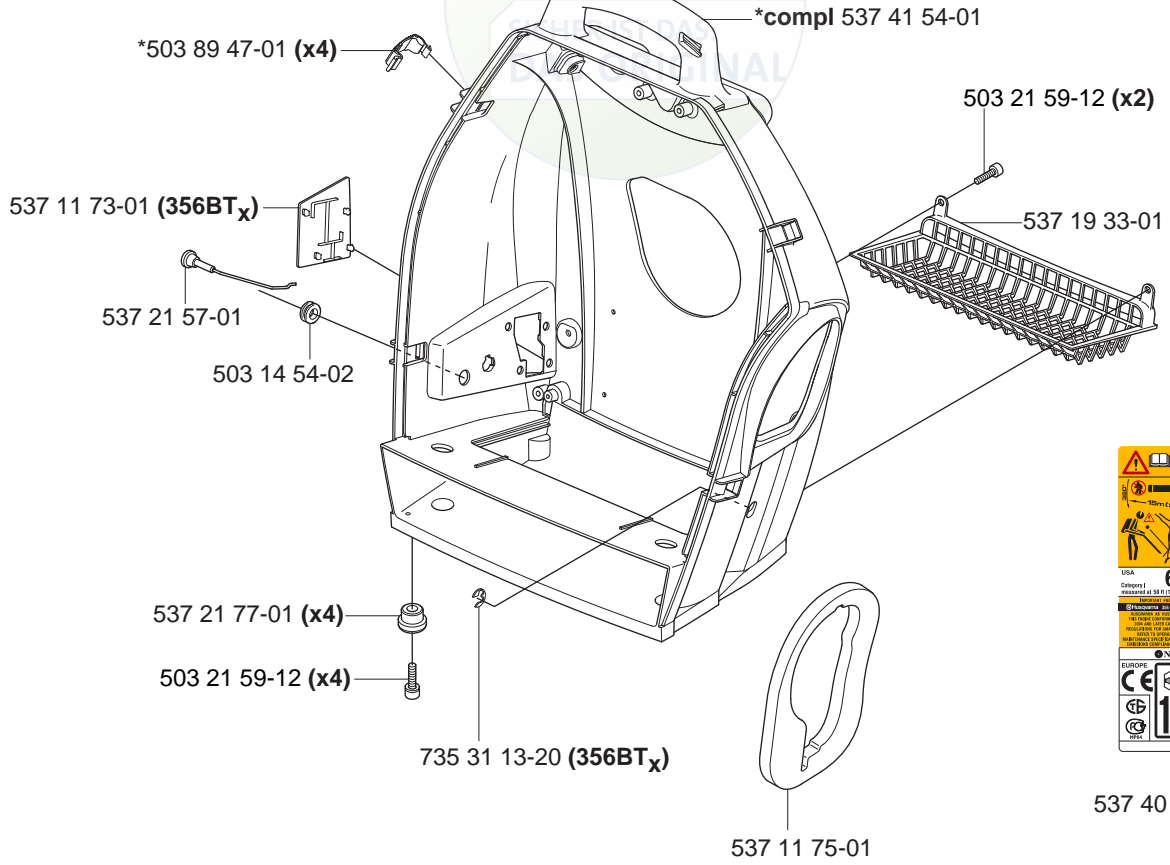
D



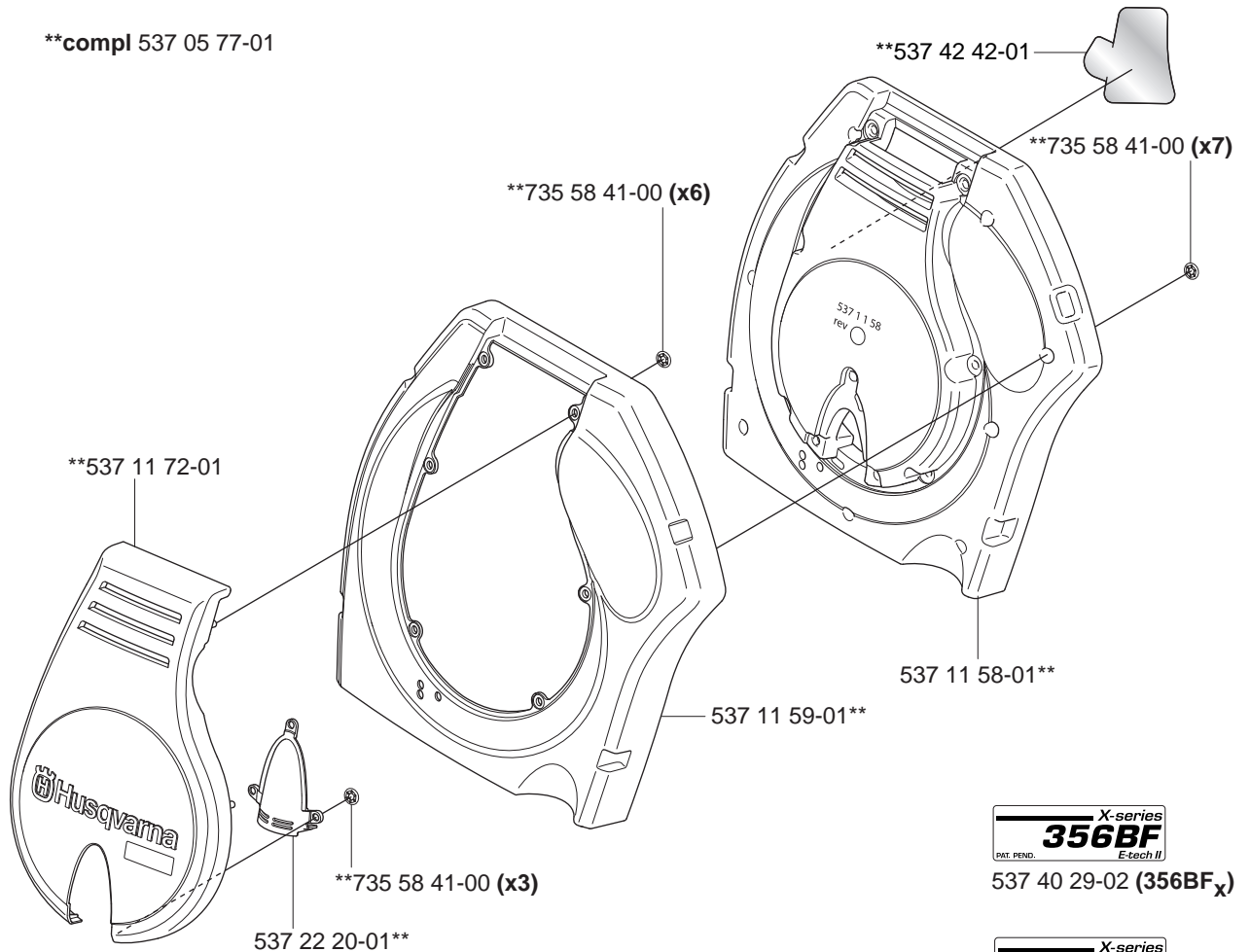
E



F



****compl 537 05 77-01**



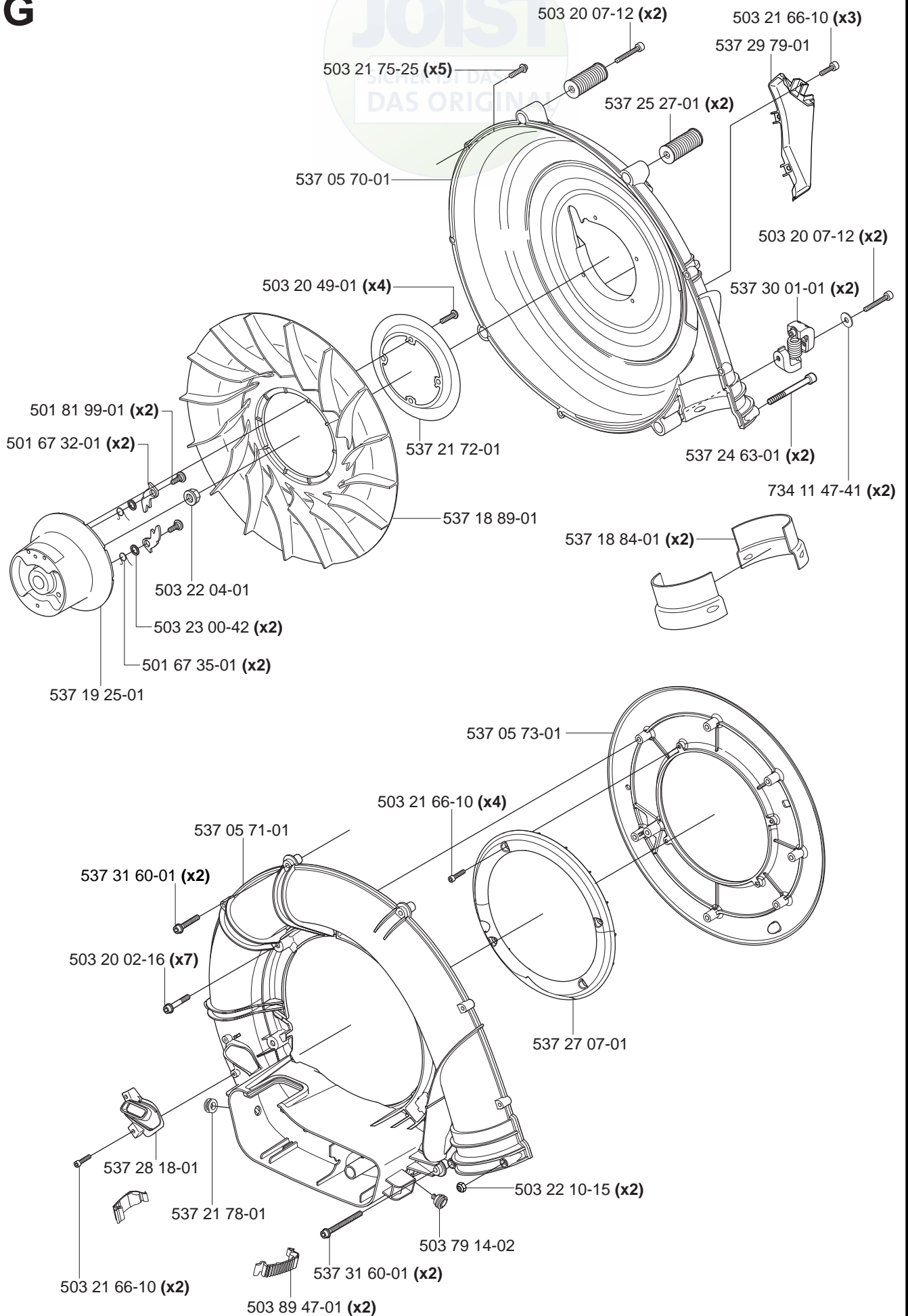
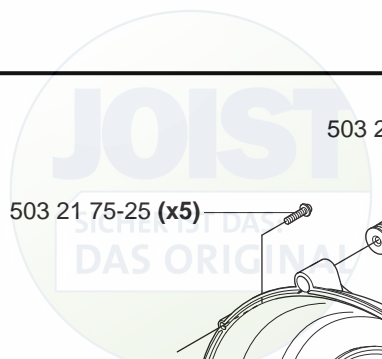
X-series
356BF
 E-tech II

537 40 29-02 (356BF_x)

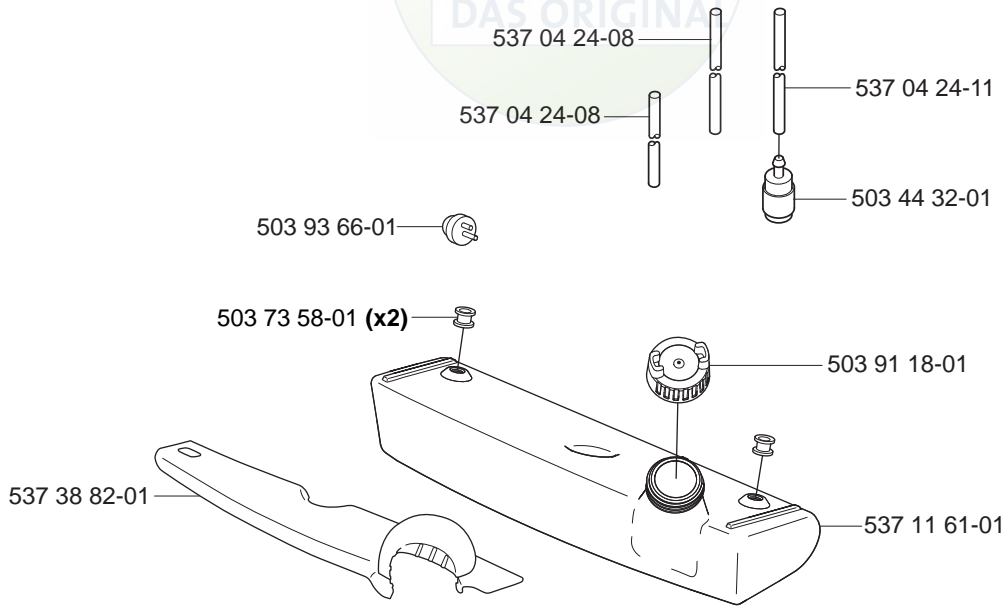
X-series
356BT
 E-tech II

537 40 29-01 (356BT_x)

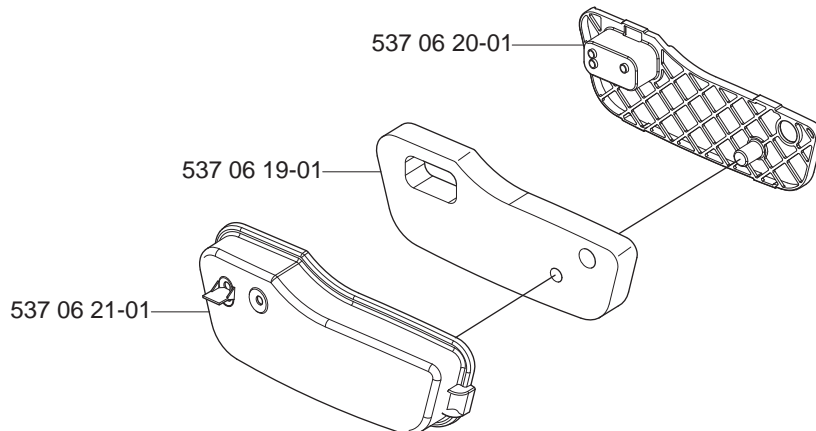
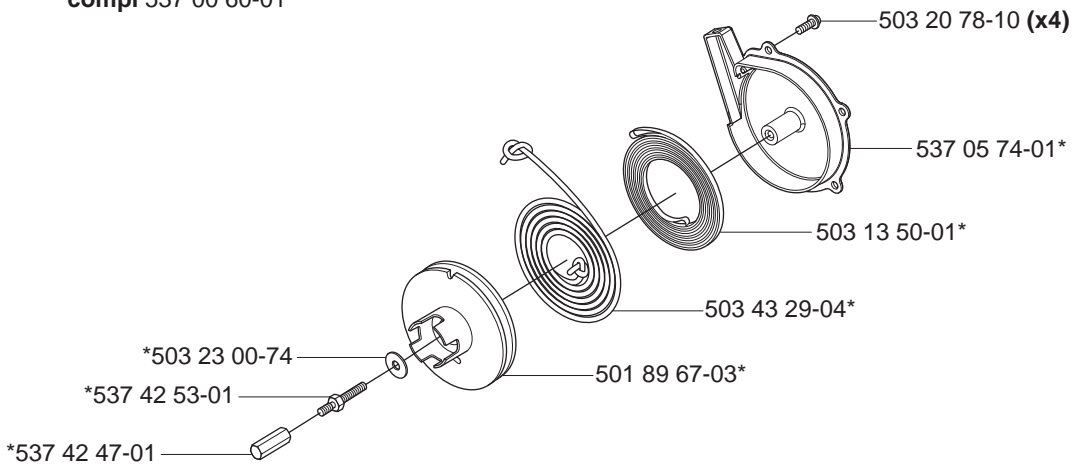
G



H

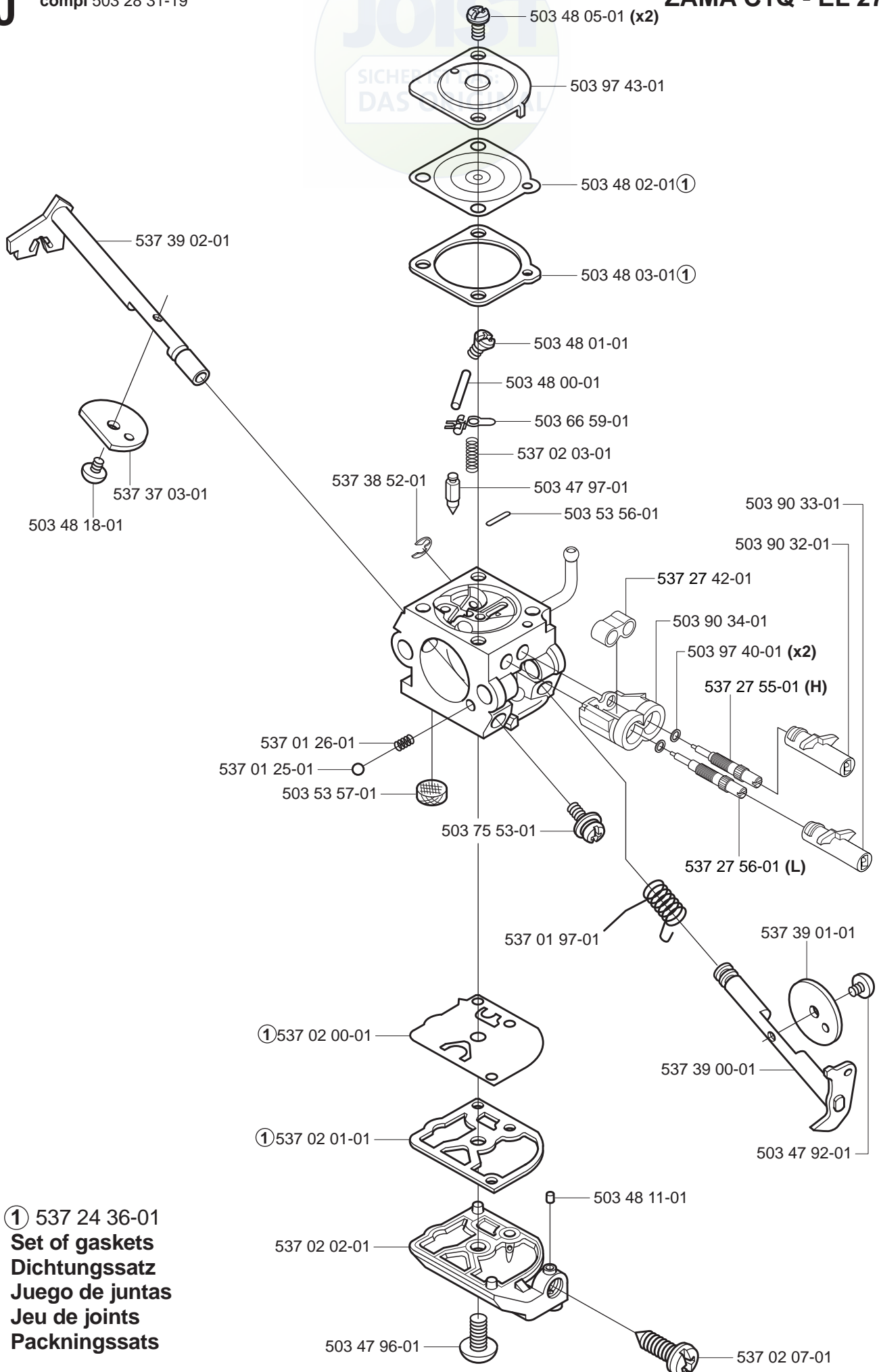


*compl 537 00 60-01



J

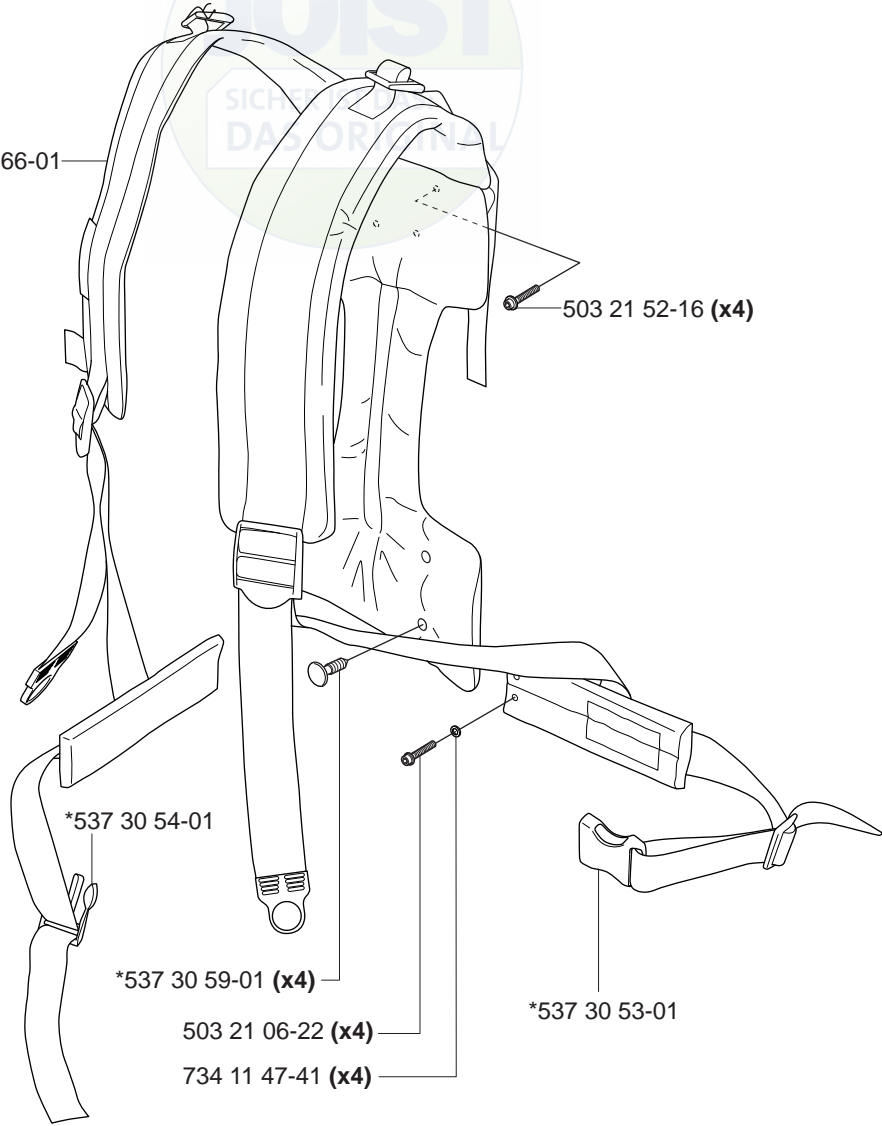
compl 503 28 31-19

ZAMA C1Q - EL 27

① 537 24 36-01
Set of gaskets
Dichtungssatz
Juego de juntas
Jeu de joints
Packningssats

K

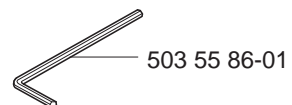
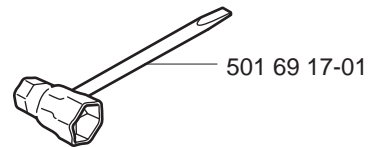
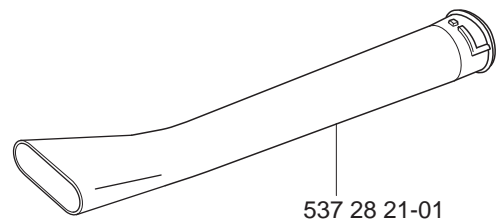
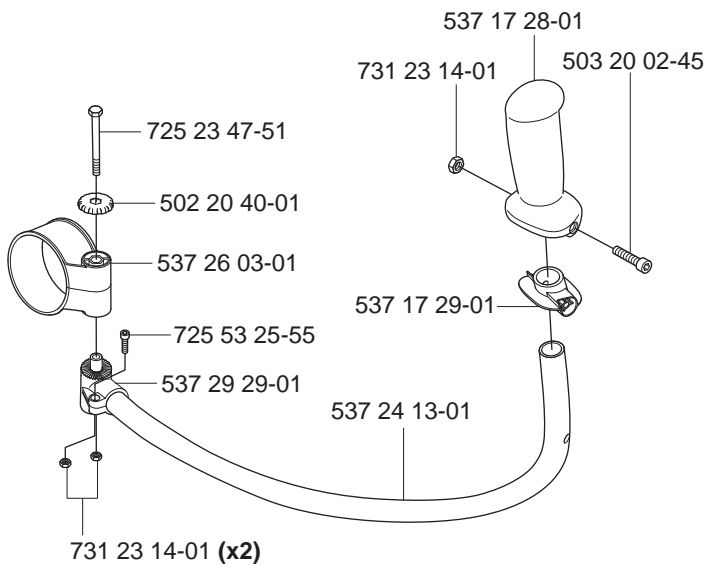
*compl 537 38 66-01



L

**Accessories
Zubehöre
Accessoires
Acessorios
Tillbehör**

compl 537 24 16-01



PART NUMBER	SQUARE	NOTE	PART NUMBER	SQUARE	NOTE	PART NUMBER	SQUARE	NOTE	PART NUMBER	SQUARE	NOTE
501 27 08-01	D		503 90 33-01	J		537 25 38-01	A	N	738 22 02-25	D	
501 48 54-02	D		503 90 34-01	J		537 25 48-01	E	N			
501 67 32-01	G		503 91 18-01	H		537 25 49-01	E	N			
501 67 35-01	G		503 93 66-01	H		537 25 92-01	E	N			
501 69 17-01	L		503 97 40-01	J		537 26 02-01	AB	N			
501 76 83-33	E	N	503 97 43-01	J		537 26 03-01	ABL	N			
501 81 99-01	EG		505 27 57-19	D		537 26 18-02	E	N			
501 89 67-03	H	N	537 00 60-01	H	N	537 27 07-01	G	N			
502 20 40-01	ABL		537 00 68-01	A	N	537 27 42-01	J				
502 28 44-01	B		537 01 25-01	J		537 27 55-01	J				
502 28 44-02	B	N	537 01 26-01	J		537 27 56-01	J				
503 13 50-01	H		537 01 97-01	J		537 27 77-01	AB	N			
503 14 54-02	F		537 02 00-01	J		537 28 18-01	G	N			
503 20 02-16	G		537 02 01-01	J		537 28 21-01	L	N			
503 20 02-35	D		537 02 02-01	J		537 28 67-01	B	N			
503 20 02-45	L		537 02 03-01	J		537 28 68-01	B	N			
503 20 02-60	E		537 02 07-01	J		537 28 69-01	B	N			
503 20 07-12	BG		537 03 89-01	C	N	537 29 29-01	L	N			
503 20 07-35	A		537 03 90-01	C	N	537 29 37-01	D	N			
503 20 07-45	B		537 04 24-08	H		537 29 66-01	D	N			
503 20 25-50	D	N	537 04 24-11	H	N	537 29 79-01	G	N			
503 20 49-01	G		537 05 70-01	G	N	537 30 01-01	G	N			
503 20 78-10	H	N	537 05 71-01	G	N	537 30 53-01	K	N			
503 21 06-22	K		537 05 73-01	G	N	537 30 54-01	K	N			
503 21 29-06	A		537 05 74-01	H	N	537 30 59-01	K	N			
503 21 52-16	K	N	537 05 77-01	F	N	537 31 25-01	E	N			
503 21 59-12	F	N	537 06 11-01	D	N	537 31 26-01	E	N			
503 21 66-10	G	N	537 06 15-01	E	N	537 31 54-01	B	N			
503 21 66-18	A		537 06 17-01	E	N	537 31 58-01	E	N			
503 21 75-16	E		537 06 18-01	E	N	537 31 58-02	E	N			
503 21 75-25	G		537 06 19-01	H	N	537 31 60-01	G	N			
503 21 75-50	E		537 06 20-01	H	N	537 37 03-01	J				
503 22 01-02	D	N	537 06 21-01	H	N	537 37 39-01	AB	N			
503 22 04-01	G		537 11 58-01	F	N	537 38 52-01	J				
503 22 10-13	A		537 11 59-01	F	N	537 38 66-01	K	N			
503 22 10-15	G	N	537 11 61-01	H	N	537 38 82-01	H	N			
503 22 65-04	AB		537 11 72-01	F	N	537 39 00-01	J	N			
503 22 69-02	B		537 11 73-01	F	N	537 39 01-01	J	N			
503 23 00-42	G		537 11 75-01	F	N	537 39 02-01	J	N			
503 23 00-74	H	N	537 14 10-01	A	N	537 40 19-01	E	N			
503 23 04-04	E	N	537 14 12-01	A	N	537 40 28-01	F	N			
503 23 51-08	E		537 14 12-02	B	N	537 40 29-01	F	N			
503 23 51-11	E		537 14 20-01	A	N	537 40 29-02	F	N			
503 24 44-01	D		537 14 25-01	A	N	537 40 53-01	C	N			
503 28 31-19	EJ	N	537 16 08-01	A		537 41 46-01	D	N			
503 28 90-10	E		537 17 28-01	BL		537 41 47-01	D	N			
503 28 91-09	E	N	537 17 29-01	BL		537 41 49-01	D	N			
503 43 29-04	H	N	537 17 42-01	A		537 41 50-01	E	N			
503 44 32-01	H		537 17 52-01	E	N	537 41 54-01	F	N			
503 47 92-01	J		537 18 84-01	G	N	537 41 56-01	C	N			
503 47 96-01	J		537 18 89-01	G	N	537 41 58-01	C	N			
503 47 97-01	J		537 19 25-01	G	N	537 41 59-01	C	N			
503 48 00-01	J		537 19 33-01	F	N	537 42 26-01	E	N			
503 48 01-01	J		537 21 57-01	F	N	537 42 27-01	C	N			
503 48 02-01	J		537 21 64-01	A	N	537 42 42-01	F	N			
503 48 03-01	J		537 21 72-01	G	N	537 42 47-01	H	N			
503 48 05-01	J		537 21 76-01	E	N	537 42 53-01	H	N			
503 48 11-01	J		537 21 77-01	F	N	544 01 98-01	D	N			
503 48 18-01	J		537 21 78-01	G	N	720 12 36-20	A				
503 53 56-01	J		537 22 20-01	F	N	725 23 44-51	AB	N			
503 53 57-01	J		537 22 57-01	E	N	725 23 47-51	L				
503 54 39-01	H		537 22 62-01	A	N	725 53 25-55	L				
503 55 86-01	L		537 22 63-01	A	N	725 53 33-55	E				
503 66 59-01	J		537 23 12-01	B	N	725 53 83-56	E				
503 73 39-01	DE		537 24 13-01	L	N	731 23 14-01	BL				
503 73 58-01	H		537 24 16-01	L	N	734 11 47-41	ABGK				
503 75 53-01	J		537 24 36-01	J		735 31 13-20	F				
503 79 14-02	G	N	537 24 63-01	G	N	735 58 35-01	AB				
503 89 47-01	FG		537 25 03-01	E	N	735 58 41-00	F				
503 90 32-01	J		537 25 27-01	G	N	737 43 12-00	E				

N = New part, Neues teil,
Nouvelle piece, Nueva pieza
Ny detalj