



For Husqvarna Parts Call 606-678-9623 or 606-561-4983

 **Husqvarna**

SERVICE			4
			I0200142

SICHER IST DAS:
DAS ORIGINAL

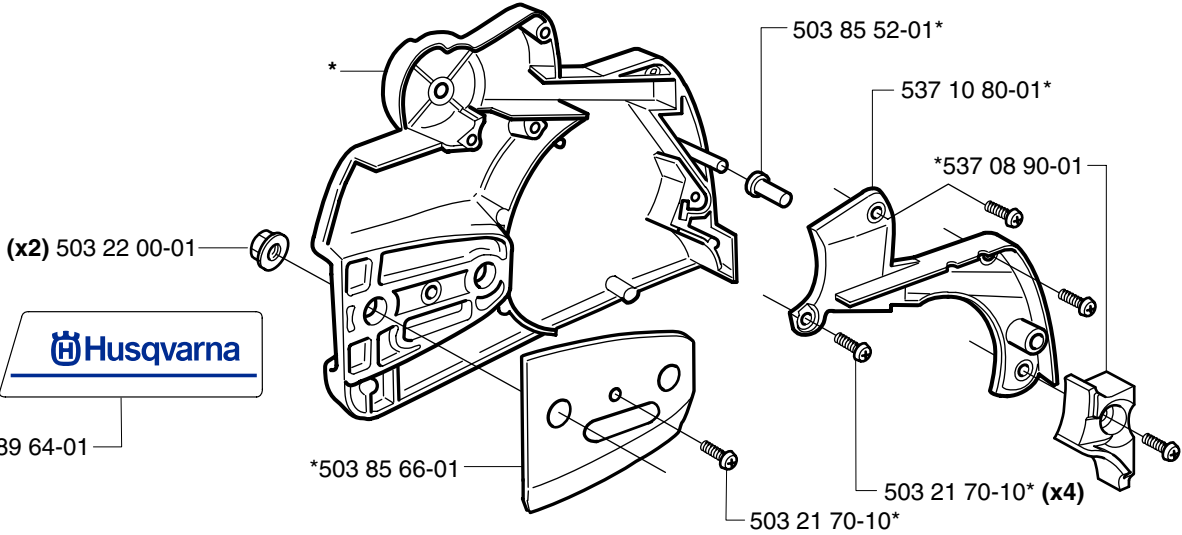
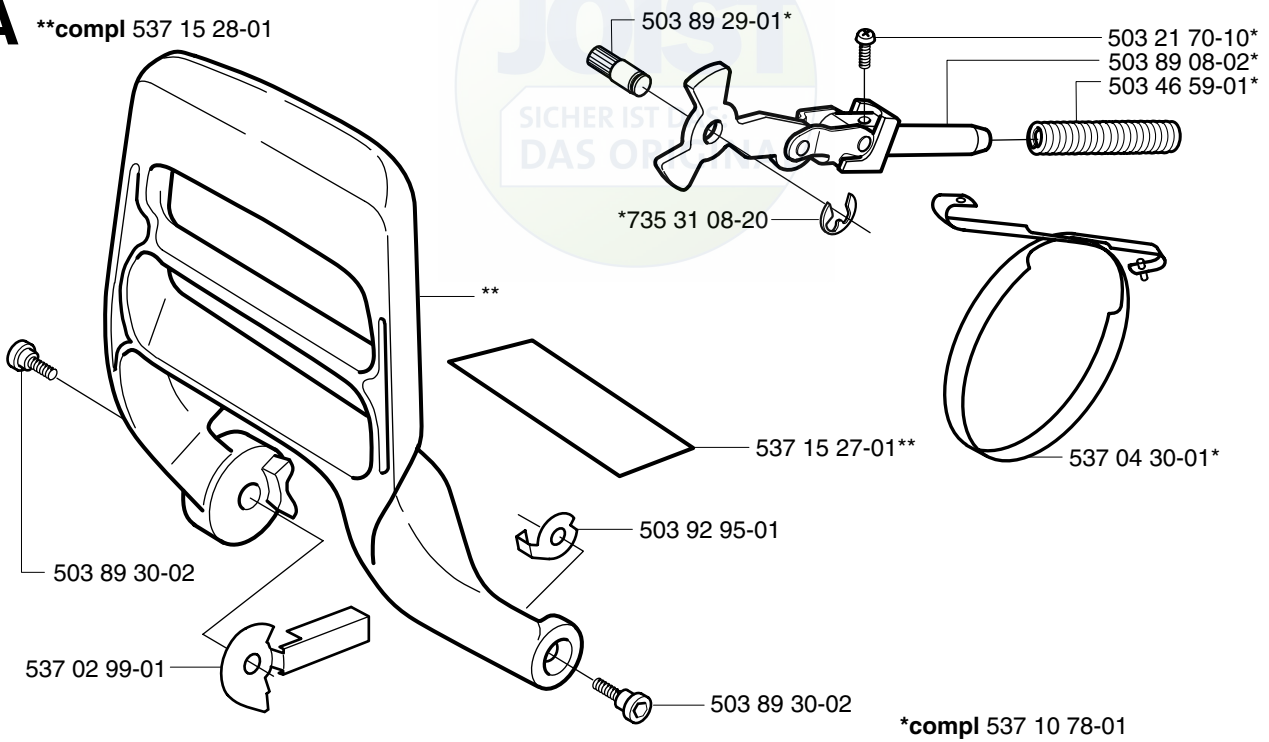
IPL, 353, 353 EPA I, 2002-09, 106 39 88-61

353, 353 EPA I

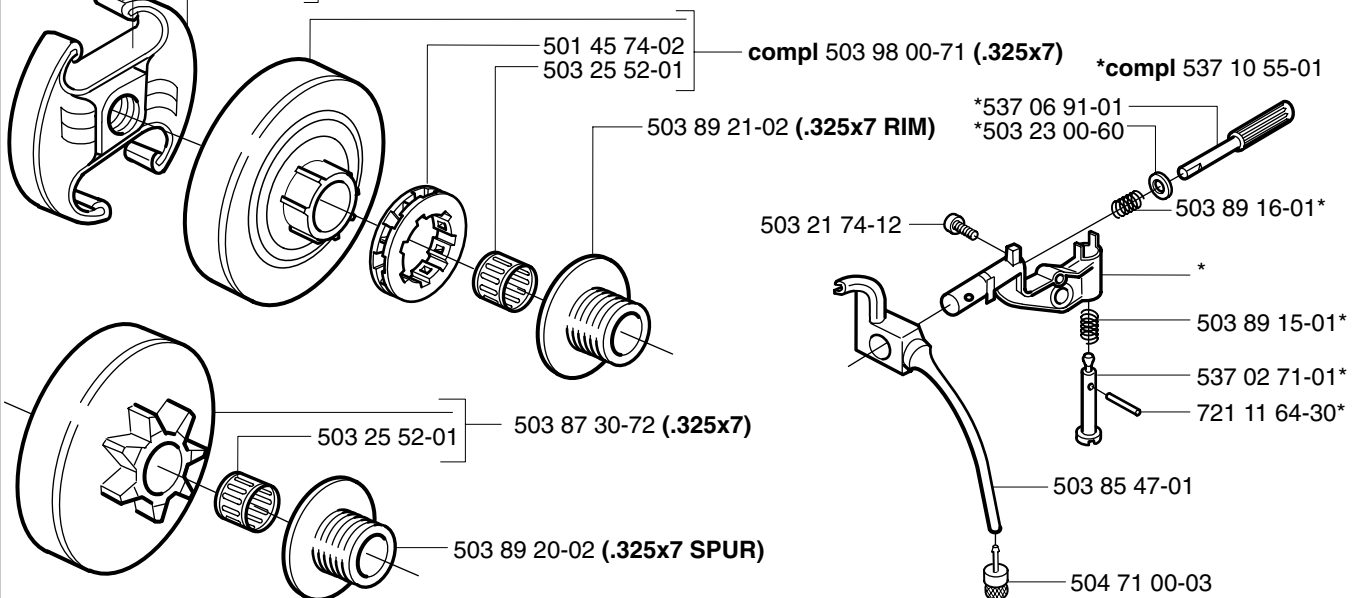
Spare parts
Ersatzteile
Pièces détachées
Reserve onderdelen
Repuestos
Reservdelar

106 39 88-61

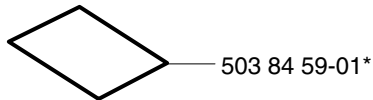
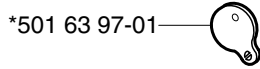
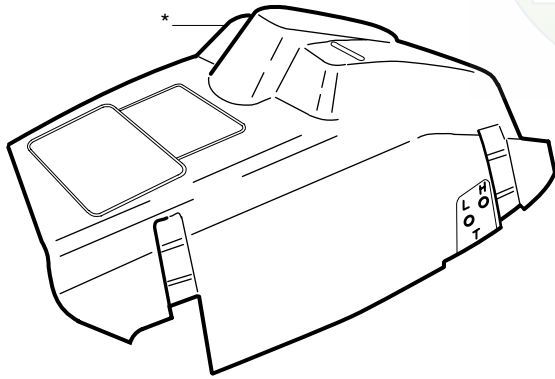
A **compl 537 15 28-01



B 537 08 00-01 compl 537 11 05-01



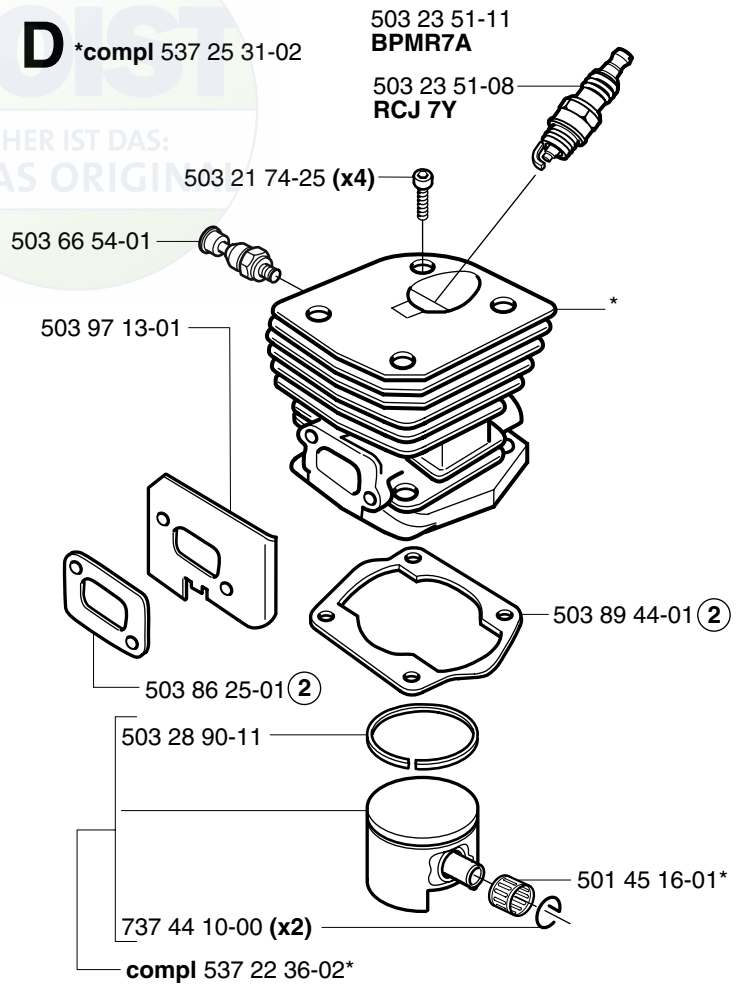
C *compl 503 90 90-02



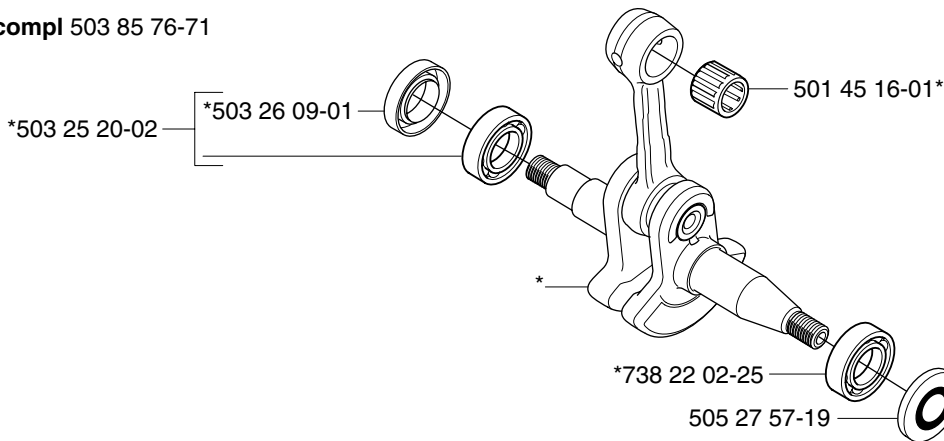
*503 98 74-01



D *compl 537 25 31-02

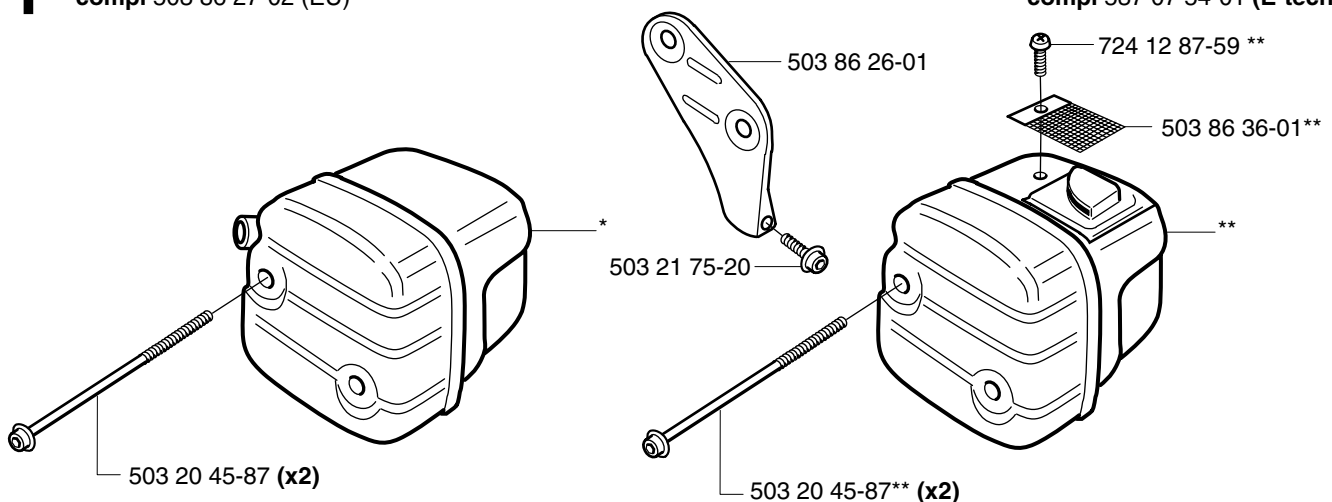


E *compl 503 85 76-71

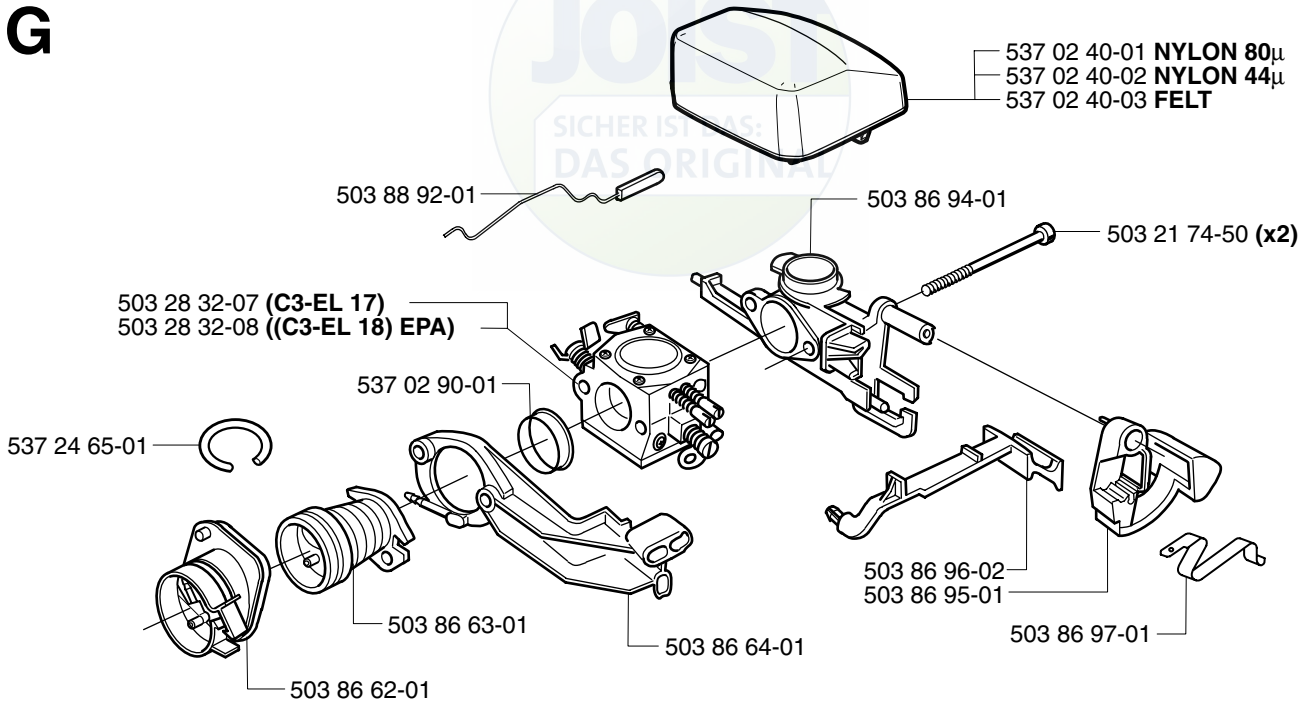


F *compl 503 86 27-02 (EU)

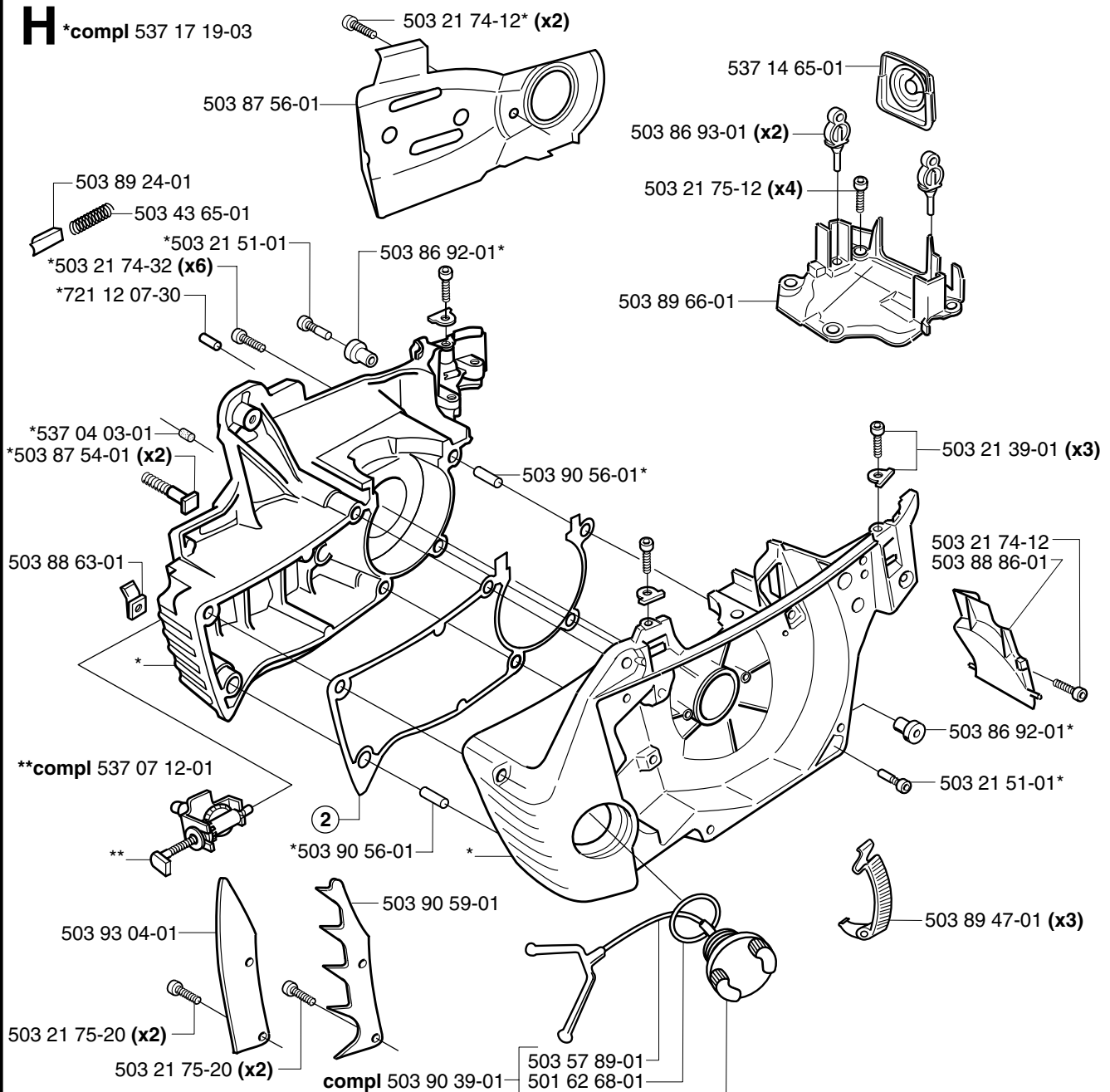
**compl 503 86 28-02 (DF)
**compl 537 07 54-01 (E-tech)



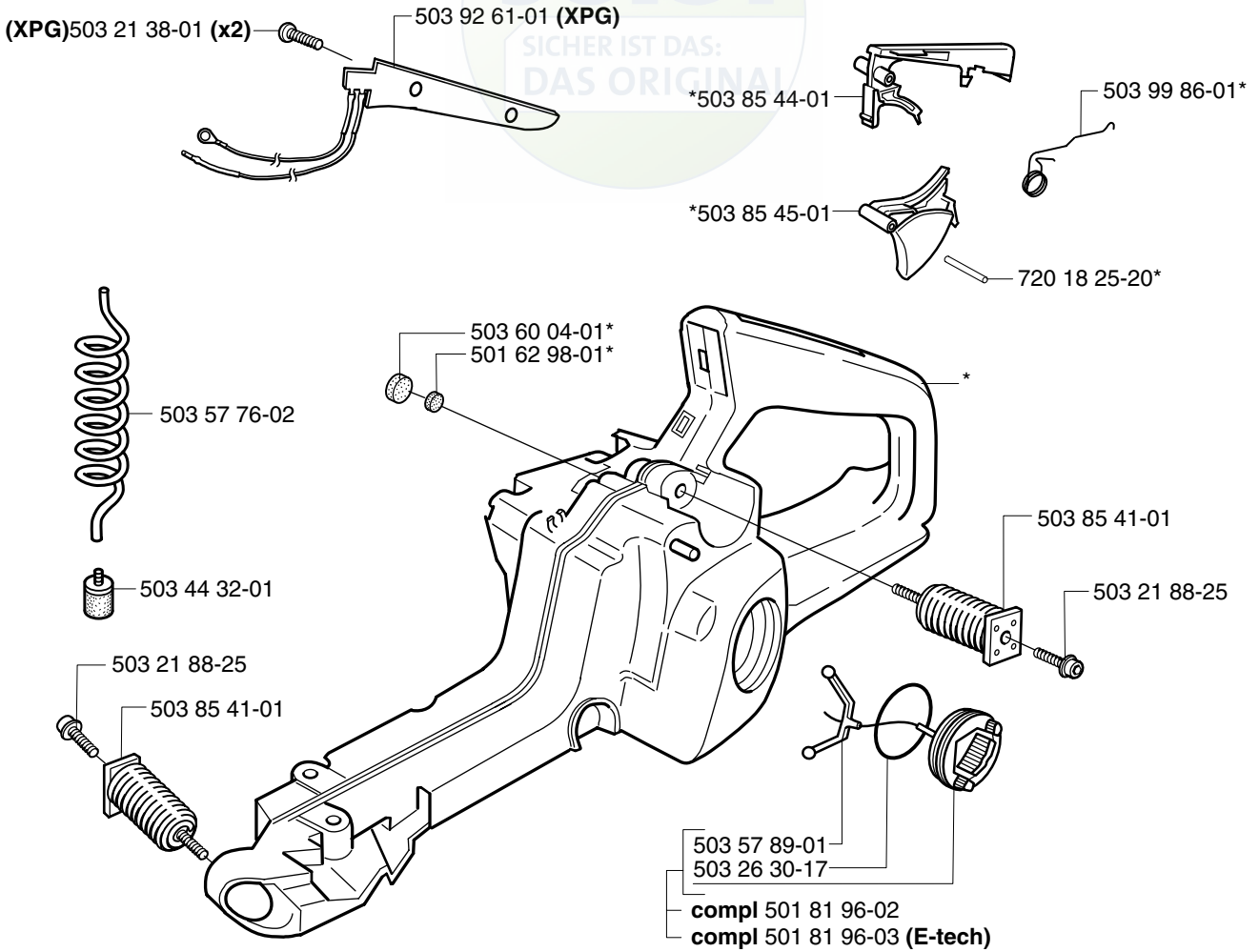
G



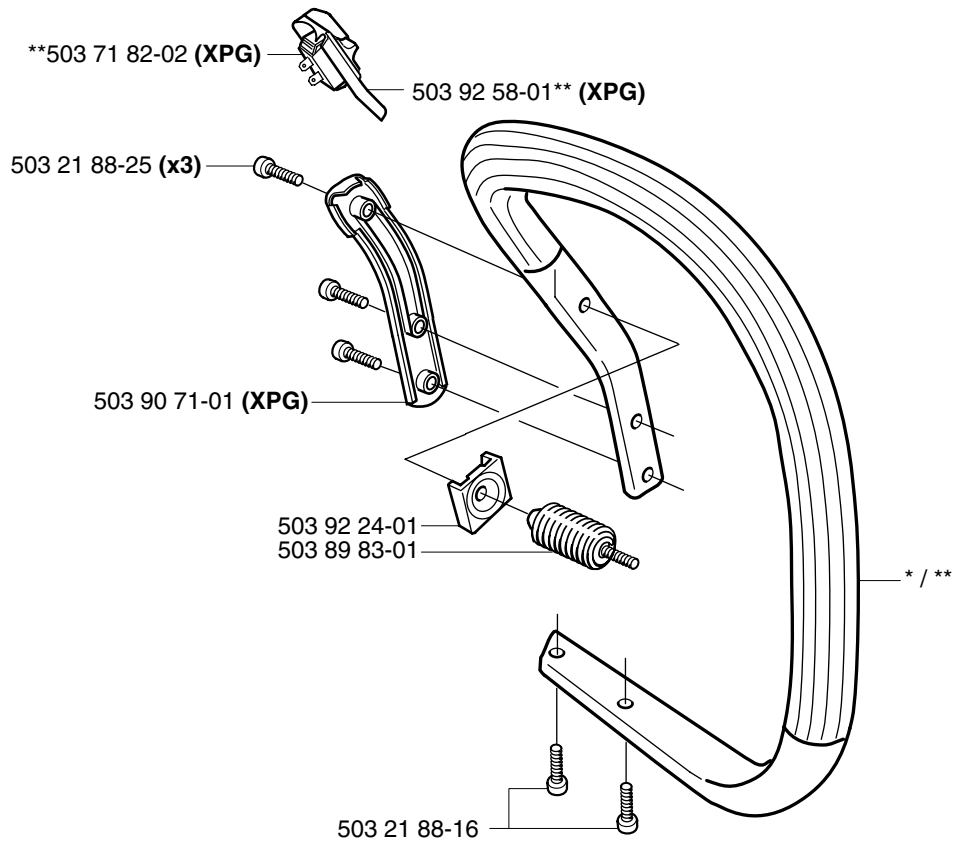
H *compl 537 17 19-03



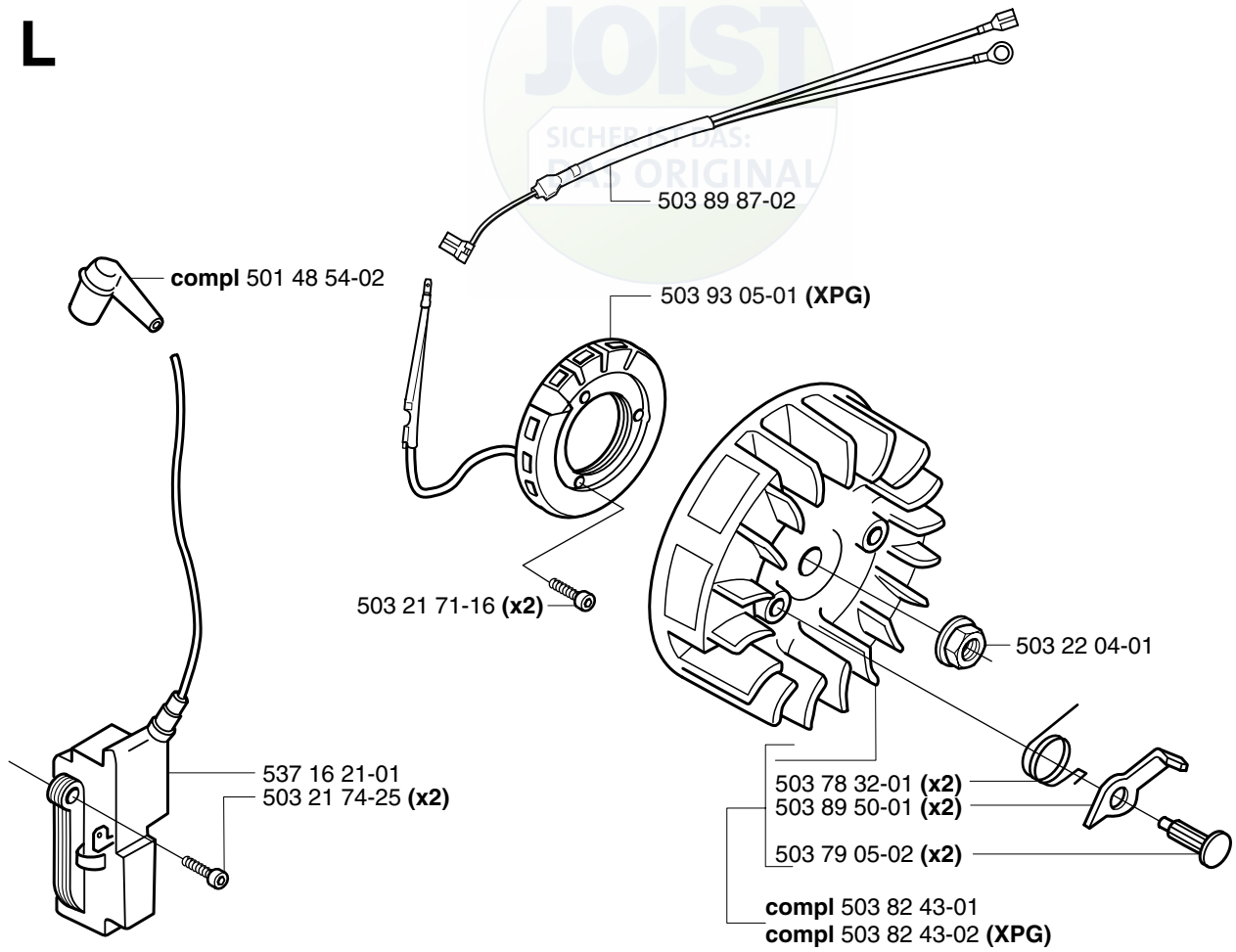
J *compl 503 86 37-71



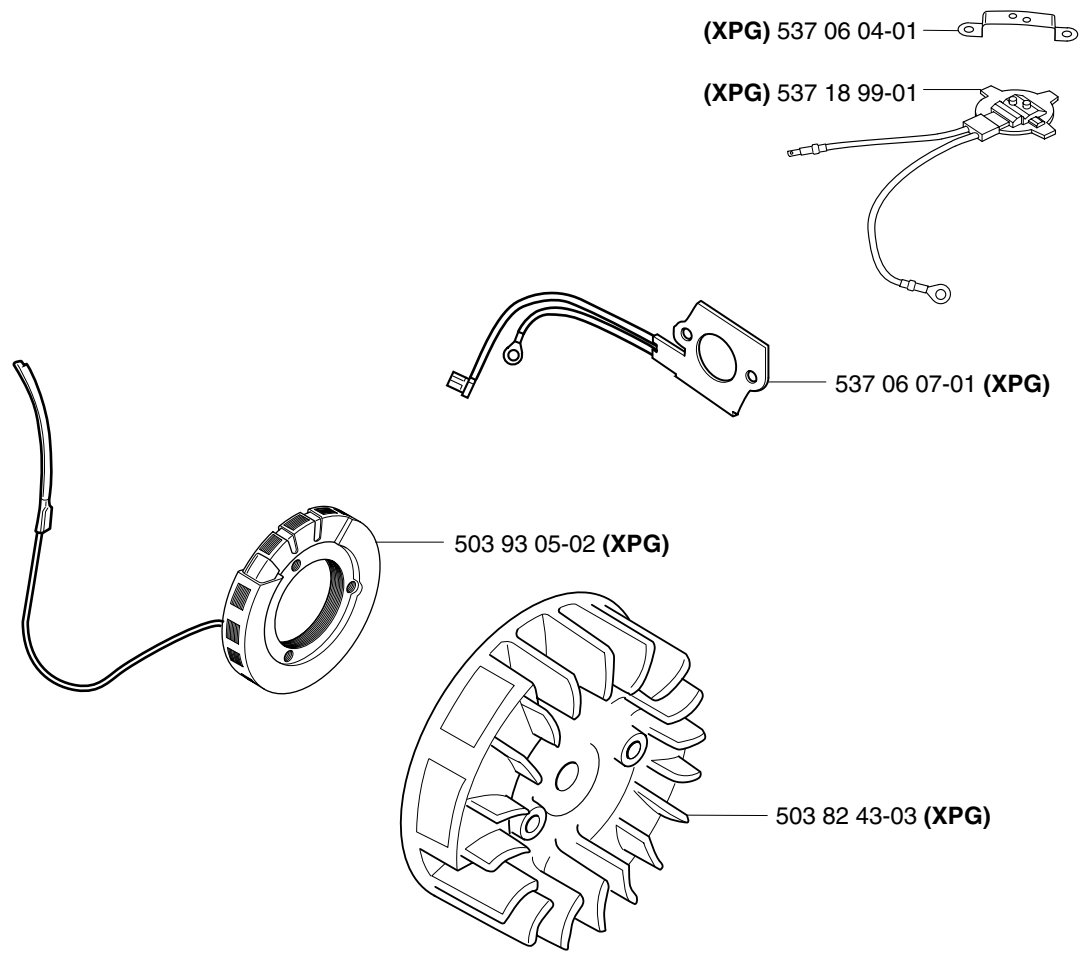
K *compl 503 90 93-01 **compl 503 90 93-02 (XPG)



L

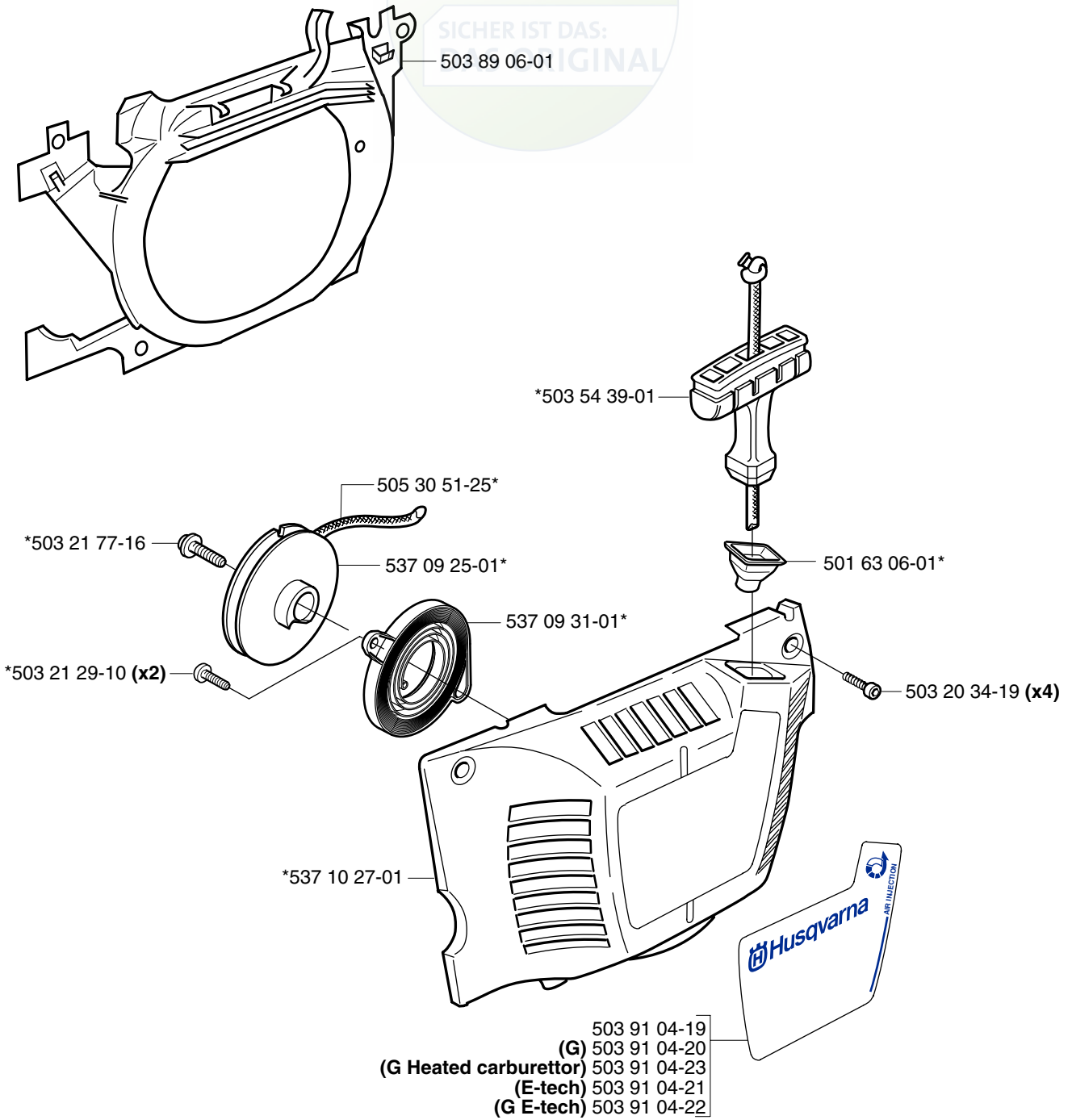
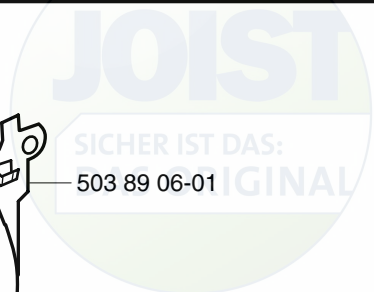


Heated carburettor



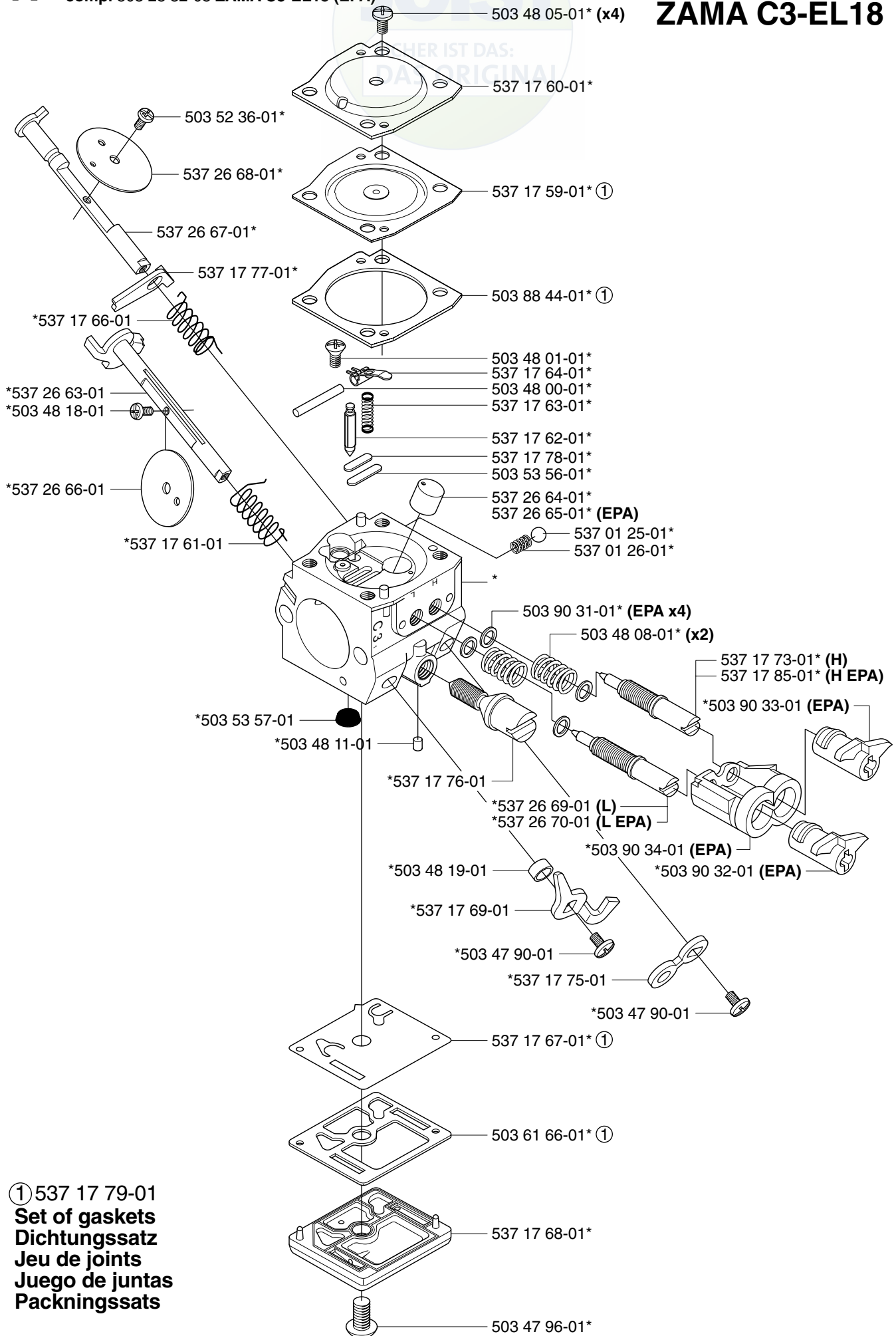
M

*compl 537 10 47-01



N *compl 503 28 32-07 ZAMA C3-EL17
 *compl 503 28 32-08 ZAMA C3-EL18 (EPA)

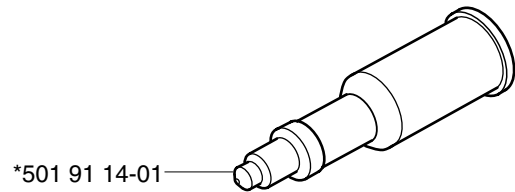
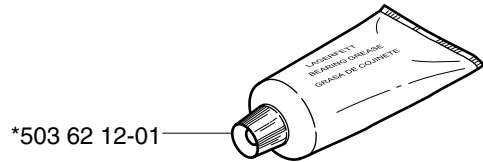
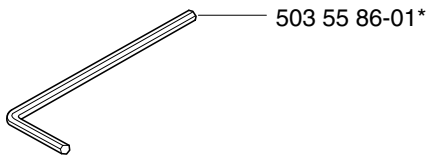
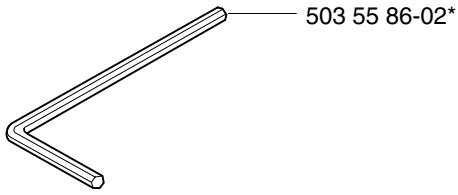
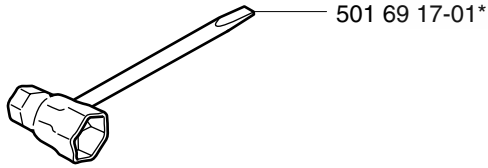
ZAMA C3-EL17
ZAMA C3-EL18



① 537 17 79-01
Set of gaskets
Dichtungssatz
Jeu de joints
Juego de juntas
Packningssats

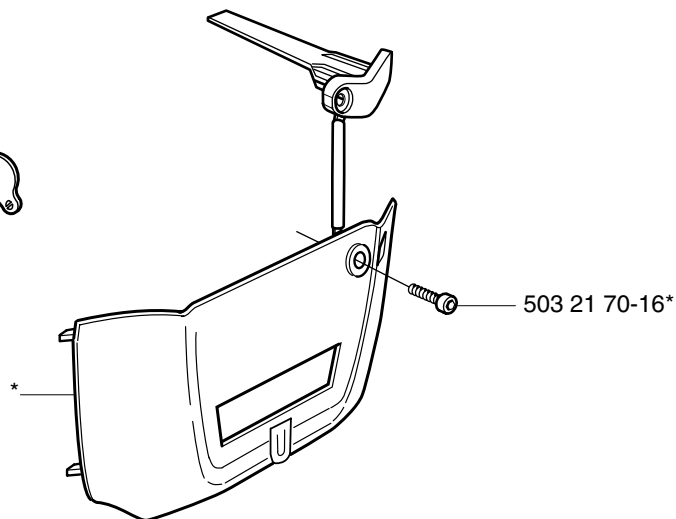
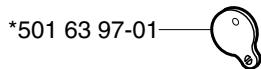
P Tillbehör
Accessories
Zubehöre
Accessoires
Accesorios

*compl 503 55 85-01



WINTER KIT

*compl 537 04 28-71



For Husqvarna Parts Call 606-678-9623 or 606-561-4983

353, 353 EPA I

PART NUMBER	SQUARE NOTE	PART NUMBER	SQUARE NOTE	PART NUMBER	SQUARE NOTE	PART NUMBER	SQUARE NOTE
501 45 16-01	D,E	503 82 43-03	L	503 94 28-02	2=Compl	721 12 07-30	H
501 45 74-02	B	503 84 59-01	C	503 97 13-01	D	724 12 87-59	F
501 48 54-02	L	503 85 41-01	J	503 98 00-71	B	735 31 08-20	A
501 62 68-01	H	503 85 44-01	J	503 98 74-01	C	737 44 10-00	D
501 62 98-01	J	503 85 45-01	J	503 99 86-01	J	738 22 02-25	E
501 63 06-01	M	503 85 47-01	B	504 71 00-03	B		
501 63 97-01	C,P	503 85 52-01	A	505 27 57-19	E		
501 69 17-01	P	503 85 66-01	A	505 30 51-25	M		
501 81 96-02	J	503 85 76-71	E	537 01 25-01	N		
501 81 96-03	J	503 86 25-01	D	537 01 26-01	N		
			2				
501 91 14-01	P	503 86 26-01	F	537 02 40-01	G		
503 20 34-19	M	503 86 27-02	F	537 02 40-02	G		
503 20 45-87	F	503 86 28-02	F	537 02 40-03	G		
503 21 29-10	M	503 86 36-01	F	537 02 71-01	B		
503 21 38-01	J	503 86 37-71	J	537 02 90-01	G		
503 21 39-01	H	503 86 62-01	G	537 02 99-01	A		
503 21 51-01	H	503 86 63-01	G	537 04 03-01	H		
503 21 70-10	A	503 86 64-01	G	537 04 28-71	P		
503 21 70-16	P,L	503 86 92-01	H	537 04 30-01	A		
503 21 74-12	B,H	503 86 93-01	H	537 06 04-01	L		
503 21 74-25	D,L	503 86 94-01	G	537 06 07-01	L		
503 21 74-32	H	503 86 95-02	G	537 06 91-01	B		
503 21 74-50	G	503 86 96-01	G	537 07 12-01	H		
503 21 75-12	H	503 86 97-01	G	537 07 54-01	F		
503 21 75-20	F,H	503 87 30-72	B	537 08 00-01	B		
503 21 77-16	M	503 87 54-01	H	537 08 90-01	A		
503 21 88-16	K	503 87 56-01	H	537 09 25-01	M		
503 21 88-25	J,K	503 88 44-01	N	537 09 31-01	M		
503 22 00-01	A	503 88 63-01	H	537 10 27-01	M		
503 22 04-01	L	503 88 86-01	H	537 10 47-01	M		
			1				
503 23 00-60	B	503 88 92-01	G	537 10 55-01	B		
503 23 51-08	D	503 89 06-01	M	537 10 78-01	A		
503 23 51-11	D	503 89 08-02	A	537 10 80-01	A		
503 25 20-02	E	503 89 15-01	B	537 11 05-01	B		
503 25 52-01	B	503 89 16-01	B	537 14 65-01	H		
503 26 09-01	E	503 89 20-02	B	537 15 27-01	A		
503 26 30-17	J	503 89 21-02	B	537 15 28-01	A		
503 28 32-07	G,N	503 89 24-01	H	537 16 21-01	L		
503 28 32-08	G,N	503 89 29-01	A	537 17 19-03	H		
503 28 90-11	D	503 89 30-02	A	537 17 59-01	N	1	
503 43 65-01	H	503 89 44-01	D	537 17 60-01	N		
503 44 32-01	J	503 89 47-01	H	537 17 61-01	N		
503 46 59-01	A	503 89 50-01	L	537 17 62-01	N		
503 47 90-01	N	503 89 64-01	A	537 17 63-01	N		
503 47 96-01	N	503 89 66-01	H	537 17 64-01	N		
503 48 00-01	N	503 89 83-01	K	537 17 66-01	N		
503 48 01-01	N	503 89 87-02	L	537 17 67-01	N		
503 48 05-01	N	503 90 31-01	N	537 17 68-01	N	1	
503 48 08-01	N	503 90 32-01	N	537 17 69-01	N		
503 48 11-01	N	503 90 33-01	N	537 17 73-01	N		
			EPA				
			EPA				
			EPA				
503 48 18-01	N	503 90 34-01	N	537 17 75-01	N		
503 48 19-01	N	503 90 39-01	H	537 17 76-01	N		
503 52 36-01	N	503 90 56-01	H	537 17 77-01	N		
503 53 56-01	N	503 90 59-01	H	537 17 78-01	N		
503 53 57-01	N	503 90 71-01	K	537 17 79-01	N	1=Compl	
503 54 39-01	M	503 90 90-02	C	537 17 85-01	N	EPA	
503 55 85-01	P	503 90 93-01	K	537 18 99-01	L		
503 55 86-01	P	503 90 93-02	K	537 22 36-02	D		
503 55 86-02	P	503 91 04-19	M	537 24 65-01	G		
503 57 76-02	J	503 91 04-20	M	537 25 31-02	D		
503 57 89-01	H,J	503 91 04-21	M	537 26 63-01	N		
503 60 04-01	J	503 91 04-22	M	537 26 64-01	N		
503 61 66-01	N	503 91 04-23	M	537 26 65-01	N	EPA	
503 62 12-01	P	503 92 24-01	K	537 26 66-01	N		
503 66 54-01	D	503 92 58-01	K	537 26 67-01	N		
503 71 82-02	K	503 92 61-01	J	537 26 68-01	N		
503 78 32-01	L	503 92 95-01	A	537 26 69-01	N		
503 79 05-02	L	503 93 04-01	H	537 26 70-01	N	EPA	
503 82 43-01	L	503 93 05-01	L	720 18 25-20	J		
503 82 43-02	L	503 93 05-02	L	721 11 64-30	B		

1 = 537 17 79-01
2 = 503 94 28-02

Set of gaskets, Dichtungssatz,
Jeu de joints, Juego de juntas,
Packningsatts

N = New part, Neues teil,
Nouvelle piece, Nueva pieza
Ny detalj

EPA = Environmental Protection Agency
(for USA only)