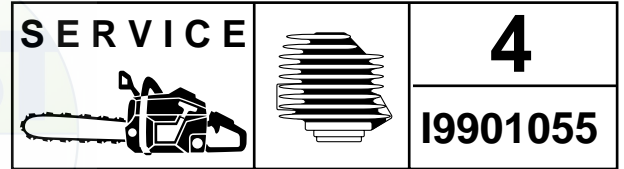


For Husqvarna Parts Call 606-678-9623 or 606-561-4983

 **Husqvarna**



IPL, 351, 351 EPA, 1999-09, 106 25 00-62

# 351, 351 EPA

**Spare parts**

Replaces

**Ersatzteile**

Ersetzt

**Pièces détachées**

Remplace

**Reserve onderdelen**

Vervangt

**Repuestos**

Reemplaza

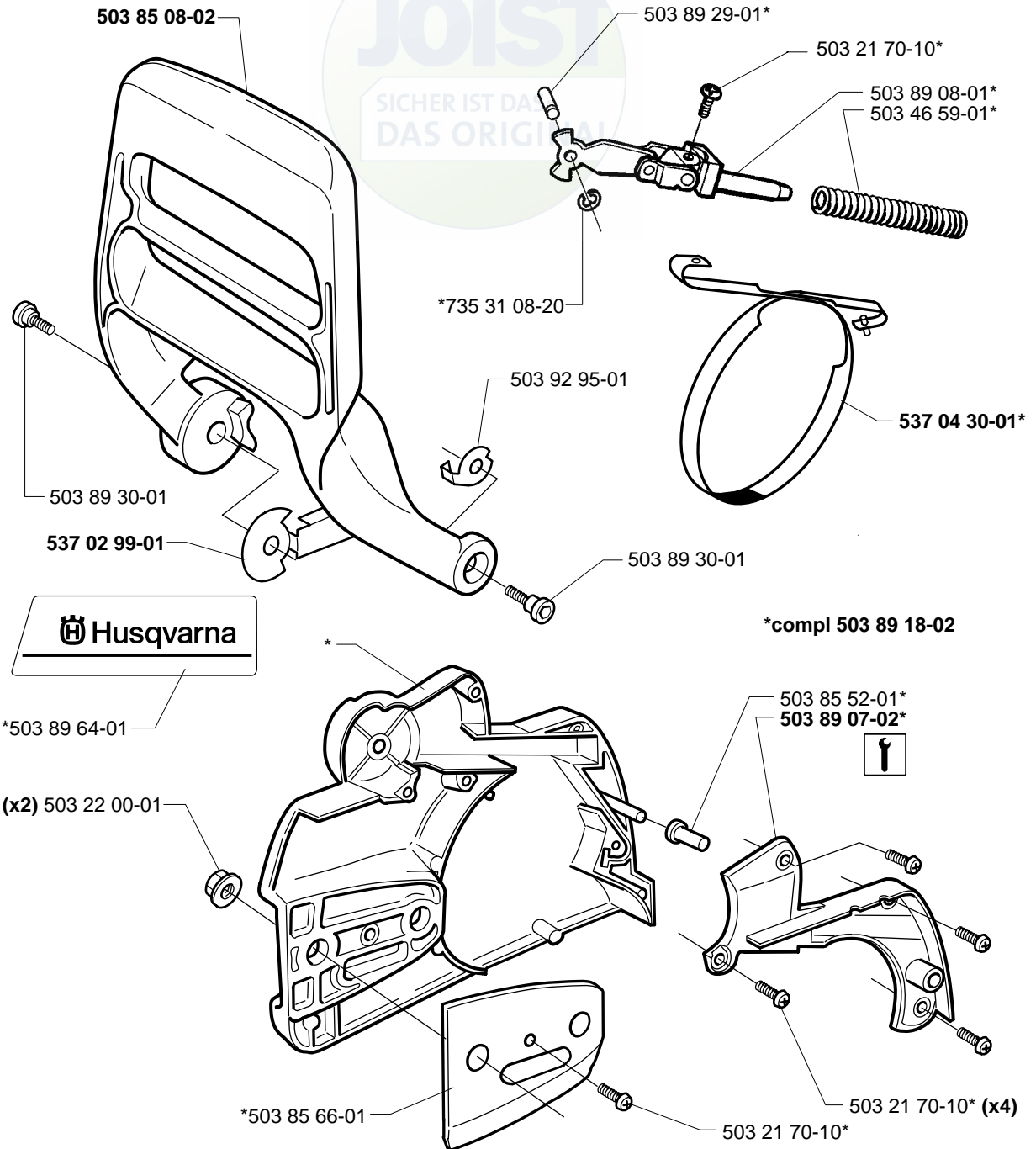
**Reservdelar**

Ersätter

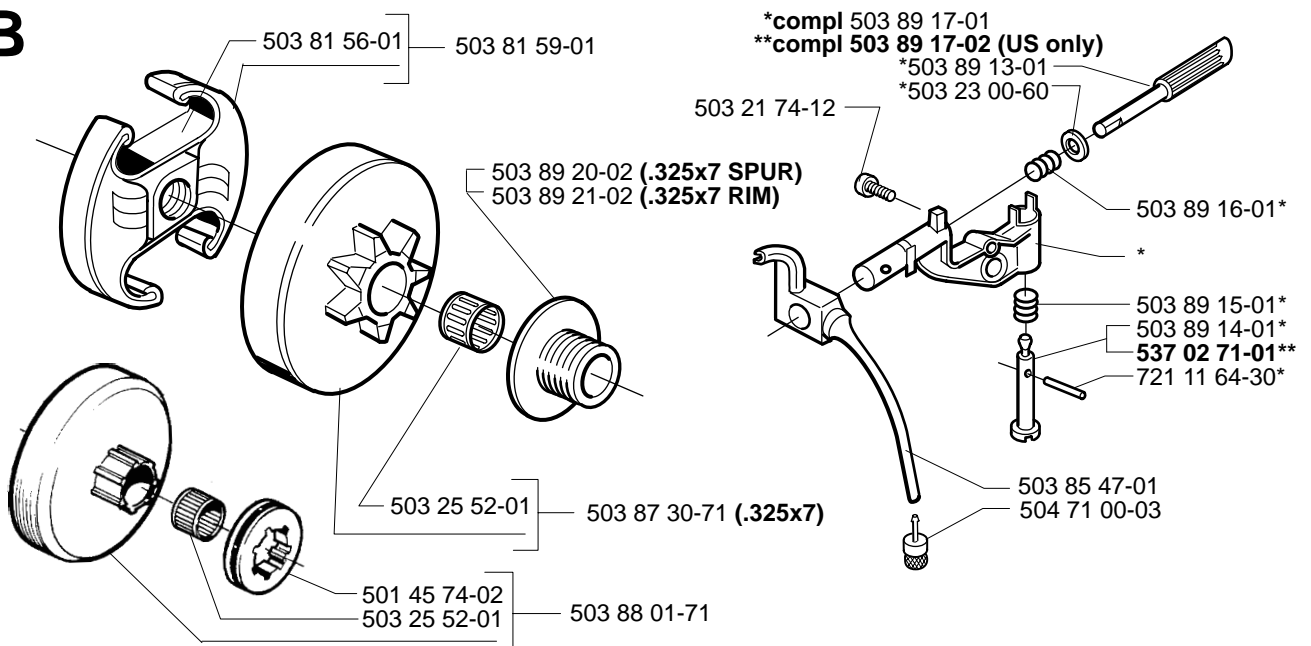
106 25 00-61

106 25 00-62

**A**

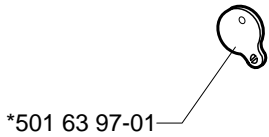
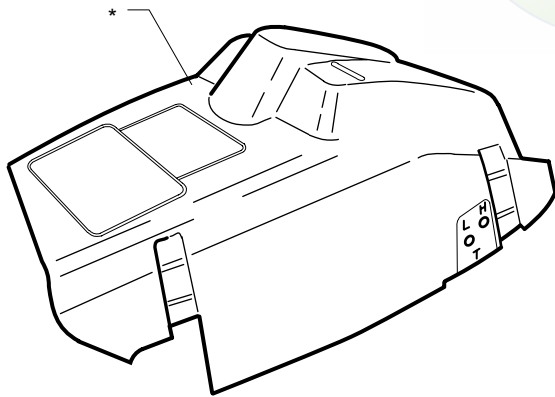


**B**



**C**

\*compl 503 90 90-01



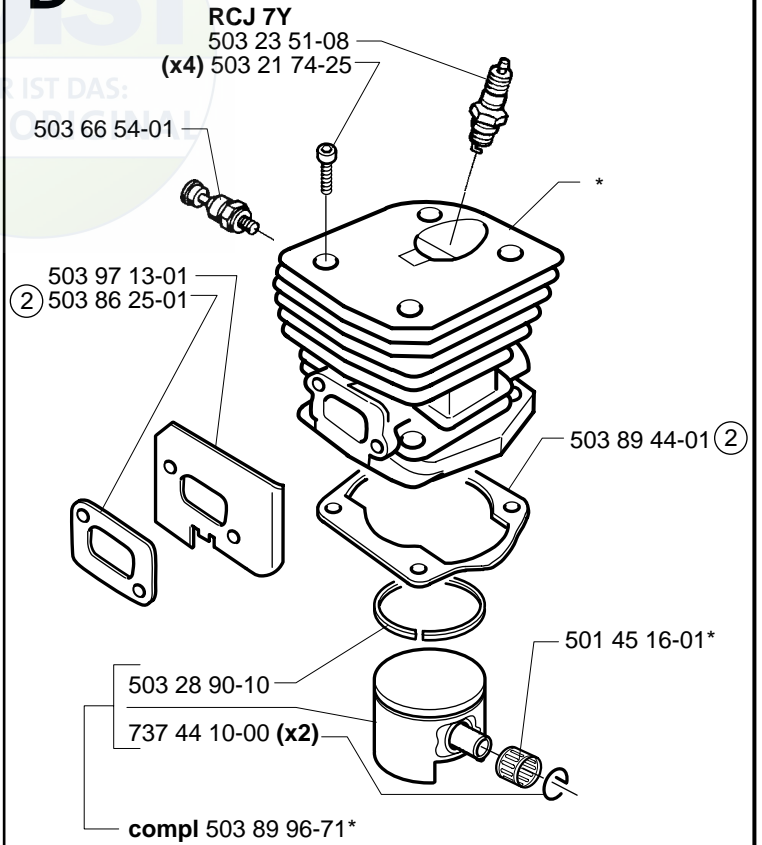
\*501 63 97-01



\*503 98 74-01

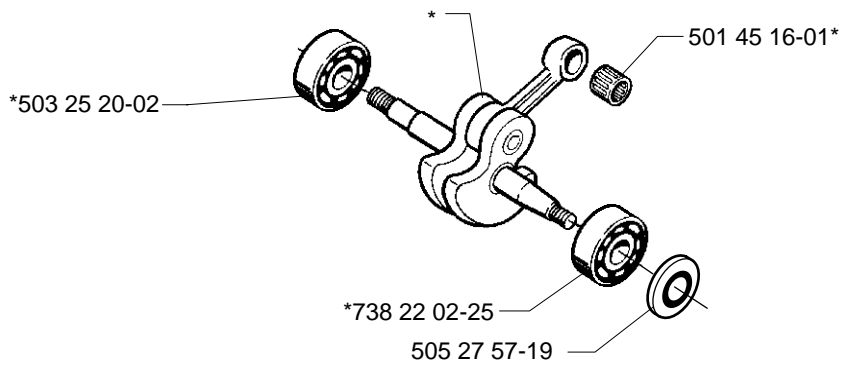
**D**

\*compl 503 86 99-71



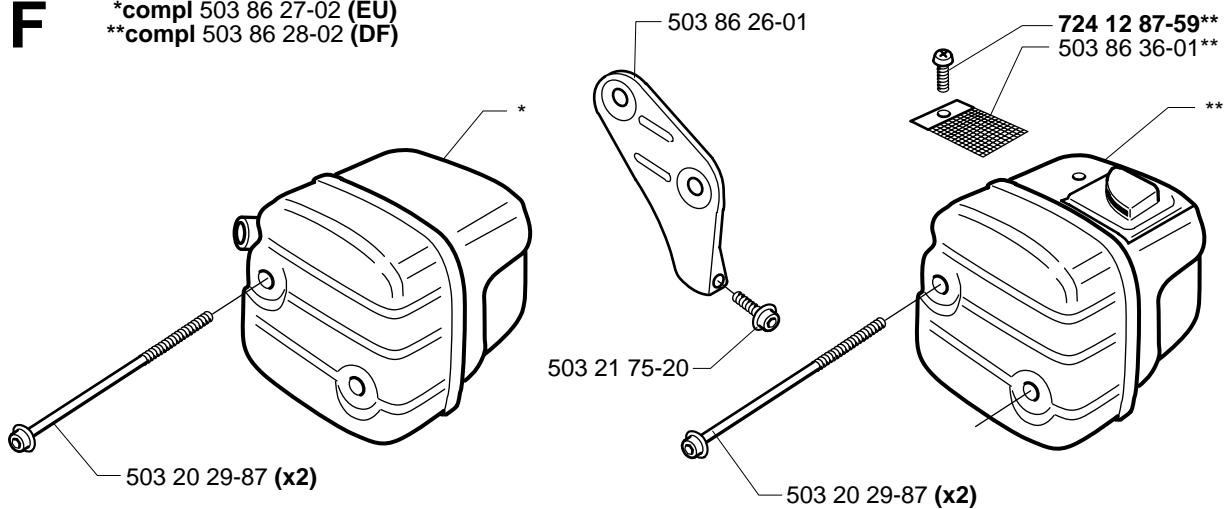
**E**

\*compl 503 85 76-71

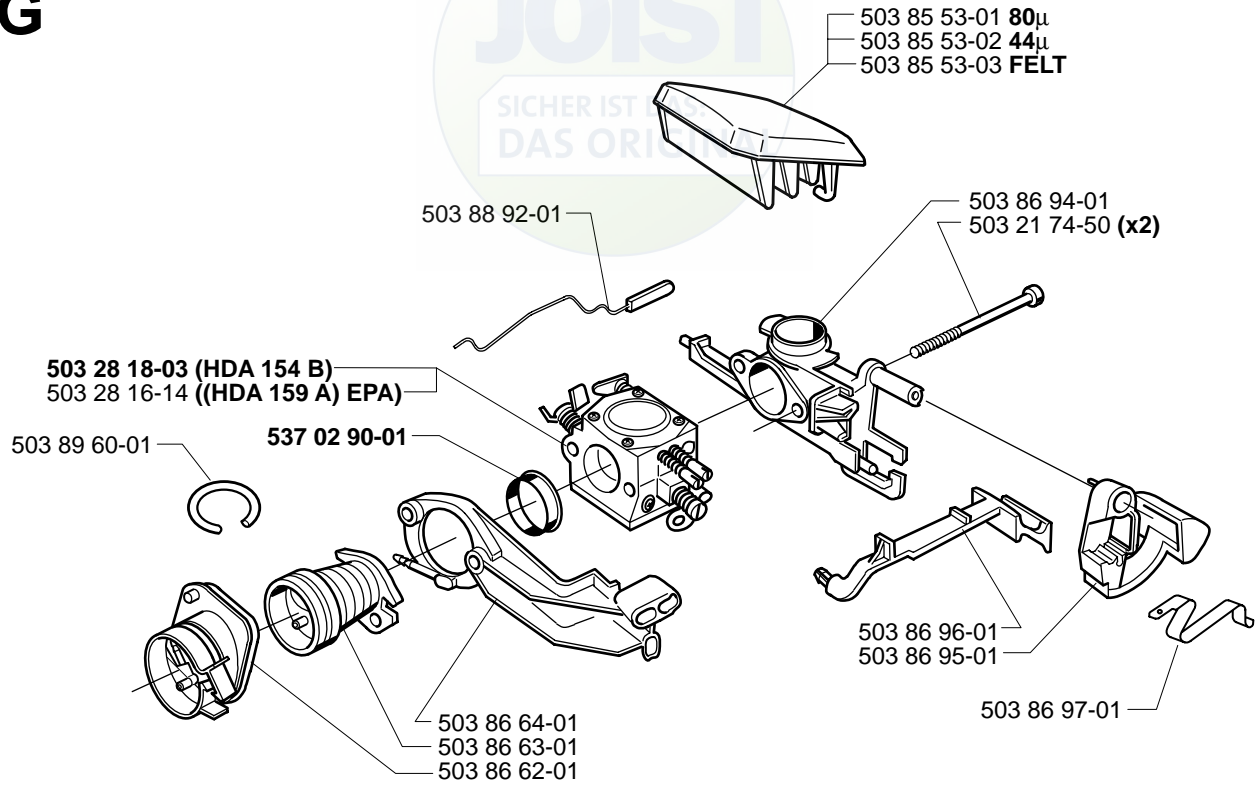


**F**

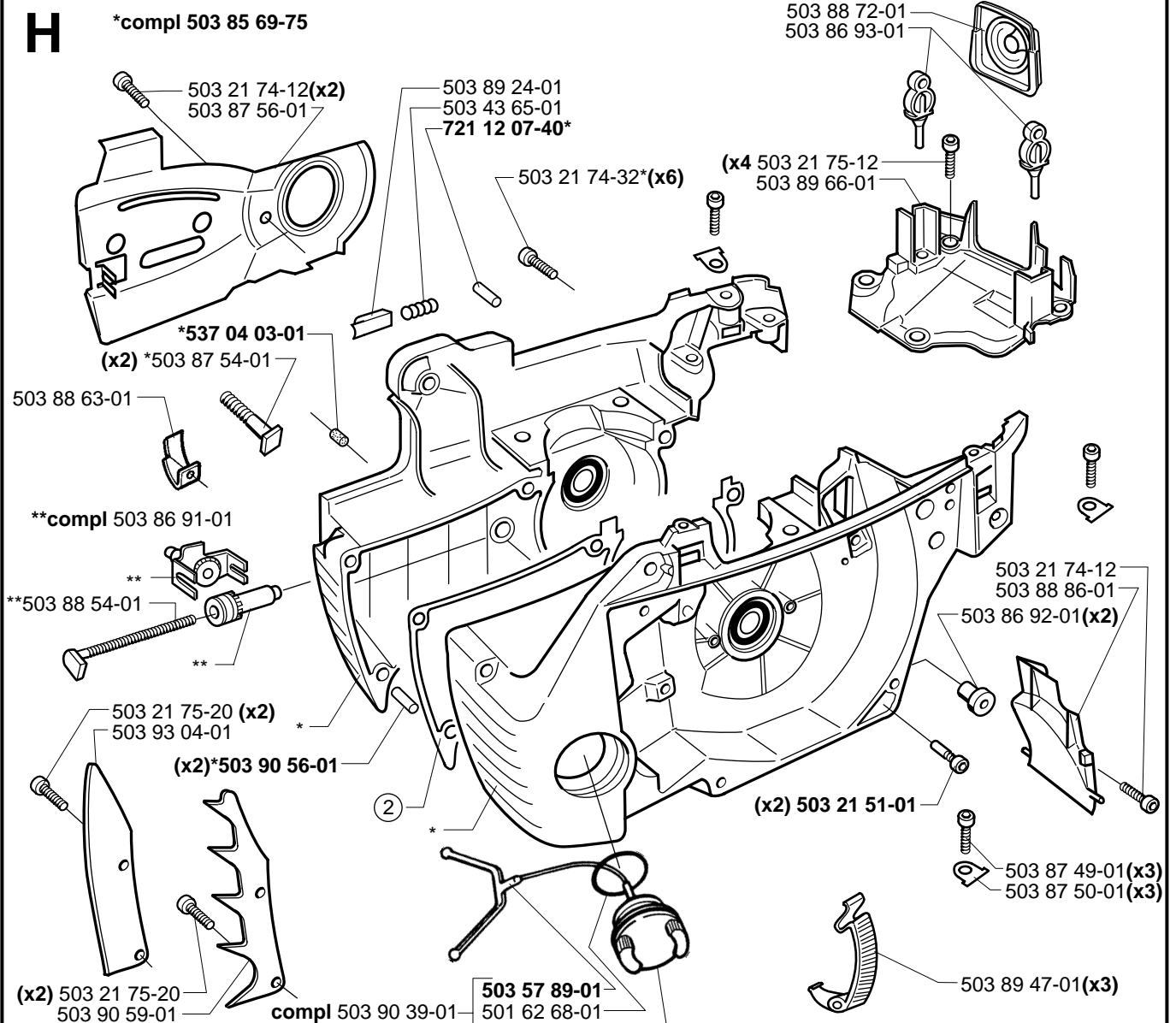
\*compl 503 86 27-02 (EU)  
\*\*compl 503 86 28-02 (DF)



**G**

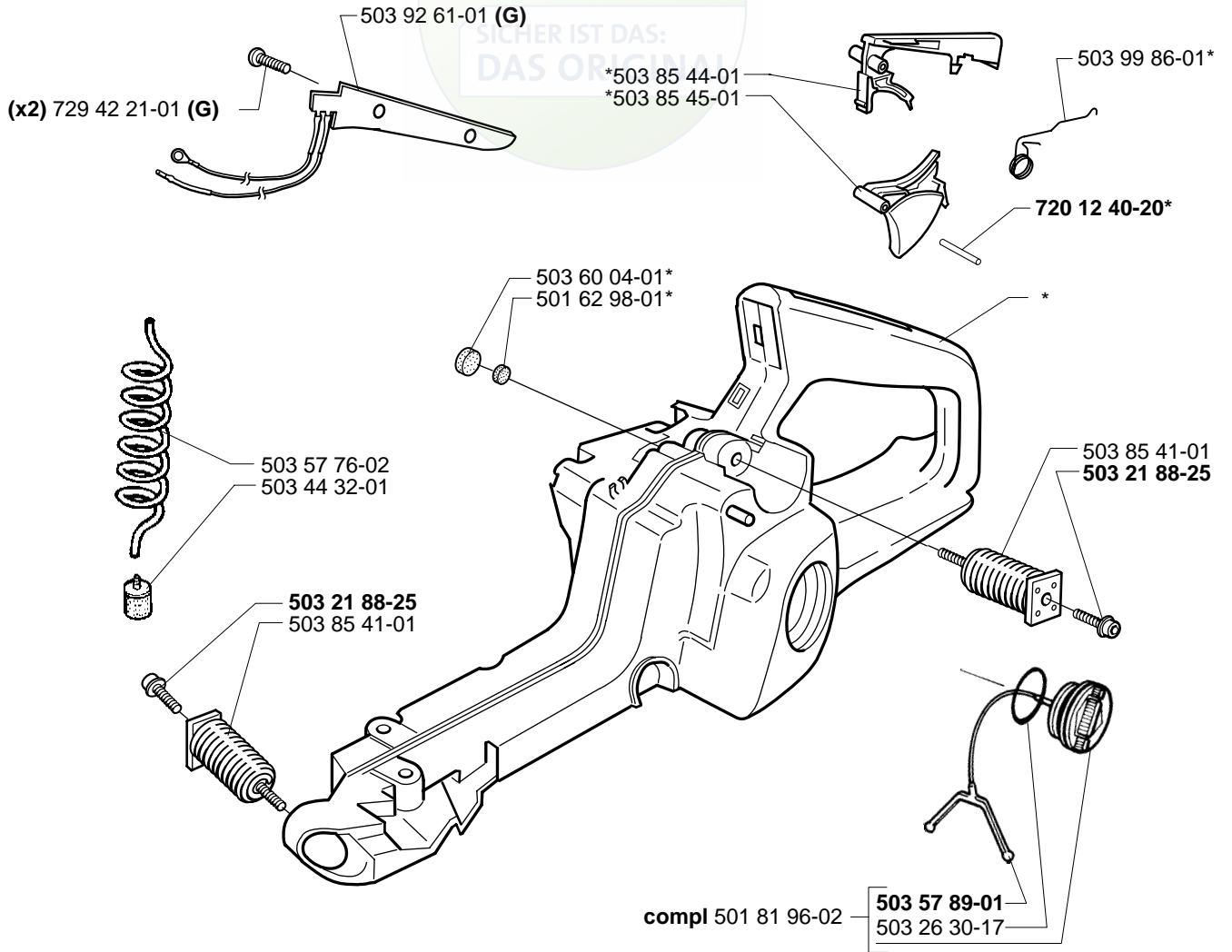


**H**



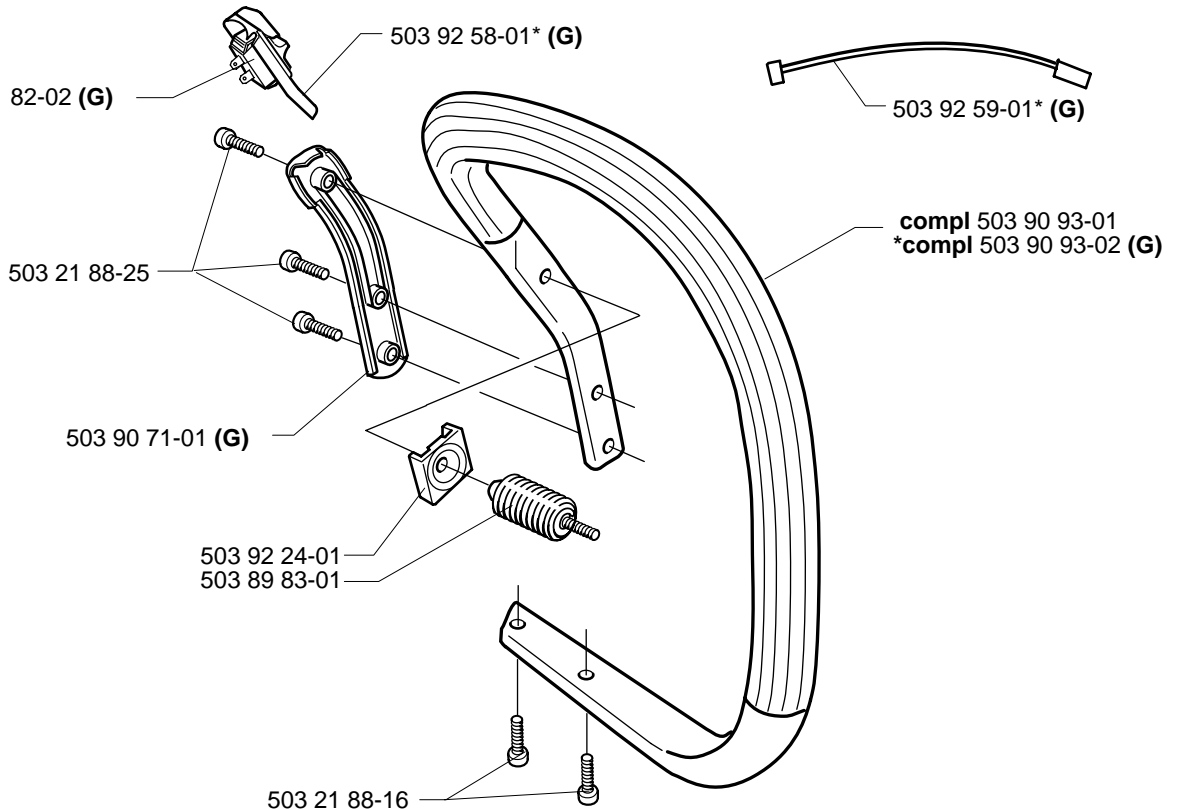
**J**

\*compl 503 86 37-71

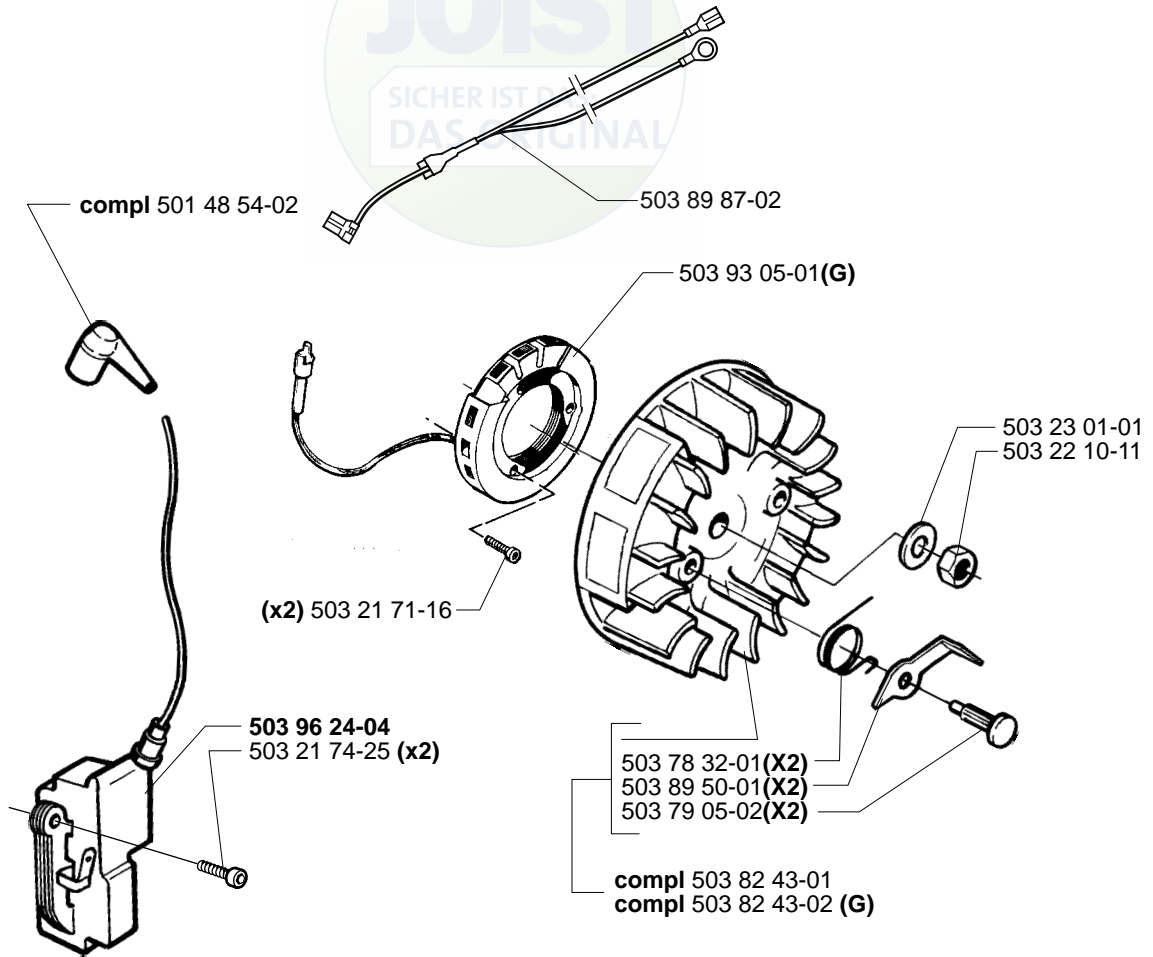


**K**

\*503 71 82-02 (G)

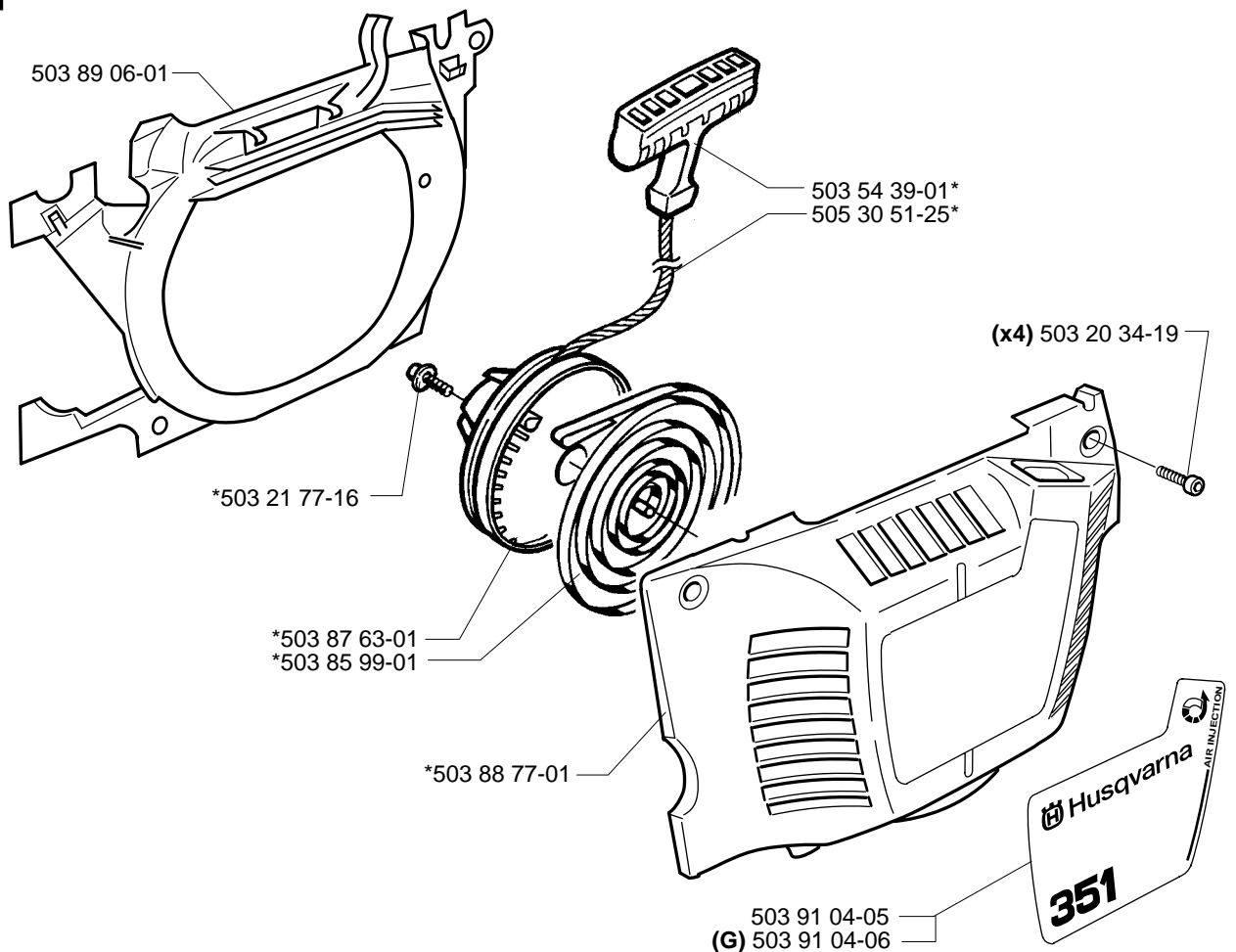


**L**

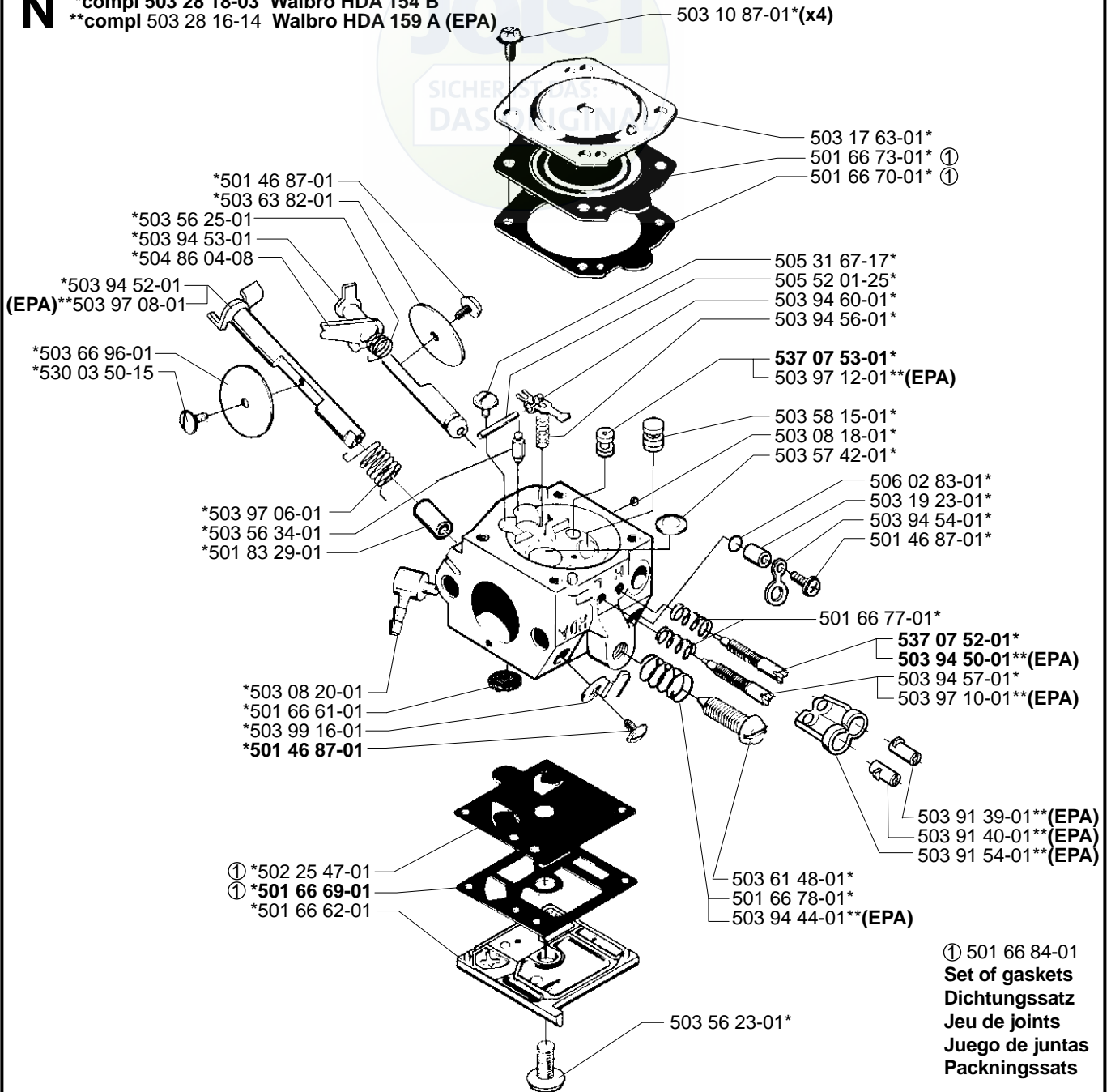


**M**

\*compl 503 88 76-01

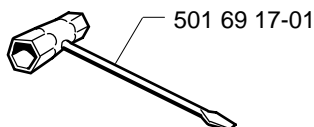
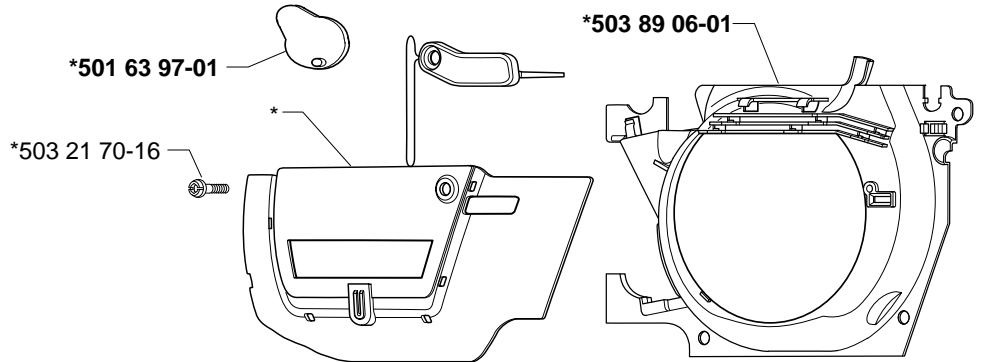


**N** \*compl 503 28 18-03 Walbro HDA 154 B  
 \*\*compl 503 28 16-14 Walbro HDA 159 A (EPA)



**P**

\*compl 537 04 28-71 WINTER KIT

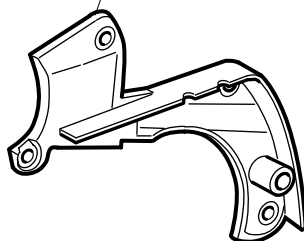


Q



**Up to 991499999**

503 89 07-01





# For Husqvarna Parts Call 606-678-9623 or 606-561-4983

MODEL 351, 351 EPA

PART NUMBER	SQUARE NOTE	PART NUMBER	SQUARE NOTE	PART NUMBER	SQUARE NOTE	PART NUMBER	SQUARE NOTE
501 45 16-01	DE	503 81 59-01	B	503 89 87-02	L		
501 45 74-02	B	503 82 43-01	L	503 89 96-71	D		
501 46 87-01	N	503 82 43-02	L	503 90 39-01	H		
501 48 54-02	L	503 85 08-02	A	503 90 56-01	H	N	
501 62 68-01	H	503 85 41-01	J	503 90 59-01	H		
501 62 98-01	J	503 85 44-01	J	503 90 71-01	K	G	
501 63 97-01	CP	503 85 45-01	J	503 90 90-01	C		
501 66 61-01	N	503 85 47-01	B	503 90 93-01	K		
501 66 62-01	N	503 85 52-01	A	503 90 93-02	K	G	
501 66 69-01	N	503 85 53-01	G	503 91 04-05	M		
501 66 70-01	N	503 85 53-02	G	503 91 04-06	M	G	
501 66 73-01	N	503 85 53-03	G	503 91 39-01	N	EPA	
501 66 77-01	N	503 85 66-01	A	503 91 40-01	N	EPA	
501 66 78-01	N	503 85 69-75	H	503 91 54-01	N	EPA	
501 66 84-01	N	503 85 76-71	E	503 92 24-01	K		
501 69 17-01	P	503 85 99-01	M	503 92 58-01	K	G	
501 81 96-02	J	503 86 25-01	D	503 92 59-01	K	G	
501 83 29-01	N	503 86 26-01	F	503 92 61-01	J	G	
502 25 47-01	N	503 86 27-02	F	503 92 95-01	A		
503 08 18-01	N	503 86 28-02	F	503 93 04-01	H		
503 08 20-01	N	503 86 36-01	F	503 93 05-01	L	G	
503 10 87-01	N	503 86 37-71	J	503 94 28-01		2 COMPL	
503 17 63-01	N	503 86 62-01	G	503 94 44-01	N	EPA	
503 19 23-01	N	503 86 63-01	G	503 94 50-01	N	N EPA	
503 20 29-87	F	503 86 64-01	G	503 94 52-01	N		
503 20 34-19	M	503 86 91-01	H	503 94 53-01	N		
503 21 51-01	H	503 86 92-01	H	503 94 54-01	N		
503 21 70-10	A	503 86 93-01	H	503 94 56-01	N		
503 21 70-16	P	503 86 94-01	G	503 94 57-01	N		
503 21 71-16	L	503 86 95-01	G	503 94 60-01	N		
503 21 74-12	BH	503 86 96-01	G	503 96 24-04	L	N	
503 21 74-25	DL	503 86 97-01	G	503 97 06-01	N		
503 21 74-32	H	503 86 99-71	D	503 97 08-01	N	EPA	
503 21 74.50	G	503 87 30-71	B	503 97 10-01	N	EPA	
503 21 75-12	H	503 87 49-01	H	503 97 12-01	N	EPA	
503 21 75-20	FH	503 87 50-01	H	503 97 13-01	D		
503 21 77-16	M	503 87 54-01	H	503 98 74-01	C	N	
503 21 88-16	K	503 87 56-01	H	503 99 16-01	N		
503 21 88-25	JK	503 87 63-01	M	503 99 86-01	J		
503 22 00-01	A	503 88 01-71	B	504 71 00-03	B		
503 22 10-11	L	503 88 54-01	H	504 86 04-08	N		
503 23 00-60	B	503 88 63-01	H	505 27 57-19	E		
503 23 01-01	L	503 88 72-01	H	505 30 51-25	M		
503 23 51-08	D	503 88 76-01	M	505 31 67-17	N		
503 25 20-02	E	503 88 77-01	M	505 52 01-25	N		
503 25 52-01	B	503 88 86-01	H	506 02 83-01	N		
503 26 30-17	J	503 88 92-01	G	530 03 50-15	N		
503 28 16-14	GN	503 89 06-01	MP	537 02 71-01	B	N	
503 28 18-03	GN	503 89 07-01	Q	537 02 90-01	G	N	
503 28 90-10	D	503 89 07-02	A	537 02 99-01	A	N	
503 43 65-01	H	503 89 08-01	A	537 04 03-01	H	N	
503 44 32-01	J	503 89 13-01	B	537 04 28-71	P	N	
503 46 59-01	A	503 89 14-01	B	537 04 30-01	A	N	
503 54 39-01	M	503 89 15-01	B	537 07 52-01	N	N	
503 56 23-01	N	503 89 16-01	B	537 07 53-01	N	N	
503 56 25-01	N	503 89 17-01	B	720 12 40-20	J	N	
503 56 34-01	N	503 89 17-02	B	721 11 64-30	B	H	
503 57 42-01	N	503 89 18-02	A	721 12 07-40	H	N	
503 57 76-02	J	503 89 20-02	B	724 12 87-59	F	N	
503 57 89-01	HJ	503 89 21-02	B	729 42 21-01	J	G	
503 58 15-01	N	503 89 24-01	H	735 31 08-20	A		
503 60 04-01	J	503 89 29-01	A	737 44 10-00	D		
503 61 48-01	N	503 89 30-01	A	738 22 02-25	E		
503 63 82-01	N	503 89 44-01	D				
503 66 54-01	D	503 89 47-01	H				
503 66 96-01	N	503 89 50-01	L				
503 71 82-02	K	503 89 60-01	G				
503 78 32-01	L	503 89 64-01	A				
503 79 05-02	L	503 89 66-01	H				
503 81 56-01	B	503 89 83-01	K				

1 = 501 66 84-01  
2 = 503 94 28-01

Set of gaskets  
Dichtungssatz  
Jeu de joints  
Juego de juntas  
Packningssats

N = New part  
Neues teil  
Nouvelle piece  
Nueva pieza  
Ny detalj

EPA = Environmental Protection Agency