


Service
Handwritten: 10.07.01
Husqvarna

SERVICE			4
			10100094

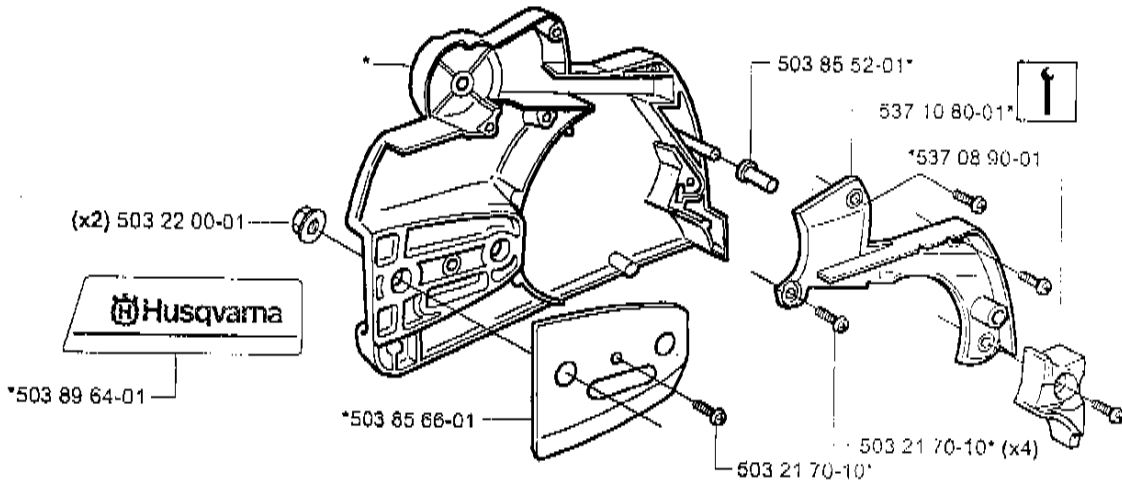
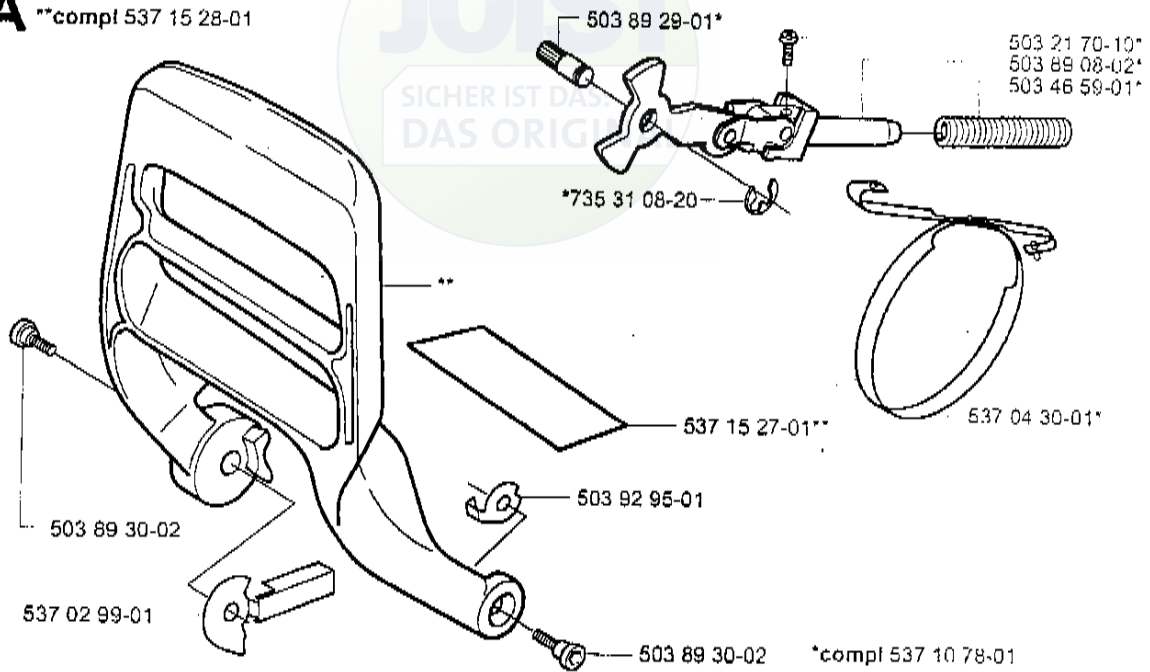
SICHER IST DAS:
DAS ORIGINAL

IPL, 346 XP, 2001-06, 106 25 44-63

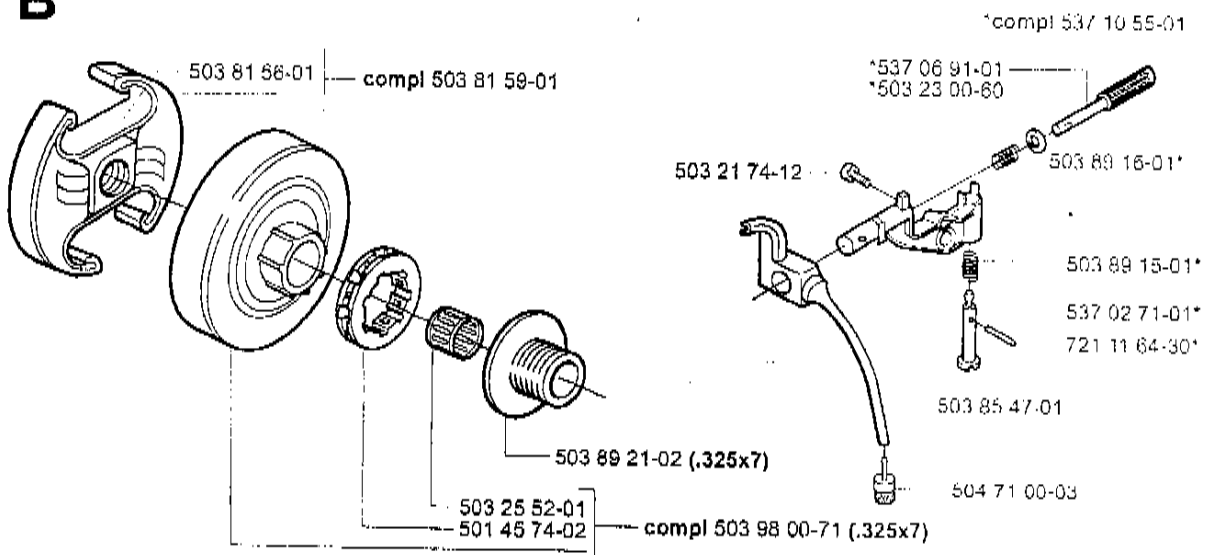
346 XP

Spare parts	Replaces	
Ersatzteile	Ersetzt	
Pièces détachées	Remplace	
Reserve onderdelen	Vervangt	
Repuestos	Reemplaza	
Reservdelar	Ersätter	106 25 44-61

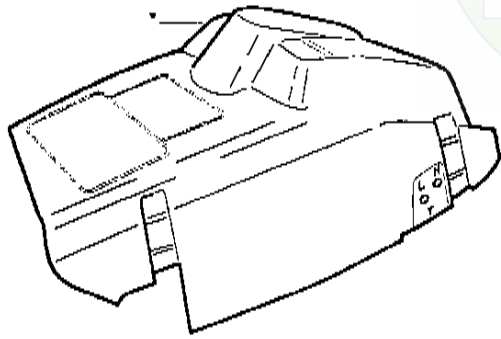
A **compl 537 15 28-01



B



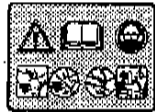
C *compl 503 90 90-02



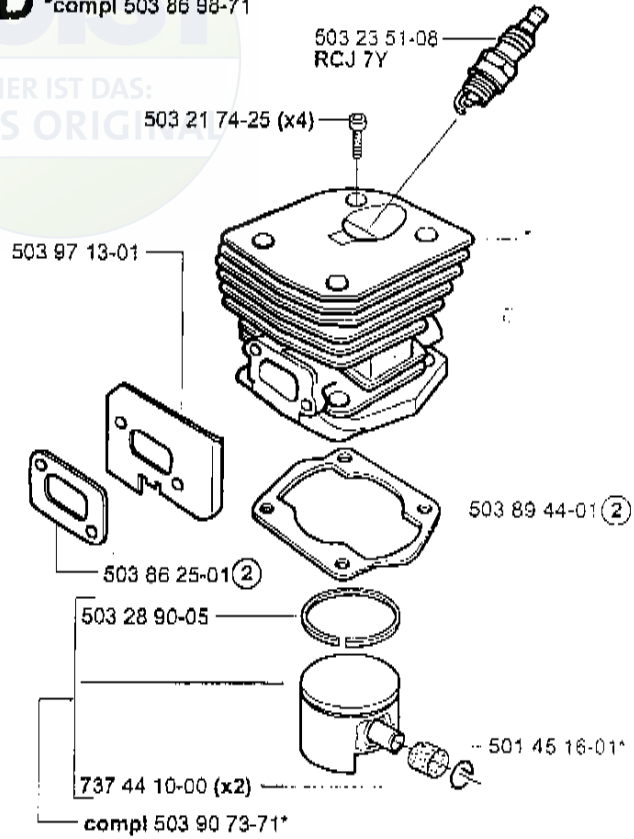
*501 63 97-01

-- 503 84 59-01*

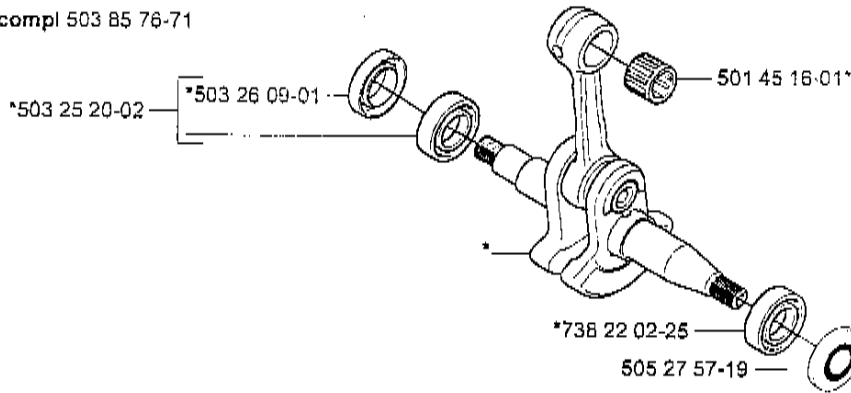
*503 98 74-01



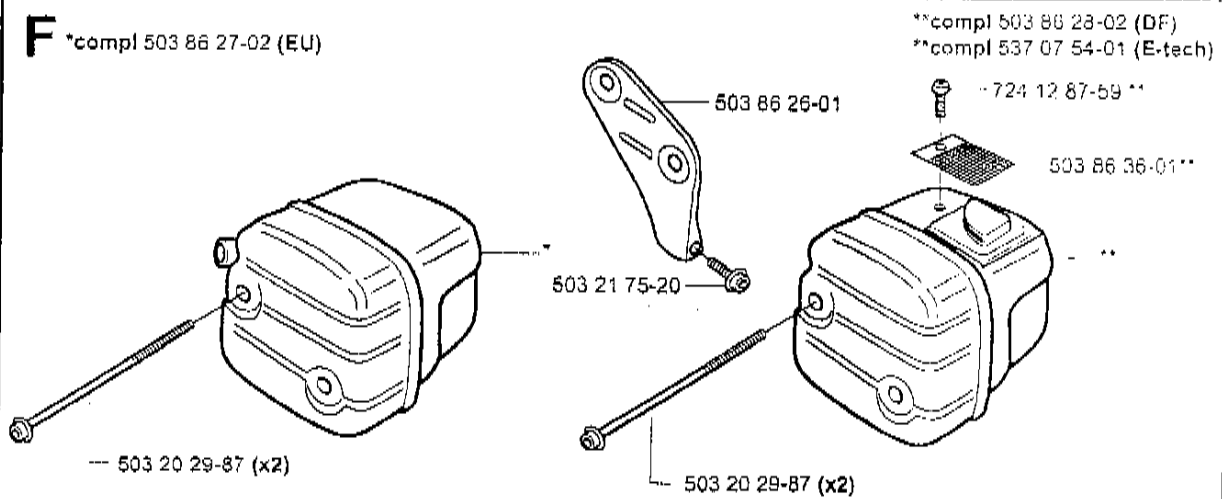
D *compl 503 86 98-71



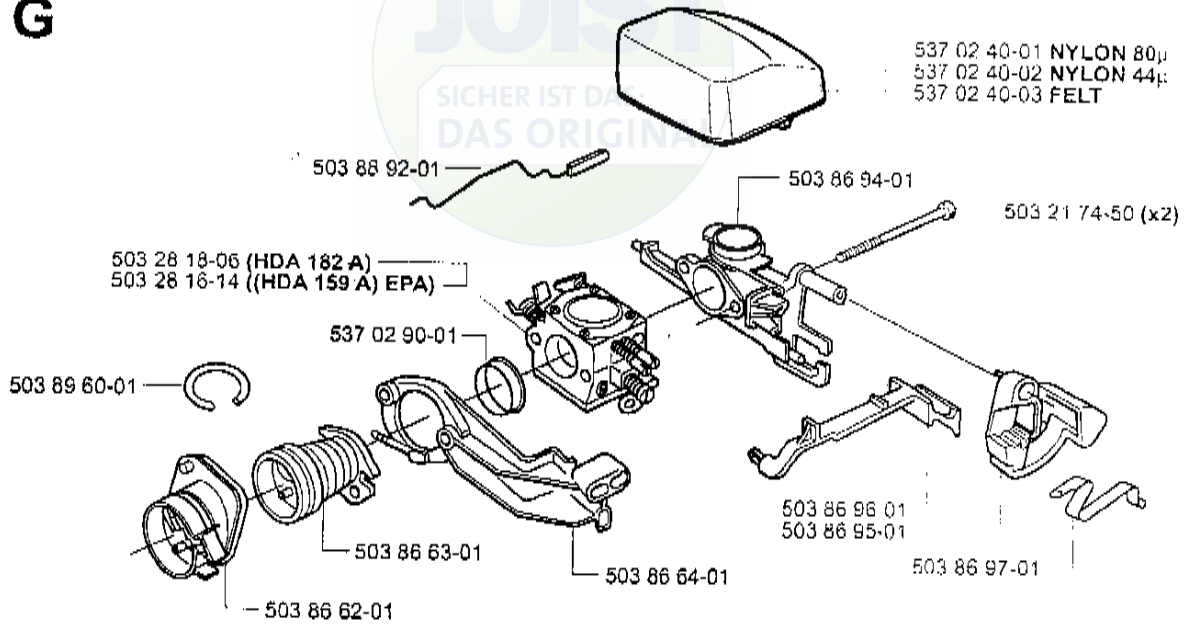
E *compl 503 85 76-71



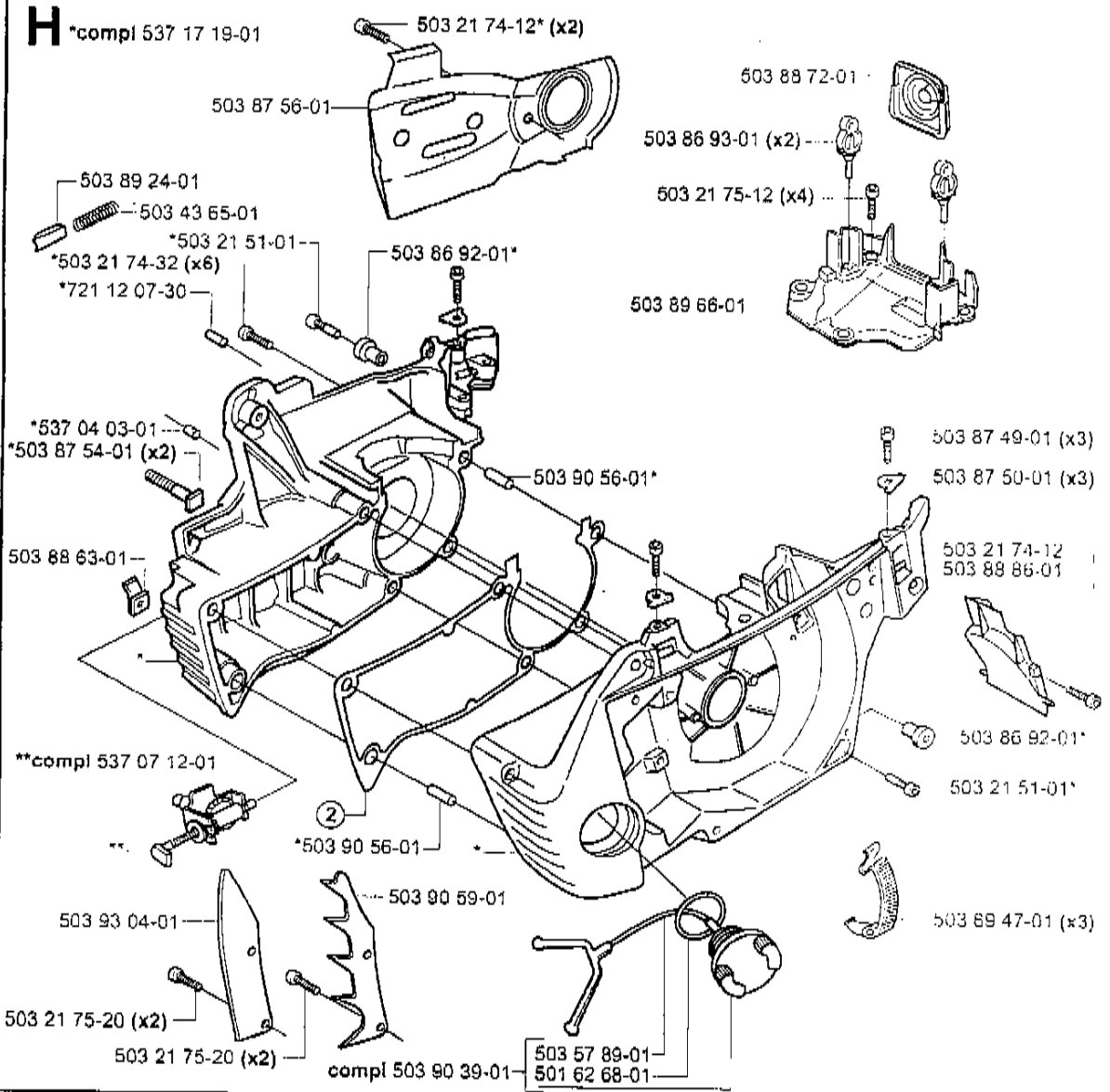
F *compl 503 86 27-02 (EU)



G



H



J *compl 503 86 37-71

(XPG)729 42 21-01 (x2)

503 92 61-01 (XPG)

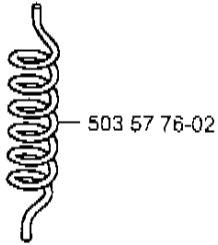
SICHER IST DAS:
DAS ORIGINAL

*503 85 44-01

503 99 86-01*

*503 85 45-01

720 18 25-20*



503 57 76-02

503 60 04-01*
501 62 98-01*

503 44 32-01

503 21 88-25

503 85 41-01

503 85 41-01

503 21 88 25

503 57 89-01
503 26 30-17
compl 501 81 96-02
compl 501 81 96-03 (E-tech)

K *compl 503 90 93-01 **compl 503 90 93-02 (XPG)

**503 71 82-02 (XPG)

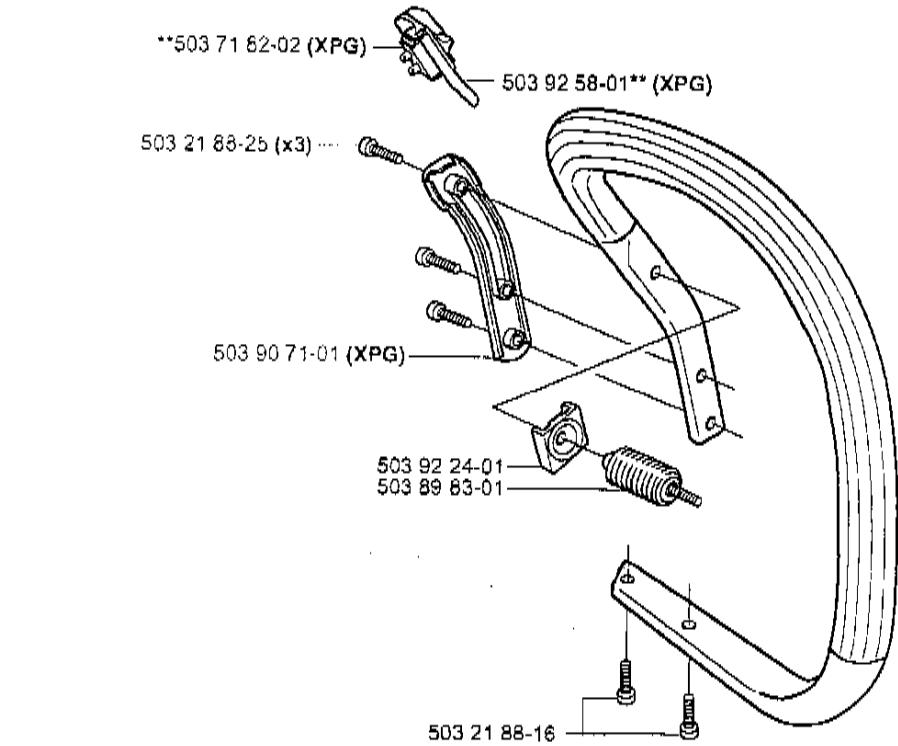
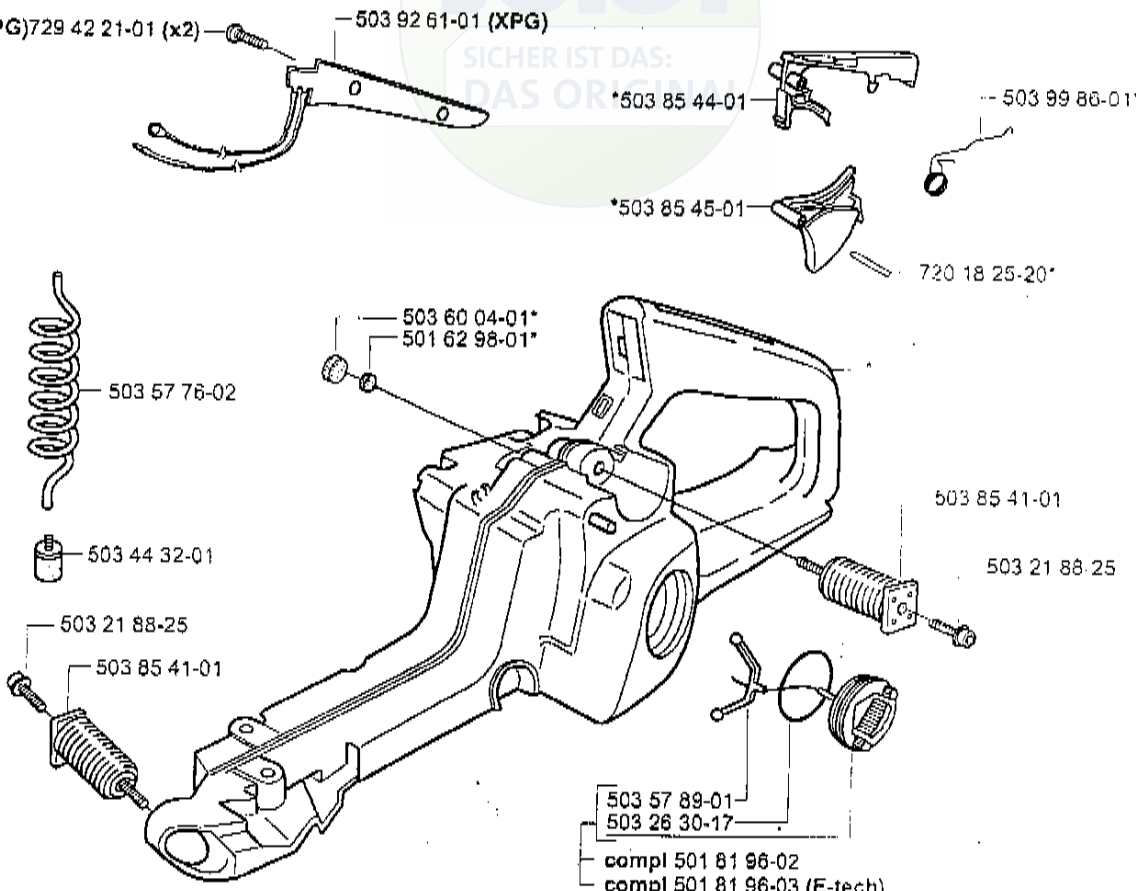
503 92 58-01** (XPG)

503 21 88-25 (x3)

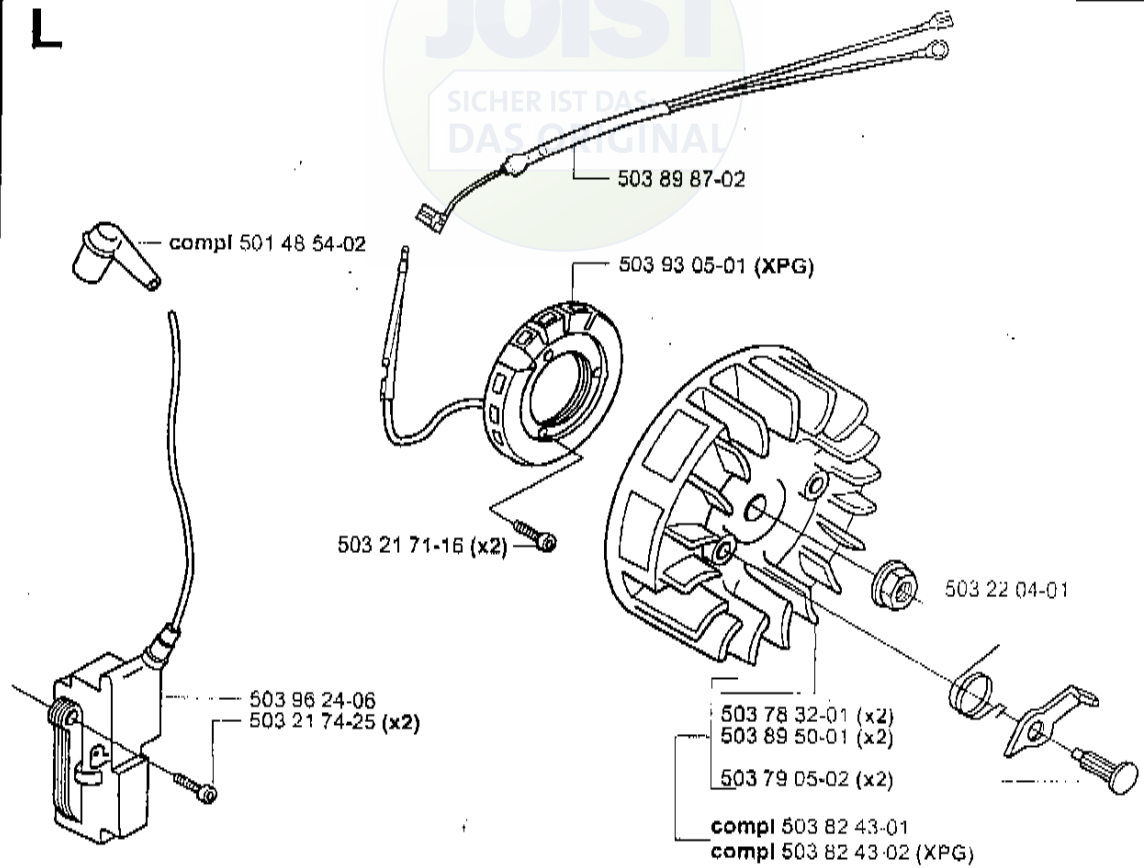
503 90 71-01 (XPG)

503 92 24-01
503 89 83-01

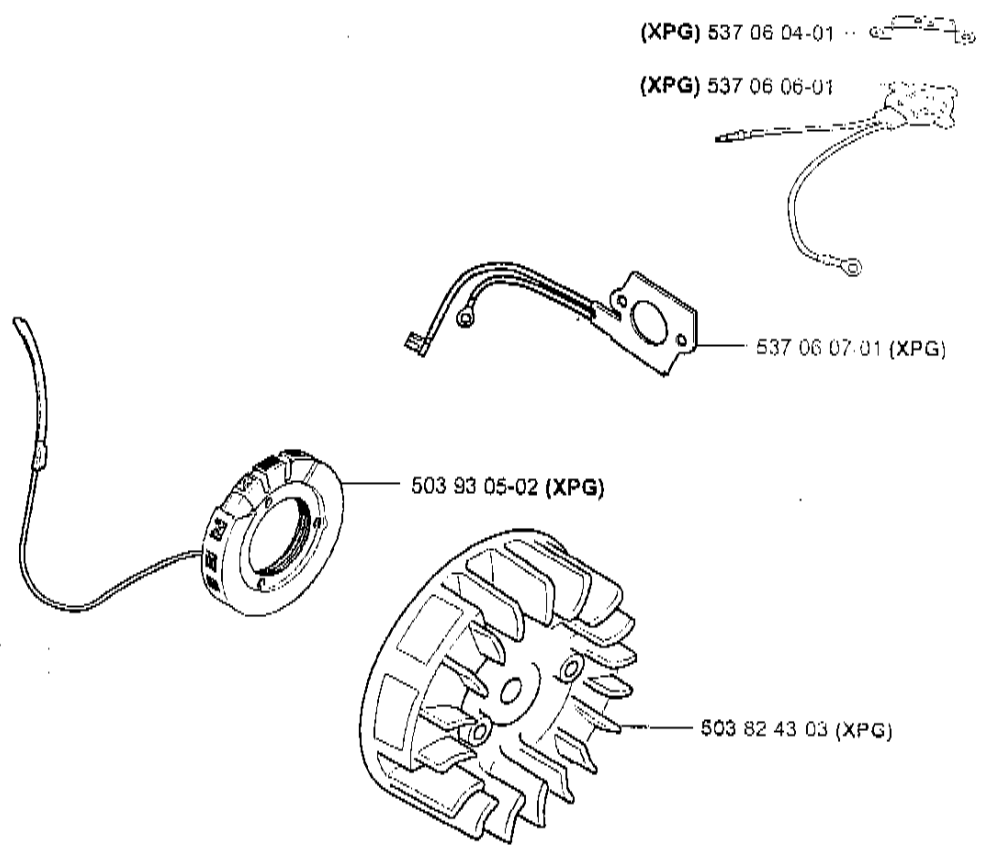
503 21 88-16



L

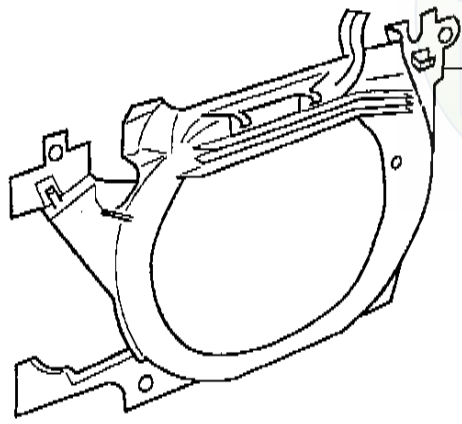
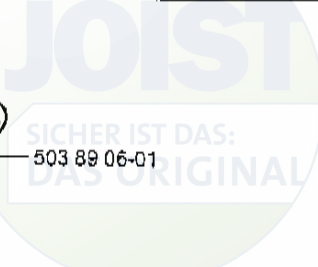


Heated carburettor



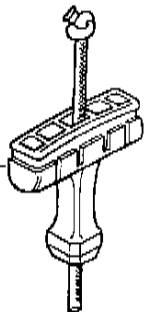
M

*compl 537 10 47-01



503 89 06-01

*503 54 39-01



*503 21 77-16

505 30 51-25*

537 09 25-01*



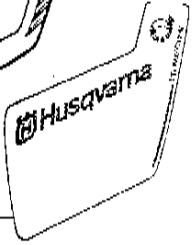
501 63 06-01*

*503 21 29-10 (x2)

537 09 31-01*

503 20 34-19 (x4)

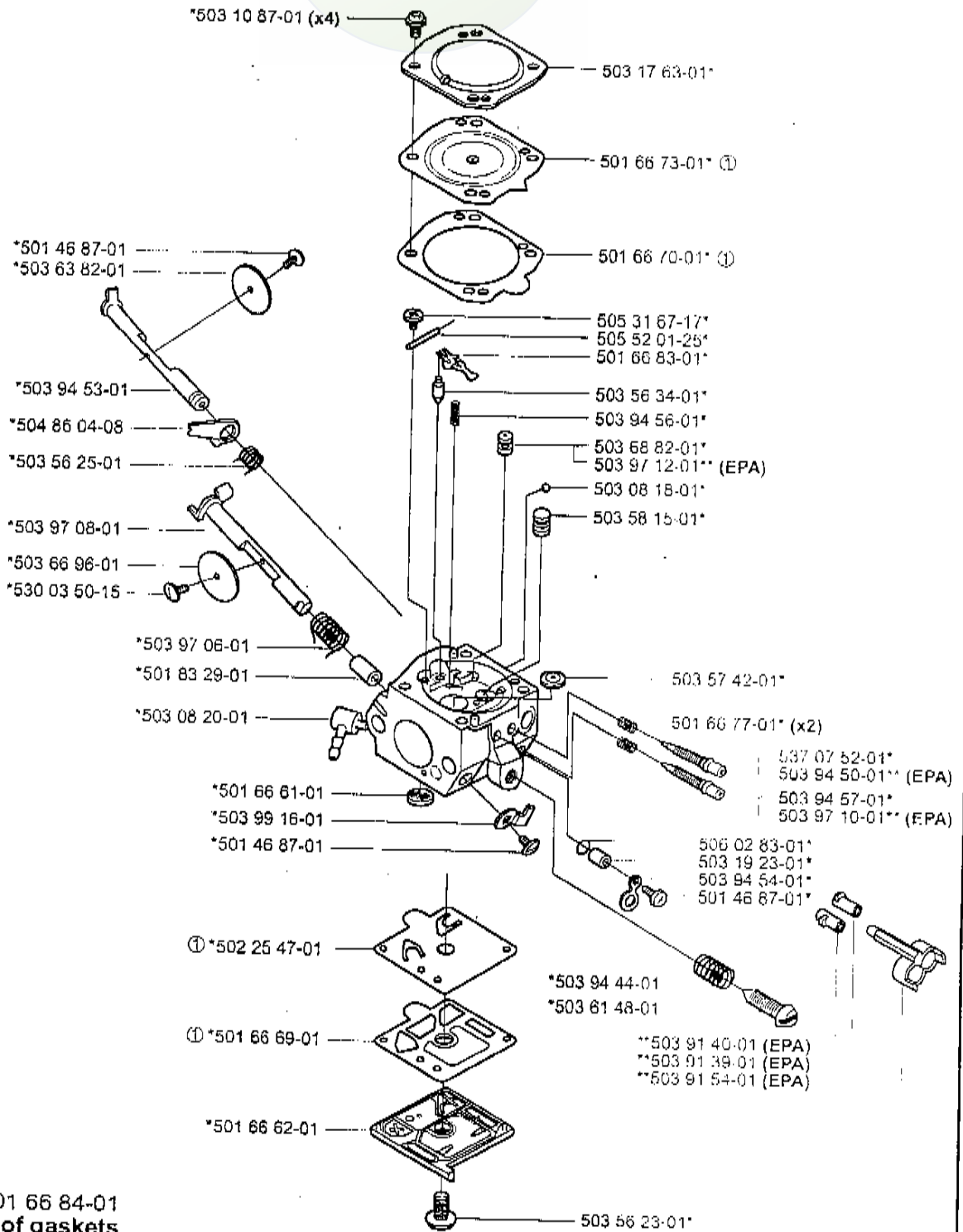
*537 10 27-01



- (XP) 503 91 04-03
- (XPG) 503 91 04-04
- (XPG Heated carburettor) 503 91 04-16
- (XP E-tech) 503 91 04-08
- (XPG E-tech) 503 91 04-09
- (XPG Heated carburettor E-tech) 503 91 04-16

N *compl 503 28 18-06 Walbro HDA 182 A
 **compl 503 28 16-14 Walbro HDA 159 A (EPA)

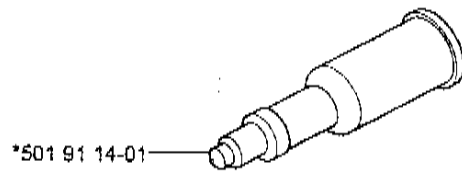
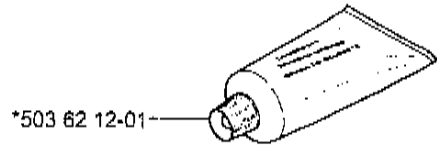
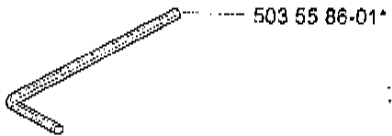
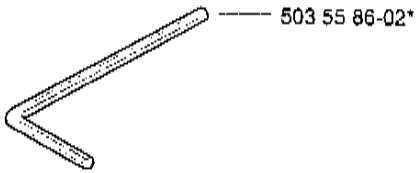
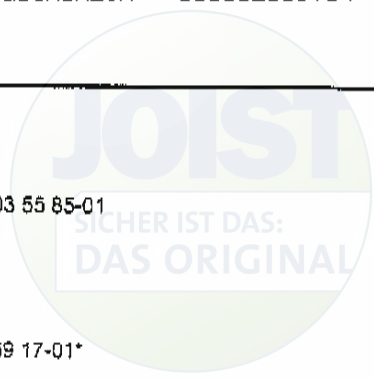
SICHER IST DAS:
 DAS ORIGINAL



① 501 66 84-01
 Set of gaskets
 Dichtungssatz
 Jeu de joints
 Juego de juntas
 Packningssats

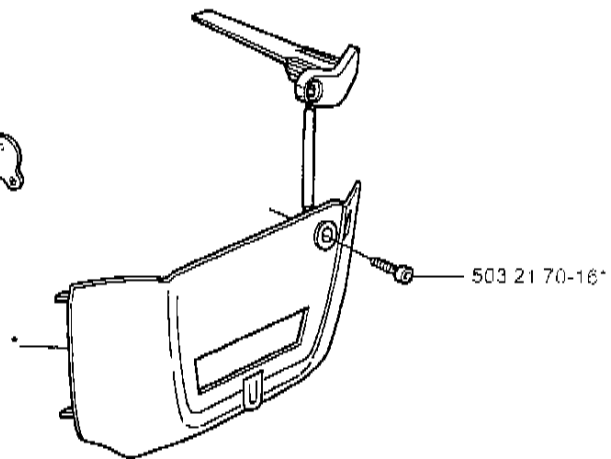
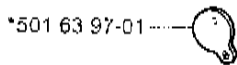
P Tillbehör
Accessories
Zubehöre
Accessoires
Accesorios

*compl 503 55 85-01



WINTER KIT

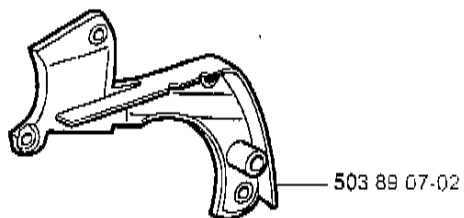
*compl 537 04 28-71



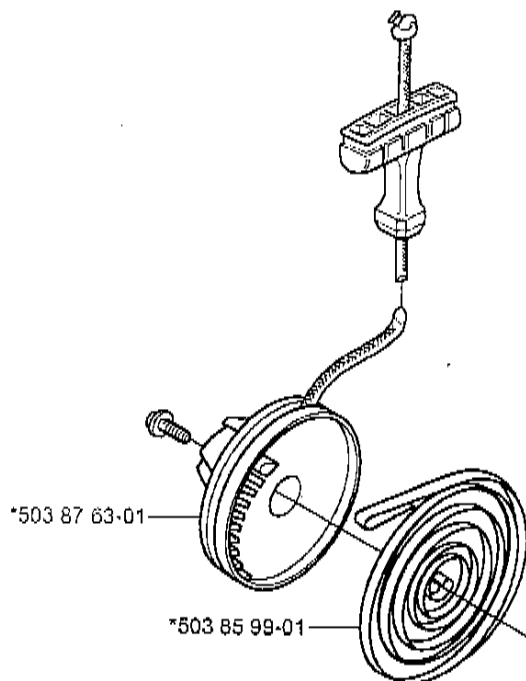
Q



Up to 004100041



Up to 010700001



PART NUMBER	SQUARE NOTE	PART NUMBER	SQUARE NOTE	PART NUMBER	SQUARE NOTE	PART NUMBER	SQUARE NOTE
501 45 16-01	D,E	503 53 82-01	N	503 91 04-03	M	721 12 07-30	H N
501 45 74-02	B	503 66 96-01	N	503 91 04-04	M	724 12 87-59	F
501 46 87-01	N N	503 68 82-01	N	503 91 04-08	M N	729 47 21-01	J
501 48 54-02	L	503 71 82-02	K	503 91 04-09	M N	735 31 08-20	A
501 62 68-01	H	503 78 32-01	L	503 91 04-15	M N	737 44 10-00	D
501 62 98-01	J	503 79 05-02	L	503 91 04-16	M N	738 22 02-25	E
501 63 06-01	M N	503 81 56-01	B	503 91 39-01	N EPA		
501 63 97-01	C,P N	503 81 59-01	B	503 91 40-01	N EPA		
501 66 61-01	N	503 82 43-01	L	503 91 54-01	N EPA		
501 66 62-01	N	503 82 43-02	L	503 92 24-01	K		
501 66 69-01	N N,1	503 82 43-03	L N	503 92 58-01	K		
501 66 70-01	N 1	503 84 59-01	C N	503 92 61-01	J		
501 66 73-01	N 1	503 85 41-01	J	503 92 95-01	A		
501 66 77-01	N	503 85 44-01	J	503 93 04-01	H		
501 66 83-01	N N	503 85 45-01	J	503 93 05-01	L		
501 66 84-01	N 1=compl	503 85 47-01	B	503 93 05-02	L N		
501 69 17-01	P	503 85 52-01	A	503 94 28-01	N 2=compl		
501 81 96-02	J	503 85 66-01	A	503 94 44-01	N		
501 81 96-03	J N	503 85 76-71	E	503 94 50-01	N N,EPA		
501 83 29-01	N	503 85 99-01	Q	503 94 53-01	N		
501 91 14-01	P	503 86 25-01	D 2	503 94 54-01	N		
502 25 47-01	N 1	503 86 26-01	F	503 94 56-01	N		
503 08 18-01	N	503 86 27-02	F	503 94 57-01	N		
503 08 20-01	N	503 86 28-02	F	503 96 24-06	L N		
503 10 87-01	N	503 86 36-01	F	503 97 06-01	N		
503 17 63-01	N	503 86 37-71	J	503 97 08-01	N		
503 19 23-01	N	503 86 62-01	G	503 97 10-01	N EPA		
503 20 29-87	F	503 86 63-01	G	503 97 12-01	N EPA		
503 20 34-19	M	503 86 64-01	G	503 97 13-01	D		
503 21 29-10	M N	503 86 92-01	H	503 98 00-71	B N		
503 21 51-01	H N	503 86 93-01	H	503 98 74-01	C		
503 21 70-10	A	503 86 94-01	G	503 99 16-01	N		
503 21 70-16	PL	503 86 95-01	G	503 99 86-01	J		
503 21 74-12	B,H	503 86 96-01	G	504 71 00-03	B		
503 21 74-25	D,L	503 86 97-01	G	504 86 04-08	N		
503 21 74-32	H	503 86 98-71	D	505 27 57-19	E		
503 21 74-50	G	503 87 49-01	H	505 30 51-25	M		
503 21 75-12	H	503 87 50-01	H	505 31 67-17	N		
503 21 75-20	F,H	503 87 54-01	H	505 52 01-25	N		
503 21 77-16	M	503 87 56-01	H	506 02 63-01	N		
503 21 88-16	K	503 87 63-01	Q	530 03 50-15	N		
503 21 88-25	J,K N	503 88 63-01	H	537 02 40-01	G N		
503 22 00-01	A N	503 88 72-01	H	537 02 40-02	G N		
503 22 04-01	L N	503 88 86-01	H	537 02 40-03	G N		
503 23 00-60	B	503 88 92-01	G	537 02 71-01	B N		
503 23 51-08	D	503 89 06-01	M	537 02 90-01	G N		
503 25 20-02	E	503 89 07-02	Q	537 02 99-01	A		
503 25 52-01	B	503 89 08-02	A N	537 04 03-01	H N		
503 26 09-01	E N	503 89 15-01	B	537 04 28-71	P N		
503 26 30-17	J	503 89 16-01	B	537 04 30-01	A		
503 28 16-14	G,N EPA	503 89 21-02	B	537 06 04-01	L N		
503 28 18-06	G,N N	503 89 24-01	H	537 06 06-01	L N		
503 28 90-05	D	503 89 29-01	A	537 06 07-01	L N		
503 43 65-01	H	503 89 30-02	A N	537 06 91-01	B N		
503 44 32-01	J	503 89 44-01	D 2	537 07 12-01	H N		
503 46 59-01	A	503 89 47-01	H	537 07 52-01	N N		
503 54 39-01	M	503 89 50-01	L	537 07 54-01	F N		
503 55 85-01	P	503 89 60-01	G	537 08 90-01	A N		
503 55 86-01	P	503 89 64-01	A	537 09 25-01	M N		
503 55 86-02	P	503 89 66-01	H	537 09 31-01	M N		
503 56 23-01	N	503 89 83-01	K	537 10 27-01	M N		
503 56 25-01	N	503 89 87-02	L	537 10 47-01	M N		
503 56 34-01	N	503 90 39-01	H	537 10 55-01	B N		
503 57 42-01	N	503 90 56-01	H	537 10 78-01	A N		
503 57 76-02	J	503 90 59-01	H	537 10 80-01	A N		
503 57 89-01	H,J	503 90 71-01	K	537 15 27-01	A N		
503 58 15-01	N	503 90 73-71	D	537 15 28-01	A N		
503 60 04-01	J	503 90 90-02	C N	537 17 19-01	H N		
503 61 48-01	N	503 90 93-01	K	720 18 25-20	J N		
503 62 12-01	P	503 90 93-02	K	721 11 64-30	B		

1 = 501 66 84-01
2 = 503 94 28-01

Set of gaskets
Dichtungssatz
Jeu de joints
Juego de juntas
Packningsats

N = New part
Neues teil
Nouvelle piece
Nueva pieza
Ny detalj